



US00D771001S

(12) **United States Design Patent** (10) **Patent No.:** **US D771,001 S**
Reivo et al. (45) **Date of Patent:** **** *Nov. 8, 2016**

- (54) **HANDSET**
- (71) Applicant: **Microsoft Mobile Oy**, Espoo (FI)
- (72) Inventors: **Tuomas Reivo**, Helsinki (FI);
Franziska Faoro, Deventer (NL);
Robert Lihou, Kent (GB)
- (73) Assignee: **Microsoft Mobile Oy**, Espoo (FI)

- D592,168 S 5/2009 Bai et al.
- D592,629 S 5/2009 Bai et al.
- D593,525 S * 6/2009 Wang D14/138 AD
- D594,356 S 6/2009 Riddiford
- D594,437 S 6/2009 Kim et al.
- D595,681 S 7/2009 Bjorninen et al.
- D598,426 S * 8/2009 Kim D14/203.7
- D603,362 S 11/2009 Kim et al.
- D617,755 S 6/2010 Leinvuo

(Continued)

(*) Notice: This patent is subject to a terminal disclaimer.

FOREIGN PATENT DOCUMENTS

(**) Term: **14 Years**

IN D242716 1/2012

(21) Appl. No.: **29/510,127**

OTHER PUBLICATIONS

(22) Filed: **Nov. 25, 2014**

Nokia N9, announced Jun. 2011, [online], [retrieved on Aug. 19, 2011]. Retrieved from Internet ,<URL: <http://www.gsmarena.com>>.*

Related U.S. Application Data

(Continued)

(63) Continuation of application No. 29/440,945, filed on Dec. 28, 2012, now Pat. No. Des. 724,044.

(51) **LOC (10) Cl.** **14-03**

Primary Examiner — Bridget L Eland

(52) **U.S. Cl.** **D14/138 G**

(74) *Attorney, Agent, or Firm* — Banner & Witcoff, Ltd.

(58) **Field of Classification Search**
USPC .. D14/138 G, 138 AD, 248, 138 R, 138 AC,
D14/247, 137, 341-347
CPC H04M 1/0202; H04M 1/0235; H04M
1/0237; H04M 1/0239; H04M 1/0266;
H04M 1/0268; H04M 1/027; H04M 1/0295
See application file for complete search history.

(57) **CLAIM**

The ornamental design for a handset, as shown and described.

(56) **References Cited**

DESCRIPTION

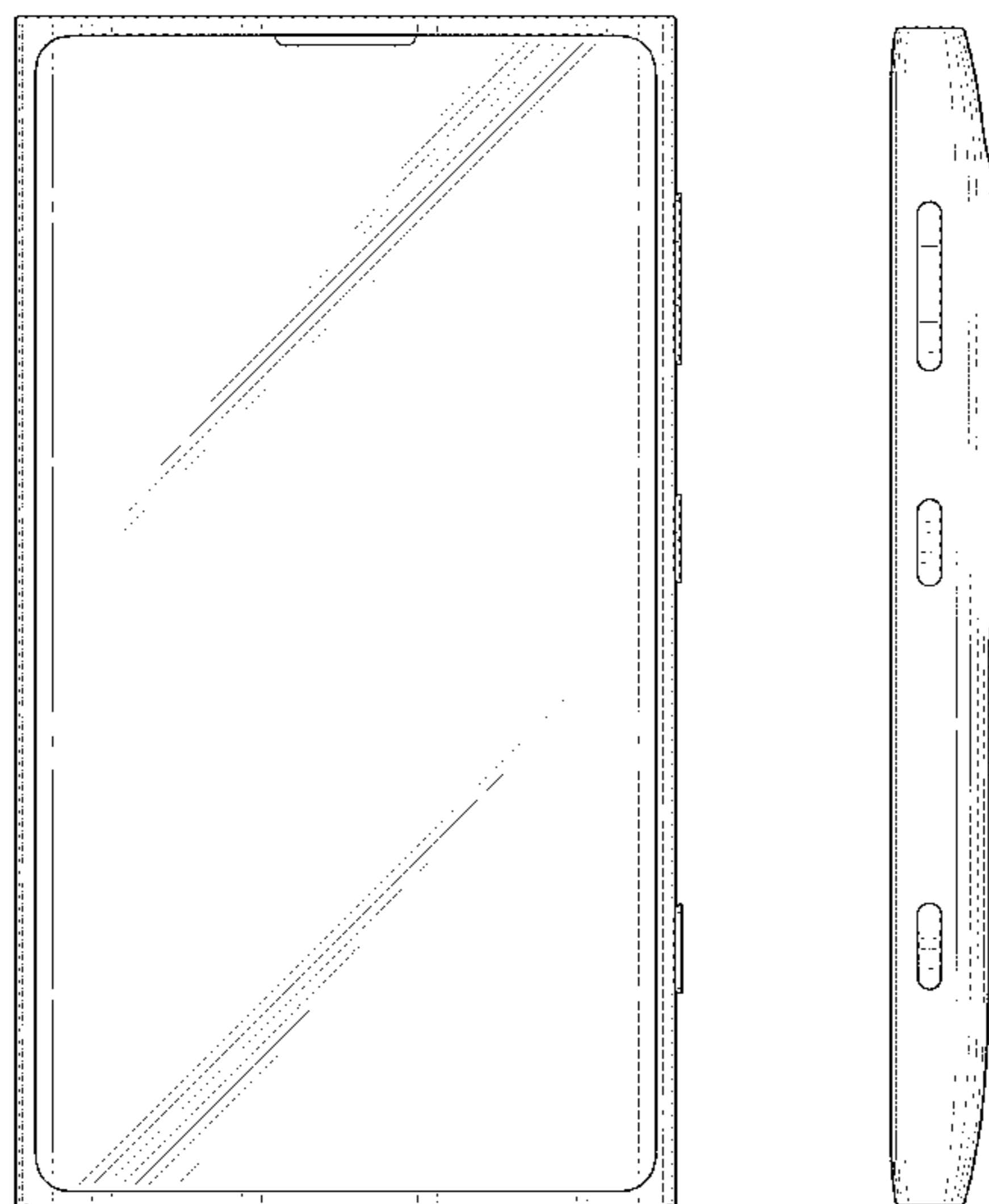
U.S. PATENT DOCUMENTS

FIG. 1 is a perspective view of a handset showing my new design;
FIG. 2 is a front view thereof;
FIG. 3 is a rear view thereof;
FIG. 4 is a left side view thereof;
FIG. 5 is a right side view thereof;
FIG. 6 is a top view thereof; and,
FIG. 7 is a bottom view thereof.

- D490,390 S 5/2004 Johansson
- D518,806 S 4/2006 Husgafvel
- D526,302 S 8/2006 Kim
- D551,201 S 9/2007 Kim et al.
- D566,678 S 4/2008 Jensfelt
- D578,987 S * 10/2008 Lee D14/138 AD

The broken lines immediately adjacent to the shaded areas represent the bounds of the claimed design; the broken lines form no part of the claimed design.

1 Claim, 5 Drawing Sheets



(56)

References Cited

U.S. PATENT DOCUMENTS

D617,757 S 6/2010 Kim et al.
 D639,277 S * 6/2011 Alvarado D14/218
 D646,661 S 10/2011 Kim
 D648,712 S 11/2011 Brickstad
 D650,347 S 12/2011 Wong
 D650,350 S 12/2011 Wong
 D652,403 S 1/2012 Fahlgren et al.
 D654,464 S * 2/2012 Han D14/138 G
 D658,620 S 5/2012 Lylyk
 D658,621 S 5/2012 Lylyk
 D662,072 S 6/2012 Fahlgren et al.
 D662,486 S 6/2012 Faoro
 D665,372 S * 8/2012 Park D14/138 G
 D665,763 S 8/2012 Tsai et al.
 D665,766 S 8/2012 Eguchi
 D666,980 S 9/2012 Faoro
 D669,875 S * 10/2012 Kim D14/138 G
 D672,329 S 12/2012 Fahlgren et al.
 D672,741 S 12/2012 Lylyk
 D673,132 S 12/2012 Cho
 D673,926 S 1/2013 Fahlgren et al.
 D675,177 S * 1/2013 Kim D14/138 G
 D680,092 S * 4/2013 Tsai D14/138 G
 D680,985 S 4/2013 Kangasmaa
 D684,946 S 6/2013 Ryu
 D689,837 S 9/2013 Kangasmaa
 D702,681 S 4/2014 Sugiyama et al.

D713,371 S * 9/2014 Daniel D14/138 G
 D724,044 S * 3/2015 Reivo D14/138 G
 D735,703 S * 8/2015 Reivo D14/248
 D758,334 S * 6/2016 Du D14/138 G

OTHER PUBLICATIONS

Nokia Lumia 920, announced Sep. 2012, [online], [retrieved on Sep. 12, 2012]. Retrieved from Internet, <URL: <http://www.gsmarena.com>>.*
 Nokia N9, announced Jun. 2011, [online], [retrieved on Aug. 19, 2011]. Retrieved from Internet, <URL: <http://www.gsmarena.com>>.
 Nokia Lumia 800, announced Oct. 2011, [online], [retrieved on Oct. 26, 2011]. Retrieved from Internet, <URL:<http://www.gsmarena.com>>.
 Nokia Lumia 900, announced Jan. 2012, [online], [retrieved on Feb. 3, 2012]. Retrieved from Internet, <Url:<http://www.gsmarena.com>>.
 HTC MAX 4G, announced Nov. 2008, [online], [retrieved on Nov. 14, 2008]. Retrieved from Internet, <URL:<http://www.gsmarena.com>>.
 Huawei U9000 IDEOS X6, announced Dec. 2010, [online], [retrieved on Jan. 6, 2011]. Retrieved from Internet, <URL:<http://www.gsmarena.com>>.
 Office Action received in corresponding India Application No. 254844 issued on Oct. 28, 2013.

* cited by examiner

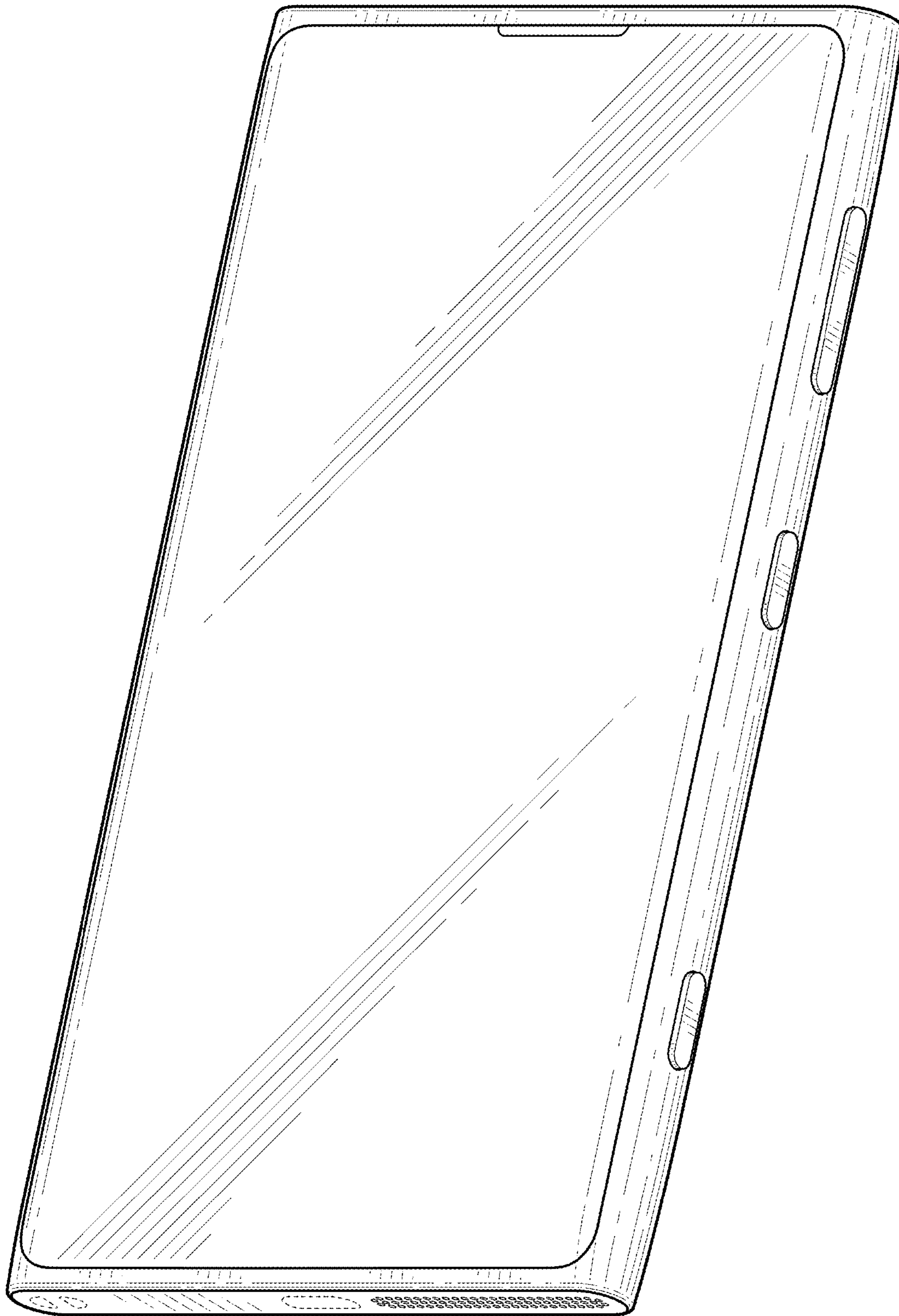


FIG. 1

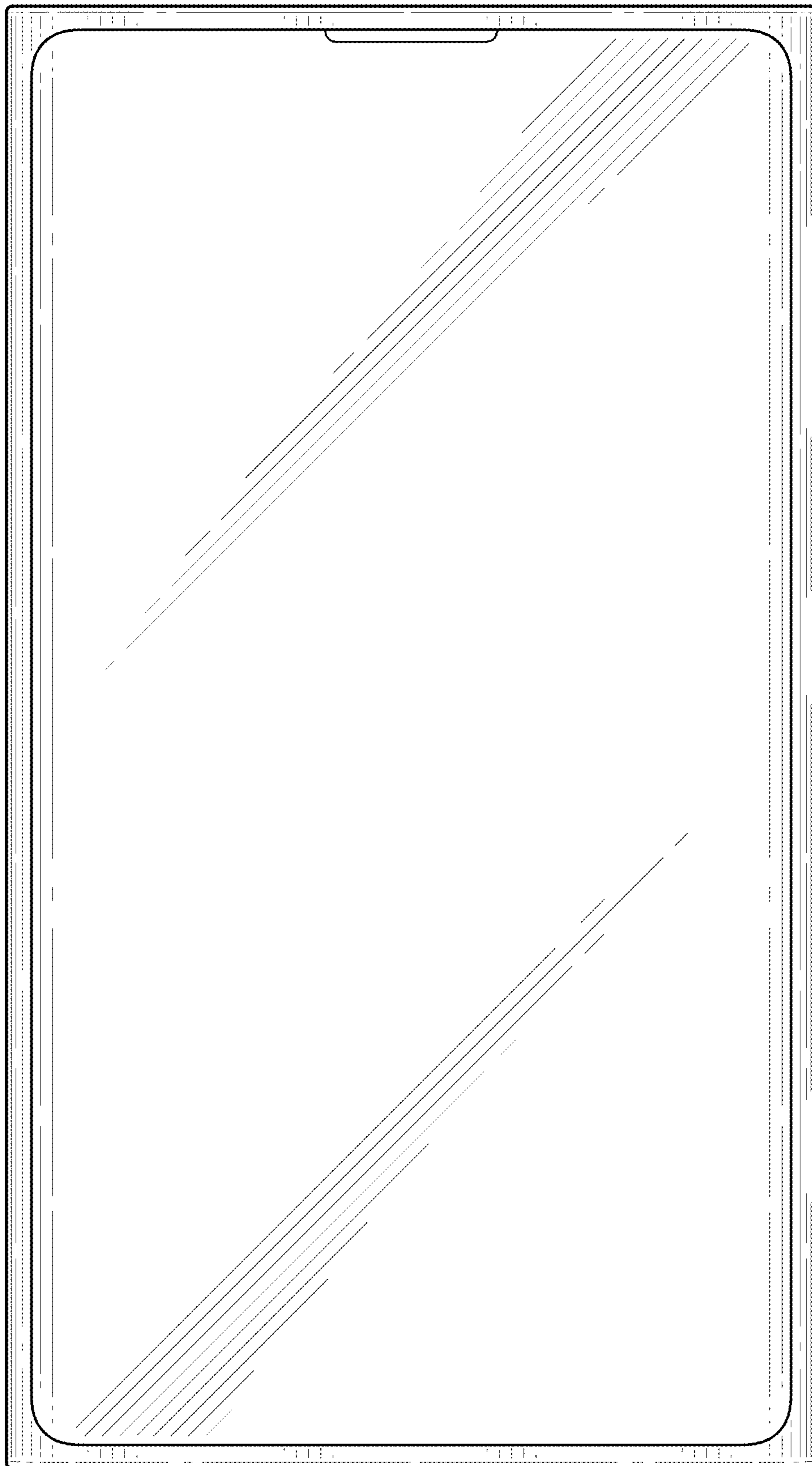


FIG. 2

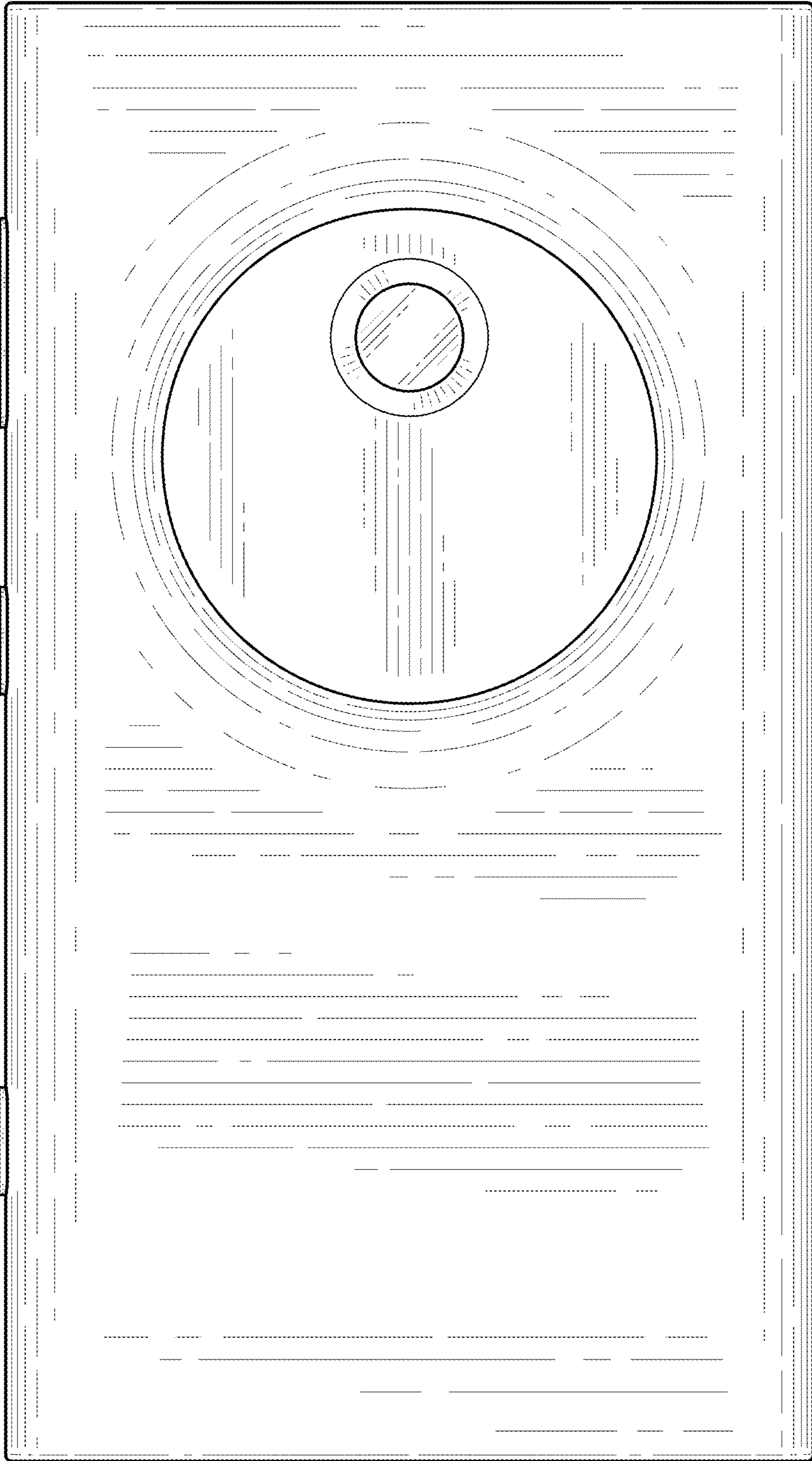


FIG. 3

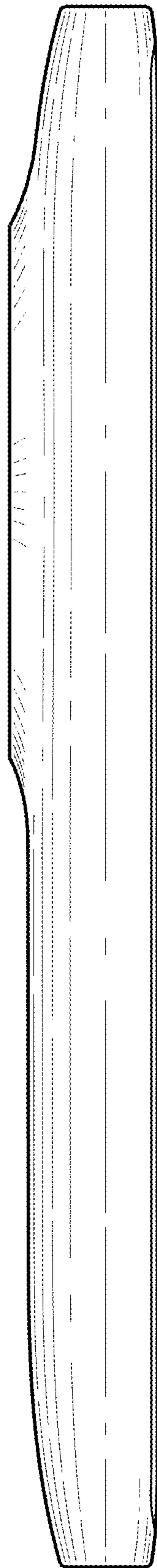


FIG. 4

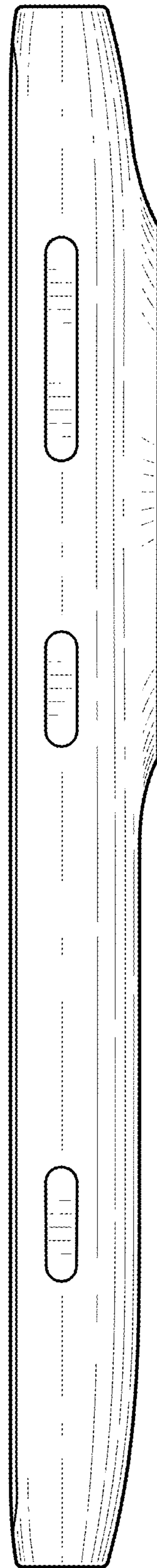


FIG. 5

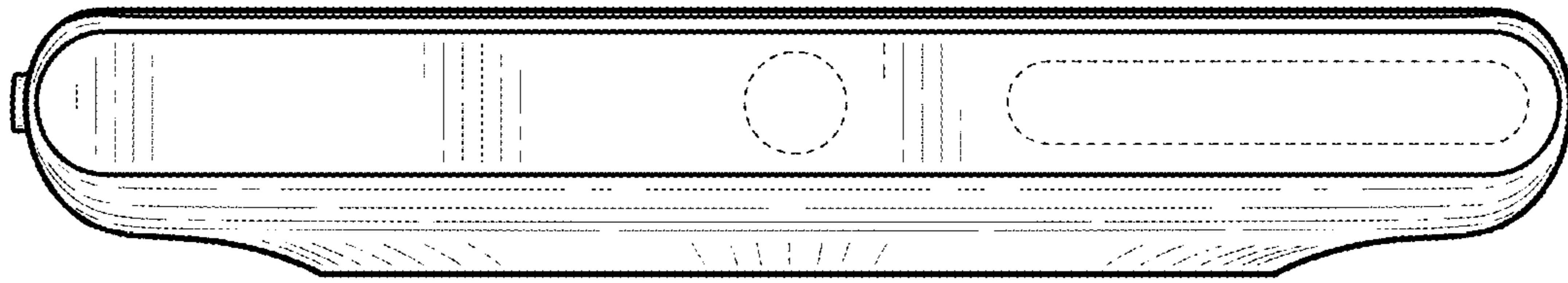


FIG. 6

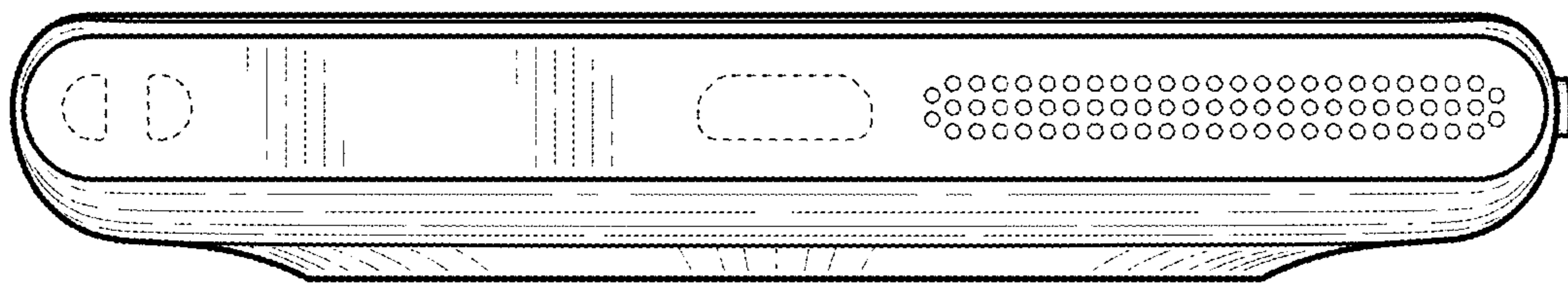


FIG. 7