

US00D770995S

(12) **United States Design Patent**
Lee et al.

(10) **Patent No.:** **US D770,995 S**
(45) **Date of Patent:** **** Nov. 8, 2016**

(54) **TV RECEIVER**

(71) Applicant: **LG ELECTRONICS INC.**, Seoul (KR)

(72) Inventors: **Yongho Lee**, Seoul (KR); **Junghoon Lee**, Seoul (KR); **Kyongtae Han**, Seoul (KR); **Sangwon Yoon**, Seoul (KR)

(73) Assignee: **LG Electronics Inc.**, Seoul (KR)

(**) Term: **14 Years**

(21) Appl. No.: **29/508,935**

(22) Filed: **Nov. 12, 2014**

(30) **Foreign Application Priority Data**

May 13, 2014 (KR) 30-2014-0023519

(51) **LOC (10) Cl.** **14-03**

(52) **U.S. Cl.**
USPC **D14/126**

(58) **Field of Classification Search**

USPC D14/125-134, 239, 371, 136, 374-377, D14/440, 450, 448, 336, 342, 159; 312/7.2; 348/836, 838, 180, 184, 325, 739; 248/917-924, 465; 345/104, 133, 156, 345/168, 87, 173; D21/329, 515, 577, 622, D21/333, 433, 448, 452, 450, 331, 505; D10/15, 26; 446/484, 175, 356; D6/477, 479, 300; D20/10, 19, 39
CPC . G06F 1/1601; G06F 1/1643; H05K 5/0004; H05K 5/0017; H05K 5/02; H05K 5/0217; H04N 13/0459

See application file for complete search history.

(56) **References Cited**

U.S. PATENT DOCUMENTS

D415,754 S * 10/1999 Tanigawa D14/126
D510,919 S * 10/2005 Kubota D14/126

D534,139 S * 12/2006 Yokota D14/126
D542,747 S * 5/2007 Kim D14/126
D543,164 S * 5/2007 Yang D14/126
D551,186 S * 9/2007 Yang D14/126
D611,918 S * 3/2010 Shih D14/126
D642,149 S * 7/2011 Inoue D14/126
D642,150 S * 7/2011 Takami D14/126
D665,368 S * 8/2012 Kumano D14/126
D738,332 S * 9/2015 Kim D14/126

* cited by examiner

Primary Examiner — Raphael Barkai

(74) *Attorney, Agent, or Firm* — Birch, Stewart, Kolasch & Birch, LLP

(57) **CLAIM**

The ornamental design for a TV receiver, as shown and described.

DESCRIPTION

FIG. 1 is a front, right side, perspective view of a TV receiver showing our new design;
FIG. 2 is a front view thereof;
FIG. 3 is a rear view thereof;
FIG. 4 is a left side view thereof;
FIG. 5 is a right side view thereof;
FIG. 6 is a top view thereof;
FIG. 7 is a bottom view thereof;
FIG. 8 is a front, right side, bottom perspective view thereof;
FIG. 9 is an enlarged view of the sound reflector thereof;
and,
FIG. 10 is a cross-section of the 1-1 line in FIG. 8 thereof.
The broken lines indicate unclaimed portion of the article that form no part of the claimed design, and the dash-dot broken lines define the bounds of the claimed design and form no part of the claimed design.

1 Claim, 6 Drawing Sheets

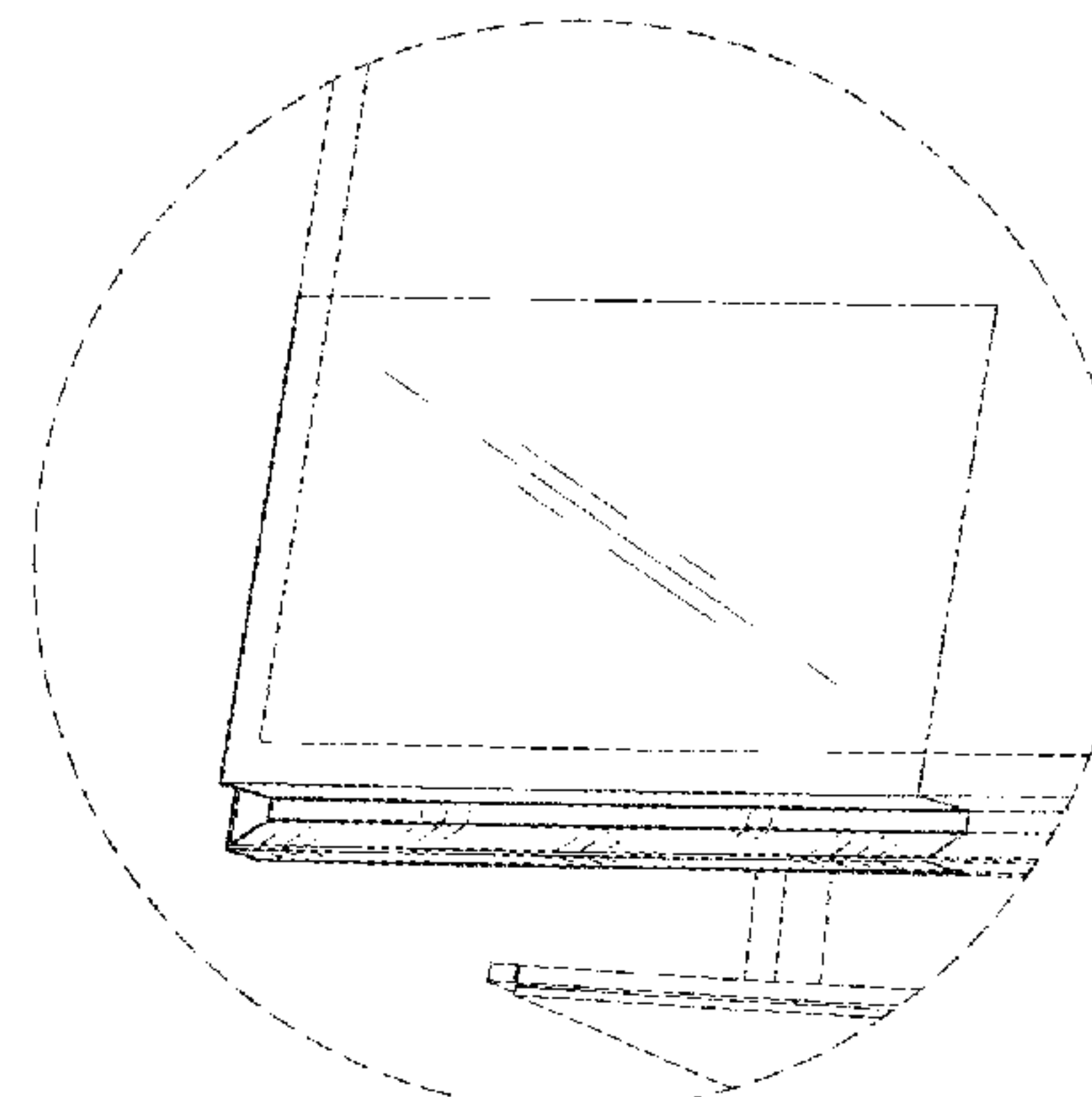
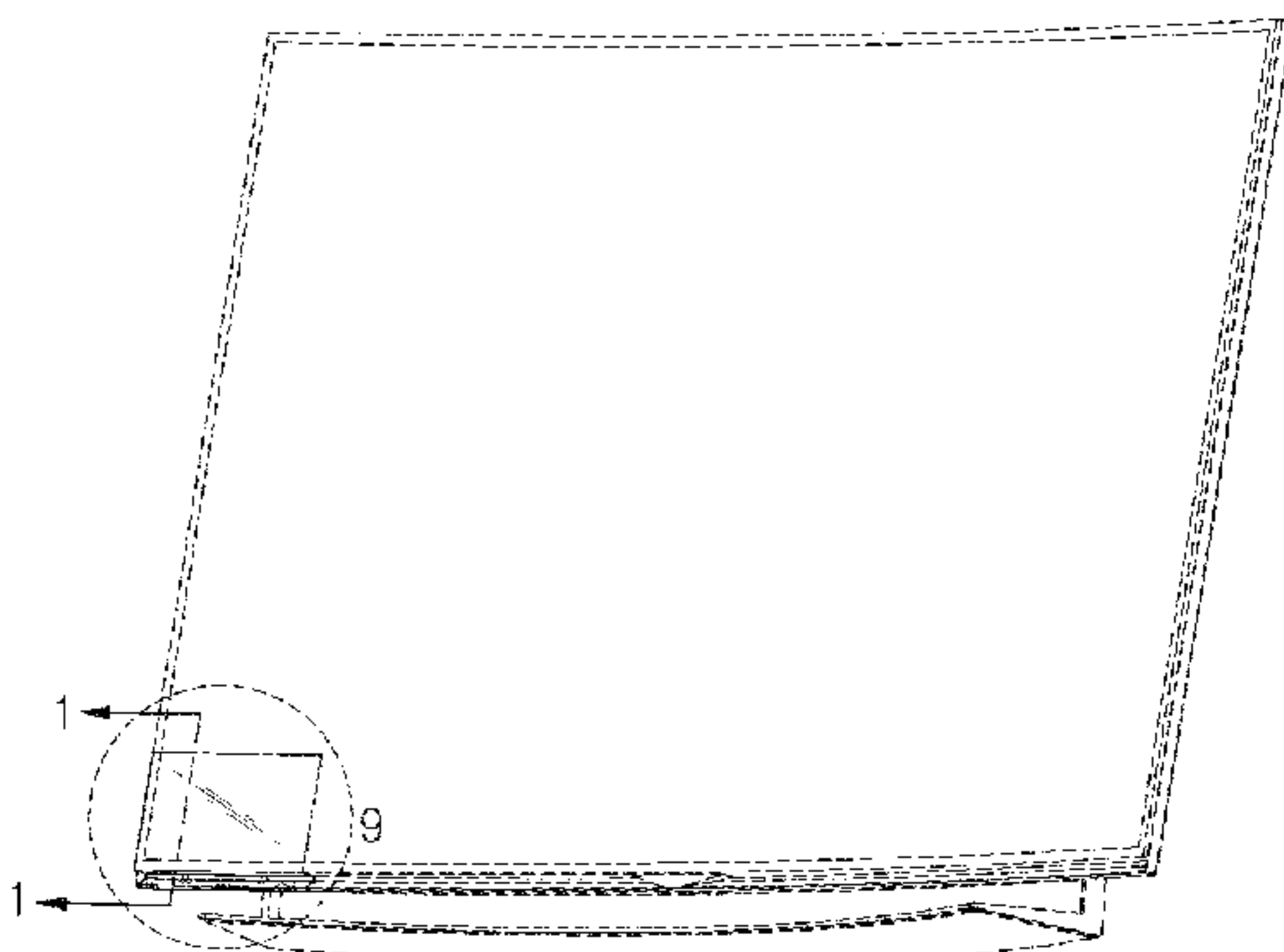


FIG. 1

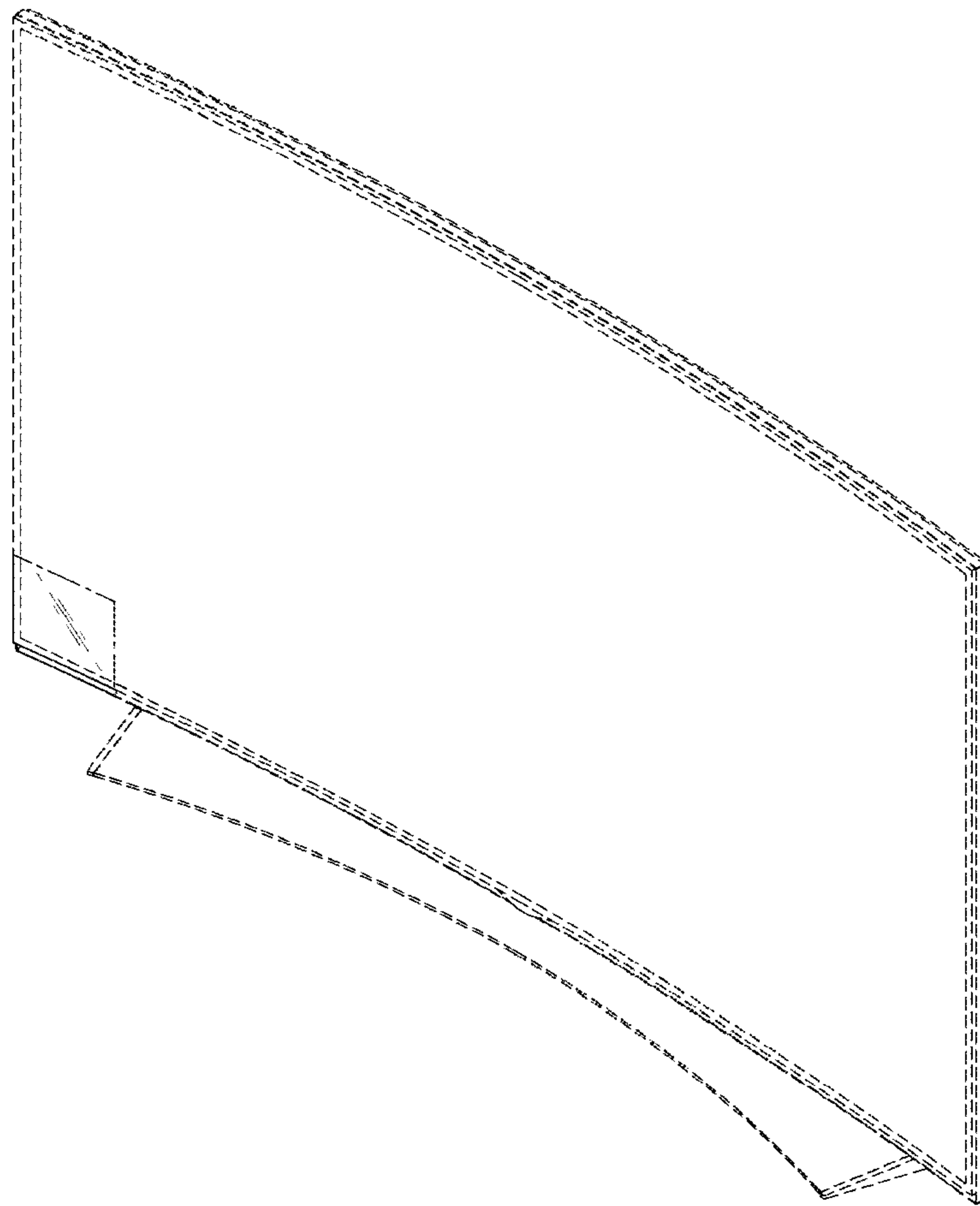


FIG. 2

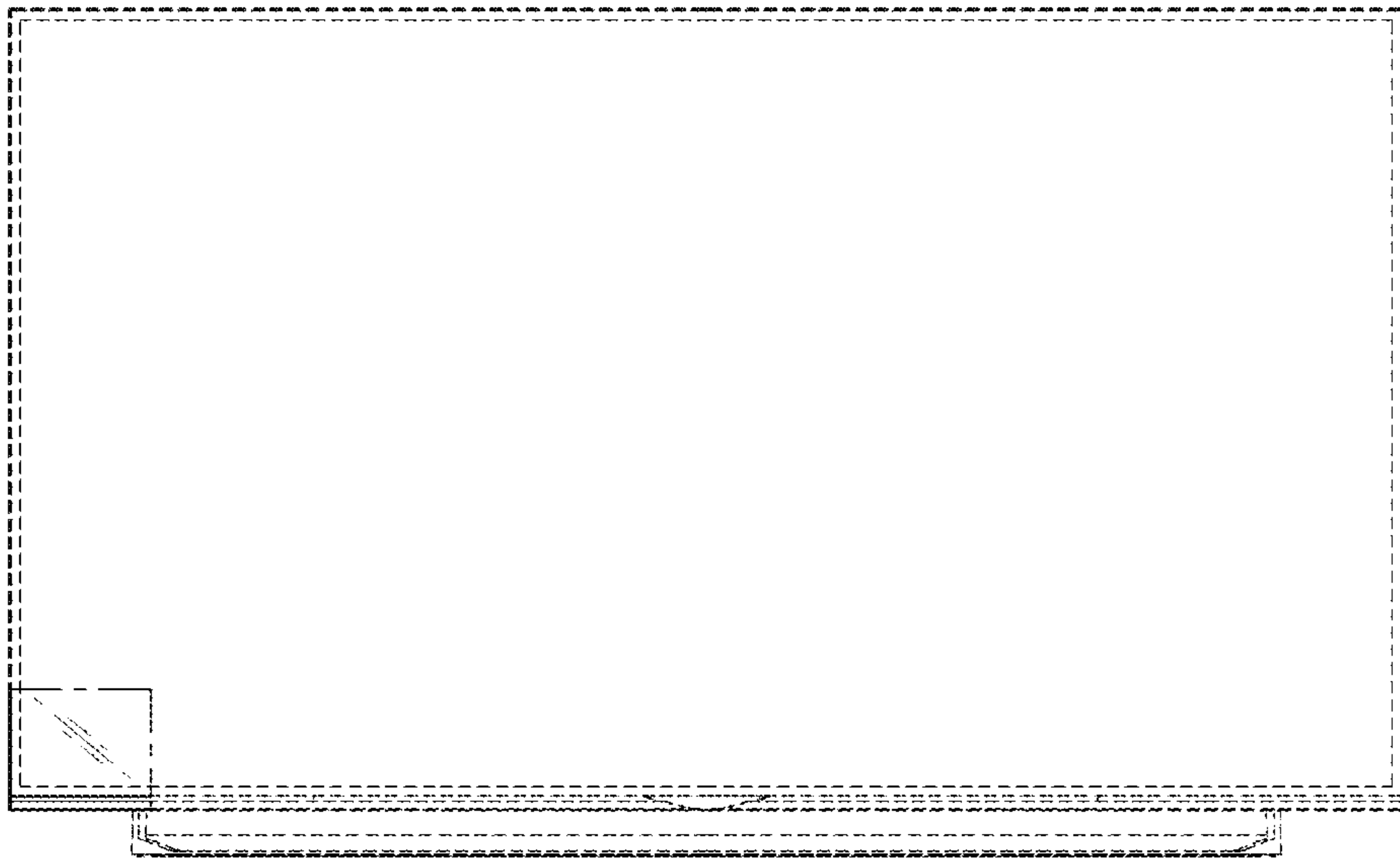


FIG. 3

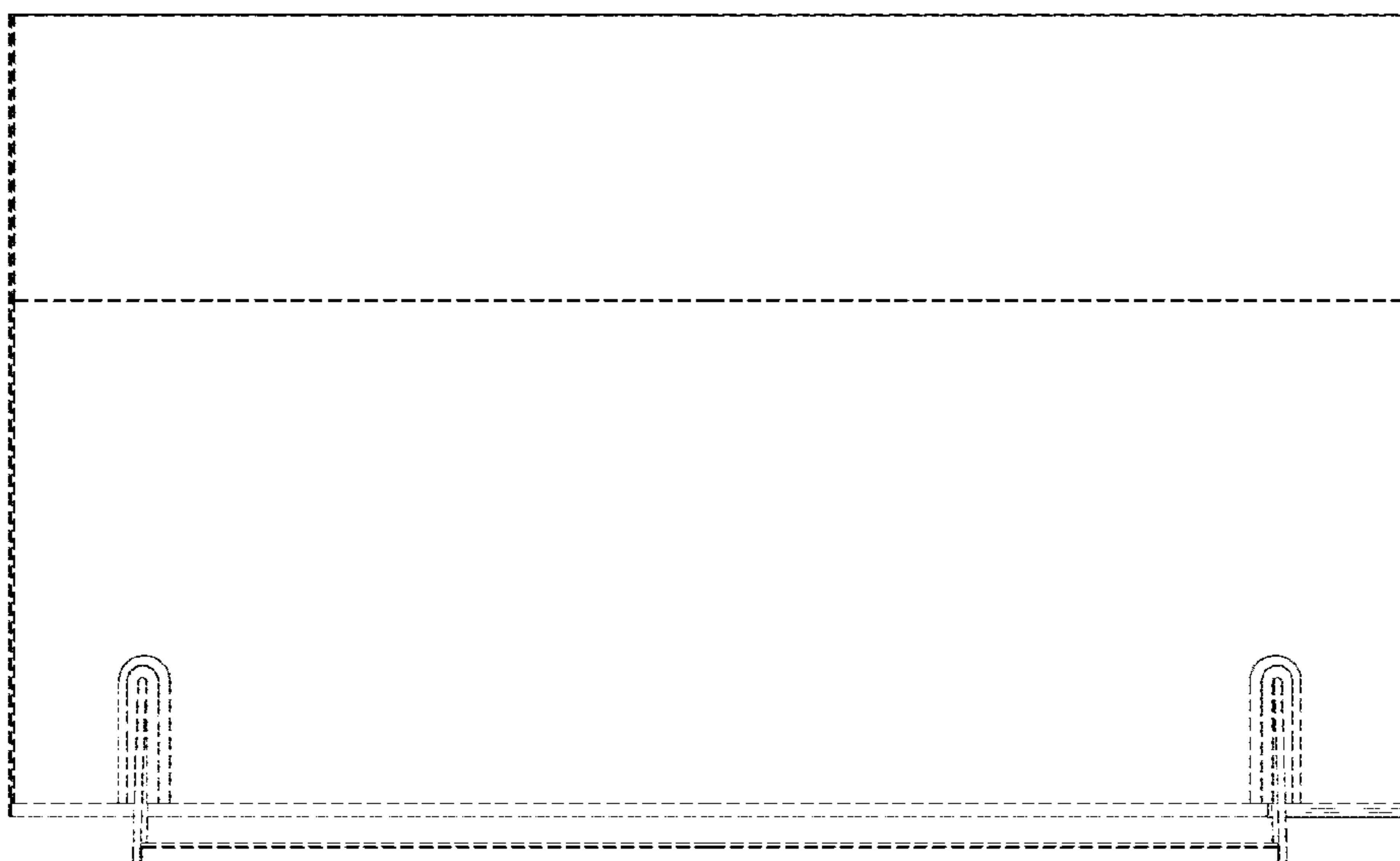


FIG. 4

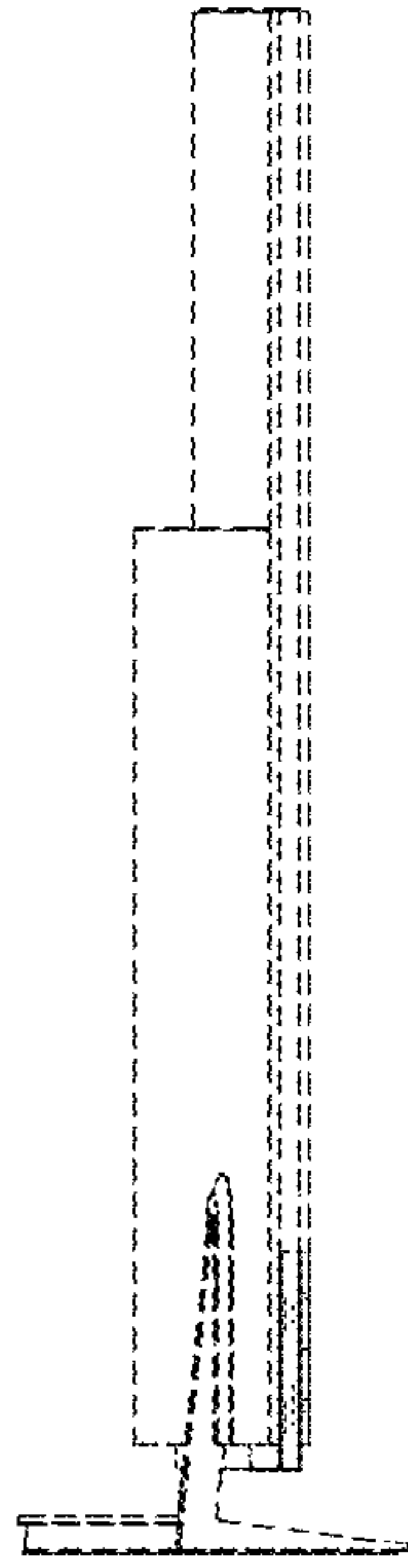


FIG. 5

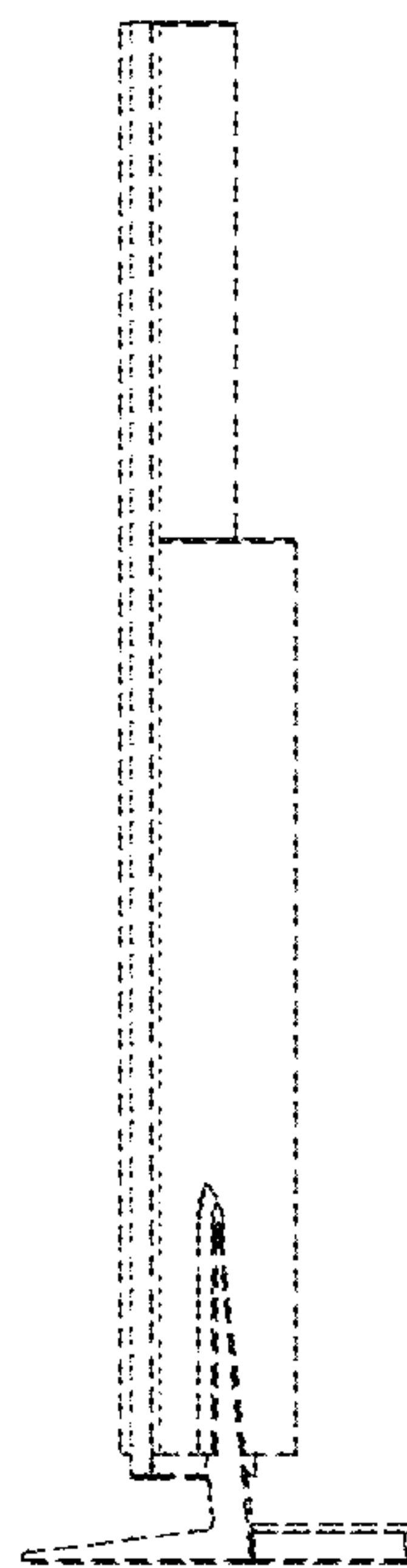


FIG. 6

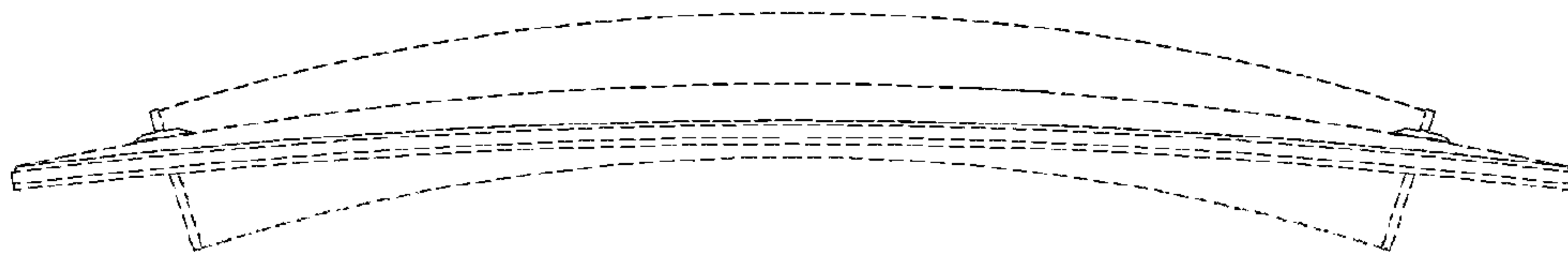


FIG. 7

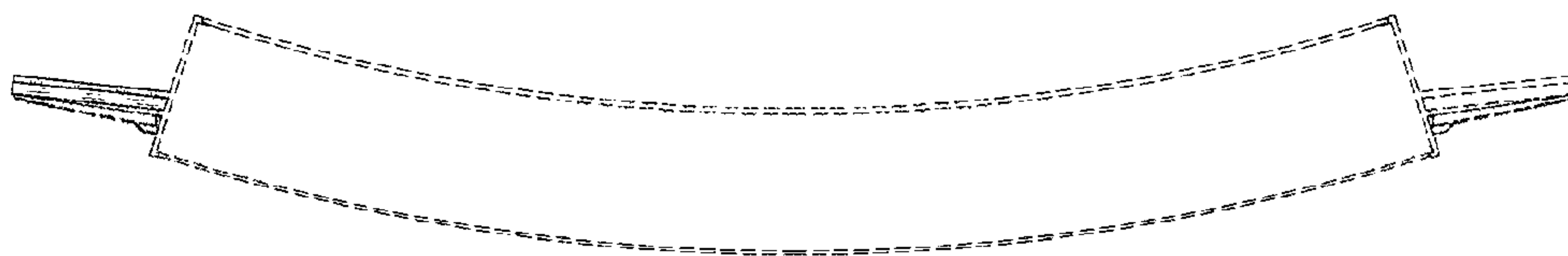


FIG. 8

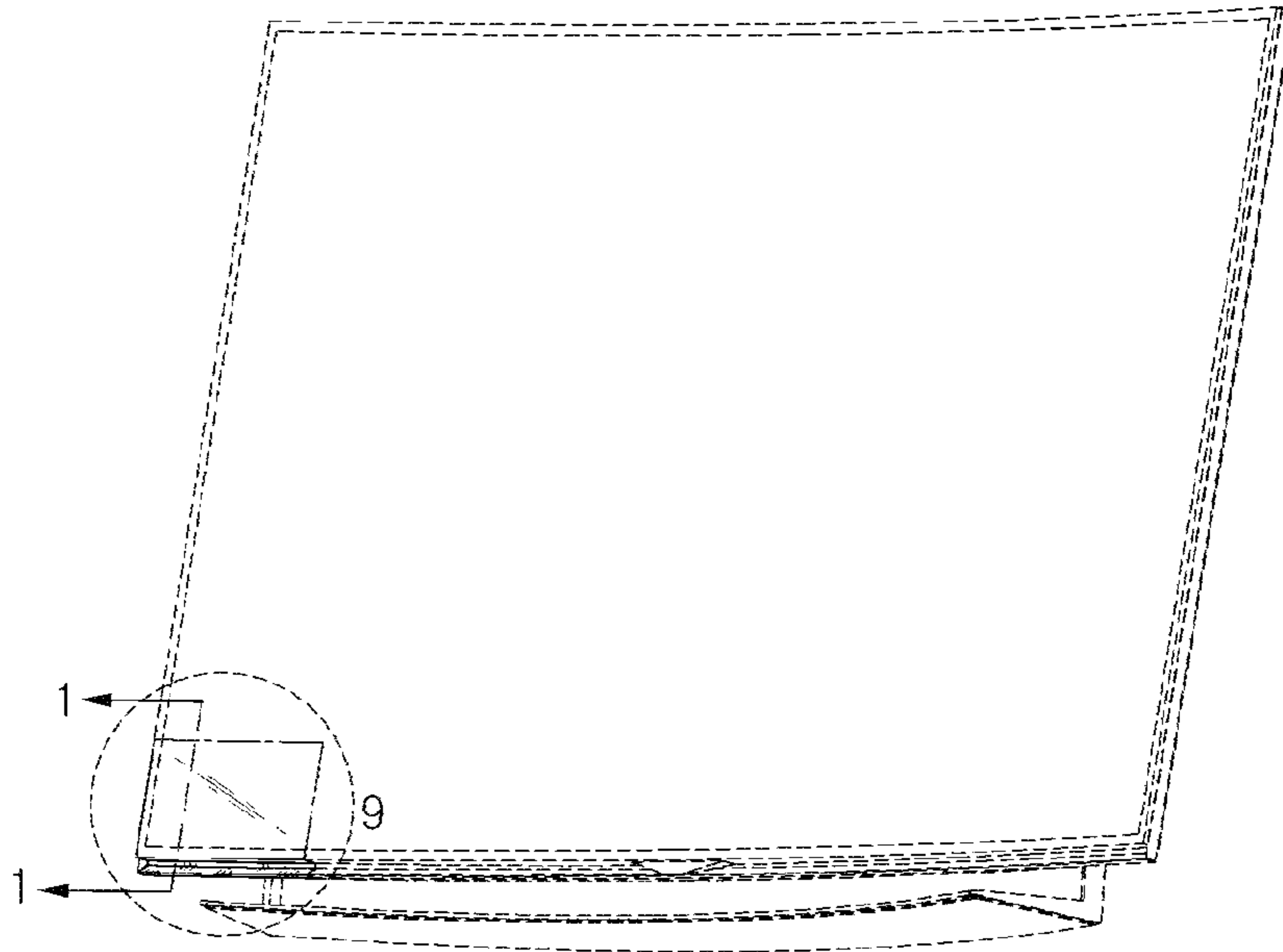


FIG. 9

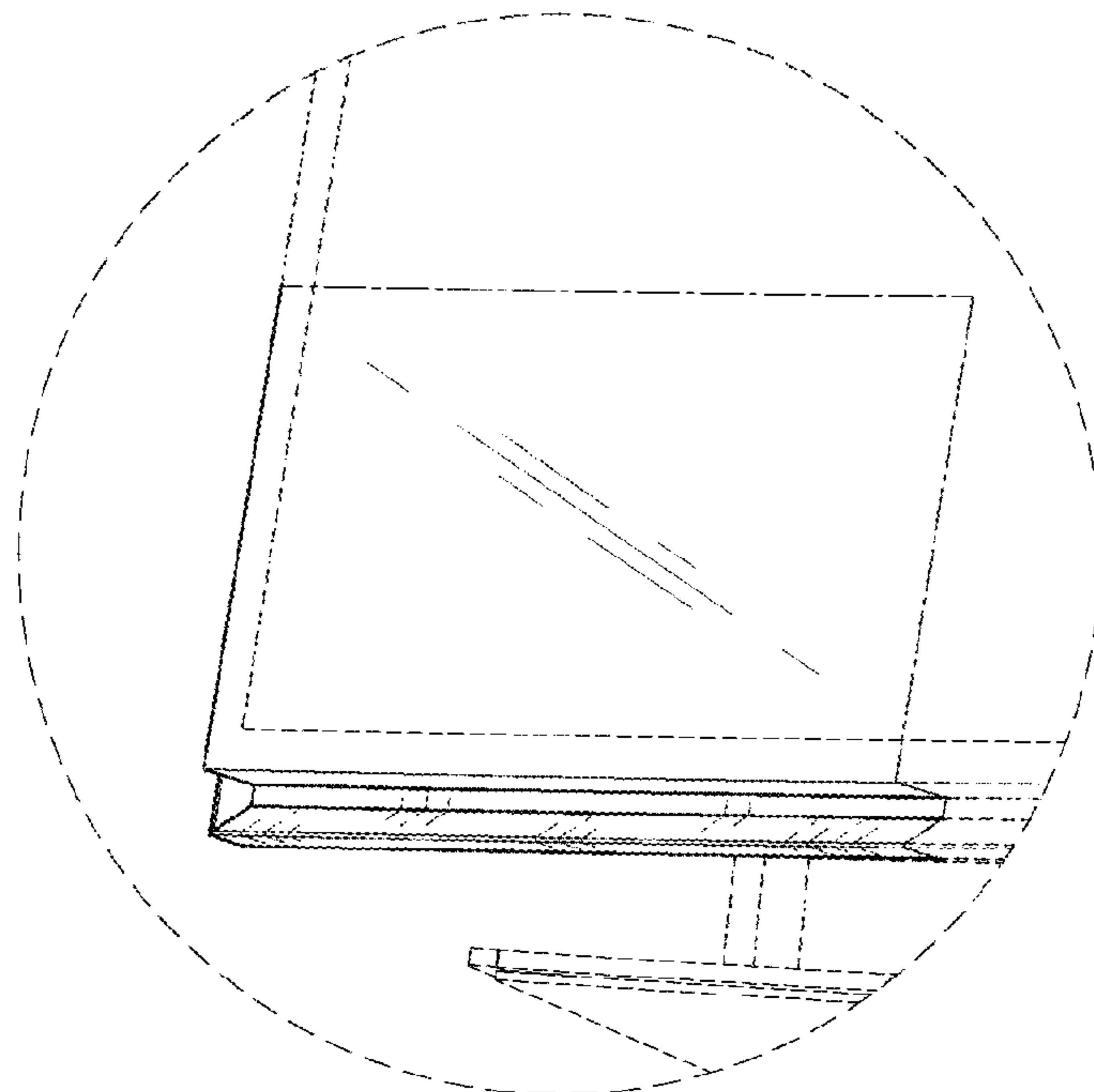


FIG. 10

