



US00D770993S

(12) **United States Design Patent** (10) **Patent No.:** **US D770,993 S**
Yoshida et al. (45) **Date of Patent:** **** Nov. 8, 2016**

(54) **REACTION TUBE**

(71) Applicant: **Hitachi Kokusai Electric Inc.**,
Chiyoda-ku, Tokyo (JP)

(72) Inventors: **Hidenari Yoshida**, Toyama (JP);
Tomoshi Taniyama, Toyama (JP)

(73) Assignee: **HITACHI KOKUSAI ELECTRIC INC.**, Tokyo (JP)

(**) Term: **15 Years**

(21) Appl. No.: **29/555,820**

(22) Filed: **Feb. 25, 2016**

(30) **Foreign Application Priority Data**

Sep. 4, 2015 (JP) 019683/2015

(51) **LOC (10) Cl.** **13-03**

(52) **U.S. Cl.**
USPC **D13/182**

(58) **Field of Classification Search**
USPC D13/182
CPC H01L 21/67098; H01L 21/67103;
H01L 21/67109; H01L 21/67115; C23C
16/455; C23C 16/45502; C23C 16/45504;
C23C 16/45506; C23C 16/45508; C23C
16/4587; C23C 16/46; C23C 16/463; C23C
16/466; B27K 3/08; B27K 3/10; H01B
13/30
See application file for complete search history.

D417,438 S * 12/1999 Matsushima D13/182
D423,463 S * 4/2000 Hanagata D13/182
D424,024 S * 5/2000 Hanagata D13/182
D586,768 S * 2/2009 Inoue D13/182
D594,488 S * 6/2009 Toiya D13/182
D600,659 S * 9/2009 Matsuura D13/182
D610,559 S * 2/2010 Okada D13/182

(Continued)

Primary Examiner — Elizabeth J Oswecki
(74) *Attorney, Agent, or Firm* — Fitch, Even, Tabin &
Flannery, LLP

(57) **CLAIM**

The ornamental design for a reaction tube, as shown and described.

DESCRIPTION

FIG. 1 is a front, top and right side perspective view of a reaction tube showing our new design;
FIG. 2 is a rear, top and left side perspective view thereof;
FIG. 3 is a front elevational view thereof;
FIG. 4 is a rear elevational view thereof;
FIG. 5 is a left side elevational view thereof;
FIG. 6 is a right side elevational view thereof;
FIG. 7 is a top plan view thereof;
FIG. 8 is a bottom plan view thereof;
FIG. 9 is a cross sectional view taken along line 9-9 in FIG. 3;
FIG. 10 is a cross sectional view taken along line 10-10 in FIG. 3;
FIG. 11 is a cross sectional view taken along line 11-11 in FIG. 3;
FIG. 12 is a cross sectional view taken along line 12-12 in FIG. 3;
FIG. 13 is a cross sectional view taken along line 13-13 in FIG. 5; and,
FIG. 14 is a cross sectional view taken along line 14-14 in FIG. 5.

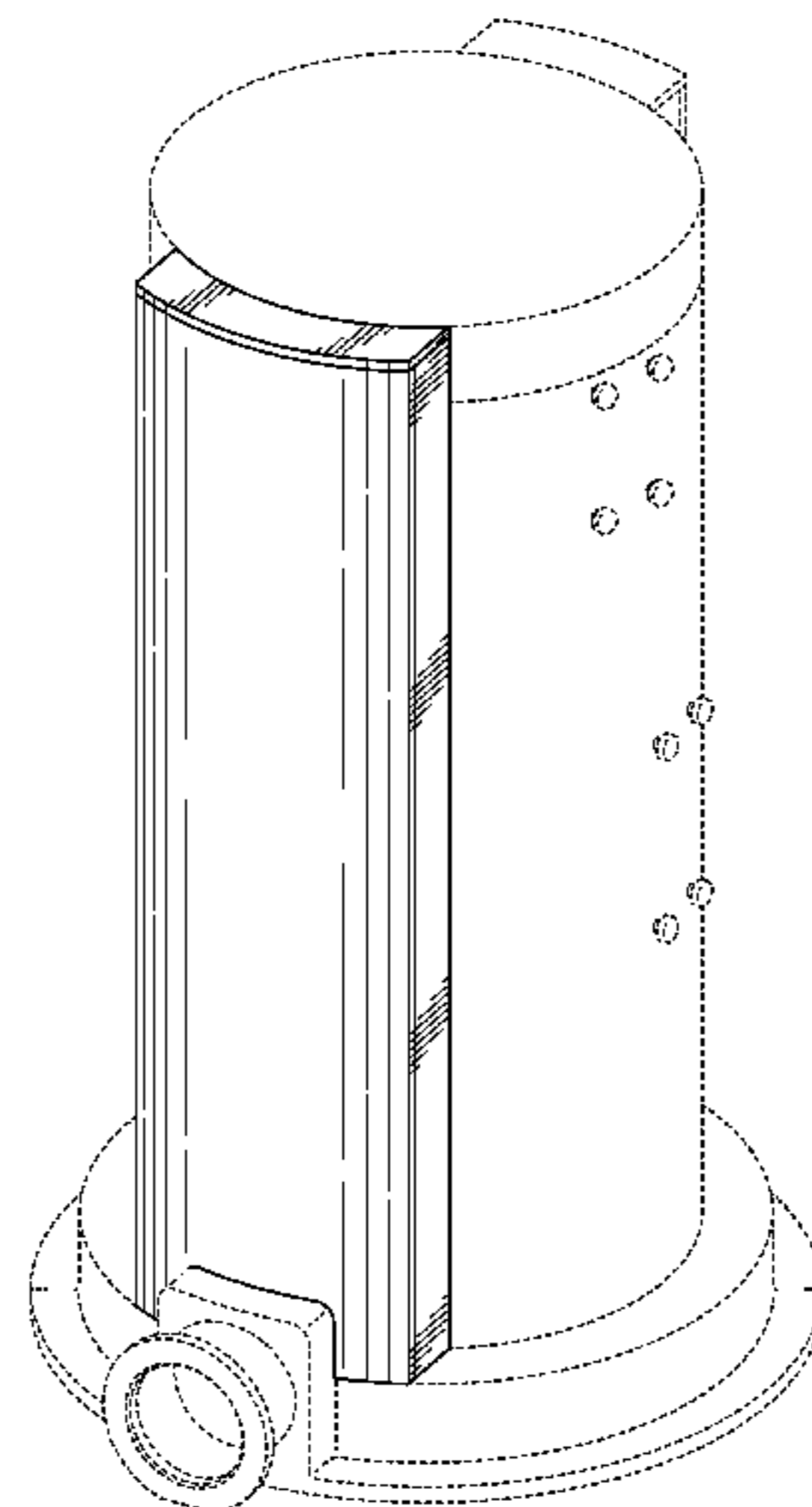
The broken lines shown in the drawings represent portions of the reaction tube that form no part of the claimed design.

1 Claim, 14 Drawing Sheets

(56) **References Cited**

U.S. PATENT DOCUMENTS

D404,368 S * 1/1999 Shimazu D13/182
D405,062 S * 2/1999 Shimazu D13/182
D405,429 S * 2/1999 Hanagata D13/182
D405,430 S * 2/1999 Matsushima D13/182
D405,431 S * 2/1999 Shimazu D13/182
D406,113 S * 2/1999 Hanagata D13/182
D407,696 S * 4/1999 Shimazu D13/182



(56)

References Cited

U.S. PATENT DOCUMENTS

D611,013 S *	3/2010	Takahashi	D13/182	D719,114 S *	12/2014	Yamazaki	D13/182
D618,638 S *	6/2010	Nakashima	D13/182	D720,707 S *	1/2015	Yamazaki	D13/182
D655,255 S *	3/2012	Takebayashi	D13/182	D725,055 S *	3/2015	Yamazaki	D13/182
D655,258 S *	3/2012	Honma	D13/182	D739,832 S *	9/2015	Yamazaki	D13/182
D655,262 S *	3/2012	Honma	D13/182	D742,339 S *	11/2015	Takagi	D13/182
D655,682 S *	3/2012	Takebayashi	D13/182	2008/0090195 A1 *	4/2008	Takahashi	F27D 99/0073 432/250
D661,265 S *	6/2012	Kajiya	D13/182	2009/0194521 A1 *	8/2009	Kobayashi	F27B 17/0025 219/520
D711,843 S *	8/2014	Yamazaki	D13/182	2009/0250005 A1 *	10/2009	Kaneko	H01L 21/67109 118/724

* cited by examiner

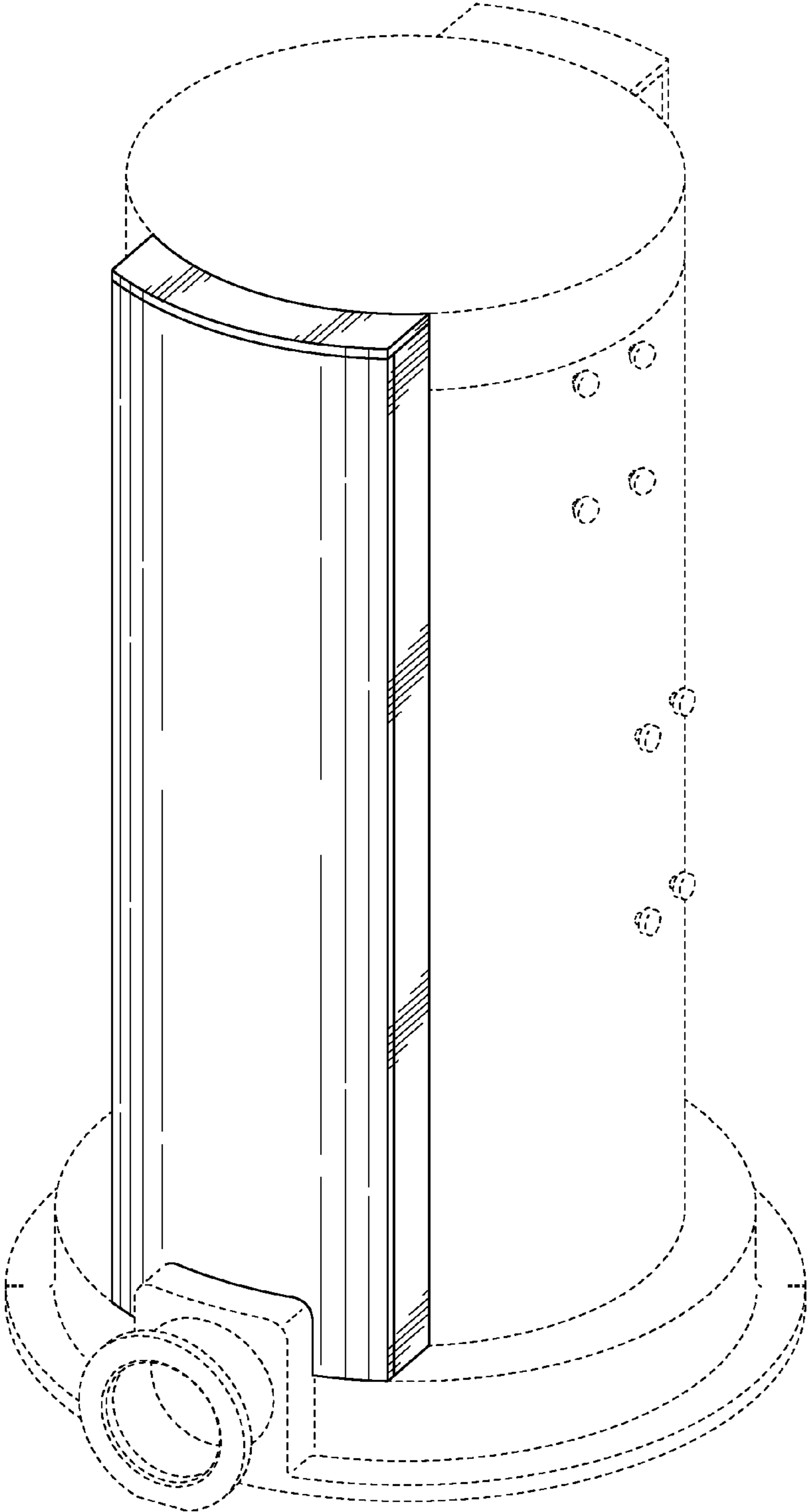


FIG. 1

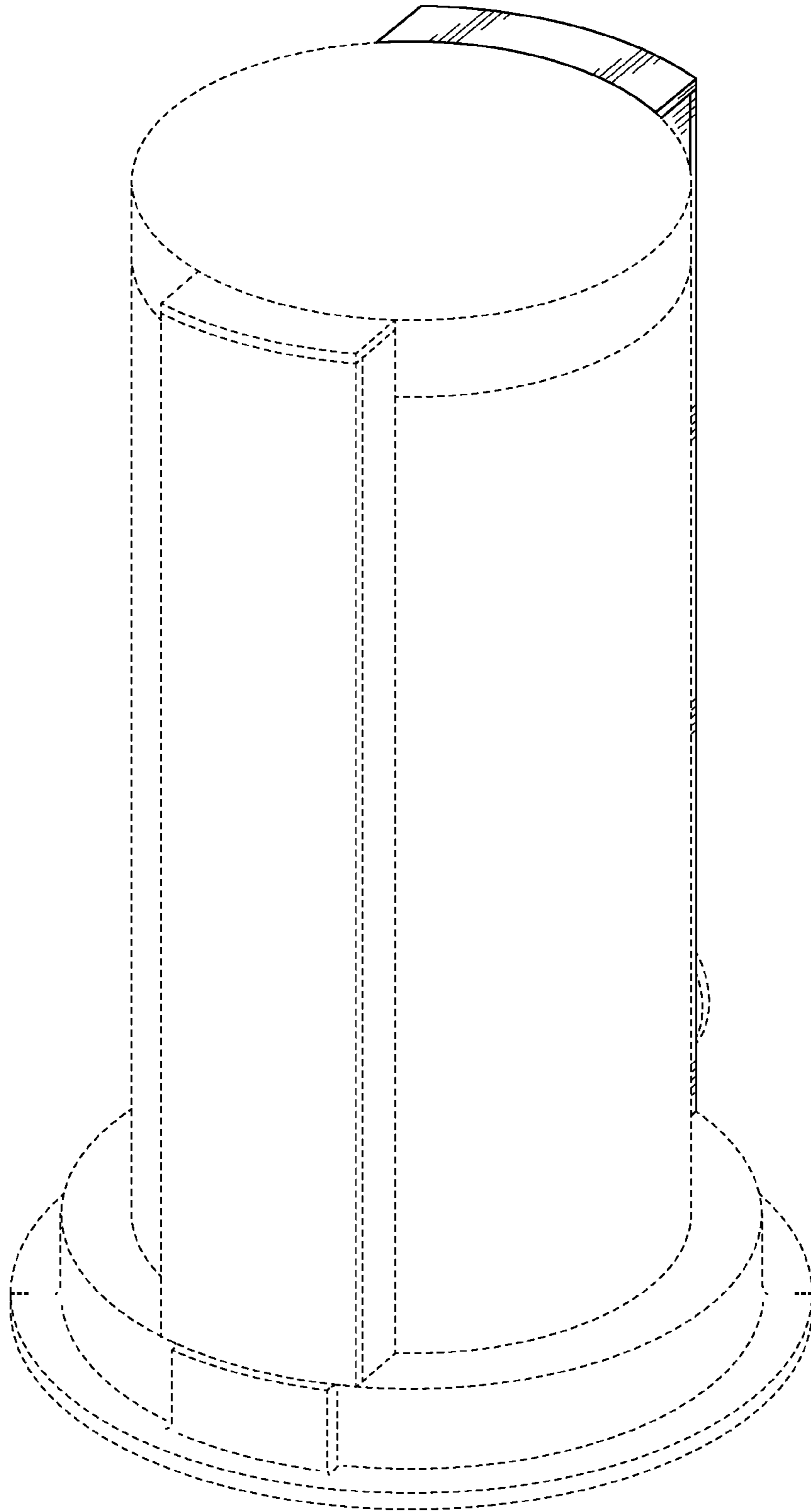


FIG. 2

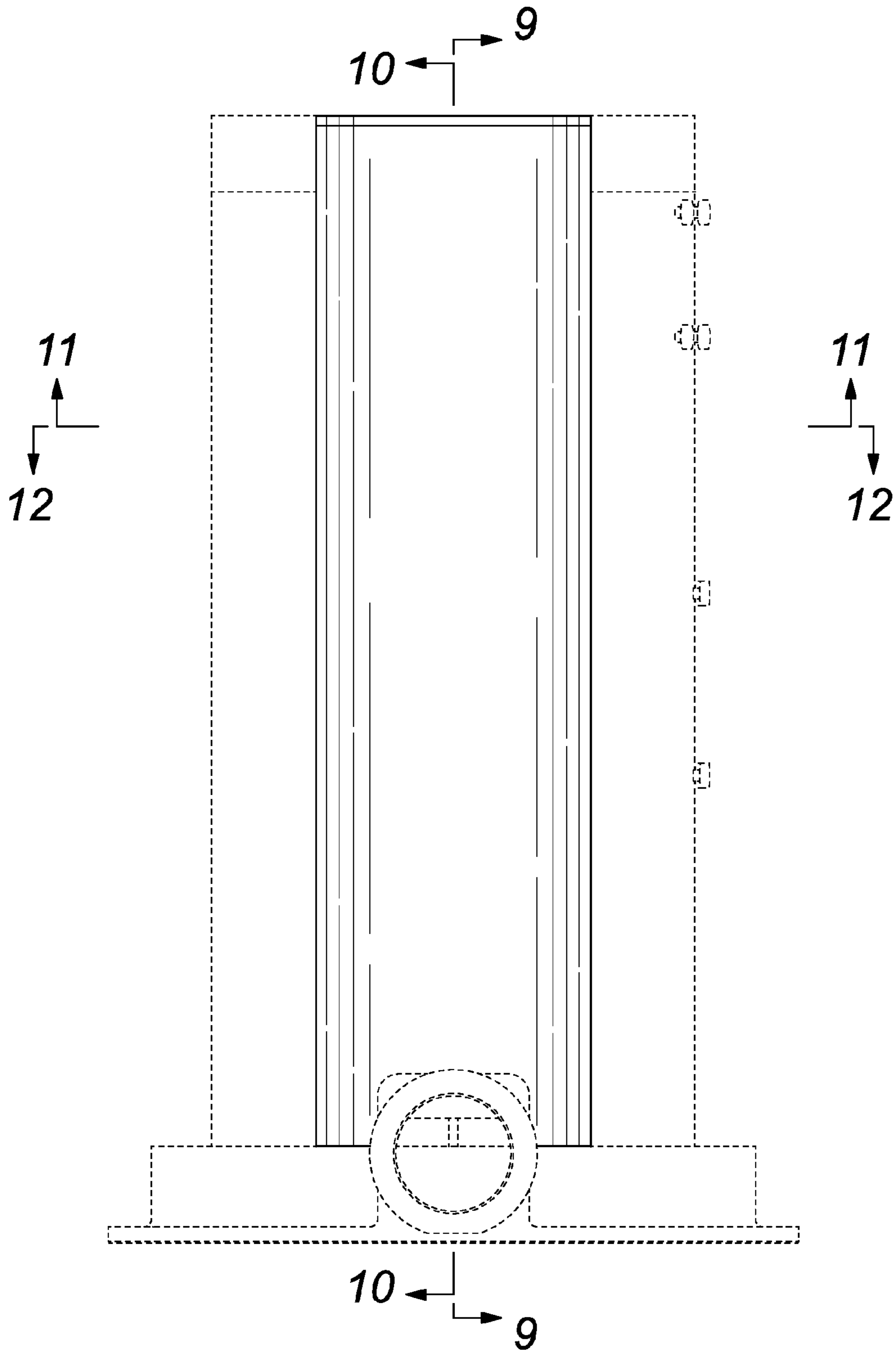


FIG. 3

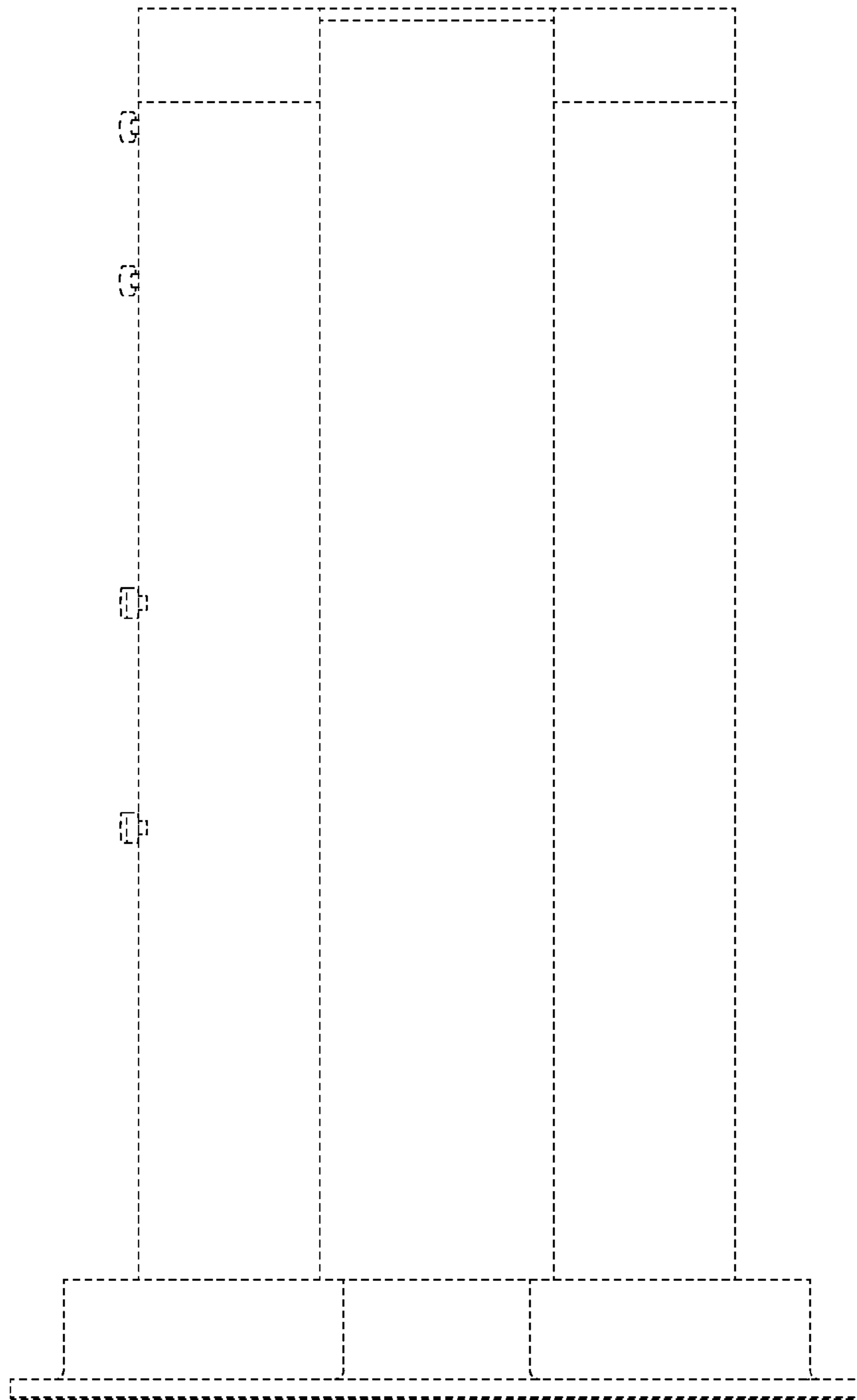


FIG. 4

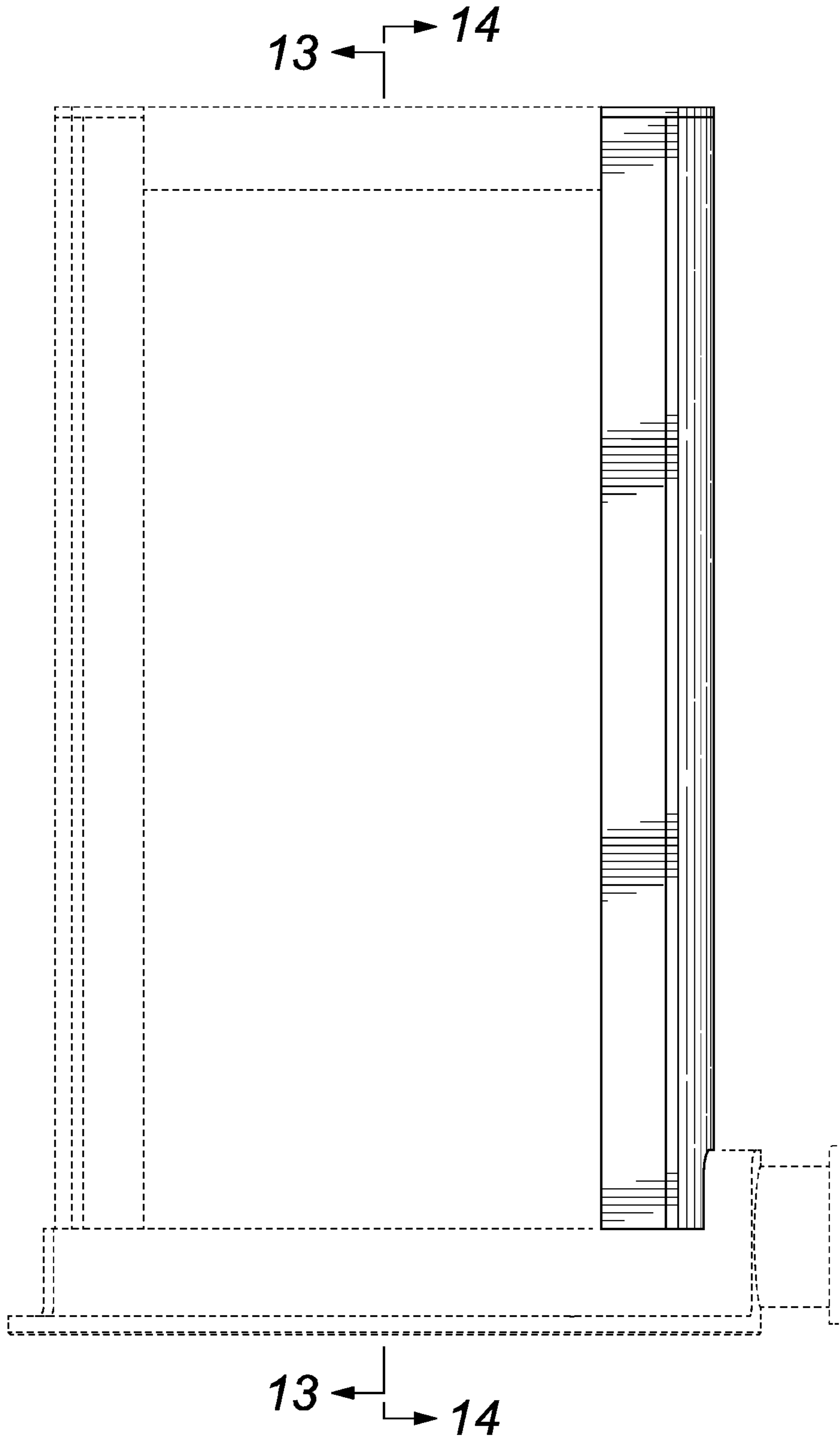


FIG. 5

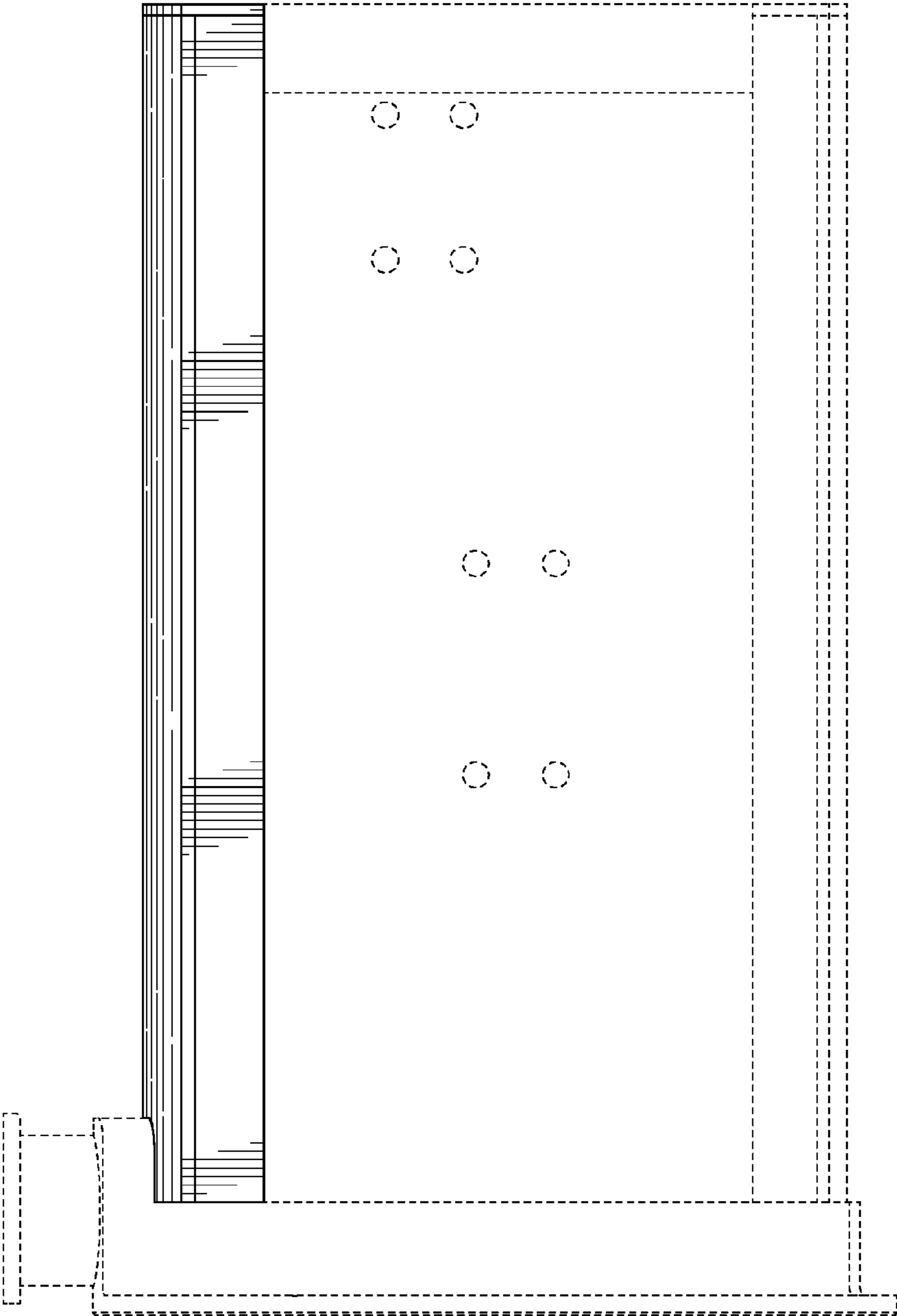


FIG. 6

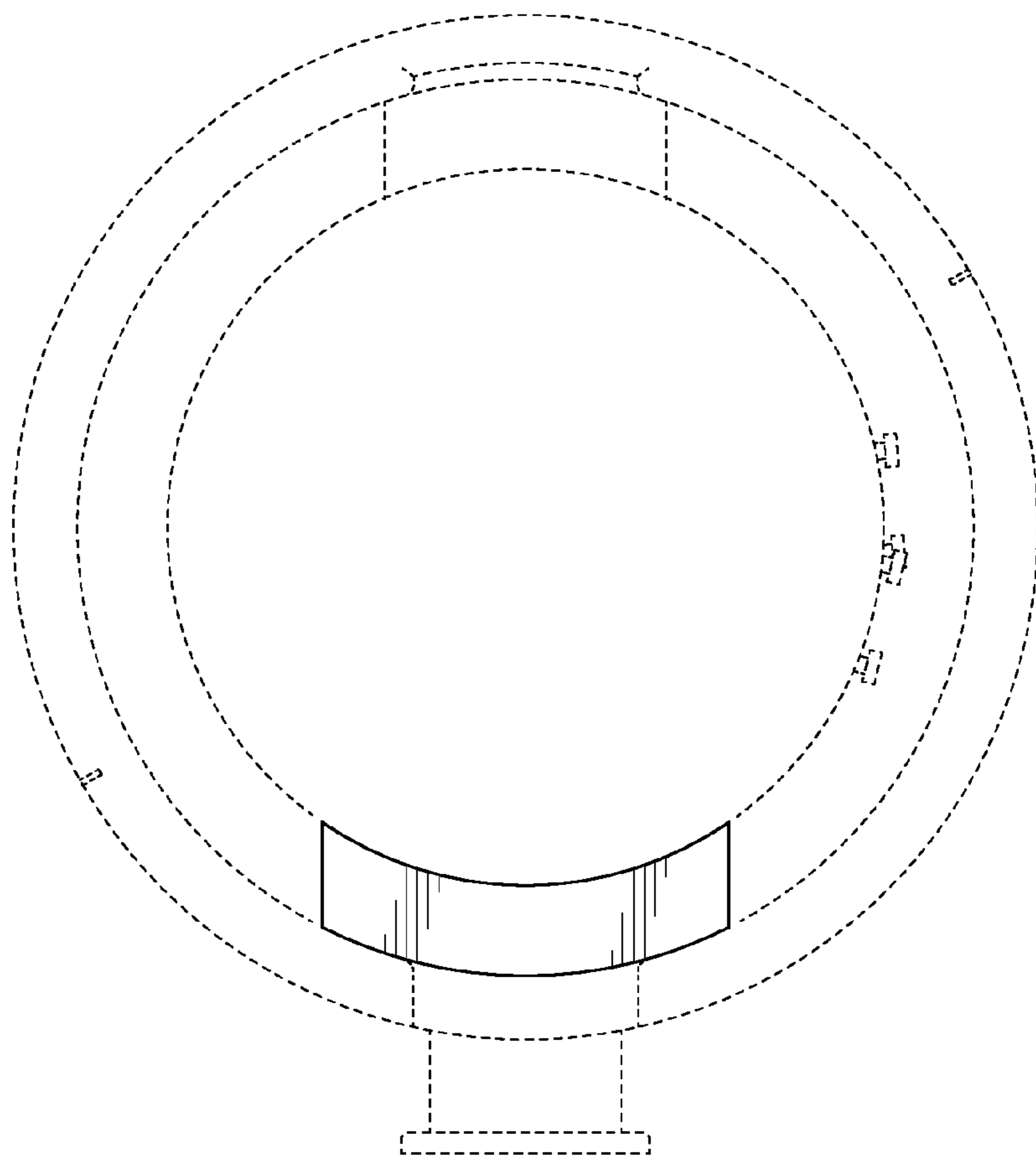


FIG. 7

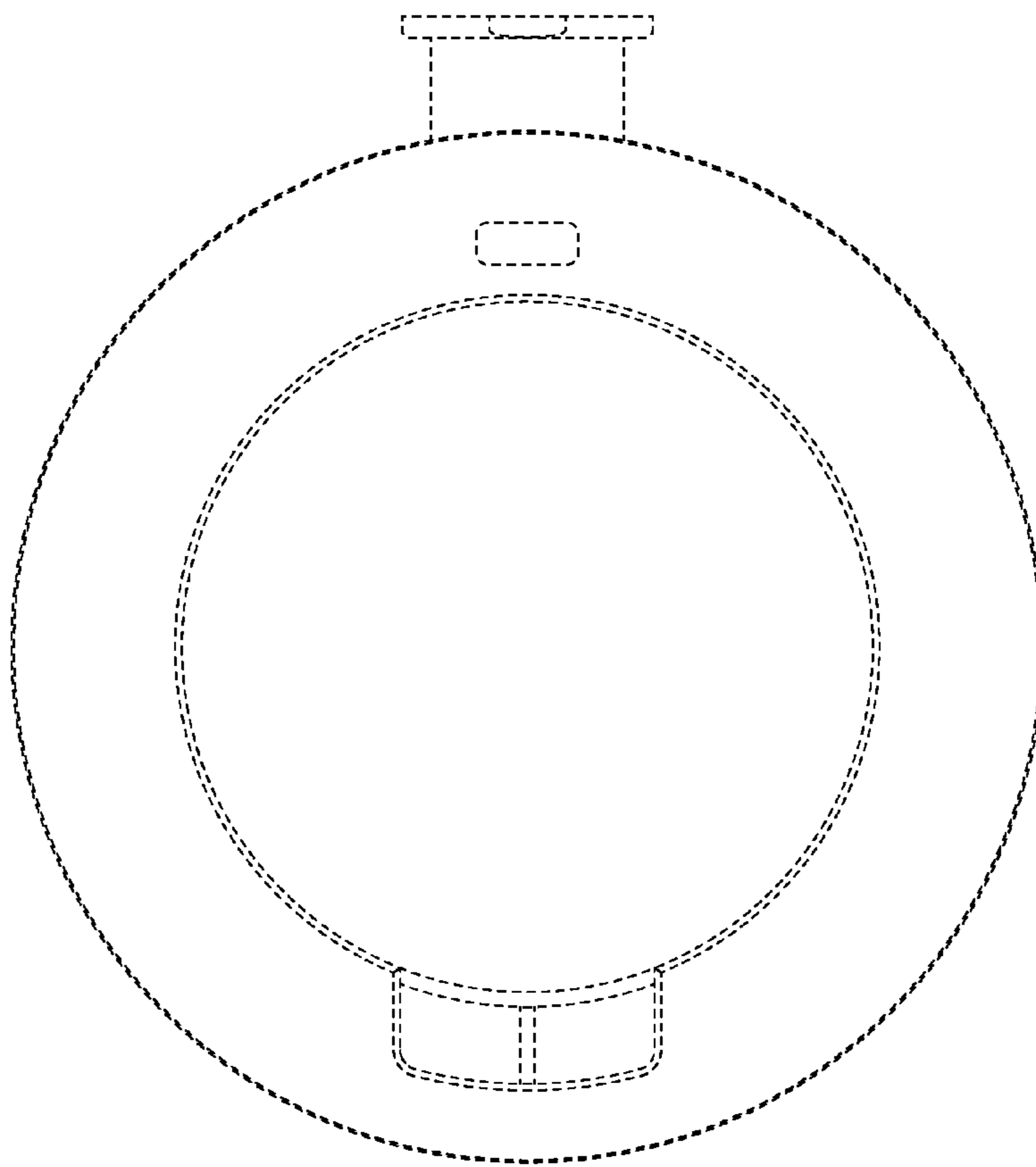


FIG. 8

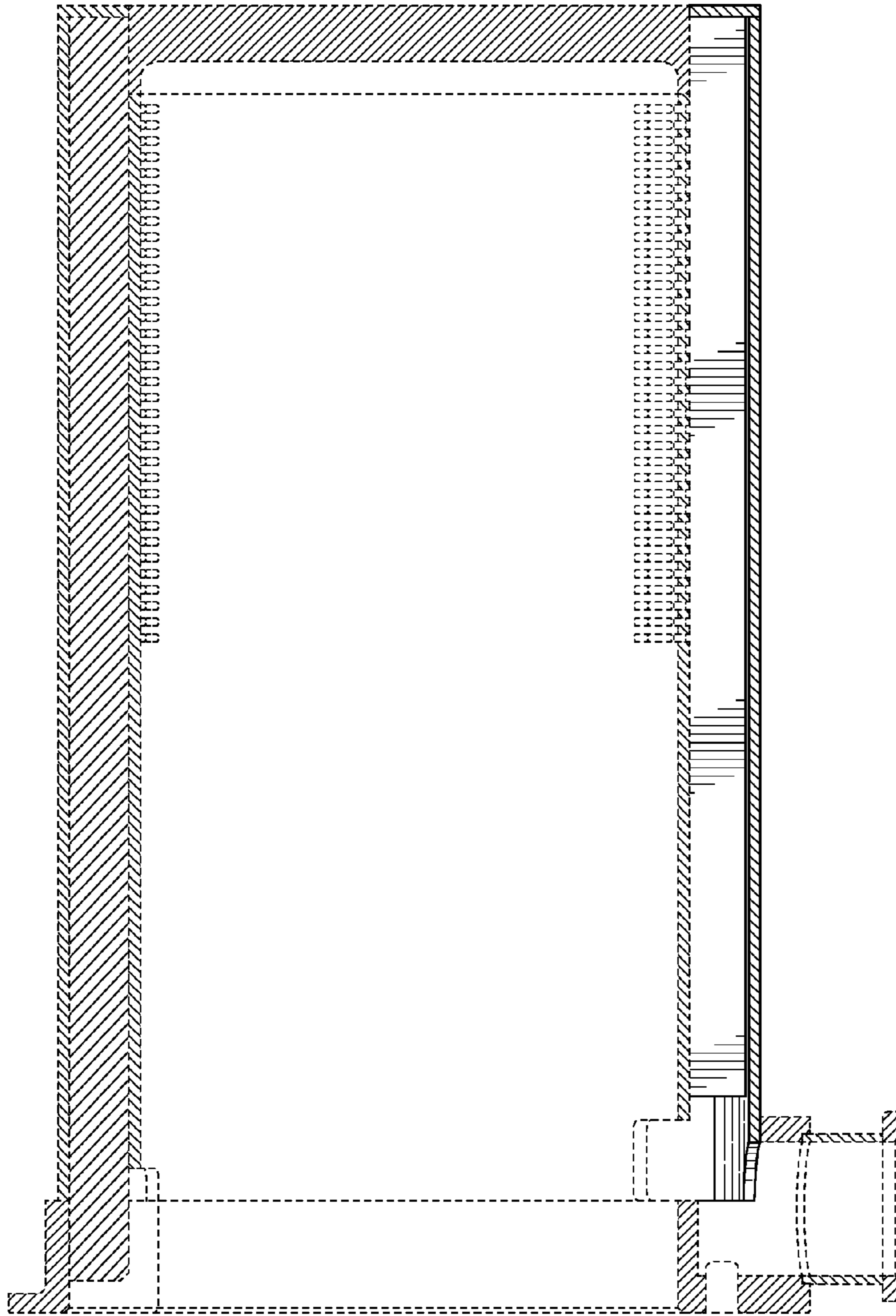


FIG. 9

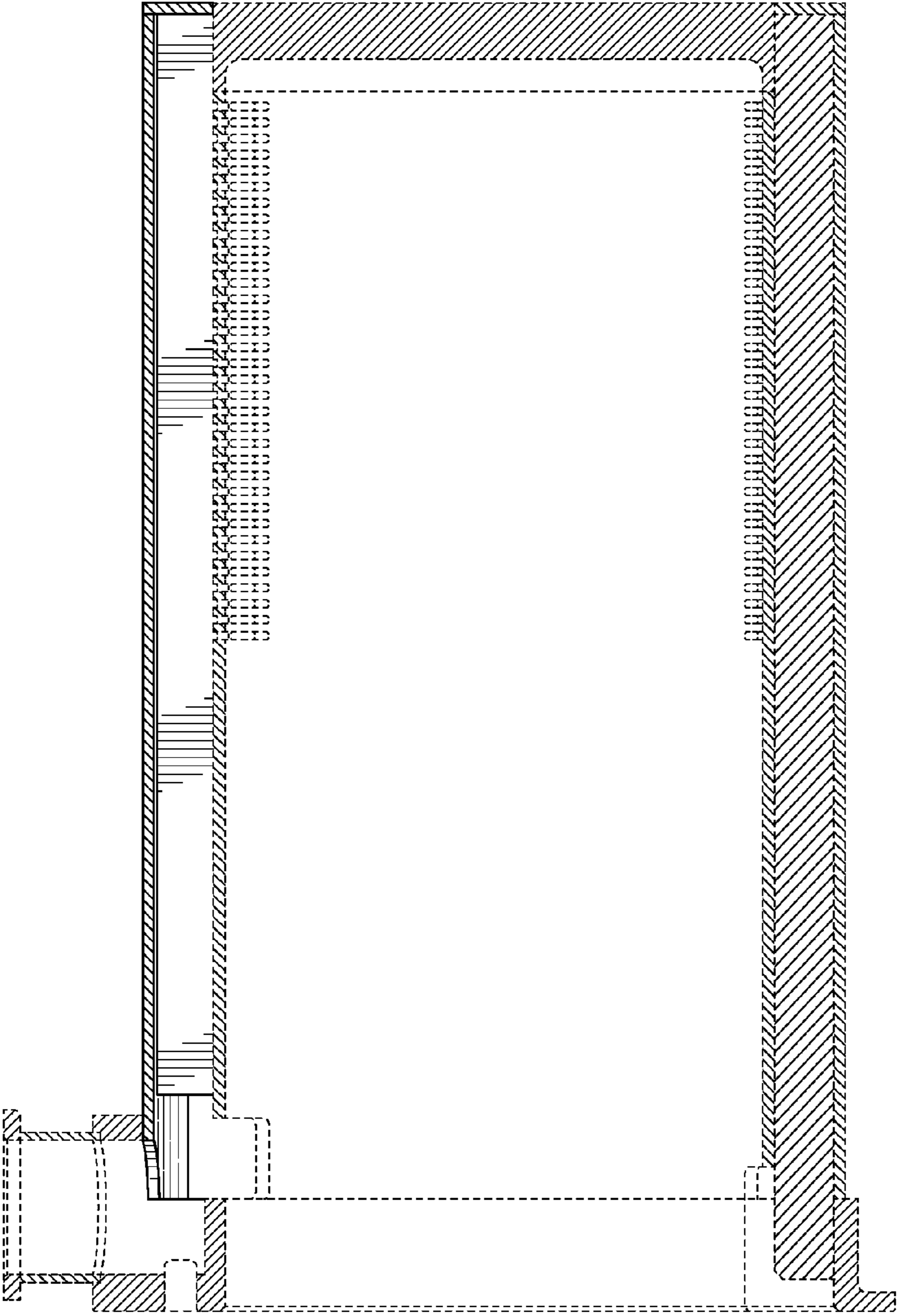


FIG. 10

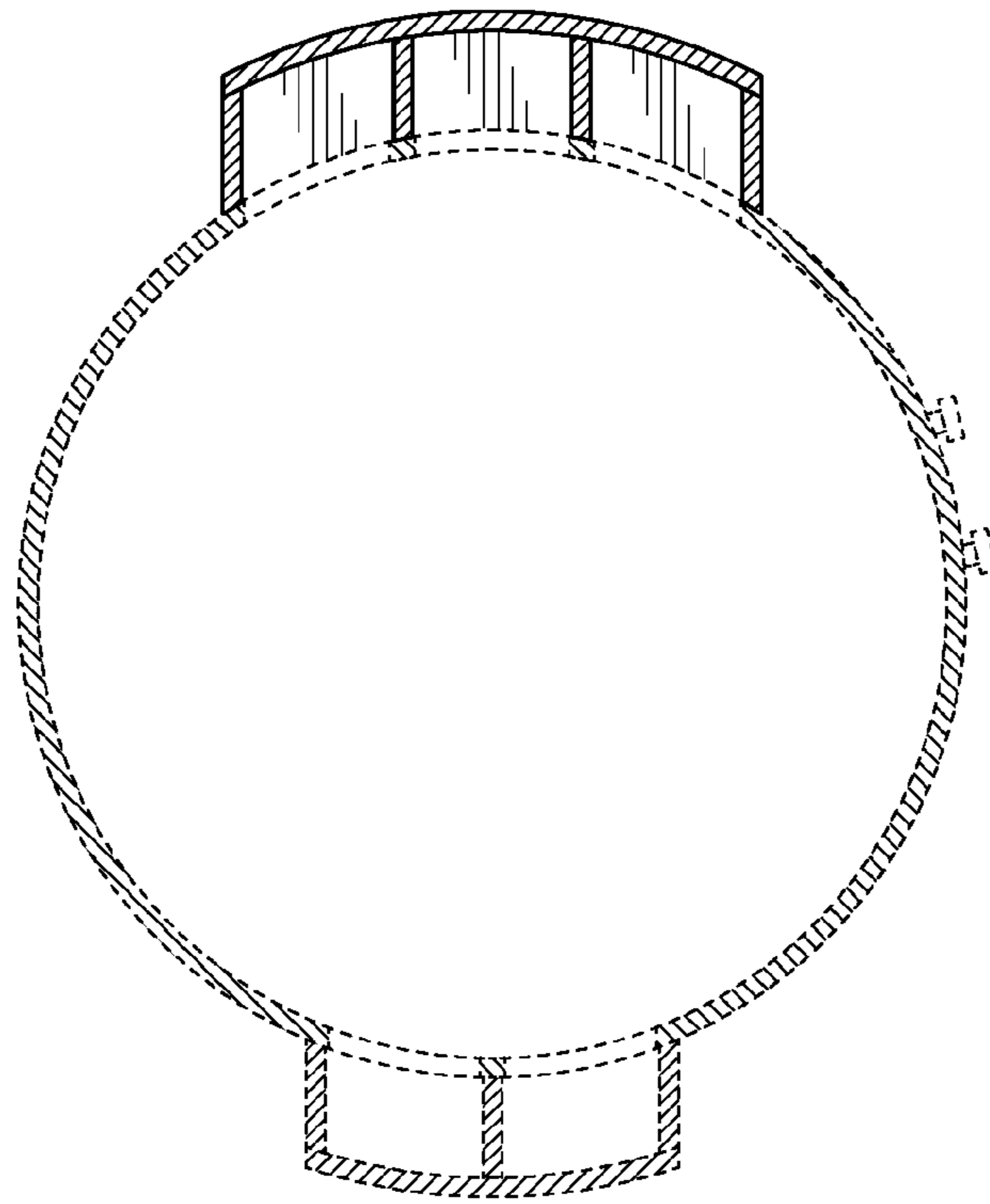


FIG. 11

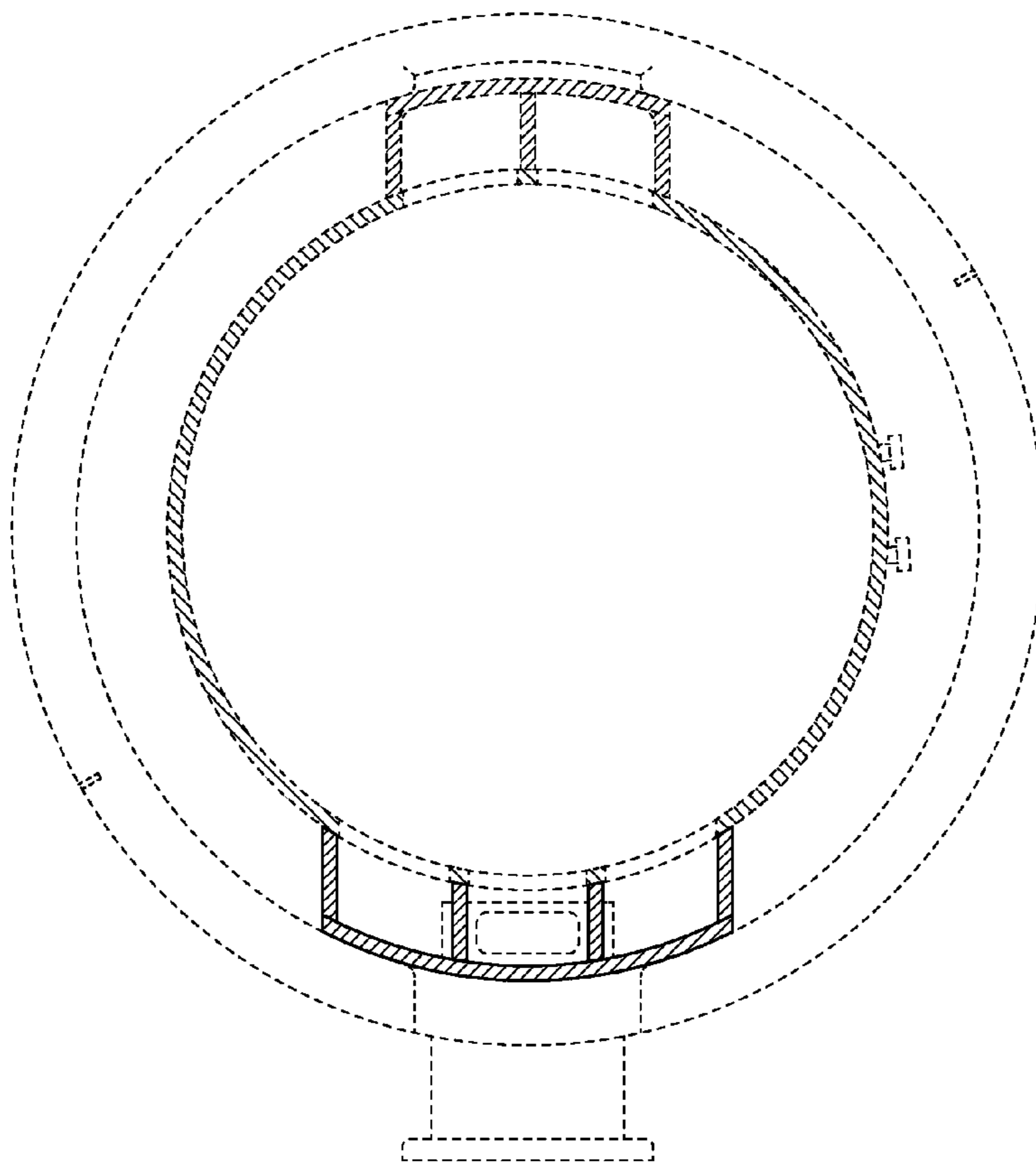


FIG. 12

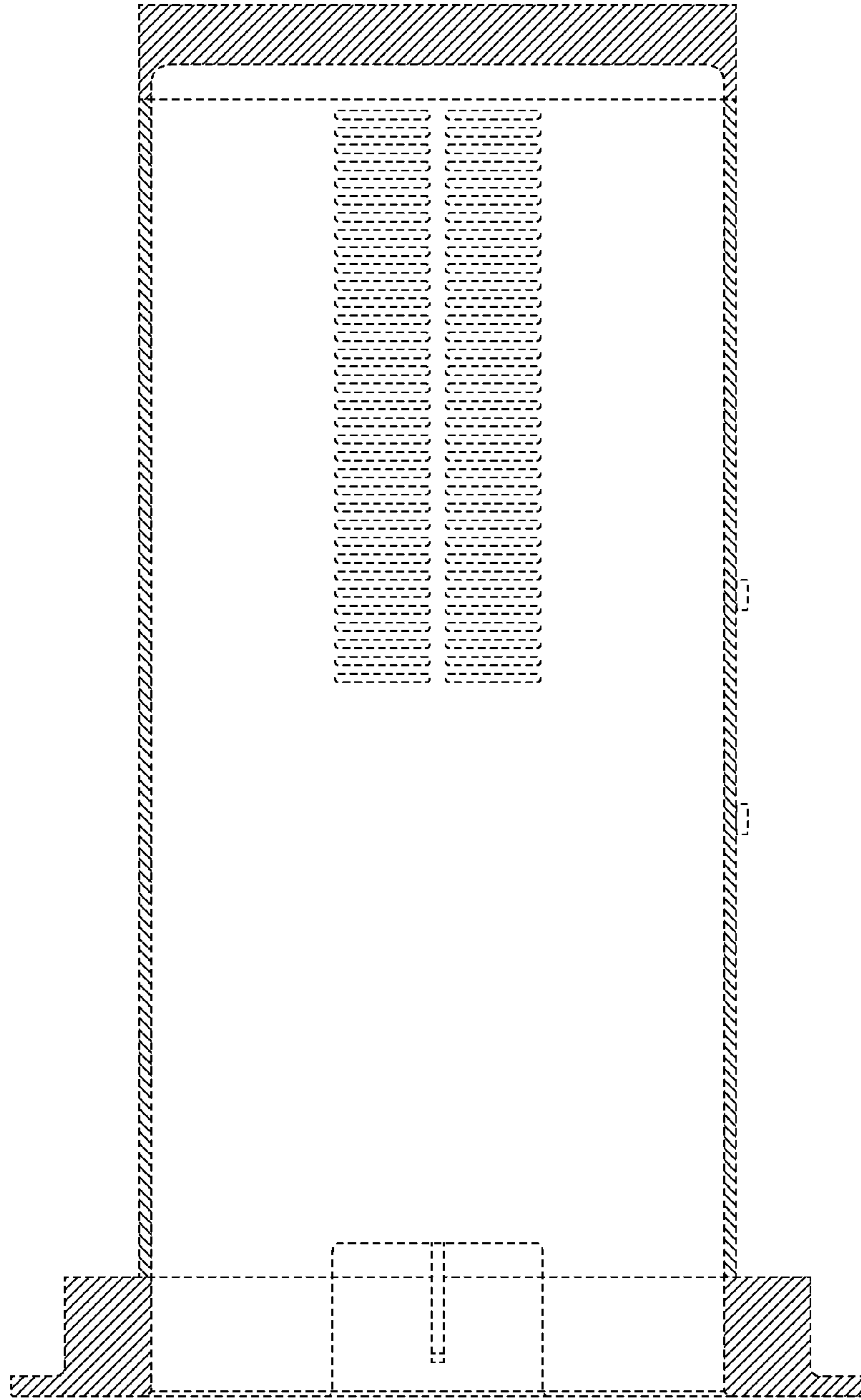


FIG. 13

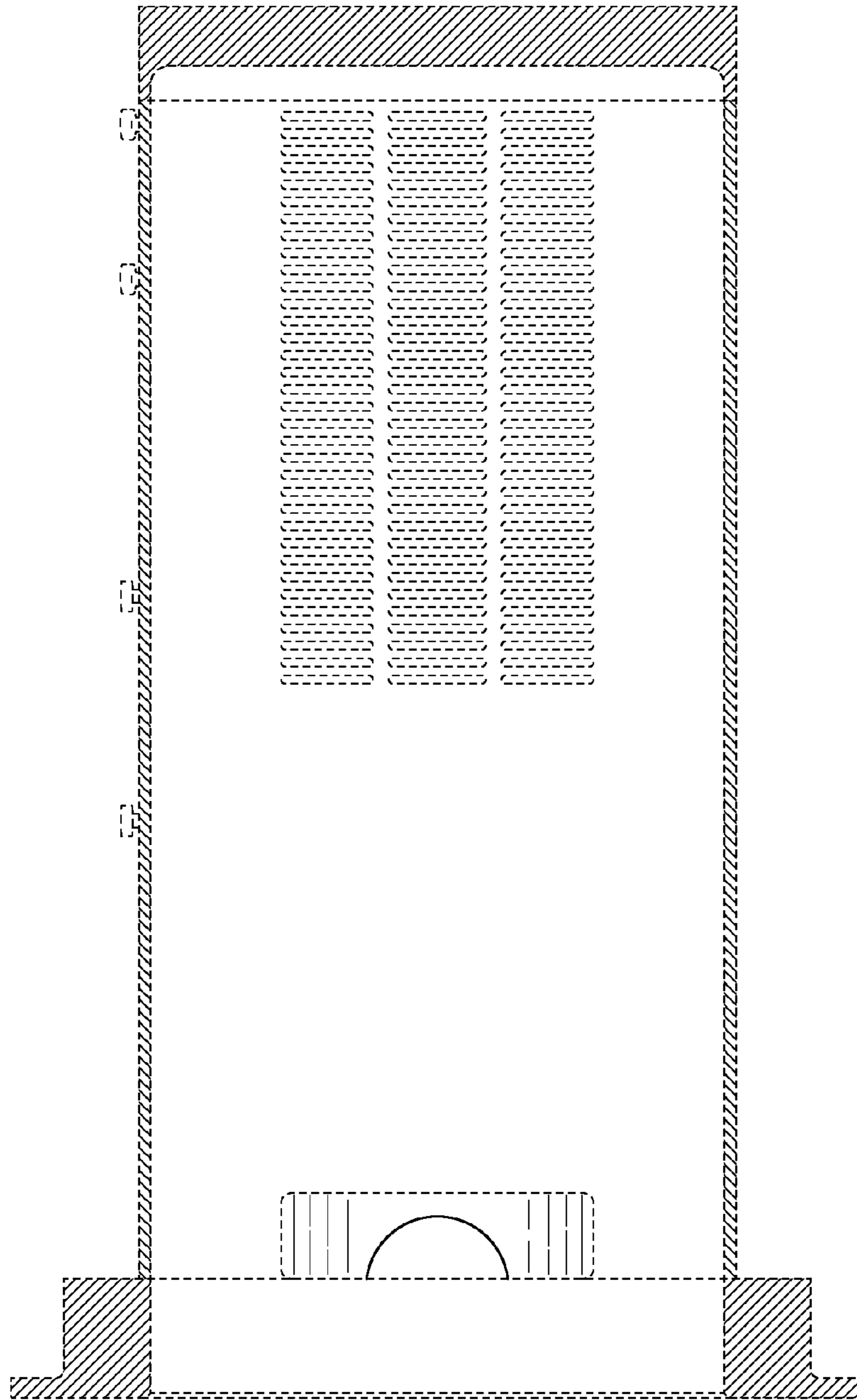


FIG. 14