



US00D770987S

(12) **United States Design Patent**  
**Ishimori et al.**

(10) **Patent No.:** **US D770,987 S**  
(45) **Date of Patent:** **\*\* Nov. 8, 2016**

(54) **LIGHT EMITTING DIODE**  
(71) Applicant: **Panasonic Intellectual Property Management Co., Ltd., Osaka (JP)**  
(72) Inventors: **Atsuyoshi Ishimori, Osaka (JP); Toshifumi Ogata, Osaka (JP); Toshiaki Kurachi, Kyoto (JP)**  
(73) Assignee: **Panasonic Intellectual Property Management Co., Ltd., Osaka (JP)**  
(\*\*) Term: **14 Years**  
(21) Appl. No.: **29/523,266**  
(22) Filed: **Apr. 8, 2015**

(30) **Foreign Application Priority Data**

Oct. 17, 2014 (JP) ..... 2014-023296  
Oct. 17, 2014 (JP) ..... 2014-023297  
Oct. 17, 2014 (JP) ..... 2014-023299  
Oct. 17, 2014 (JP) ..... 2014-023300

(51) **LOC (10) Cl.** ..... **13-03**

(52) **U.S. Cl.**  
USPC ..... **D13/180**

(58) **Field of Classification Search**

USPC ..... D13/180; D26/1  
CPC . H01L 25/167; H01L 25/0753; H01L 27/15;  
H01L 27/156; H01L 31/02; H01L 33/00;  
H01L 33/04; H01L 33/08; H01L 33/10;  
H01L 33/20; H01L 33/38; H01L 33/42;  
H01L 33/48; H01L 33/62; H01L 33/483;  
H01L 33/486; F21K 9/00; F21K 9/30;  
F21K 9/54

See application file for complete search history.

(56) **References Cited**

**U.S. PATENT DOCUMENTS**

D637,565 S \* 5/2011 Wu ..... D13/180  
D682,224 S \* 5/2013 Sasano ..... D13/180  
D714,236 S \* 9/2014 Watanabe ..... D13/180

D727,273 S \* 4/2015 Oka ..... D13/180  
D727,860 S \* 4/2015 Watanabe ..... D13/180  
9,146,008 B2 \* 9/2015 Shimozawa ..... F21K 9/56  
9,153,561 B2 \* 10/2015 Sasano ..... H01L 25/0753  
9,243,791 B2 \* 1/2016 Agatani ..... H01L 25/0753  
9,245,873 B2 \* 1/2016 Sasano ..... H01L 25/0753  
2014/0084311 A1 \* 3/2014 Takeda ..... H01L 25/0753  
257/88  
2014/0197431 A1 \* 7/2014 Oka ..... H01L 25/0753  
257/88  
2014/0286007 A1 \* 9/2014 Oyaizu ..... F21K 9/00  
362/231  
2014/0291706 A1 \* 10/2014 Lin ..... H01L 33/52  
257/88  
2015/0117020 A1 \* 4/2015 Hata ..... H01L 25/0753  
362/294  
2015/0137157 A1 \* 5/2015 Chou ..... H01L 25/0753  
257/98  
2015/0155457 A1 \* 6/2015 Kawano ..... H01L 33/60  
438/27

(Continued)

*Primary Examiner* — Selina Sikder  
(74) *Attorney, Agent, or Firm* — Panasonic IP Management; Kerry S. Culpepper

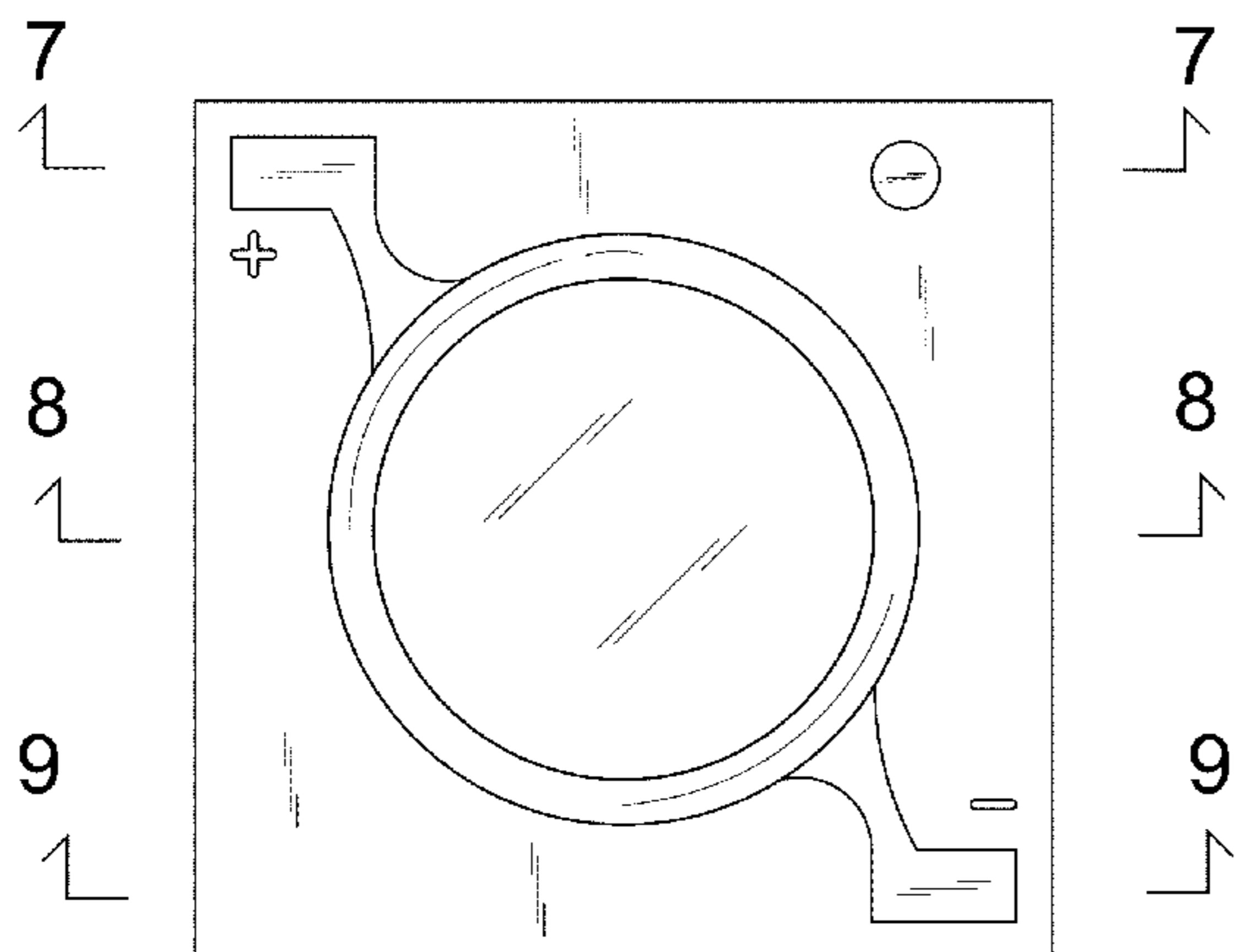
(57) **CLAIM**

We claim the ornamental design for a light emitting diode, as shown and described.

**DESCRIPTION**

FIG. 1 is a top view of a light emitting diode of the present invention;  
FIG. 2 is a front view thereof;  
FIG. 3 is a rear view thereof;  
FIG. 4 is a left side view thereof;  
FIG. 5 is a right side view thereof;  
FIG. 6 is a bottom view thereof;  
FIG. 7 is a sectional view taken along the line 7-7 in FIG. 1;  
FIG. 8 is a sectional view taken along the line 8-8 in FIG. 1; and,  
FIG. 9 is a sectional view taken along the line 9-9 in FIG. 1.  
The cross sectional views shown in FIGS. 7-9 are included for the purpose of showing external surface contours which may not be clear from the remaining illustrations. Any features of internal construction shown are incidental and form no part of the claimed design.

**1 Claim, 9 Drawing Sheets**



# US D770,987 S

Page 2

---

(56)

## References Cited

### U.S. PATENT DOCUMENTS

2015/0311414 A1*	10/2015	Lin	.....	H01L 33/62	257/88
2016/0079492 A1*	3/2016	Ishimori	.....	H01L 33/54	257/98
2016/0087178 A1*	3/2016	Park	.....	H01L 25/0753	257/88
2016/0091191 A1*	3/2016	Matsuda	.....	F21V 19/004	362/382
2016/0111402 A1*	4/2016	Sasano	.....	H01L 25/0753	257/88

\* cited by examiner

FIG.1

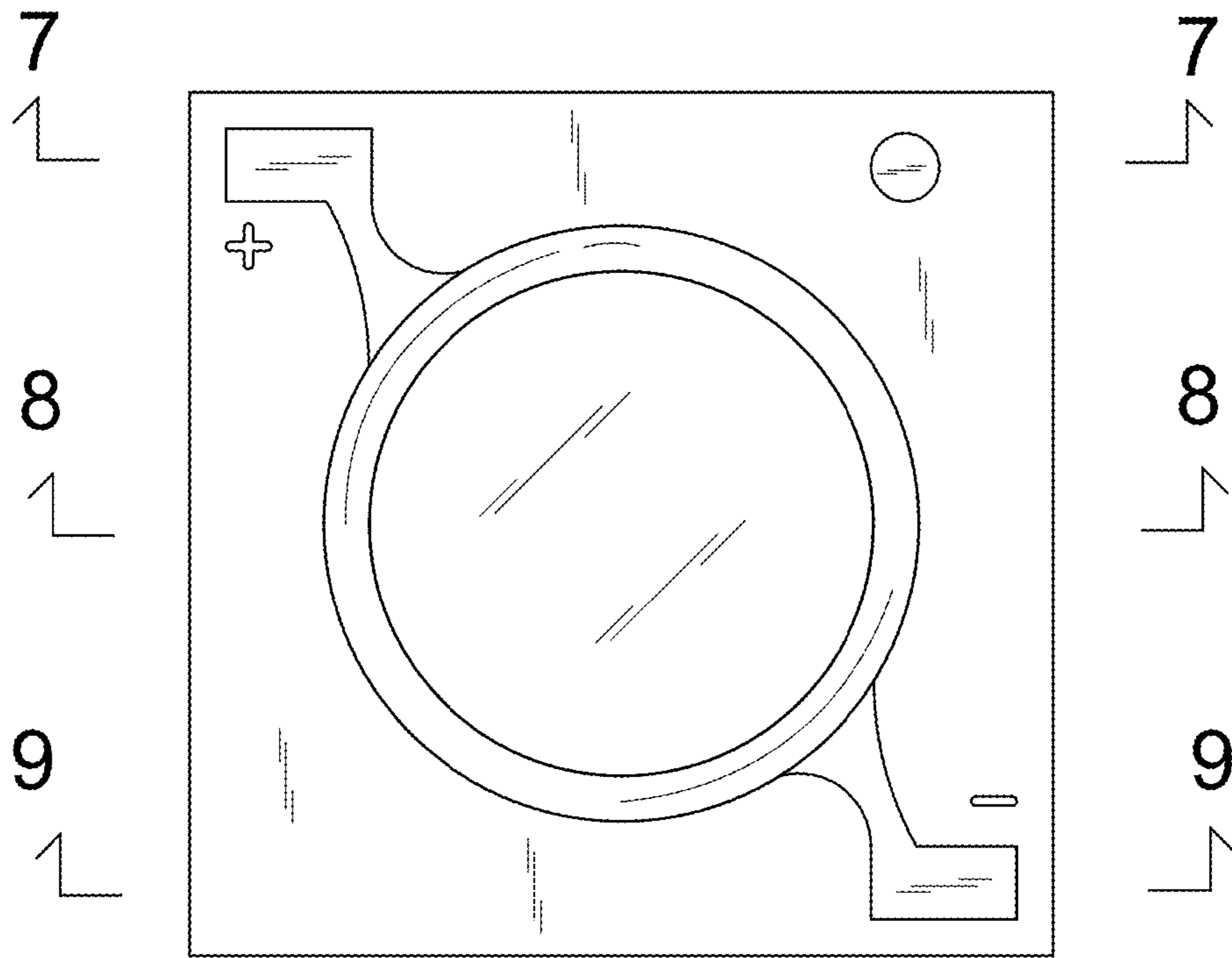


FIG.2

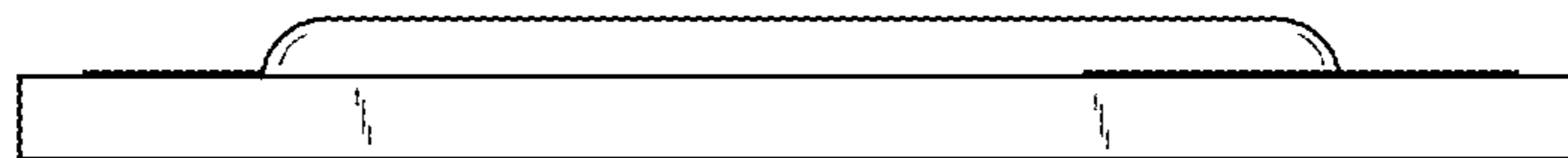


FIG.3

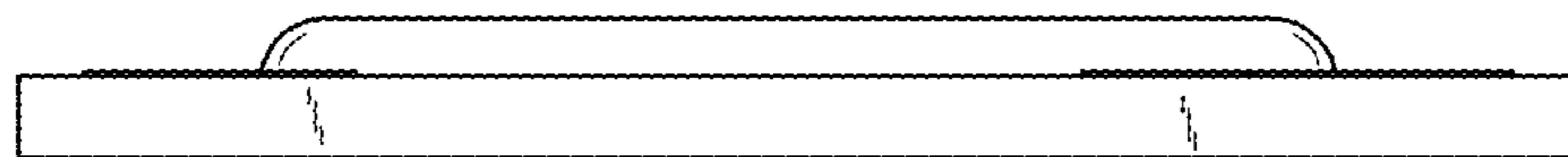


FIG.4



FIG.5



FIG.6

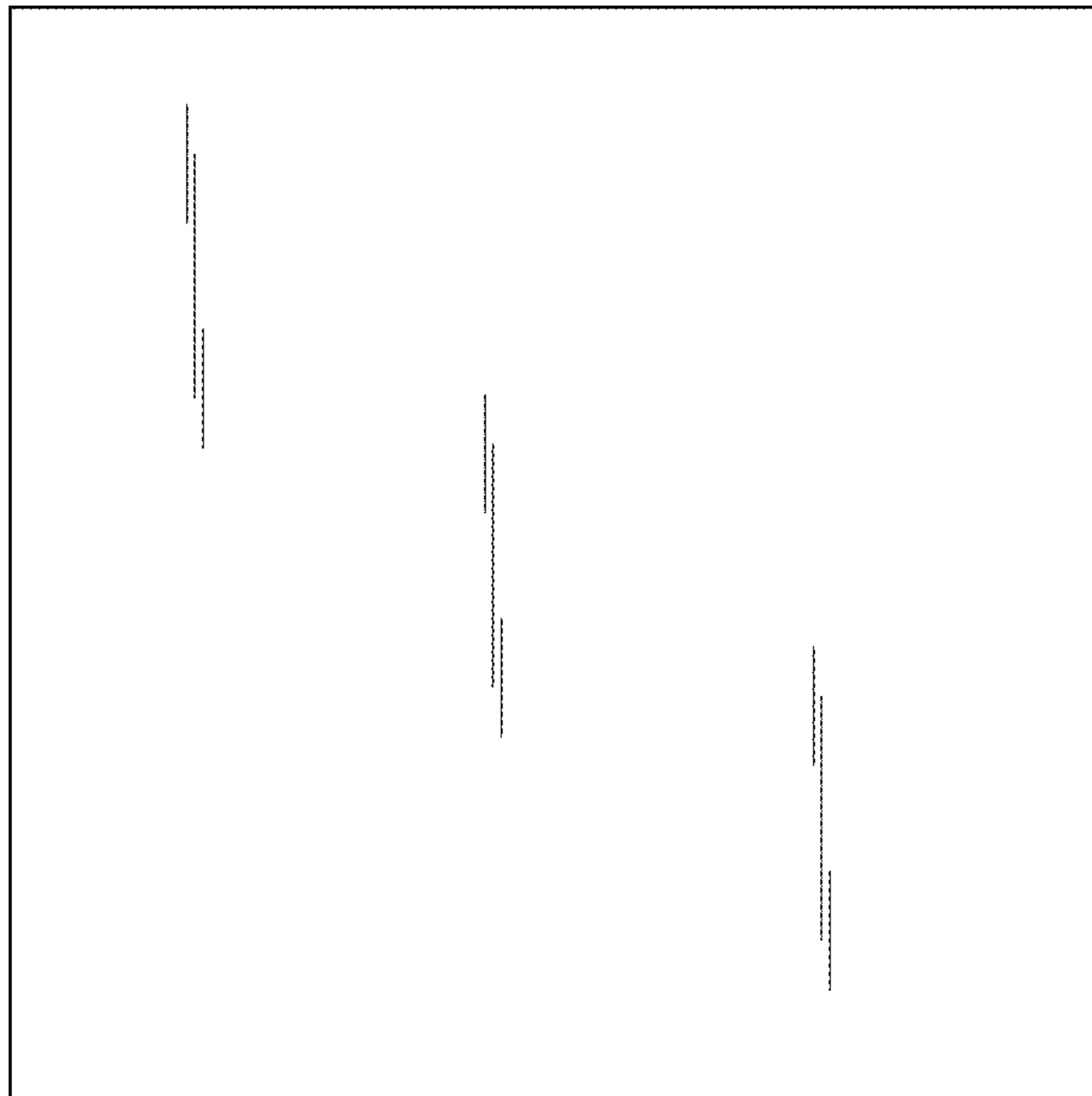




FIG.7



FIG.8

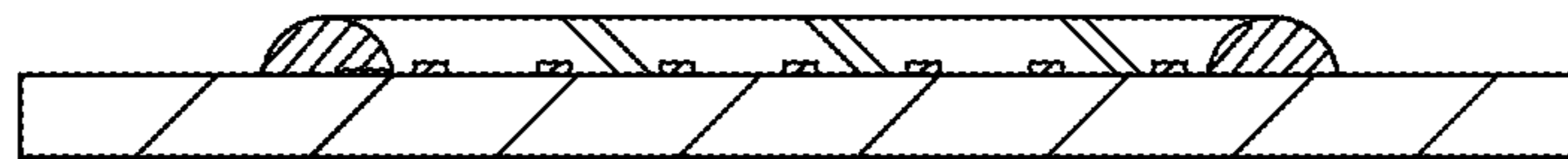


FIG.9

