



US00D770983S

(12) **United States Design Patent** (10) **Patent No.:** **US D770,983 S**
Sato et al. (45) **Date of Patent:** **** Nov. 8, 2016**

(54) **CONNECTOR**

(71) Applicant: **IRISO ELECTRONICS CO., LTD.**,
Yokohama, Kanagawa (JP)

(72) Inventors: **Katsumasa Sato**, Kanagawa (JP);
Hiroaki Kobayashi, Kanagawa (JP);
Yoshiyuki Ogura, Kanagawa (JP); **Koji**
Kuniyoshii, Kanagawa (JP)

(73) Assignee: **IRISO ELECTRONICS CO., LTD.**,
Kanagawa (JP)

(**) Term: **15 Years**

(21) Appl. No.: **29/530,762**

(22) Filed: **Jun. 19, 2015**

(30) **Foreign Application Priority Data**

Dec. 19, 2014 (JP) 2014-028526

(51) **LOC (10) Cl.** **13-03**

(52) **U.S. Cl.**
USPC **D13/147**

(58) **Field of Classification Search**
USPC D13/146, 147, 154, 184, 199; D14/432,
D14/433, 435.1
CPC .. H01R 24/60; H01R 24/70; H01R 13/5205;
H01R 13/5219; H01R 13/642; H01R
13/6471; H01R 13/6581; H01R 13/6582;
H01R 13/6285; H01R 13/6591; H01R
13/6596

See application file for complete search history.

(56) **References Cited**

U.S. PATENT DOCUMENTS

4,487,464 A * 12/1984 Kirschenbaum H01R 31/085
439/507
D435,244 S * 12/2000 Lok D13/147
D476,955 S * 7/2003 Ushiro D13/147
D476,956 S * 7/2003 Sukegawa D13/147

* cited by examiner

Primary Examiner — Daniel Bui

(74) *Attorney, Agent, or Firm* — Buchanan Ingersoll &
Rooney PC

(57) **CLAIM**

The ornamental design for a connector, as shown and
described.

DESCRIPTION

FIG. 1 is a front elevational view of a connector showing our
new design, a rear elevational view thereof being a same
image;
FIG. 2 is a right side elevational view thereof; a left side
elevational view thereof being a same image;
FIG. 3 is a top plan view thereof;
FIG. 4 is a bottom plan view thereof;
FIG. 5 is a perspective view thereof.
FIG. 6 is a cross-sectional view thereof taken along the line
6-6 in FIG. 1; and,
FIG. 7 is a cross-sectional view thereof taken along the line
7-7 in FIG. 3.

1 Claim, 7 Drawing Sheets

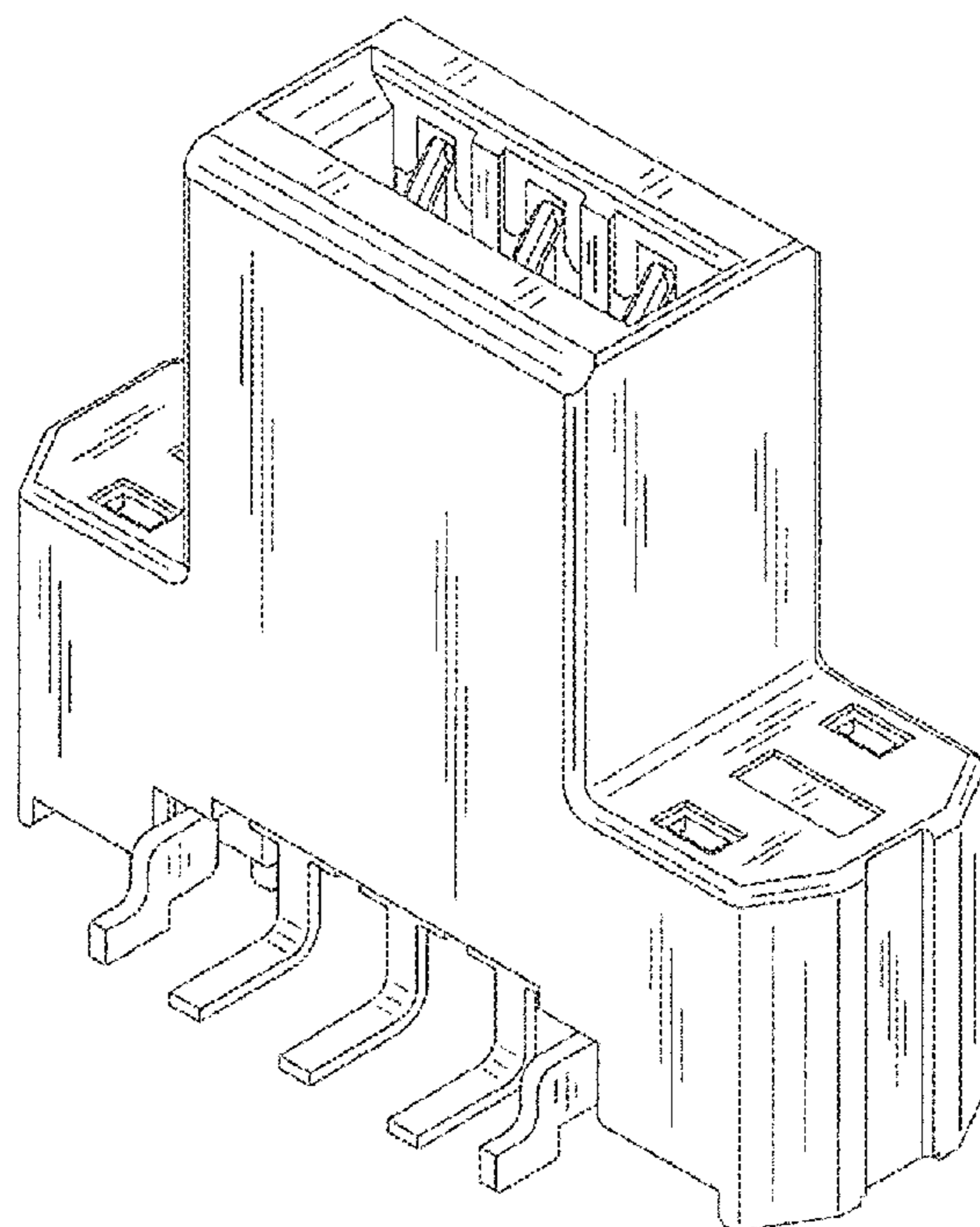


Fig. 1

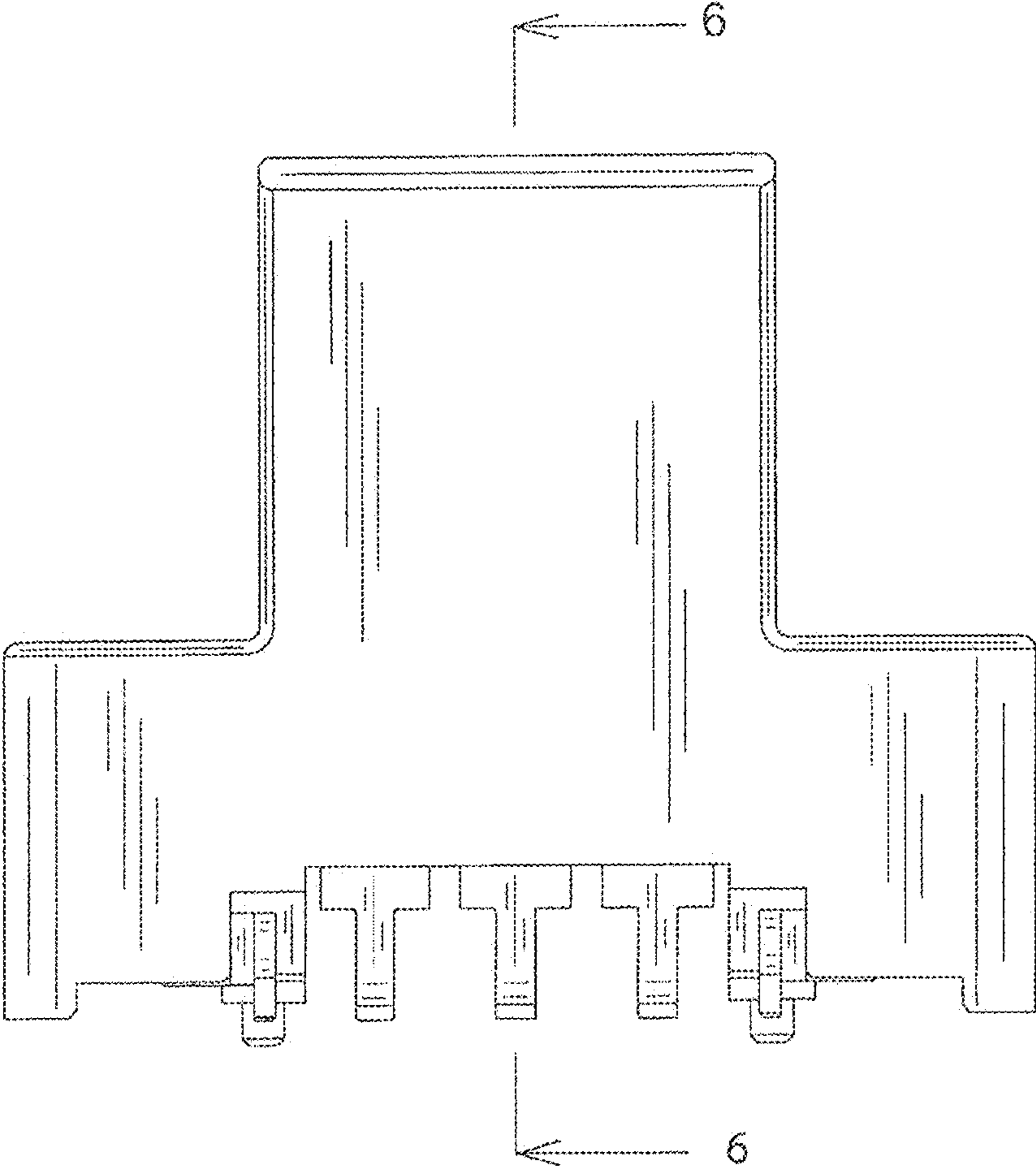


Fig. 2

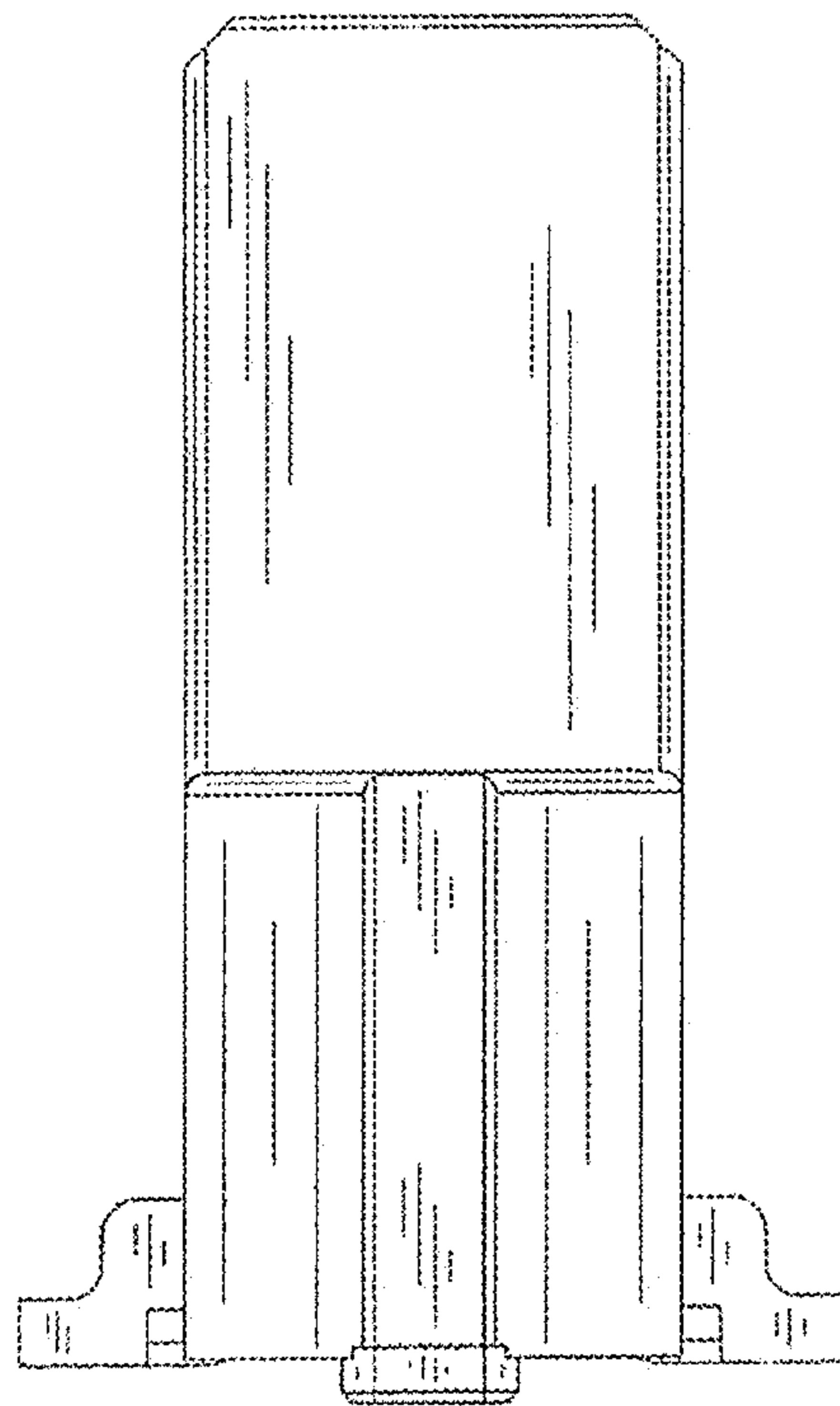


Fig. 3

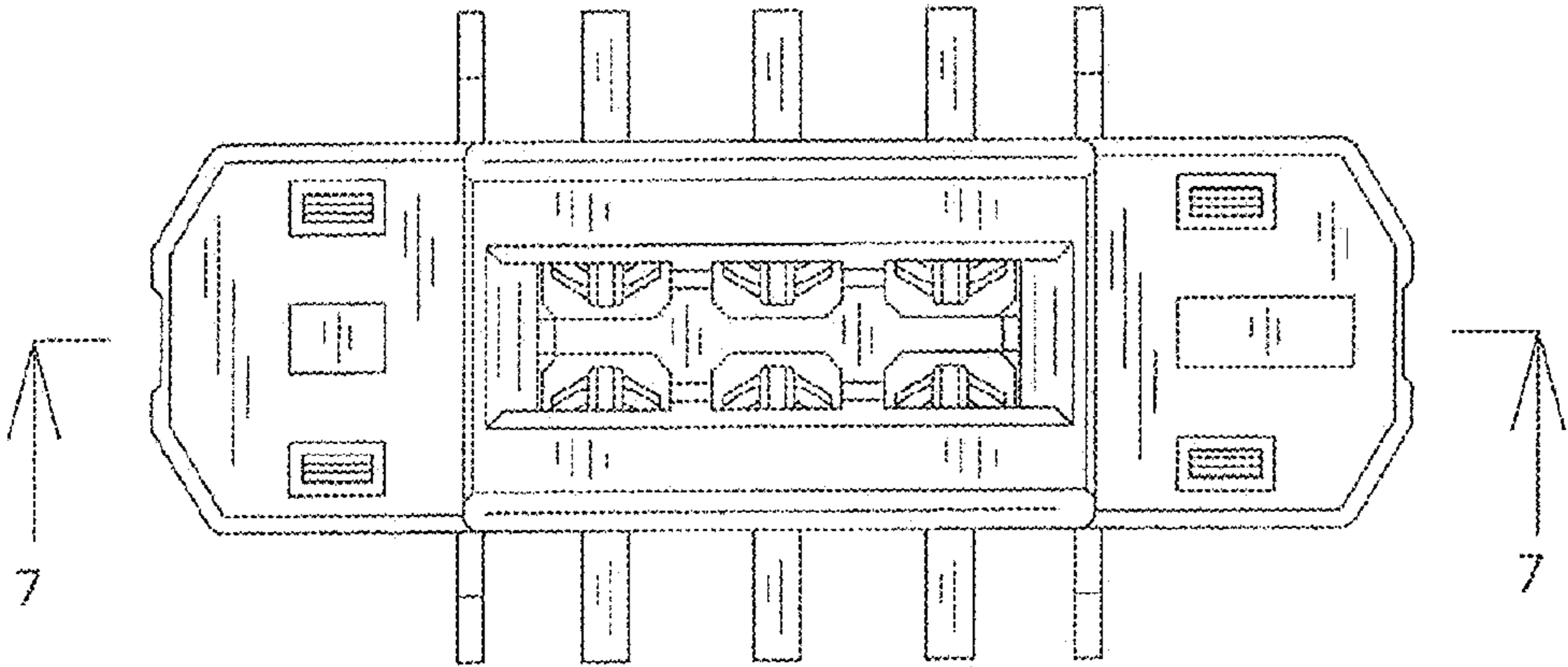


Fig. 4

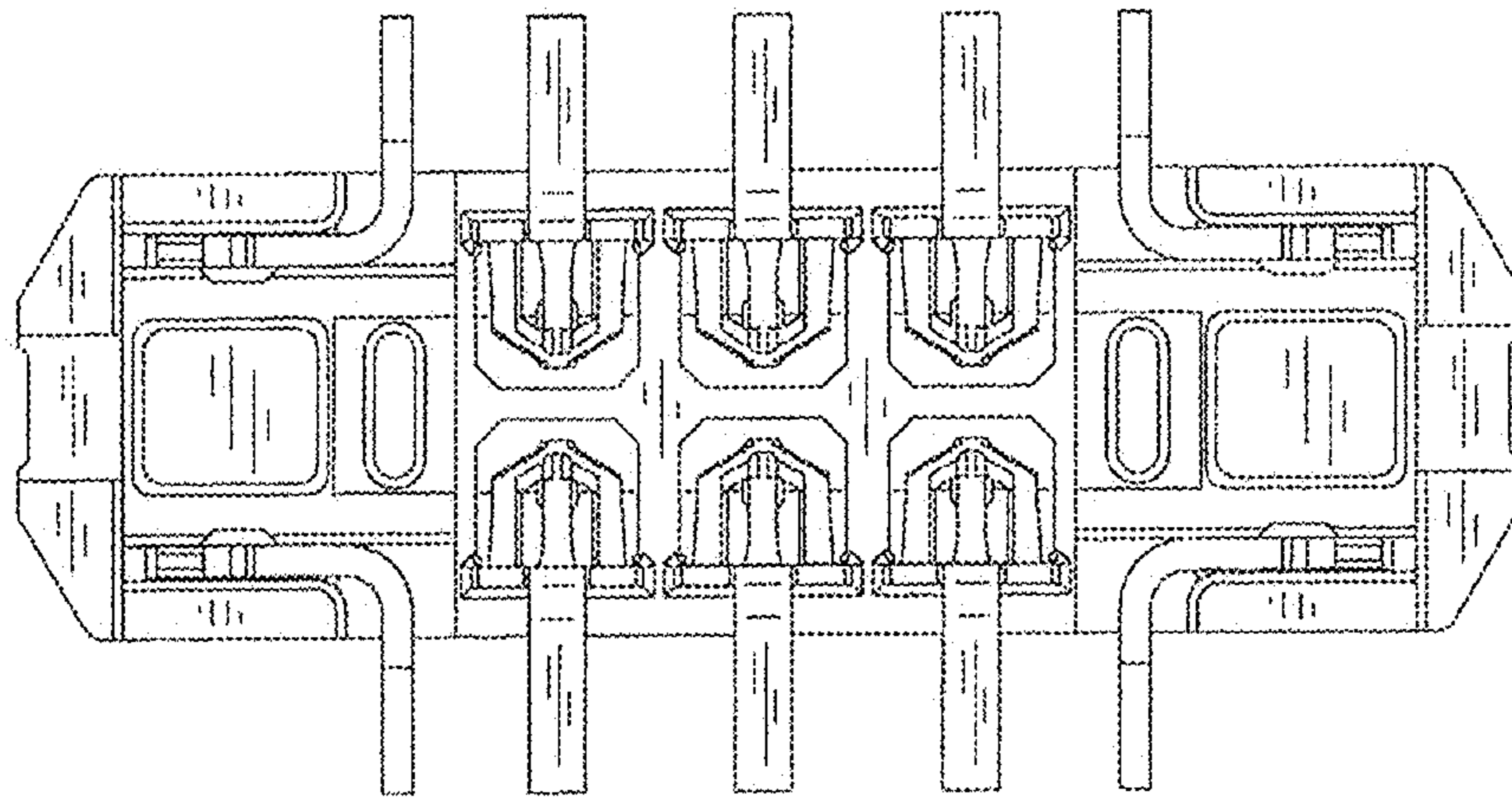


Fig. 5

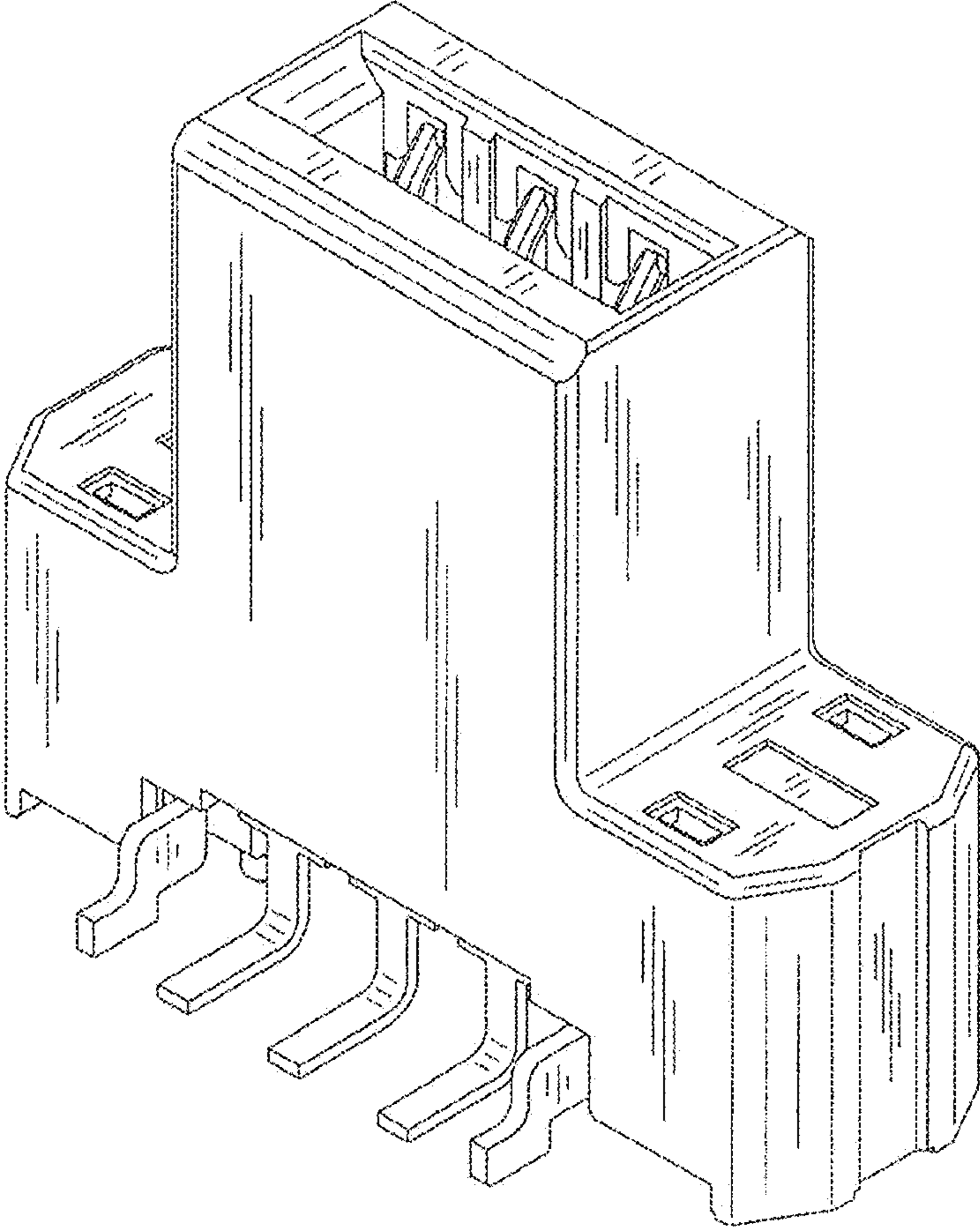


Fig. 6

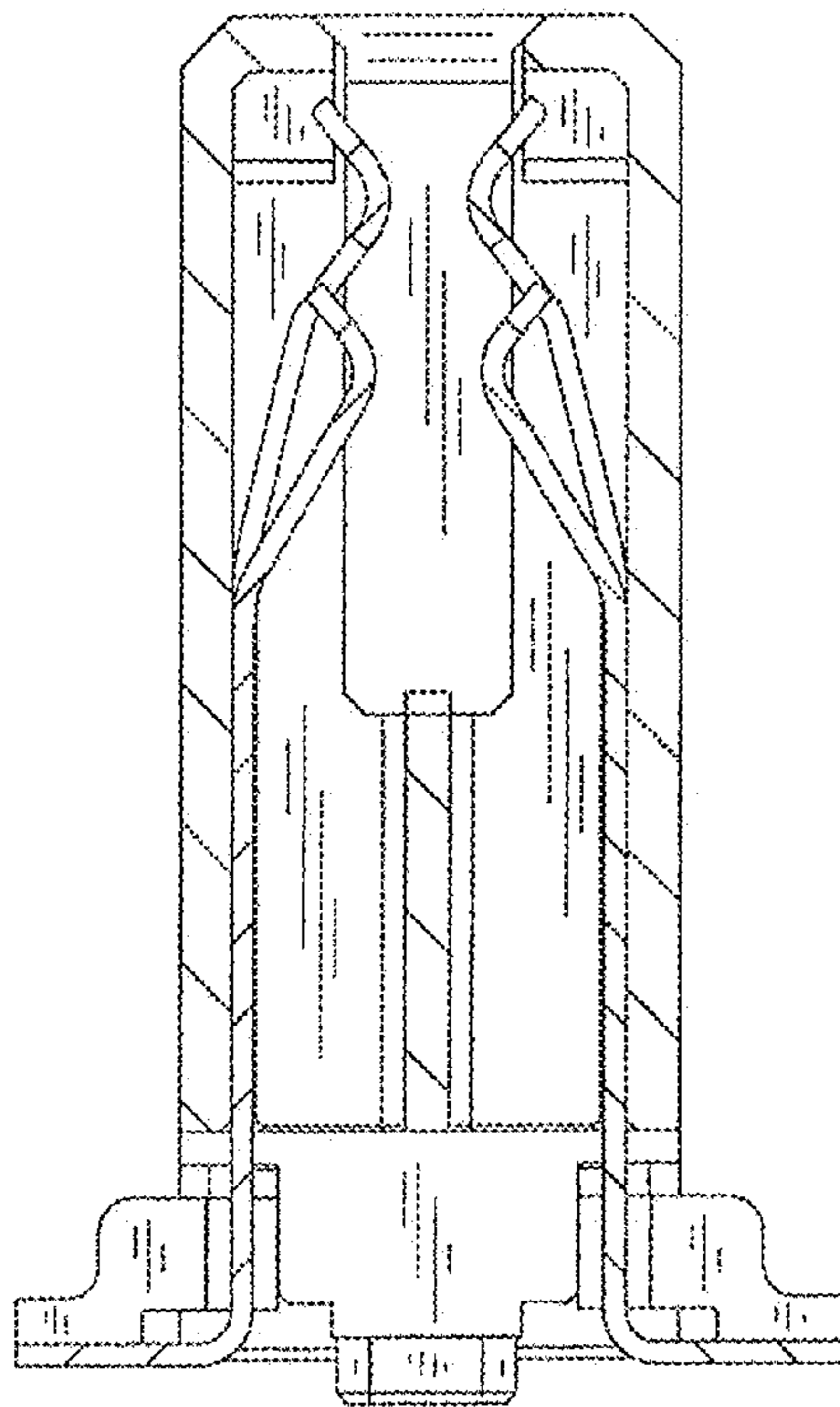


Fig. 7

