



US00D770981S

(12) **United States Design Patent** (10) **Patent No.:** **US D770,981 S**
Corona (45) **Date of Patent:** **** Nov. 8, 2016**

(54) **ELECTRICAL CONNECTOR**

(71) Applicant: **DSM&T Company, Inc.**, Fontana, CA (US)

(72) Inventor: **Sergio Corona**, Upland, CA (US)

(73) Assignee: **DSM&T Company, Inc.**, Fontana, CA (US)

(**) Term: **14 Years**

(21) Appl. No.: **29/522,615**

(22) Filed: **Apr. 1, 2015**

6,379,169	B1	4/2002	Corona	
6,383,003	B1	5/2002	Corona	
D560,610	S *	1/2008	McCoy D13/133
7,390,210	B2	6/2008	Corona	
7,785,123	B2	8/2010	Corona	
D639,743	S *	6/2011	Smith D13/146
D677,629	S	3/2013	Corona	
D678,200	S	3/2013	Corona	
D678,201	S	3/2013	Corona	
D678,202	S	3/2013	Corona	
D678,203	S	3/2013	Corona	
D678,204	S	3/2013	Corona	
D694,189	S *	11/2013	Ledinger D13/146
D697,030	S *	1/2014	Ledinger D13/146
D698,730	S *	2/2014	Hori D13/146
D729,169	S	5/2015	Corona	
D748,058	S *	1/2016	Corona D13/146
D753,065	S *	4/2016	Corona D13/146

* cited by examiner

Related U.S. Application Data

(63) Continuation-in-part of application No. 29/511,404, filed on Dec. 10, 2014, now Pat. No. Des. 748,058.

(51) **LOC (10) Cl.** **13-03**

(52) **U.S. Cl.**
USPC **D13/146**

(58) **Field of Classification Search**
USPC D13/133, 146, 147, 154, 184, 199
CPC H01R 13/4534; H01R 13/506; H01R 13/516; H01R 13/5208; H01R 13/5816; H01R 13/627; H01R 13/64; H01R 13/641; H01R 13/642; H01R 13/659
See application file for complete search history.

Primary Examiner — Daniel Bui

(74) *Attorney, Agent, or Firm* — Keusey & Associates, P.C.

(57) **CLAIM**

The ornamental design for an electrical connector, as shown and described.

DESCRIPTION

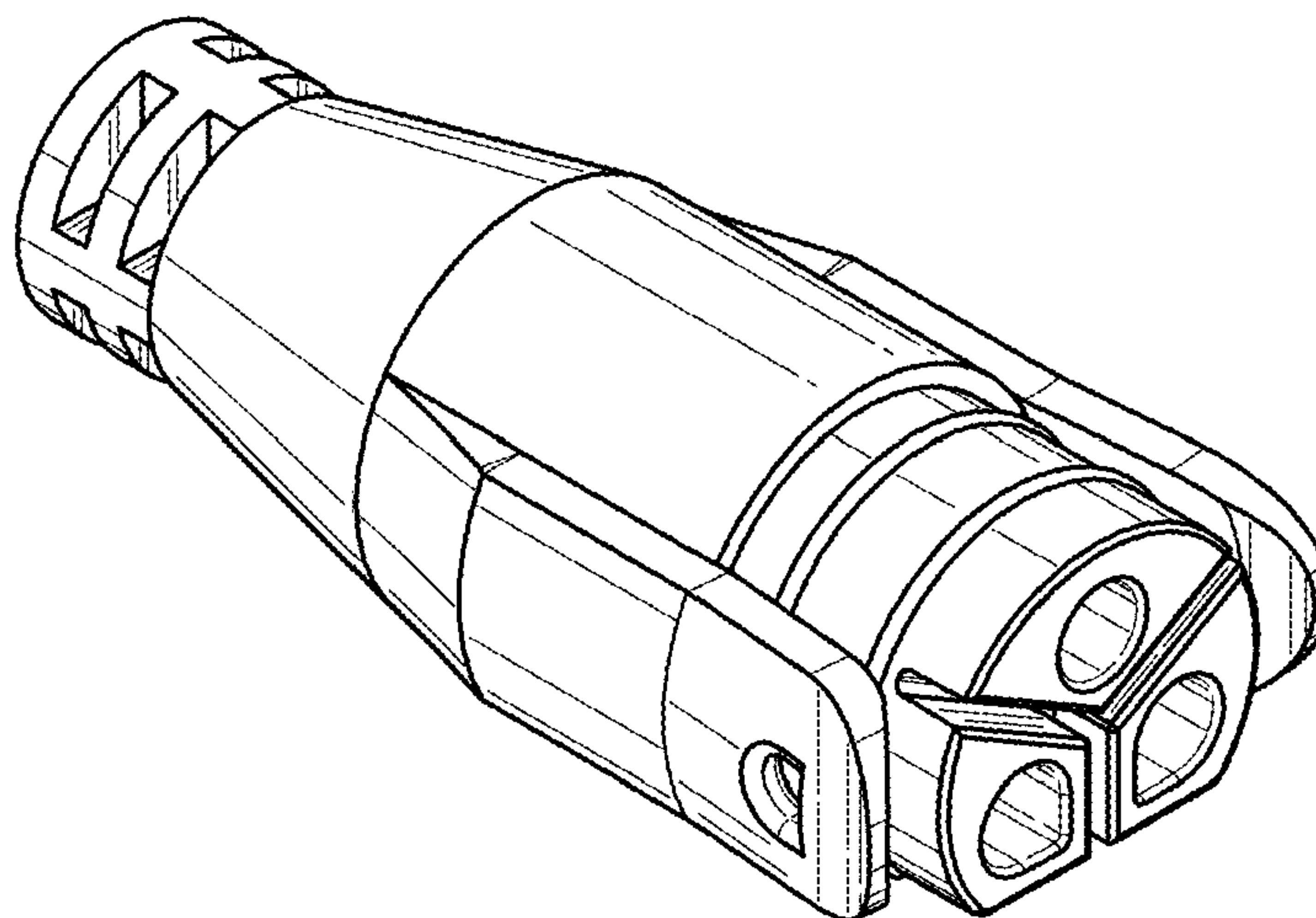
FIG. 1 is a top, front and left side perspective view of an electrical connector showing my new design; FIG. 2 is a right side elevational view thereof; FIG. 3 is a left side elevational view thereof; FIG. 4 is a top plan view thereof; FIG. 5 is a bottom plan view thereof; FIG. 6 is a front elevational view thereof; and, FIG. 7 is a rear elevational view thereof. The broken line in the figure drawing views is for the purpose of illustrating unclaimed environment only and forms no part of the claimed design.

(56) **References Cited**

U.S. PATENT DOCUMENTS

D188,419	S *	7/1960	Danesi D13/146
5,401,181	A	3/1995	Wilson	
D360,871	S	8/1995	Wilson	
D360,872	S	8/1995	Wilson	
D437,828	S	2/2001	Corona	
D439,221	S	3/2001	Corona	
D445,763	S	7/2001	Corona	
D446,186	S	8/2001	Corona	

1 Claim, 2 Drawing Sheets



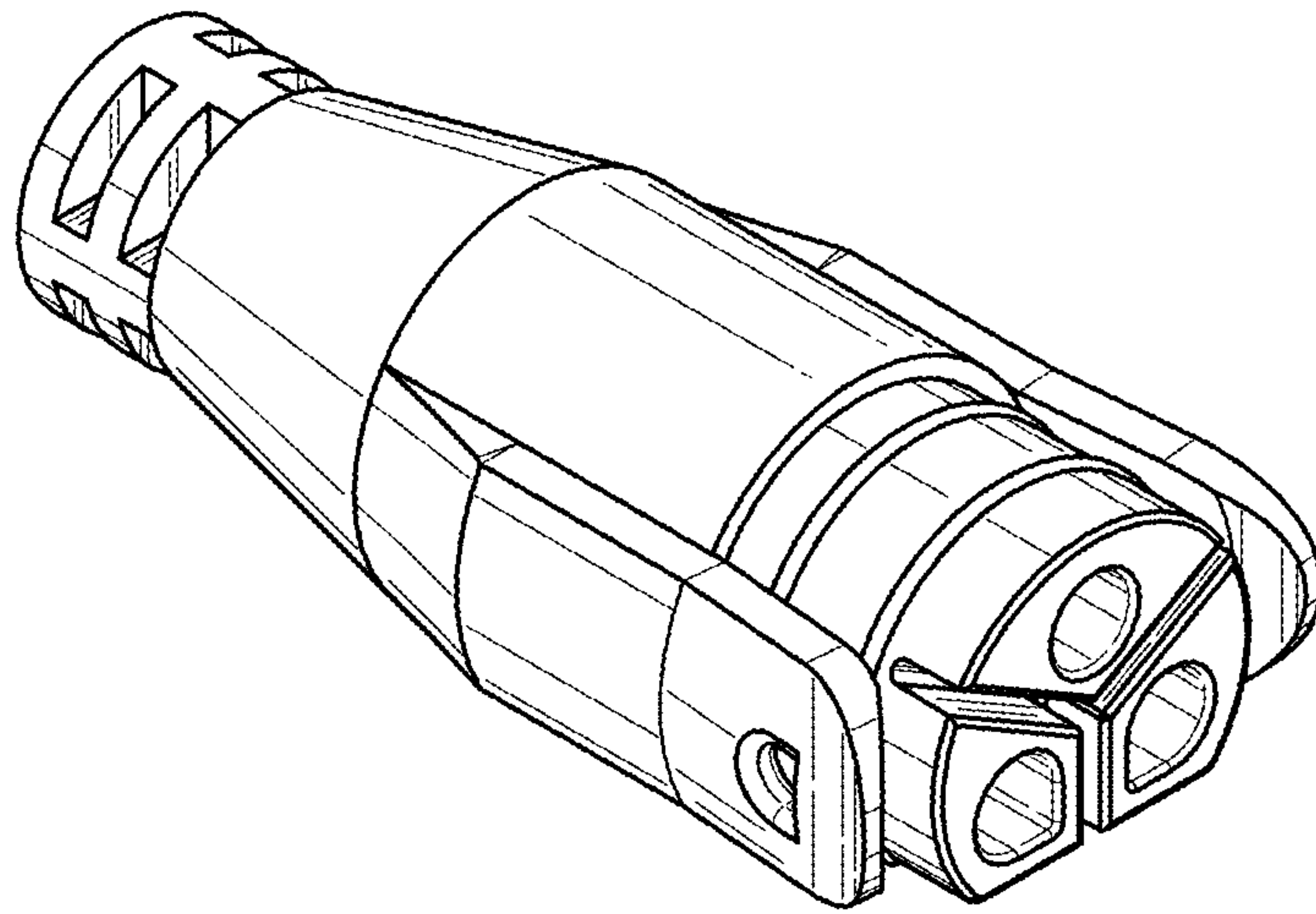


FIG. 1

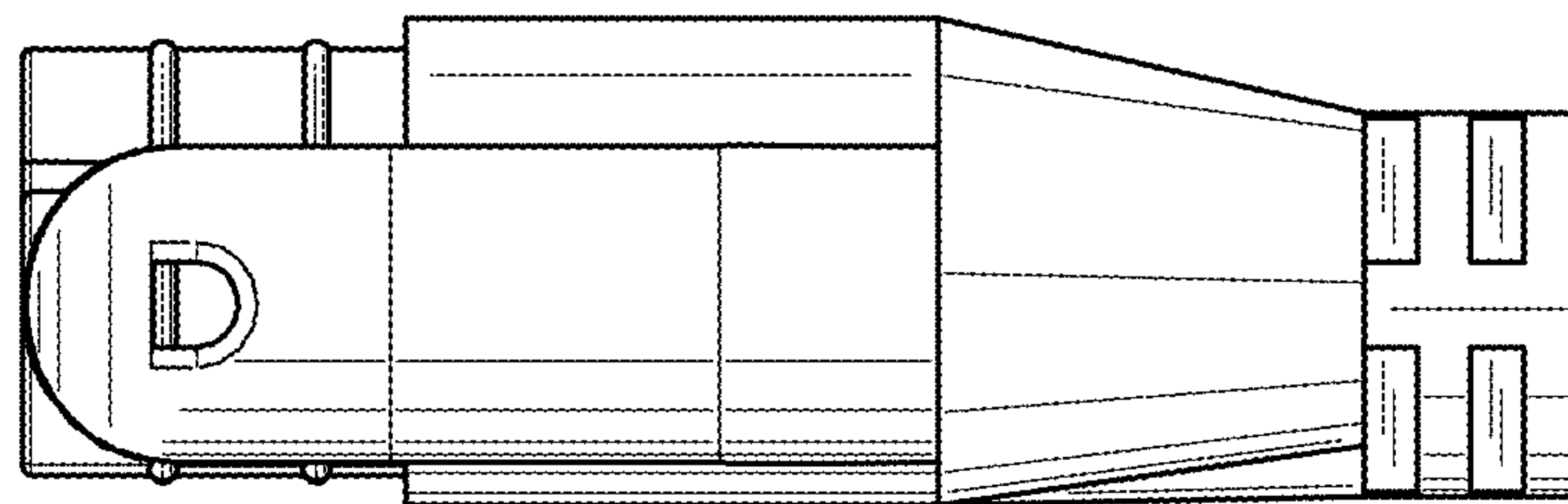


FIG. 2

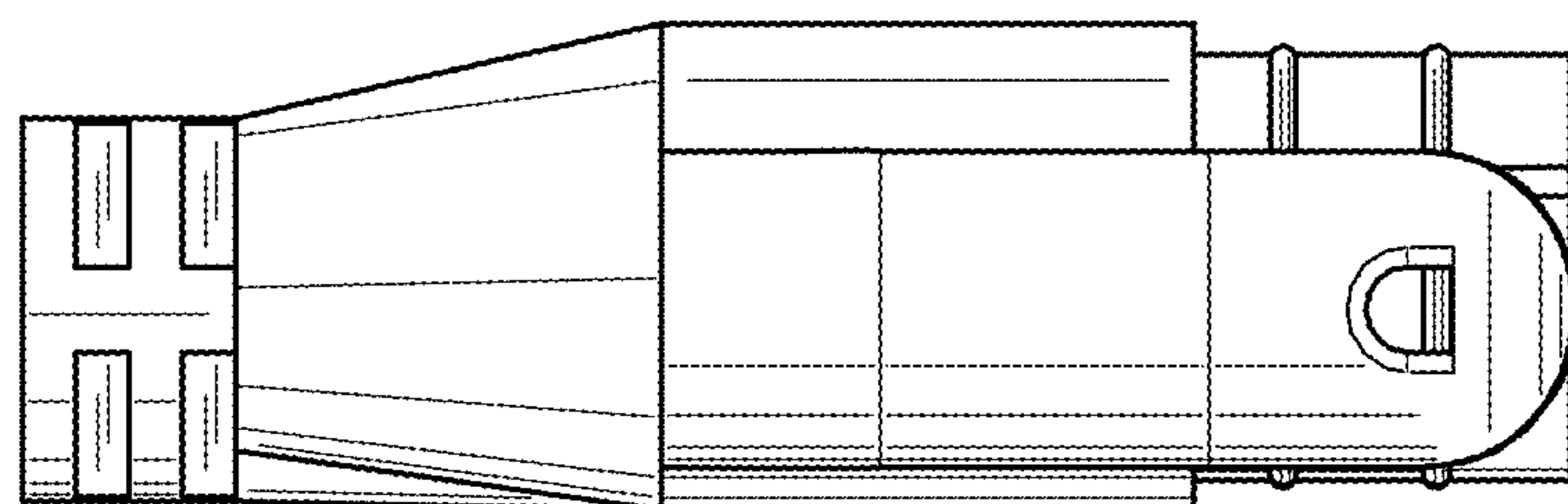


FIG. 3

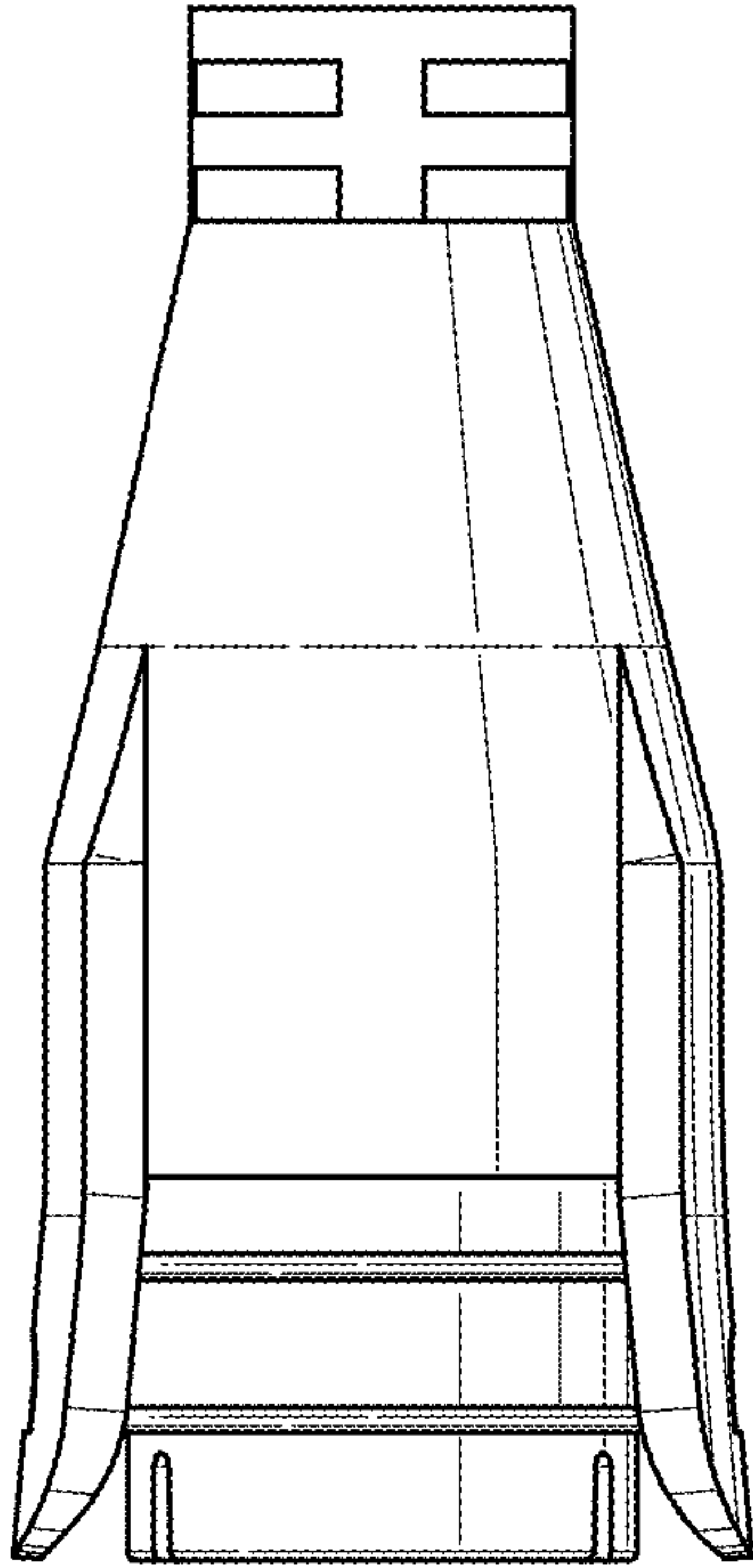


FIG. 4

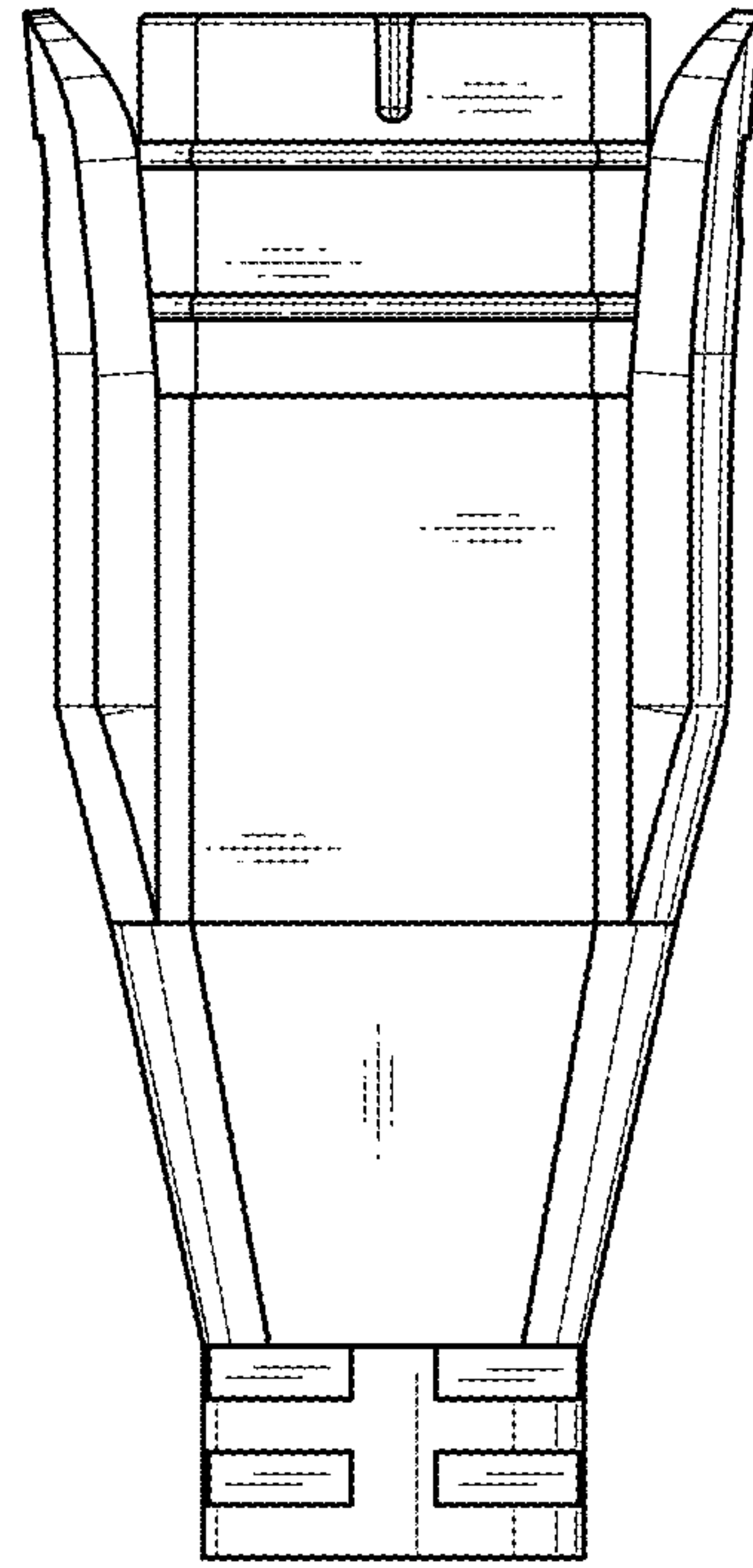


FIG. 5

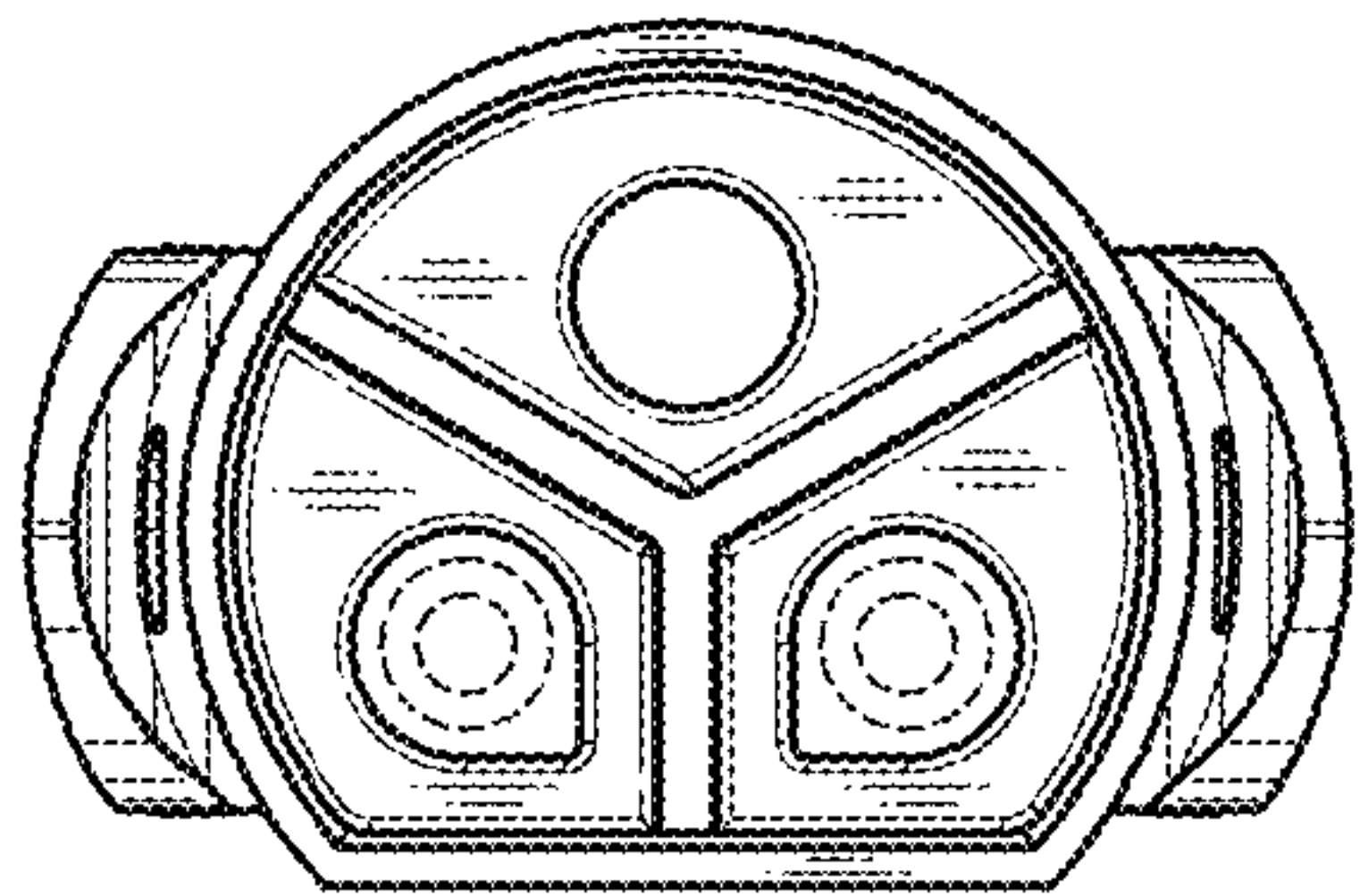


FIG. 6

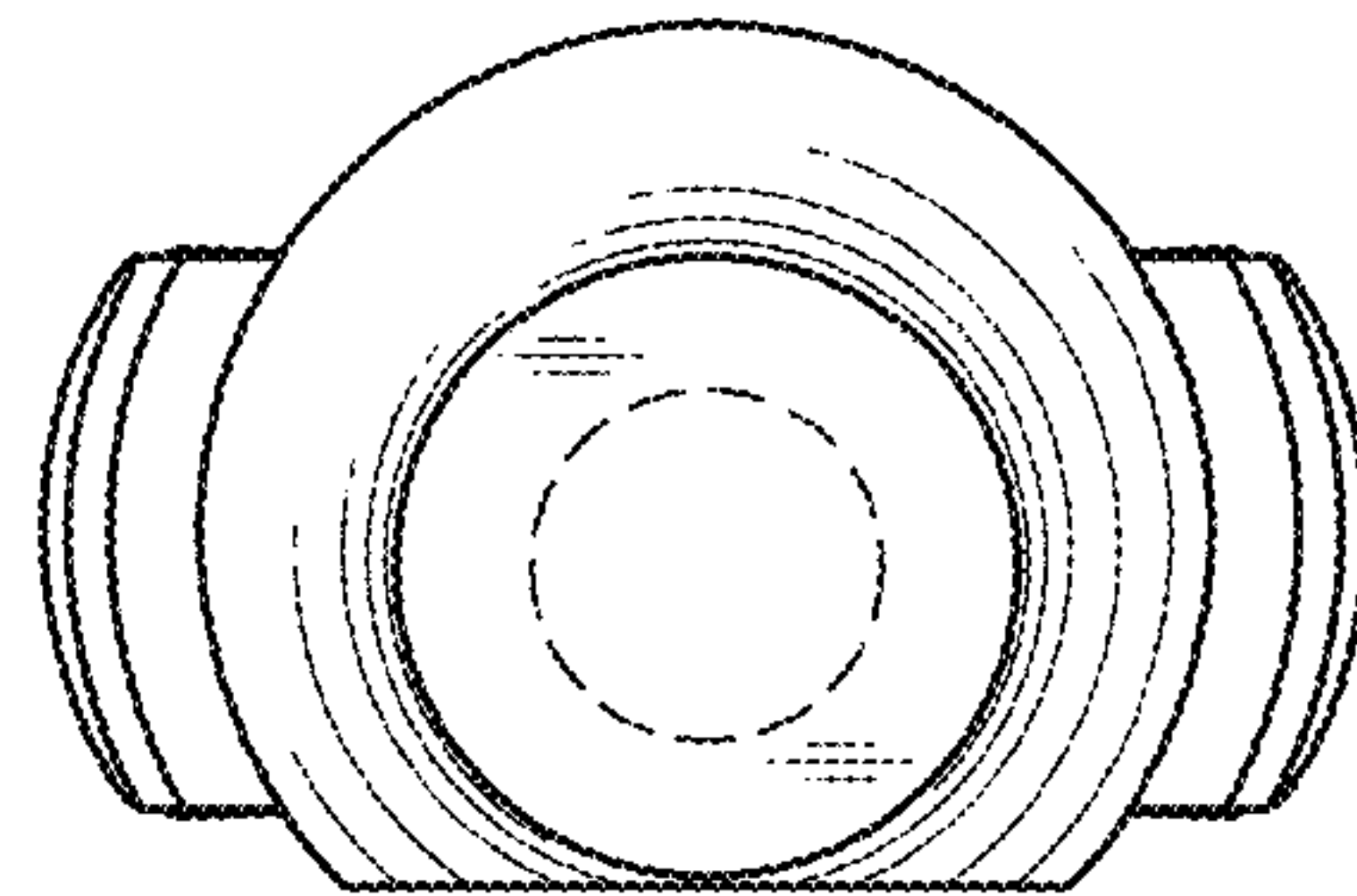


FIG. 7

UNITED STATES PATENT AND TRADEMARK OFFICE
CERTIFICATE OF CORRECTION

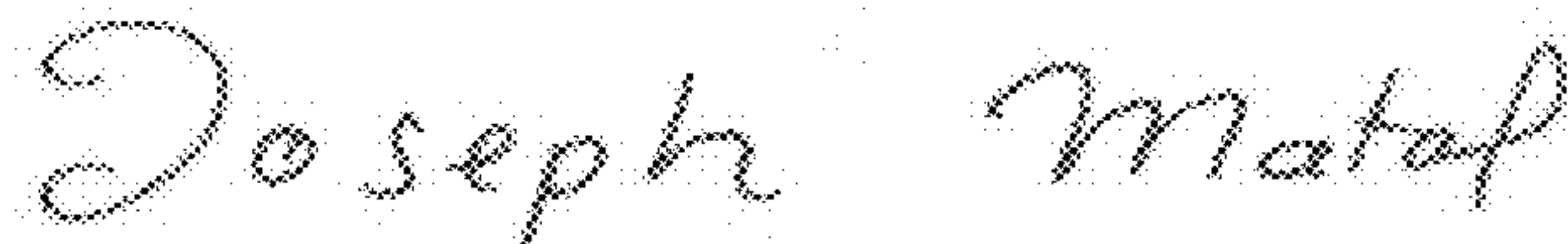
PATENT NO. : D770,981 S
APPLICATION NO. : 29/522615
DATED : November 8, 2016
INVENTOR(S) : Sergio Corona

Page 1 of 3

It is certified that error appears in the above-identified patent and that said Letters Patent is hereby corrected as shown below:

Please replace FIGs. 1-7 with FIGs. 1-7 as shown on attached drawing sheets.

Signed and Sealed this
Seventh Day of November, 2017

A handwritten signature in cursive script that reads "Joseph Matal". The signature is written in black ink and is positioned above the printed name and title.

Joseph Matal
*Performing the Functions and Duties of the
Under Secretary of Commerce for Intellectual Property and
Director of the United States Patent and Trademark Office*

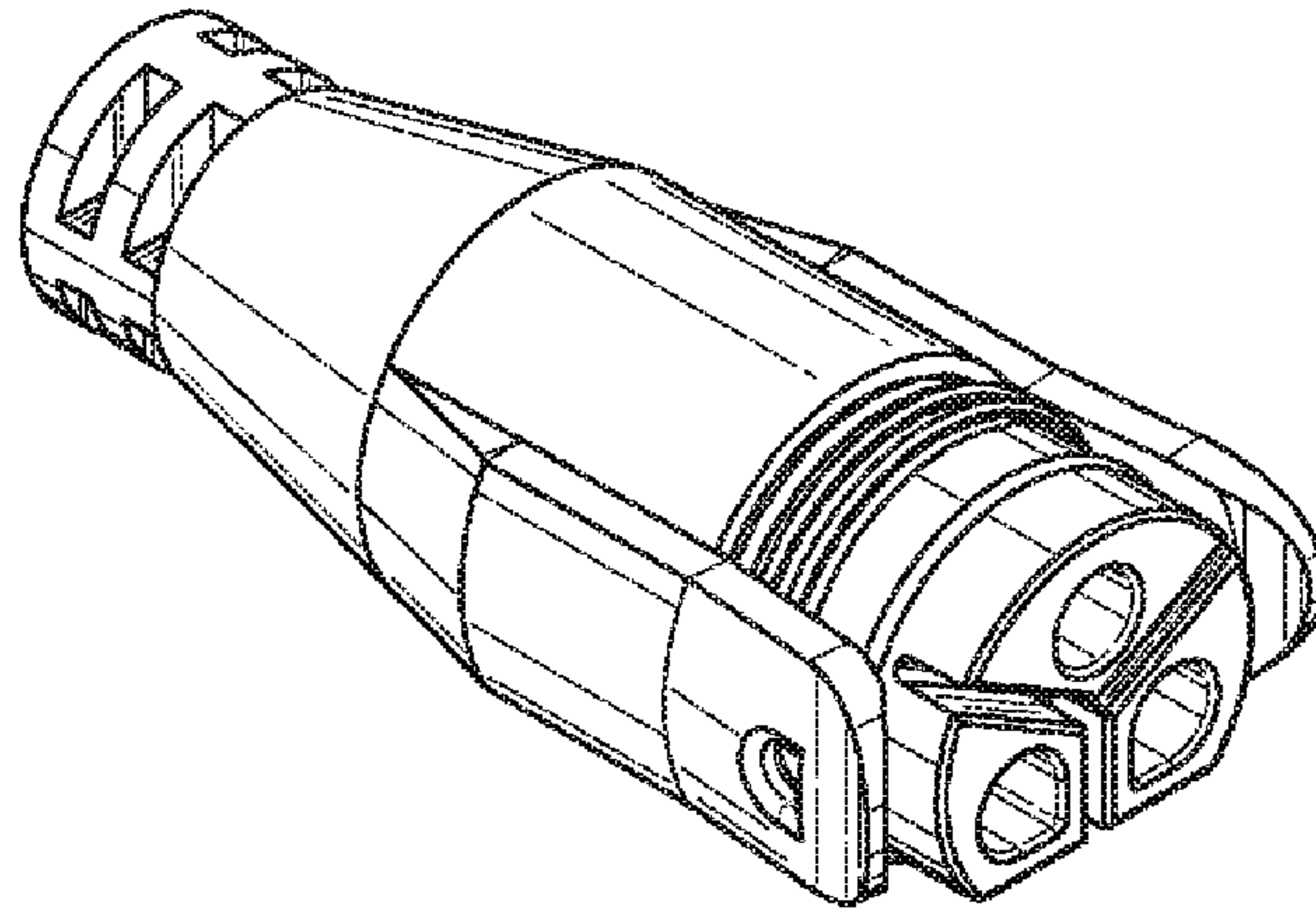


FIG. 1

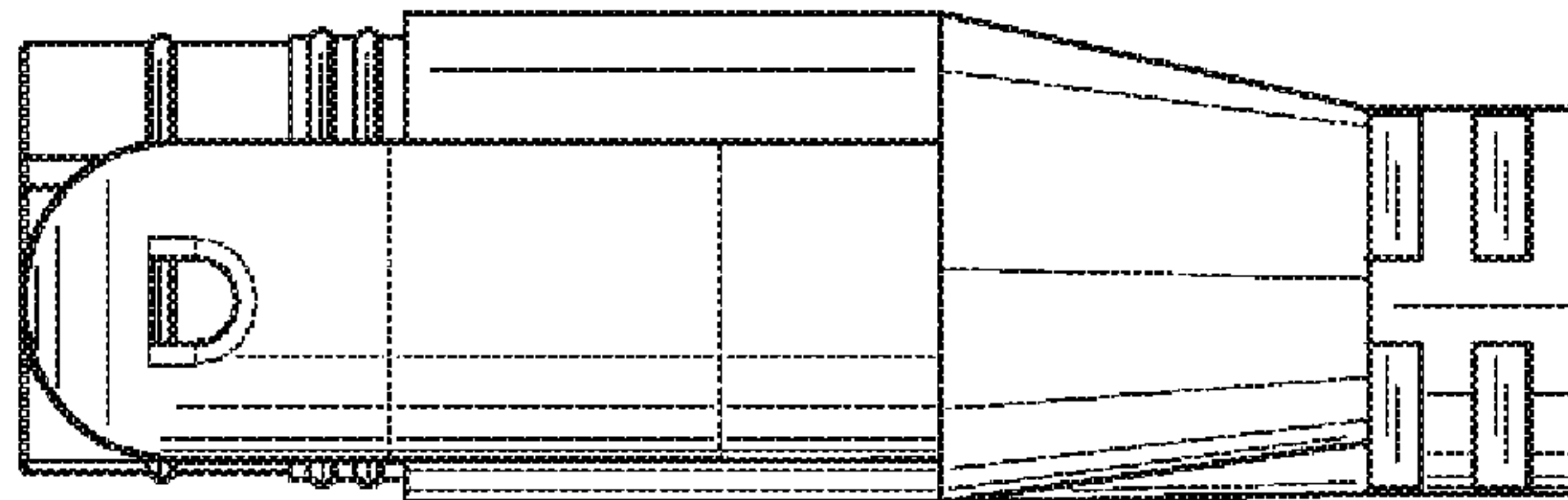


FIG. 2

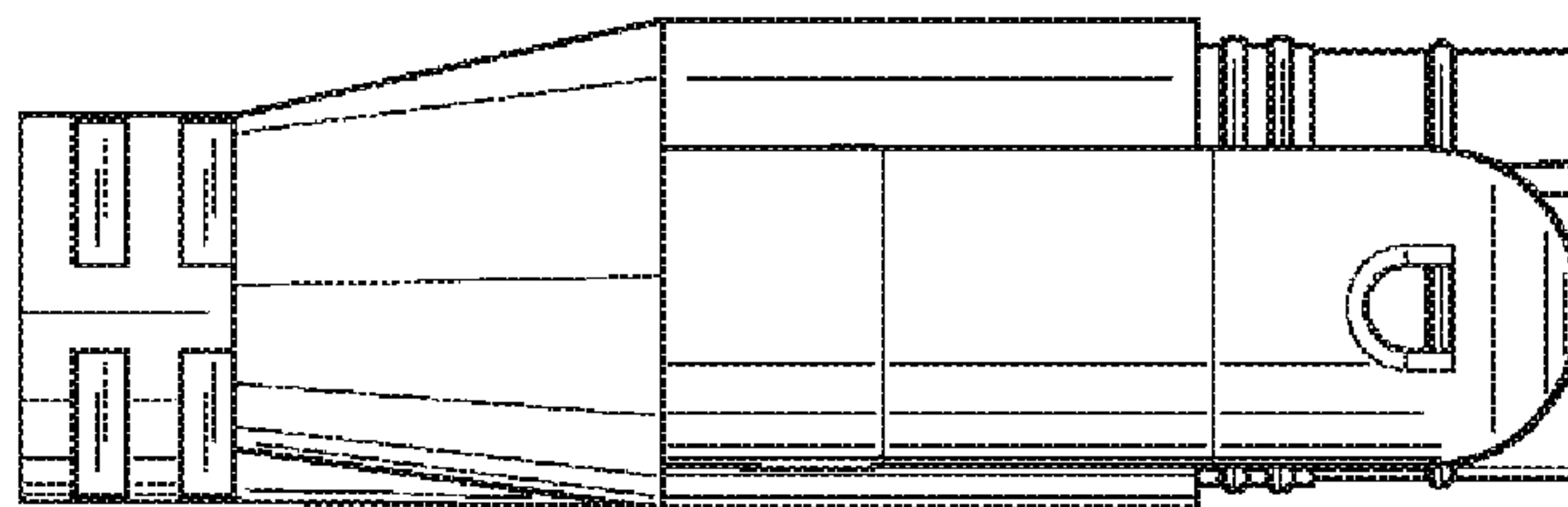


FIG. 3

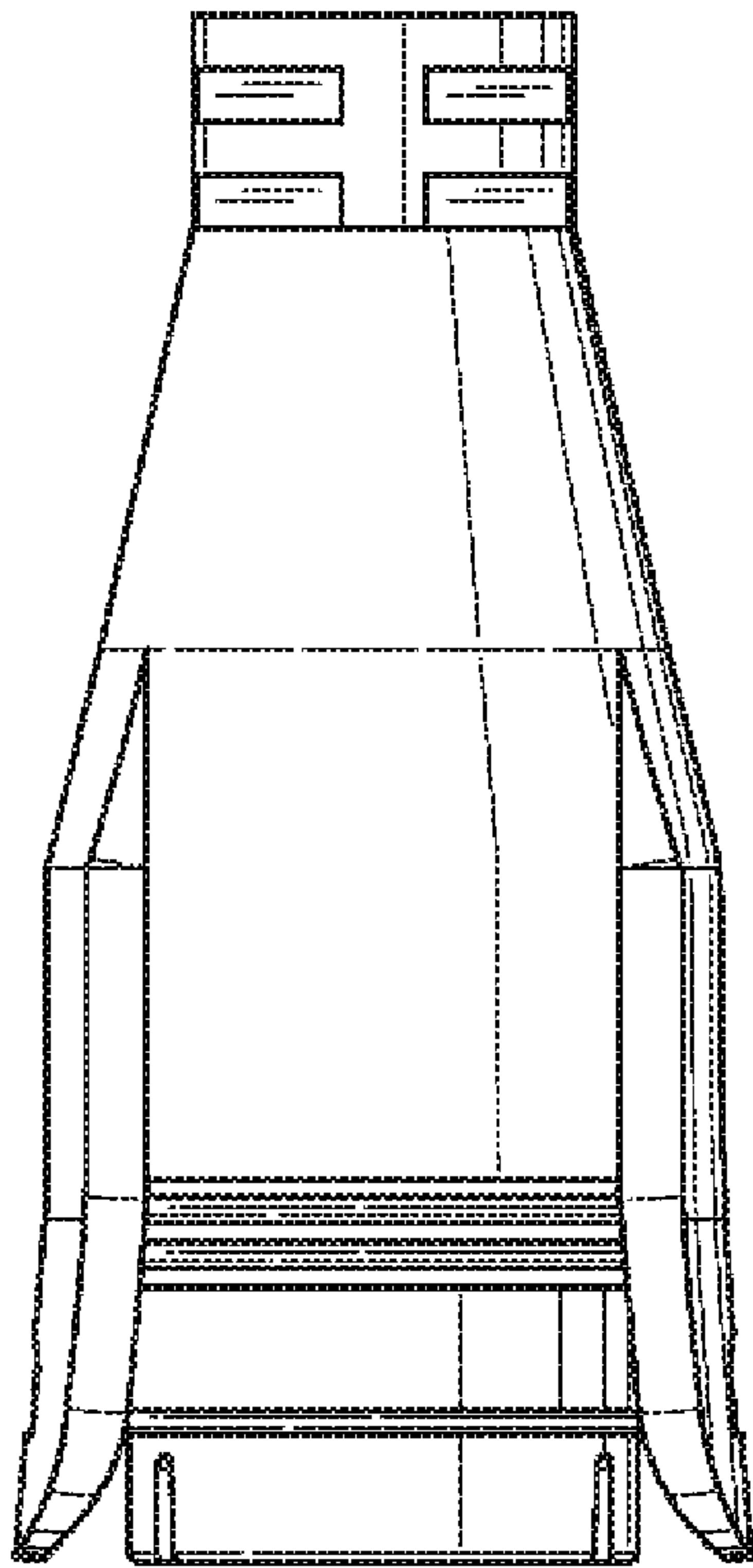


FIG. 4

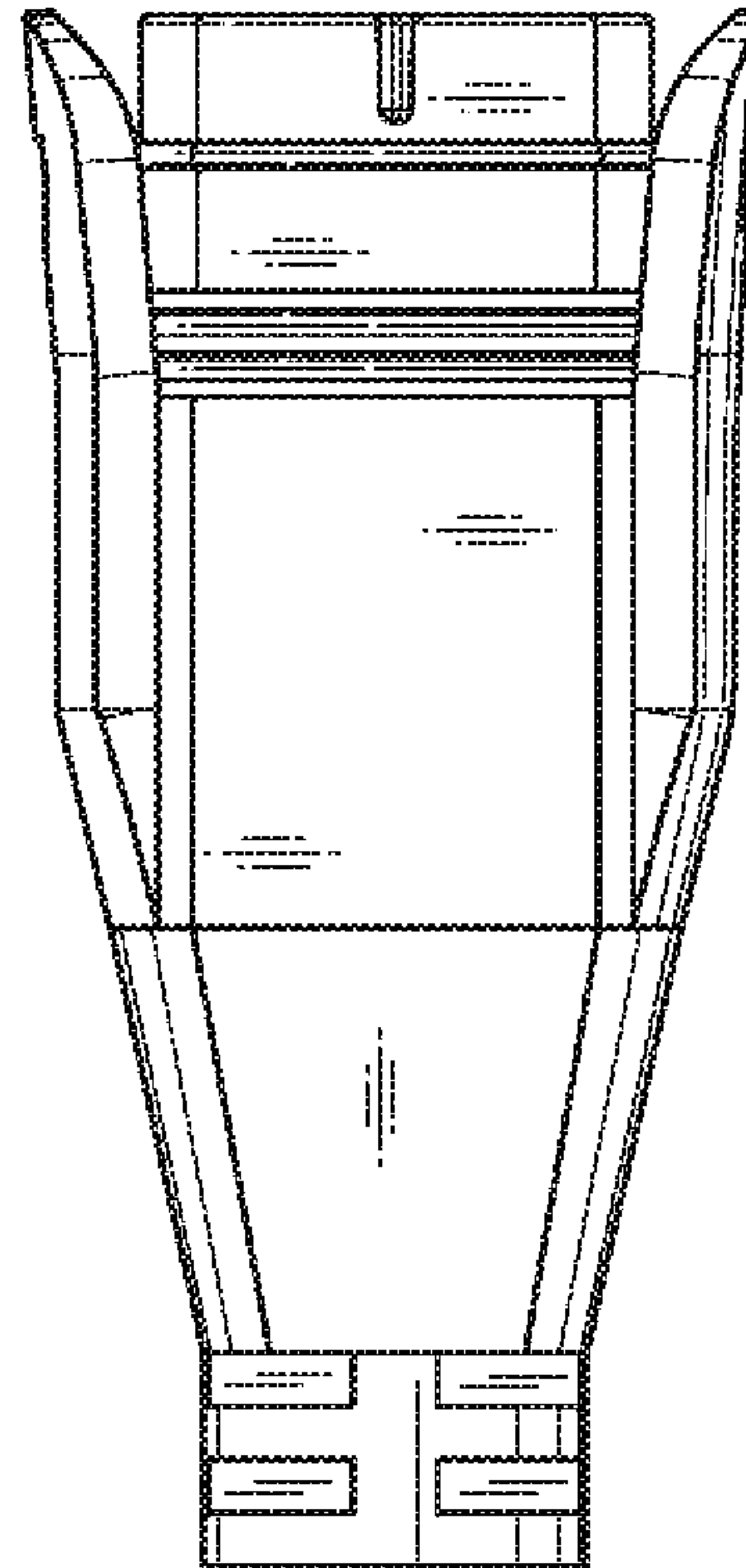


FIG. 5

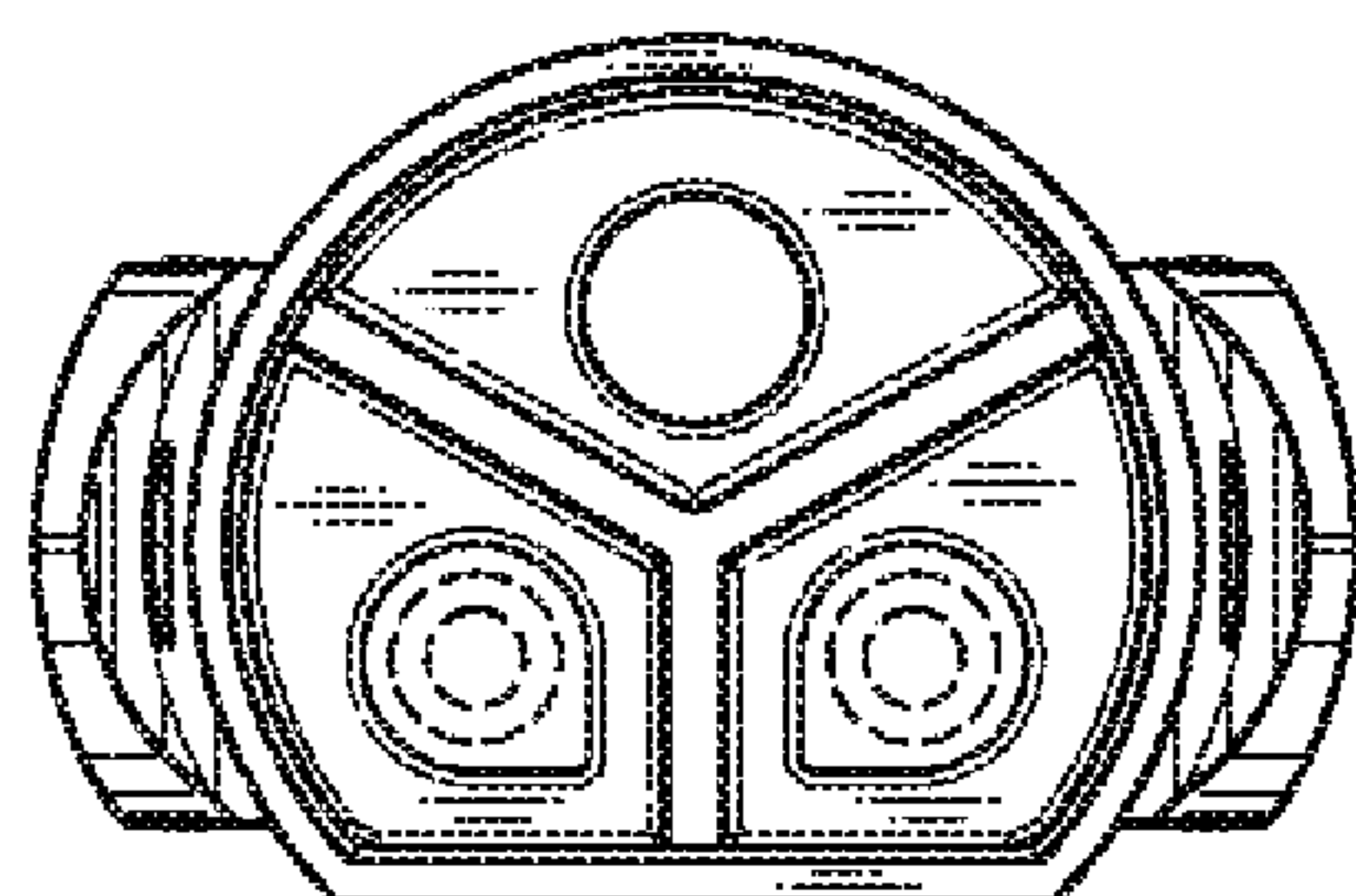


FIG. 6

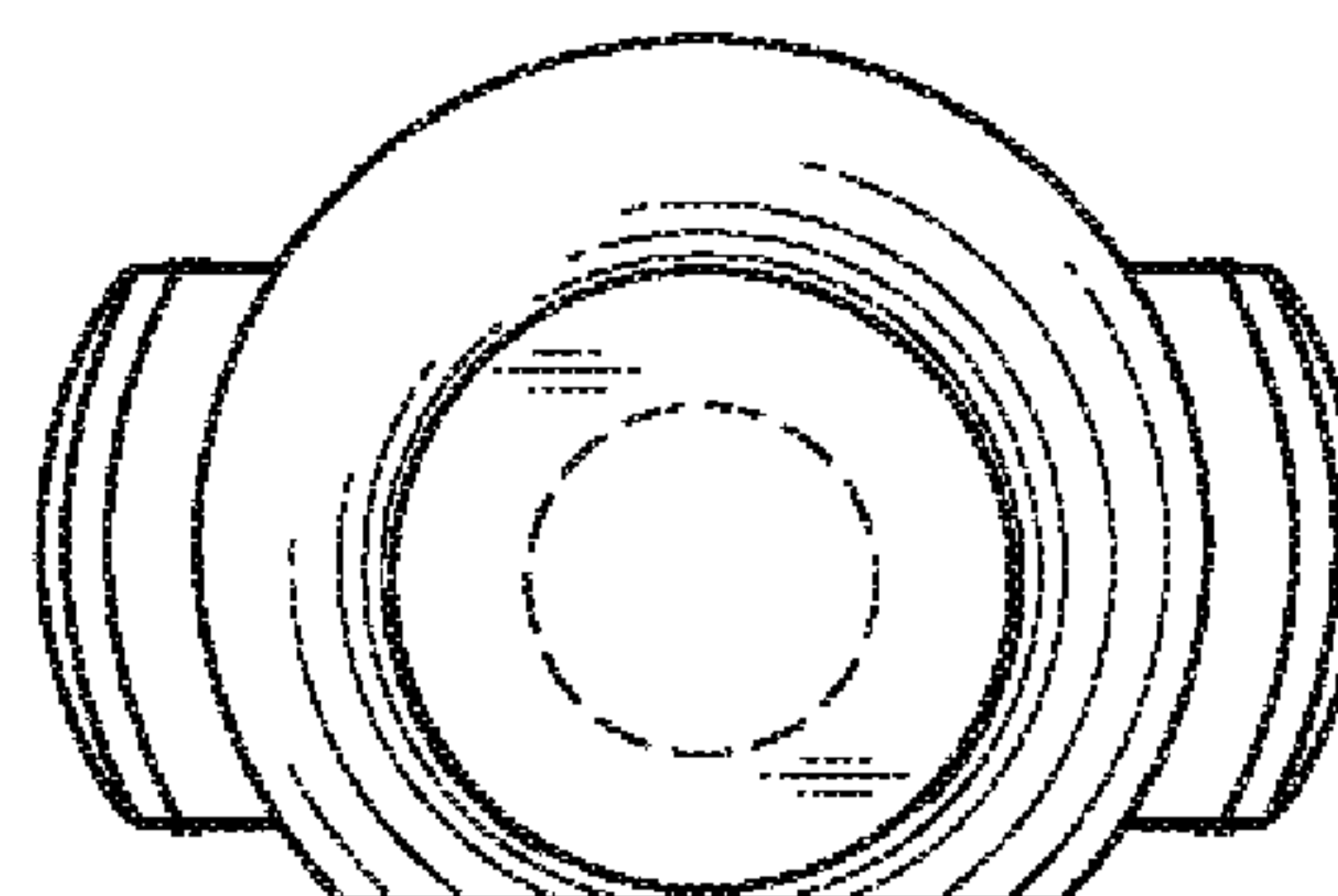


FIG. 7