



US00D770980S

(12) **United States Design Patent**
Hou

(10) **Patent No.:** **US D770,980 S**

(45) **Date of Patent:** **** Nov. 8, 2016**

(54) **CAR CHARGER**

(71) Applicant: **NO NDA INC.**, Palo Alto, CA (US)

(72) Inventor: **Peikai Hou**, Fremont, CA (US)

(**) Term: **15 Years**

(21) Appl. No.: **29/531,001**

(22) Filed: **Jun. 22, 2015**

(51) **LOC (10) Cl.** **13-03**

(52) **U.S. Cl.**
USPC **D13/144**

(58) **Field of Classification Search**
USPC D13/144, 107, 110, 118, 119, 120, 133,
D13/154, 184, 199; D14/155, 217, 433;
320/65, 107, 108, 109; 363/13, 146;
439/300, 620, 638, 668, 669, 675, 825
CPC H01R 24/58; H01R 2201/26
See application file for complete search history.

(56) **References Cited**

U.S. PATENT DOCUMENTS

D209,284 S *	11/1967	Busch	D13/144
D330,887 S *	11/1992	Wharton	D13/144
D348,250 S *	6/1994	Shababy	D13/144
D429,689 S *	8/2000	Barragan, Jr.	D13/144
D457,134 S *	5/2002	Lam	D13/110
D482,654 S *	11/2003	Shor	D13/110
D530,280 S *	10/2006	Krieger	D13/144
7,196,293 B2 *	3/2007	Britto	H01R 13/7038 219/387
D592,594 S *	5/2009	Stiff	D13/110
D608,284 S *	1/2010	Lin	D13/144
D639,236 S *	6/2011	Lu	D13/108
D643,366 S *	8/2011	Lu	D13/108

D644,990 S *	9/2011	Tseng	D13/108
D666,557 S *	9/2012	Cheng	D13/144
D687,378 S *	8/2013	Iacovelli	D13/110
D743,885 S *	11/2015	Nazar	D13/108
2002/0005708 A1 *	1/2002	Kobayashi	H01M 2/1077 320/107

* cited by examiner

Primary Examiner — Derrick Holland

Assistant Examiner — Jennifer O King

(74) *Attorney, Agent, or Firm* — Michael J. Sullivan

(57) **CLAIM**

The ornamental design for a car charger, as shown and described.

DESCRIPTION

FIG. 1 is a front, top, and right side perspective view of a car charger showing our new design;

FIG. 2 is a rear, bottom, and left side perspective view thereof;

FIG. 3 is a rear, top, and right side perspective view thereof;

FIG. 4 is a front, bottom, and left side perspective view thereof;

FIG. 5 is a front side elevational view thereof;

FIG. 6 is a rear side elevational view thereof;

FIG. 7 is a right side elevational view thereof;

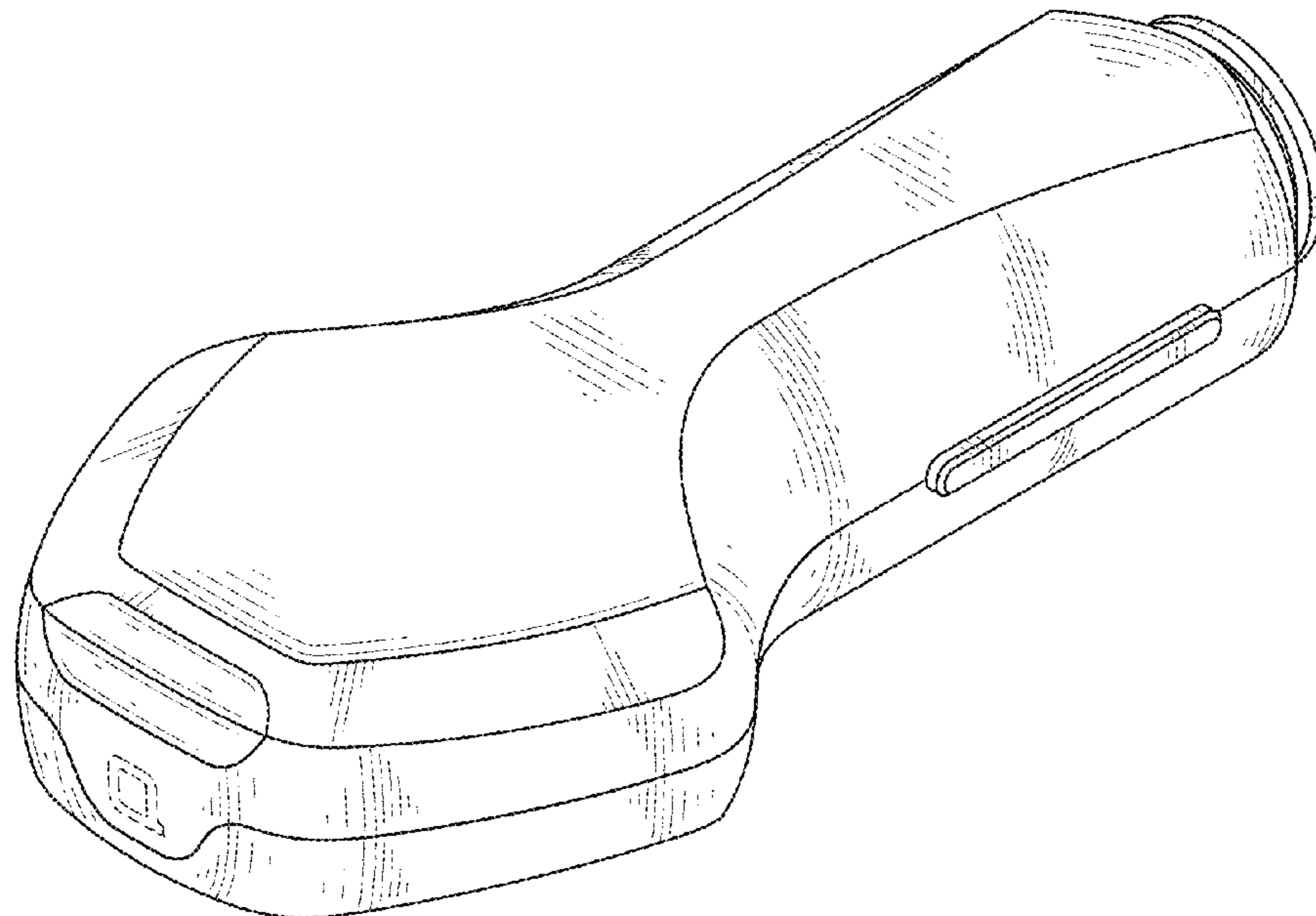
FIG. 8 is a left side elevational view thereof;

FIG. 9 is a top plan view thereof; and,

FIG. 10 is bottom plan view thereof.

The broken lines in the drawings showing portions of the car charger are included for the purpose of illustrating environmental structure and form no part of the claimed design.

1 Claim, 10 Drawing Sheets



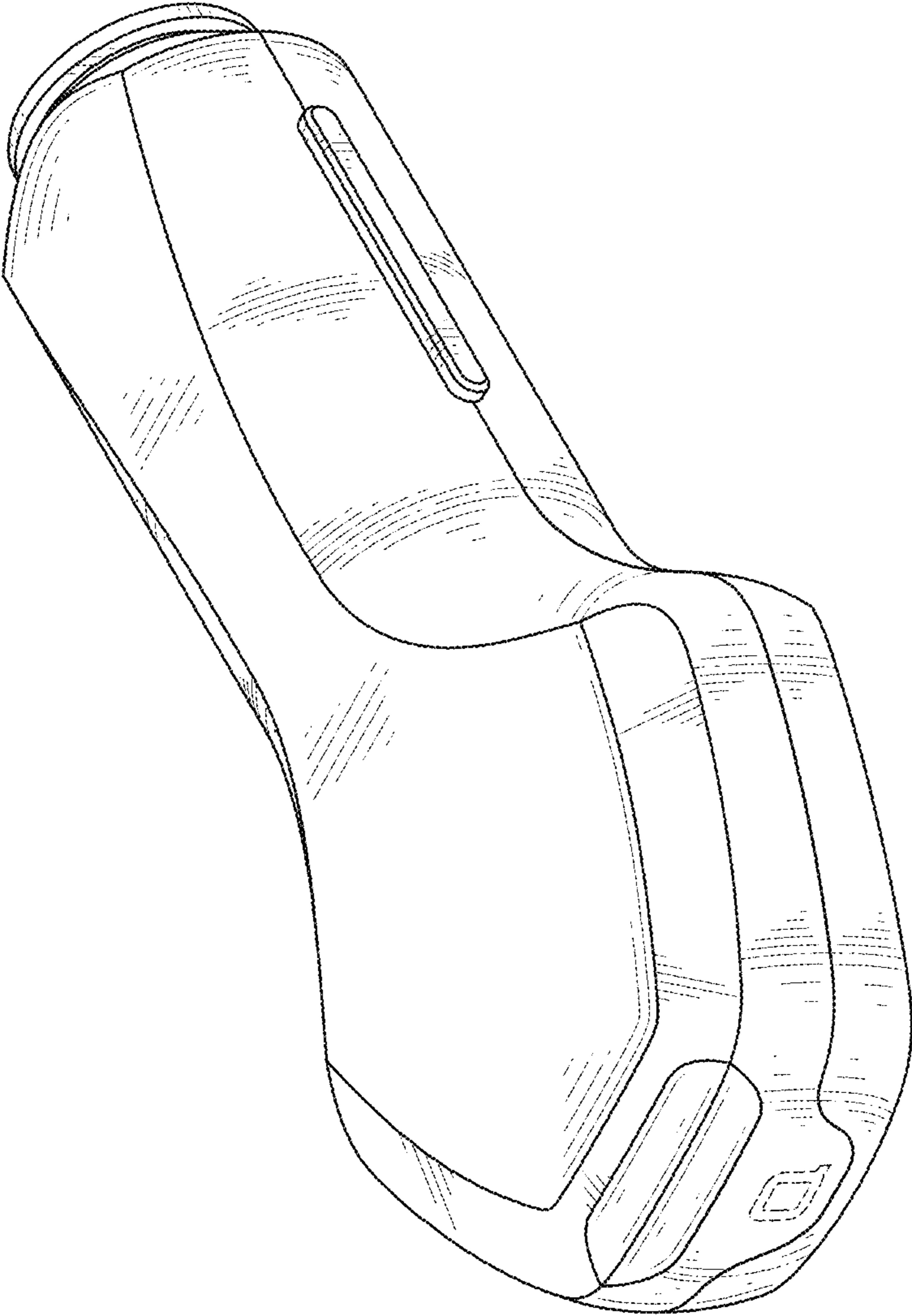


FIG. 1

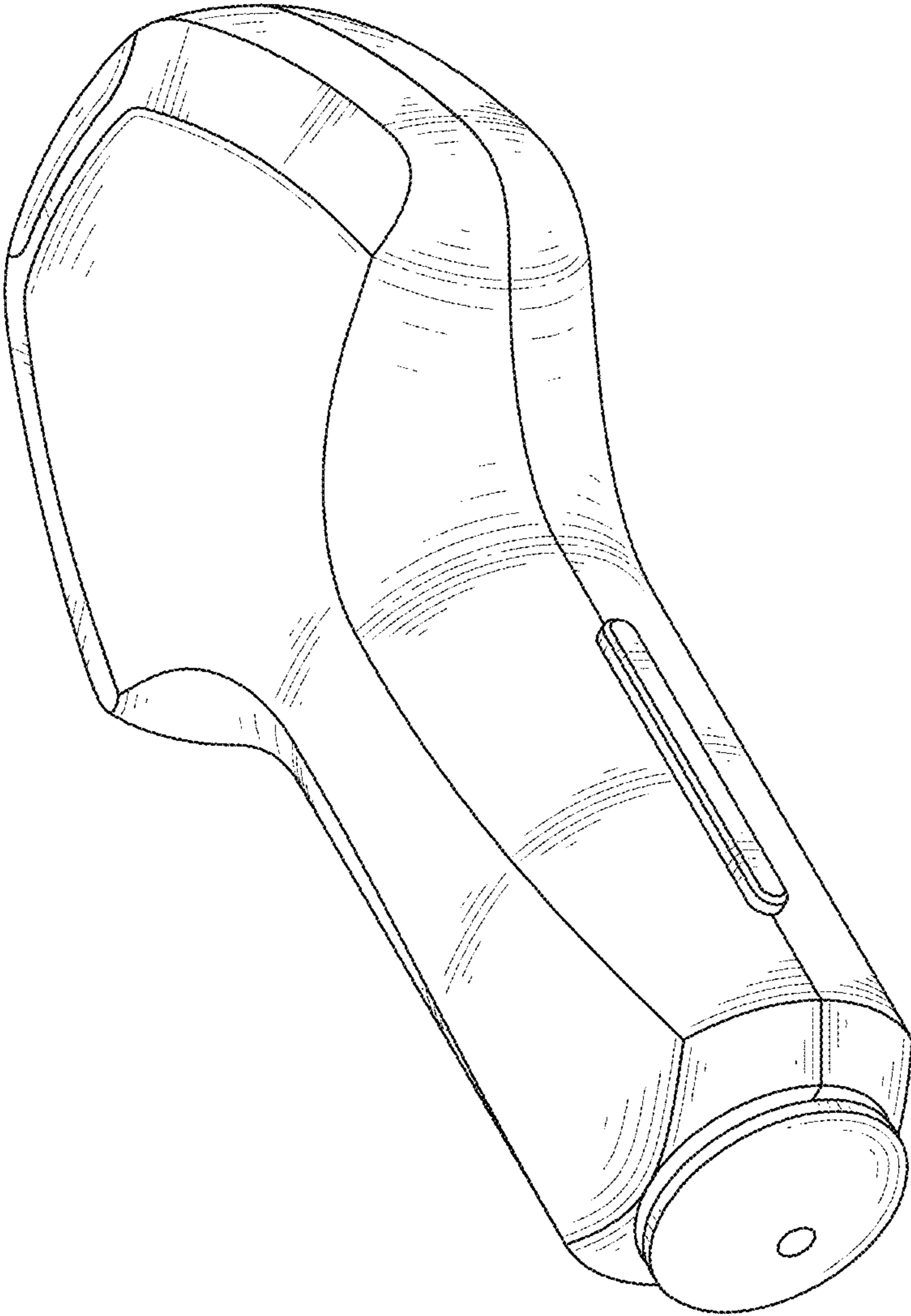


FIG. 2

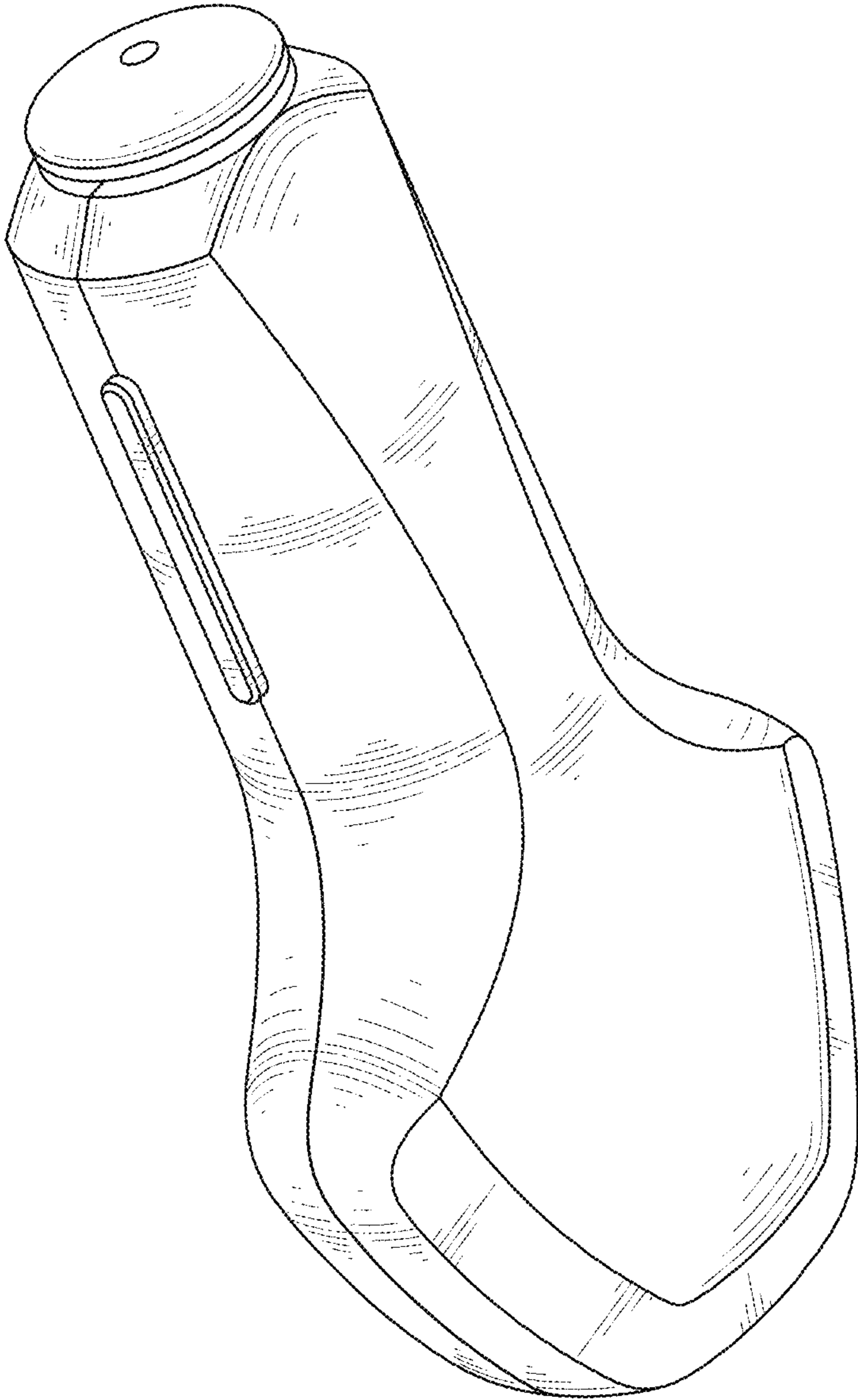


FIG. 3

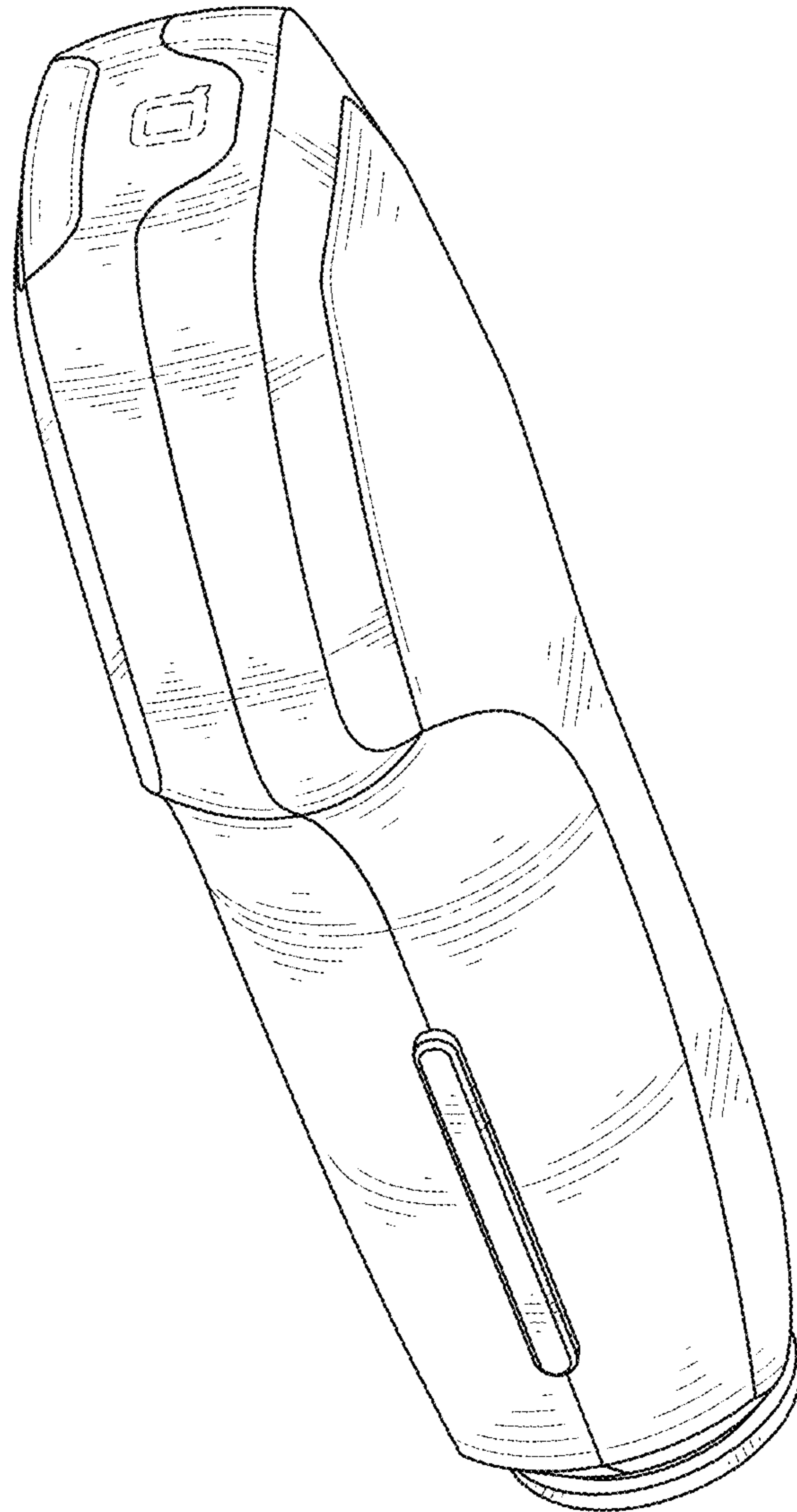


FIG. 4

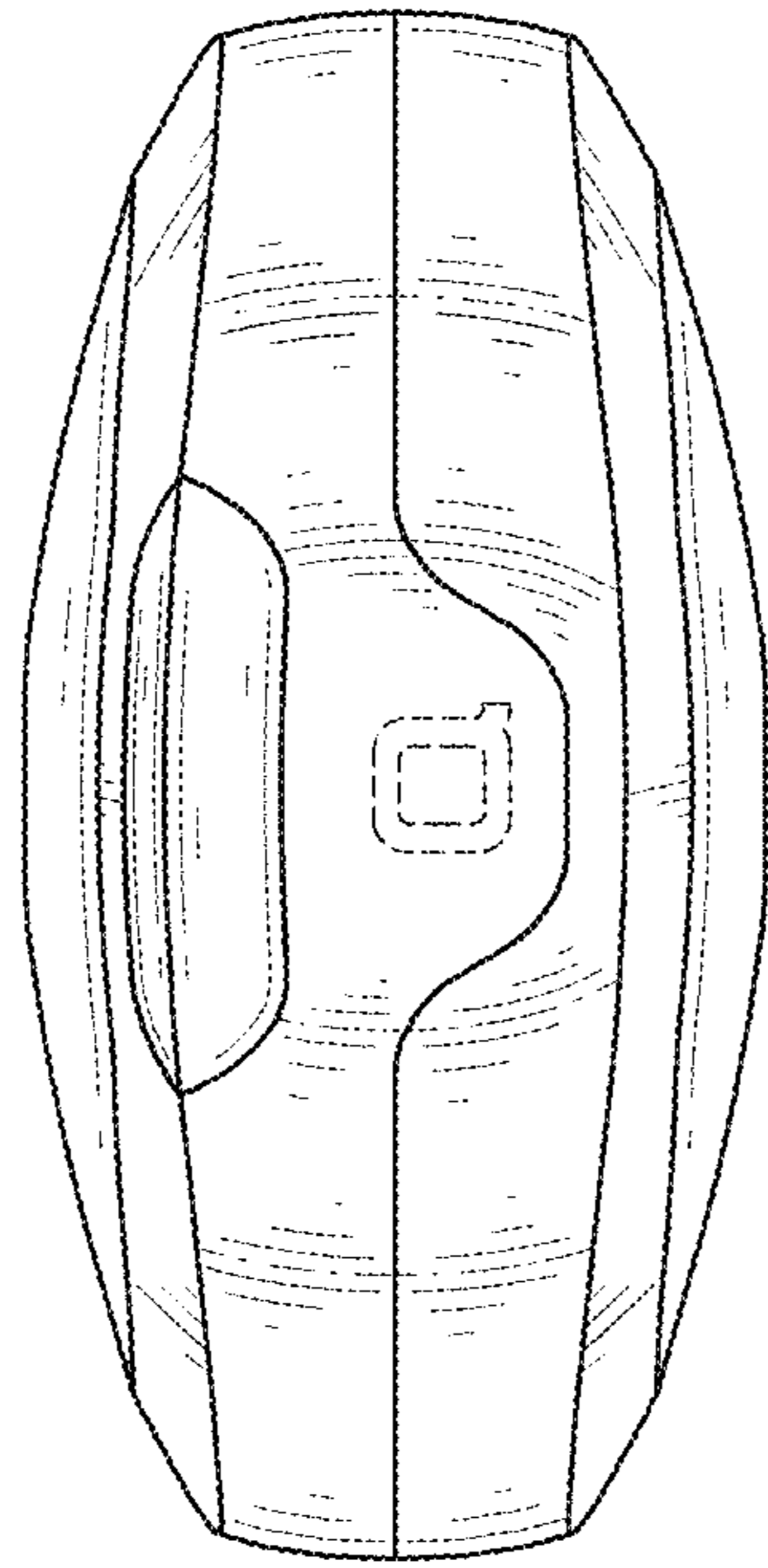


FIG. 5

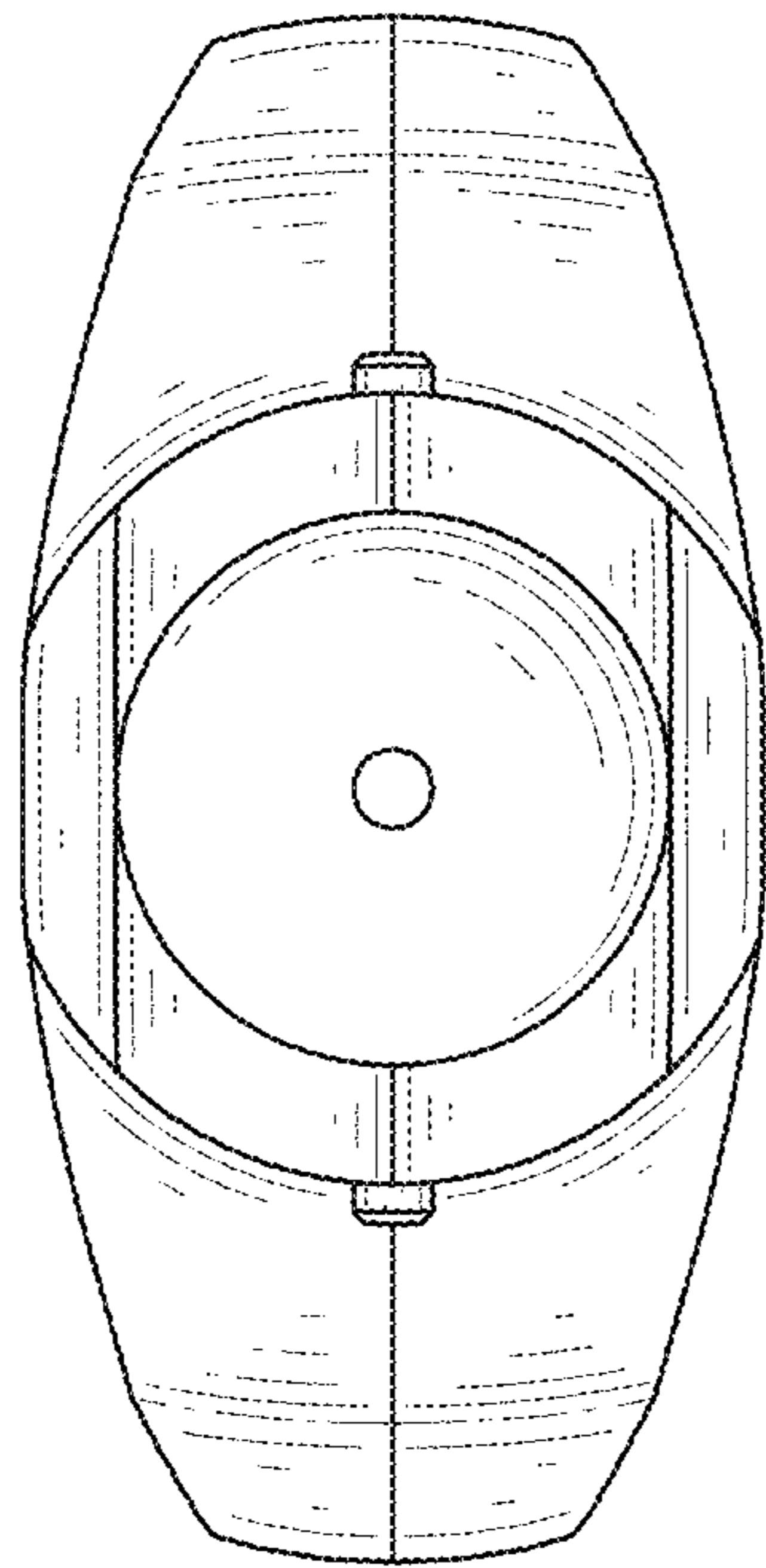


FIG. 6

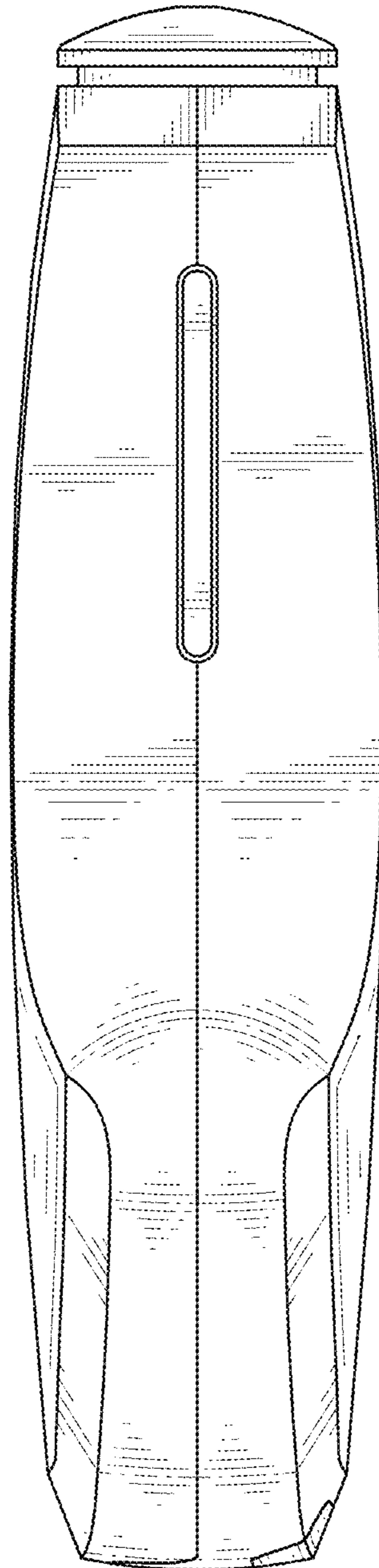


FIG. 7

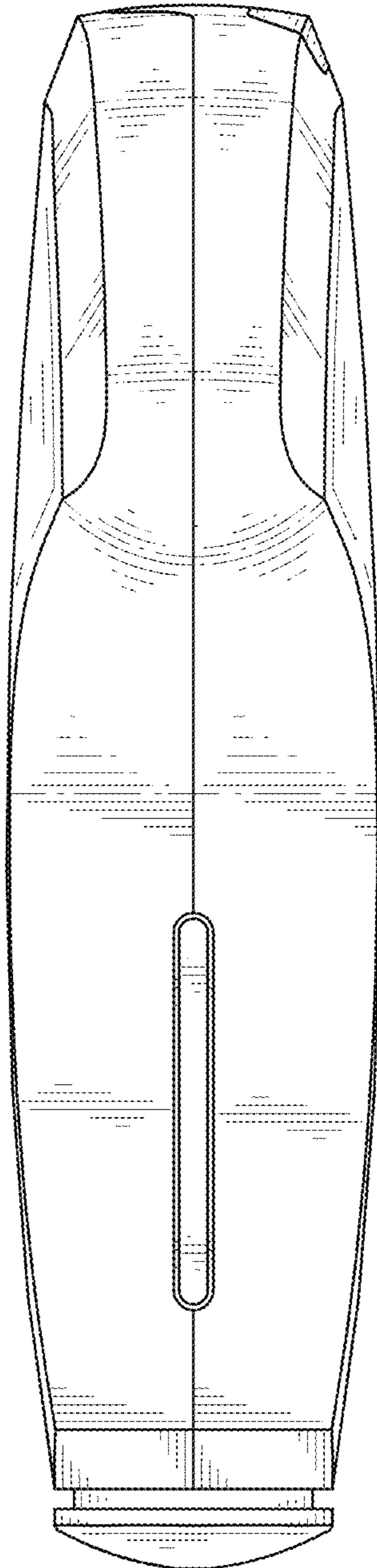


FIG. 8

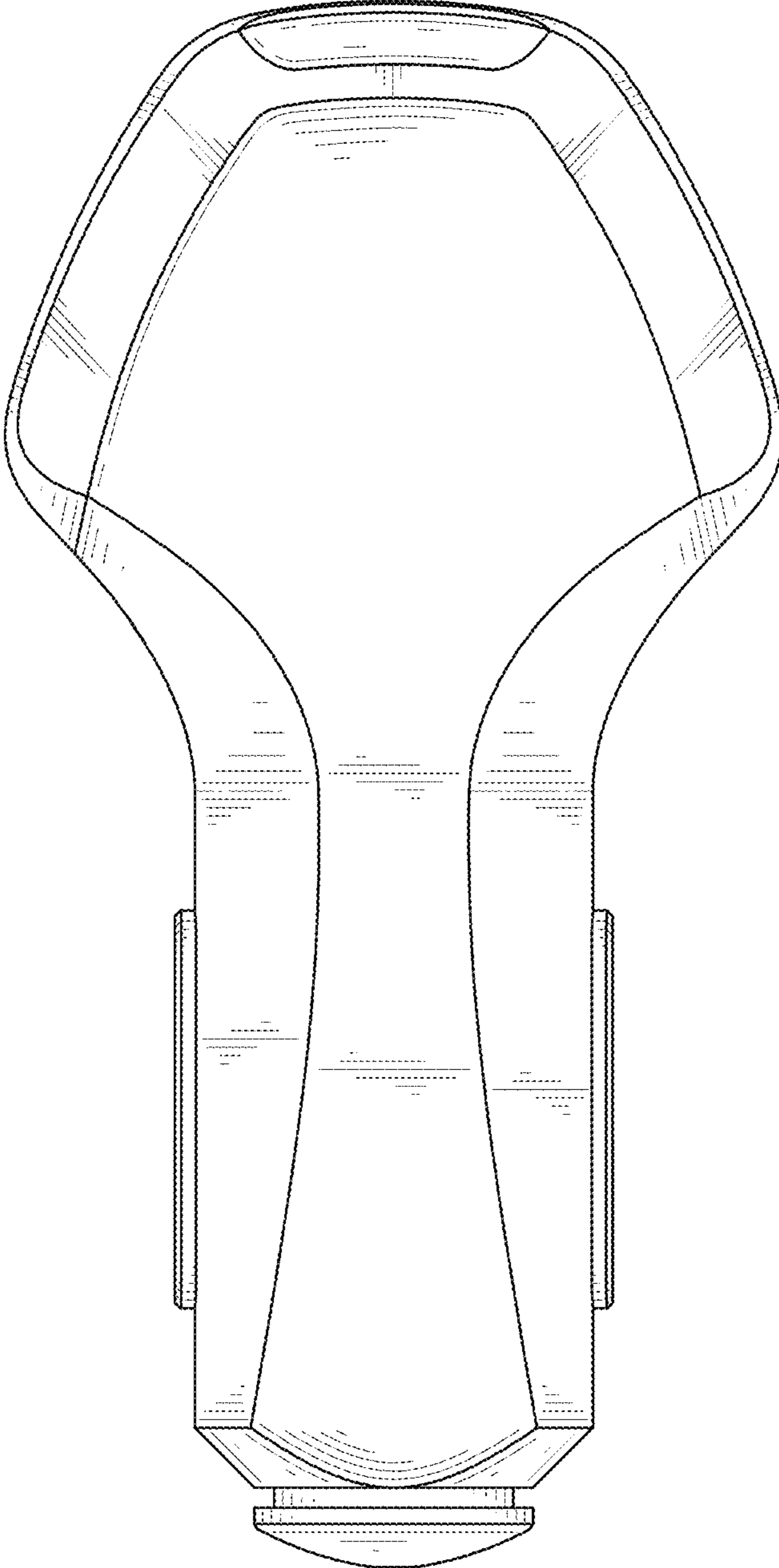


FIG. 9

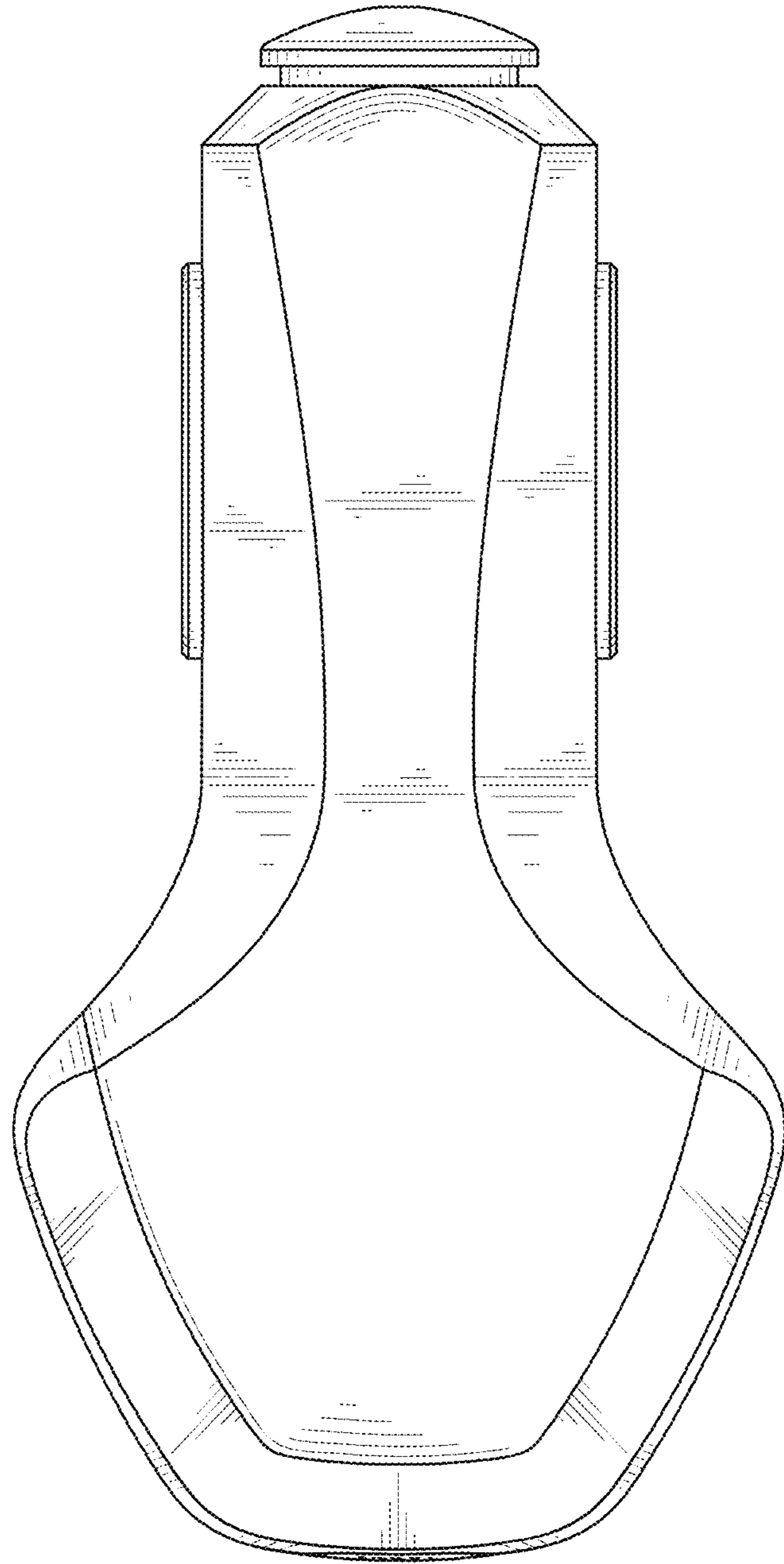


FIG. 10