



US00D770979S

(12) **United States Design Patent** (10) **Patent No.:** **US D770,979 S**  
**Willette** (45) **Date of Patent:** **\*\* Nov. 8, 2016**

(54) **MALE KEYED LAMP PLUG**  
(71) Applicant: **Christopher C. Willette**, Tequesta, FL (US)  
(72) Inventor: **Christopher C. Willette**, Tequesta, FL (US)  
(\*\*) Term: **14 Years**

(21) Appl. No.: **29/500,237**  
(22) Filed: **Aug. 22, 2014**  
(51) **LOC (10) Cl.** ..... **13-03**  
(52) **U.S. Cl.**  
USPC ..... **D13/134**  
(58) **Field of Classification Search**  
USPC ..... D13/101, 103, 110, 118, 123, 133-136, D13/146, 147, 149, 151-156, 173, 182, 184, D13/199; D26/1-3, 27, 113, 142  
CPC ..... A61L 9/20; B01J 19/12; F21S 8/00; F21V 19/00; H01H 85/00; H01J 5/48; H01J 5/50; H01J 5/54; H01J 19/48; H01R 4/24; H01R 13/00; H01R 13/66; H01R 24/00; H01R 33/00; H01R 33/05; H01R 33/08  
See application file for complete search history.

(56) **References Cited**  
U.S. PATENT DOCUMENTS  
2,925,511 A 2/1960 Skellett  
D289,206 S \* 4/1987 Scoville, Jr. .... D26/113  
D296,325 S 6/1988 Hugin  
D316,611 S \* 4/1991 Spina ..... D26/113  
D452,214 S 12/2001 Vieno et al.  
D459,301 S 6/2002 Fang Wong  
D487,252 S \* 3/2004 Schweitzer ..... D13/134  
D518,778 S \* 4/2006 Wardenburg ..... D13/134  
D527,346 S 8/2006 Brodin  
D537,414 S 2/2007 Saito  
D542,735 S 5/2007 Keilholz et al.  
D546,762 S 7/2007 Kovacs  
D547,724 S \* 7/2007 Ciancanelli ..... D13/134

D558,673 S \* 1/2008 Easley ..... D13/133  
D577,337 S 9/2008 Zayas  
D583,761 S \* 12/2008 Schenck ..... D13/134  
D585,837 S 2/2009 Kuehne et al.  
D593,706 S \* 6/2009 Zayas ..... D26/142  
D616,822 S 6/2010 Zayas  
D625,438 S 10/2010 Lai et al.  
D632,833 S \* 2/2011 Lee ..... D26/123  
D638,572 S \* 5/2011 Lee ..... D26/113

(Continued)

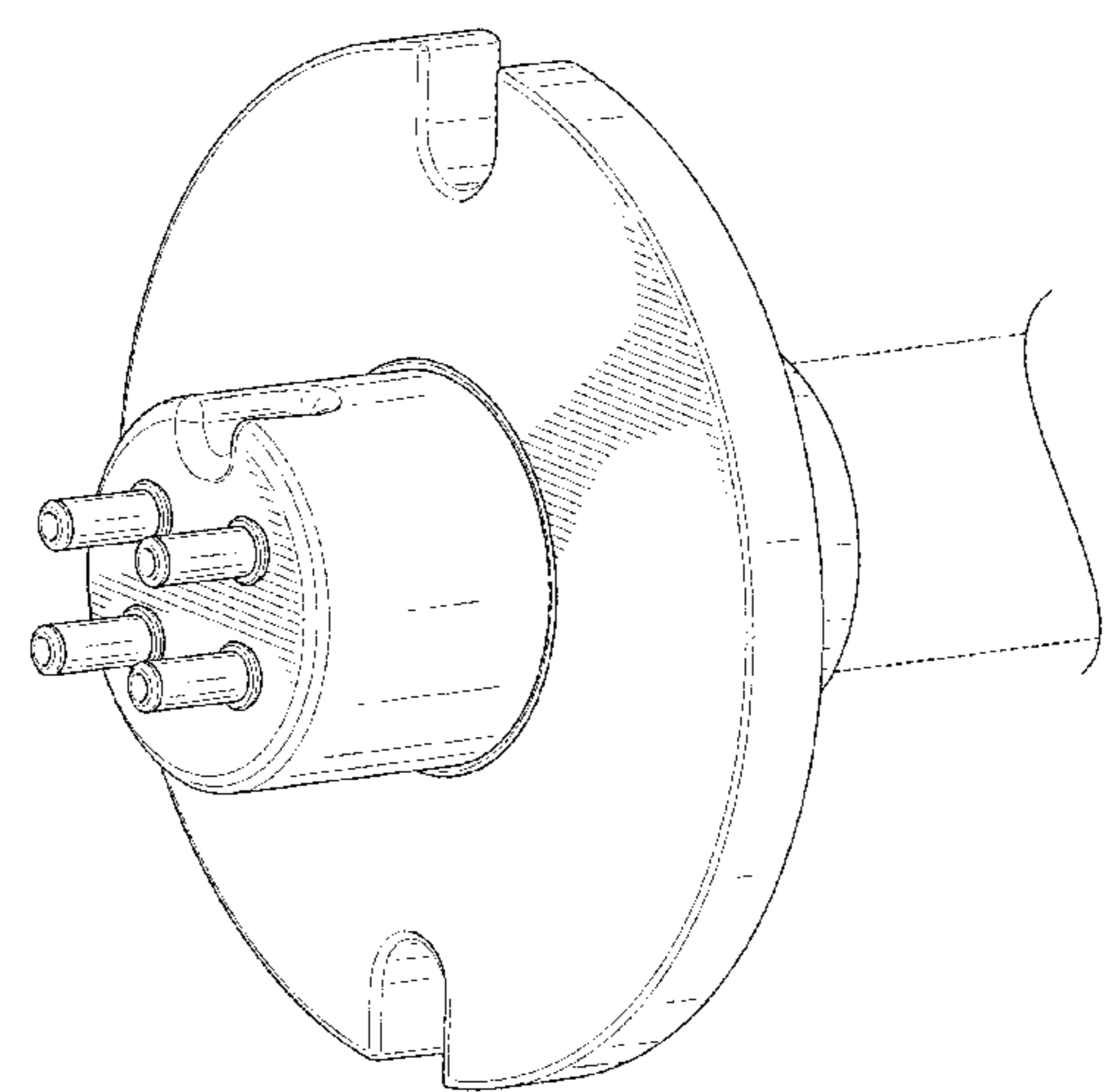
*Primary Examiner* — Thomas Johannes  
*Assistant Examiner* — Shawn T Gingrich  
(74) *Attorney, Agent, or Firm* — Akerman LLP; Michael K. Dixon

(57) **CLAIM**  
The ornamental design for a male keyed lamp plug, as shown and described.

**DESCRIPTION**

FIG. 1 is a perspective view of a male keyed lamp plug according to the invention.  
FIG. 2 is a top view of the male keyed lamp plug of FIG. 1.  
FIG. 3 is a front view of the male keyed lamp plug of FIG. 1.  
FIG. 4 is a bottom view of the male keyed lamp plug of FIG. 1.  
FIG. 5 is a left side view of the male keyed lamp plug of FIG. 1. The right side view is identical to the left side view; and,  
FIG. 6 is a rear view of the male keyed lamp plug of FIG. 1.  
The broken line portion of the figure drawings is included to show unclaimed subject matter only and forms no part of the claimed design. The undulating break lines shown at the rear of the article indicate a symbolic break in its length, the appearance of any portion of the article beyond the break line forms no part of the claimed design.  
This design is directed to a male keyed lamp plug for electrical devices.

**1 Claim, 6 Drawing Sheets**



# US D770,979 S

Page 2

---

(56)

## References Cited

### U.S. PATENT DOCUMENTS

D647,226 S	10/2011	Huang et al.		D751,506 S	3/2016	Liu	
D679,413 S *	4/2013	Bucher .....	D24/224	2004/0150998 A1	8/2004	Fan	
D694,189 S	11/2013	Ledinger et al.		2005/0052867 A1*	3/2005	Wardenburg .....	F21S 8/04 362/269
D700,577 S	3/2014	Ding et al.		2008/0076281 A1	3/2008	Ciancanelli et al.	
D709,643 S	7/2014	Kohler et al.		2008/0188131 A1	8/2008	Zayas	
9,062,870 B2*	6/2015	Hoang .....	F21V 23/06	2009/0156037 A1	6/2009	Zayas et al.	
				2013/0340460 A1	12/2013	Andros et al.	

\* cited by examiner

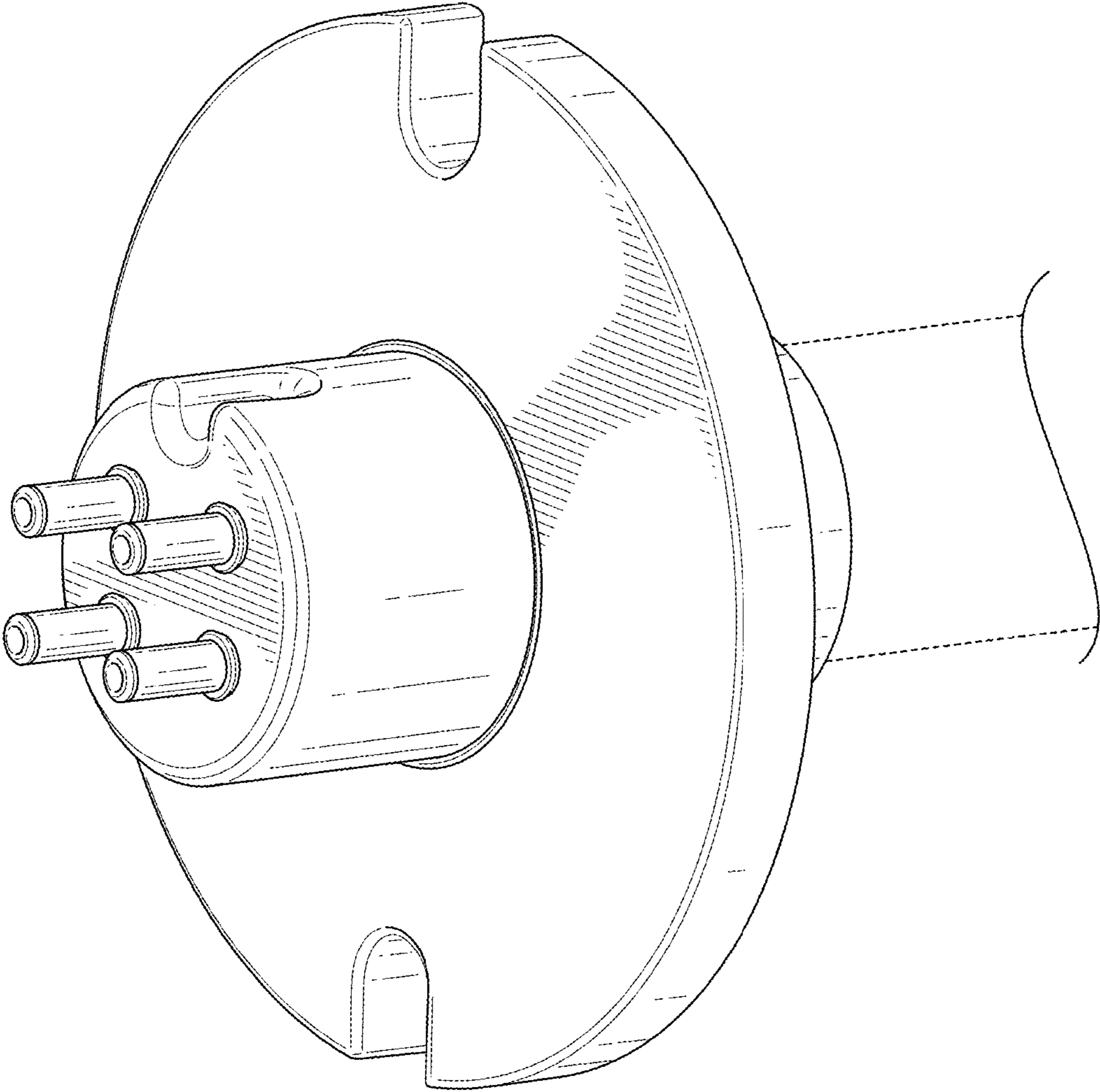


FIG. 1

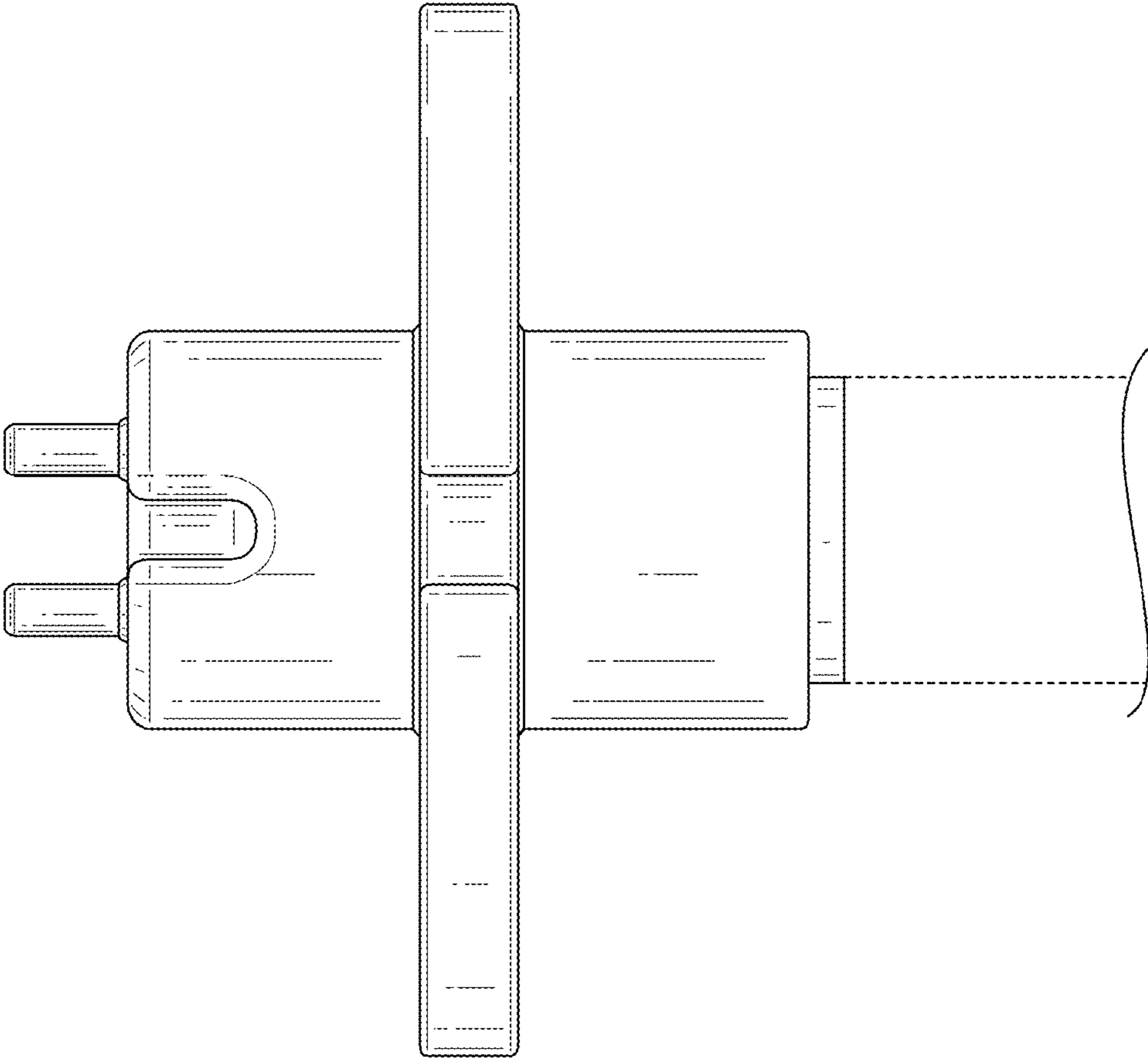
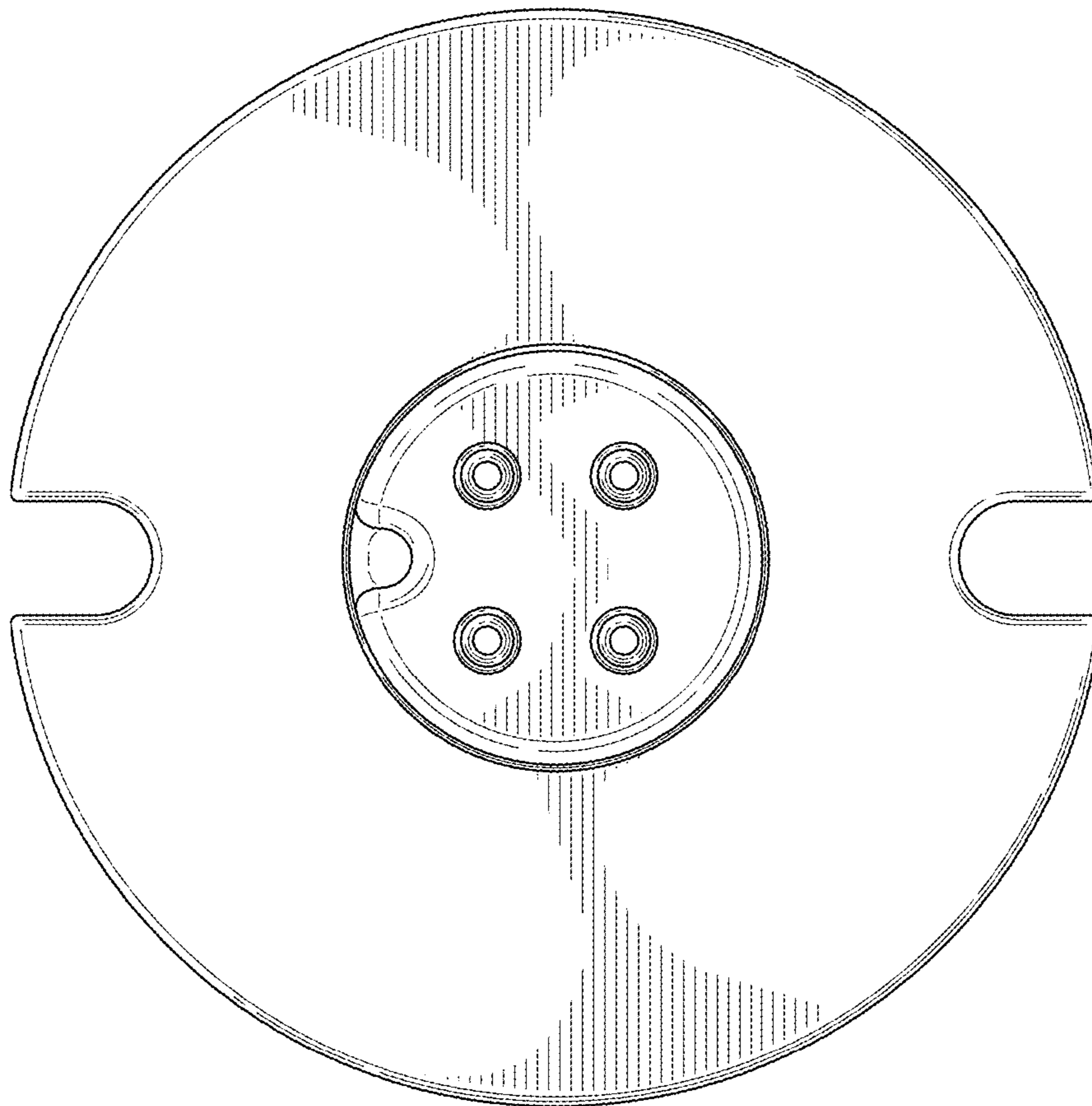


FIG. 2



**FIG. 3**

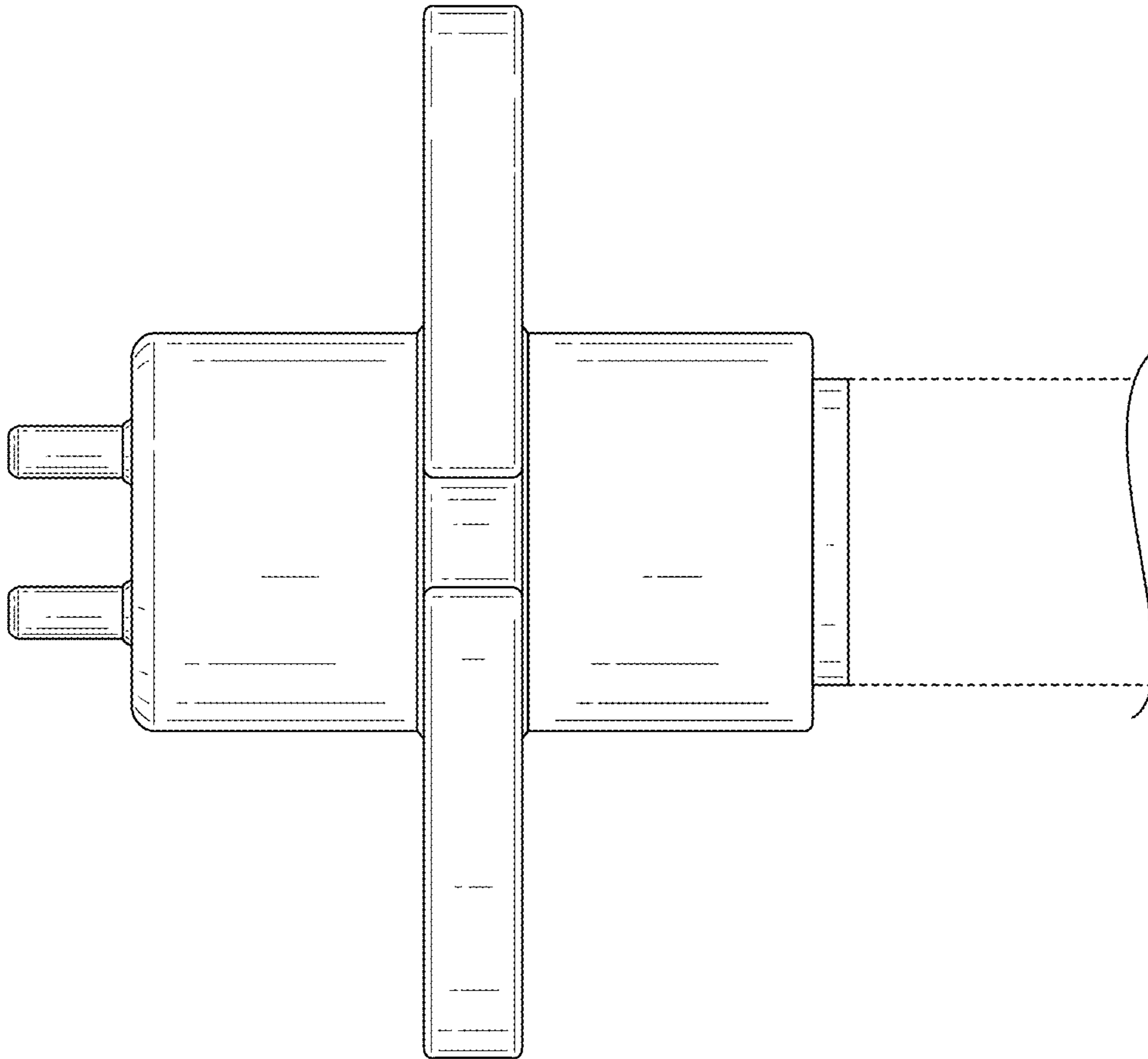


FIG. 4

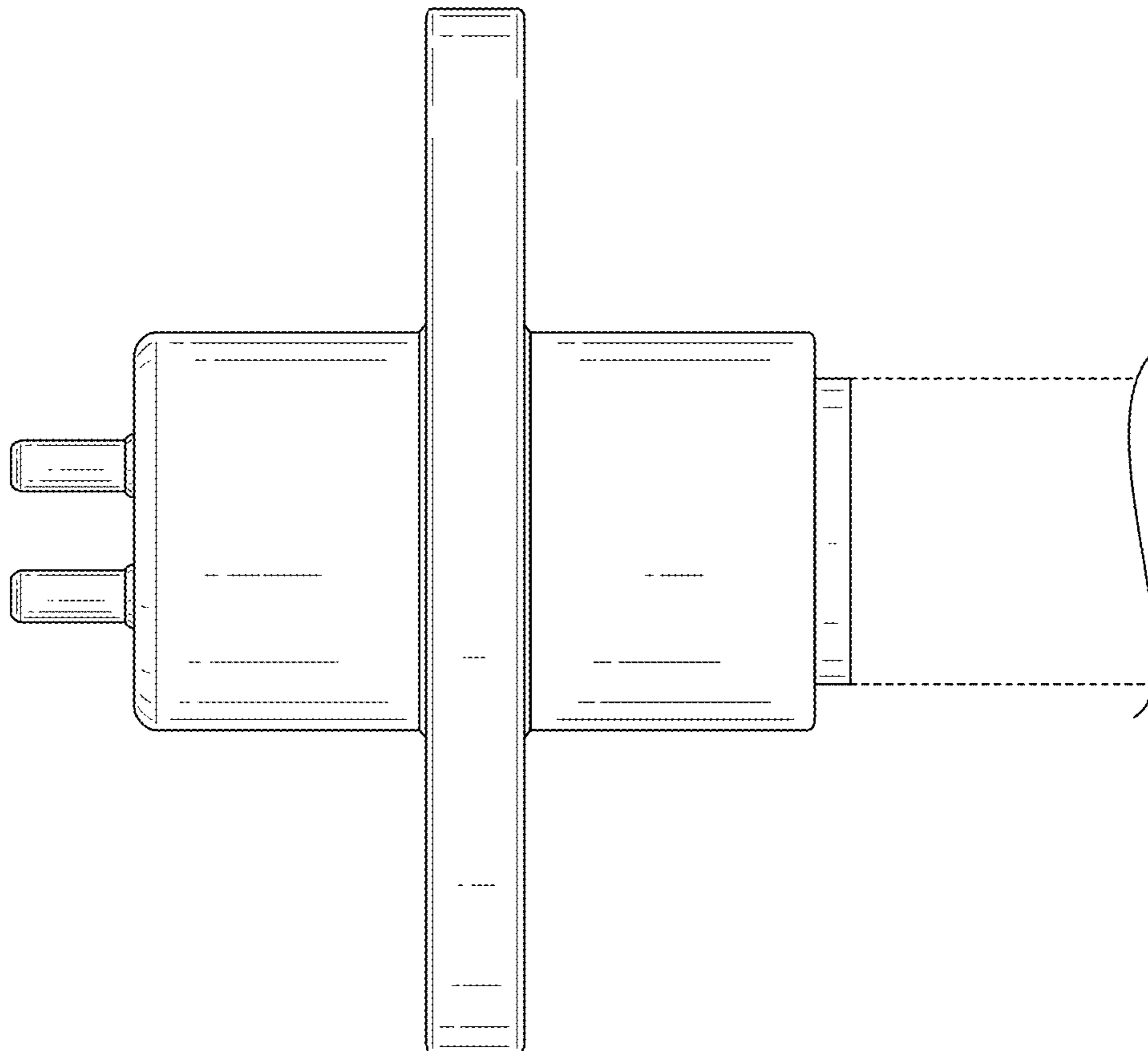
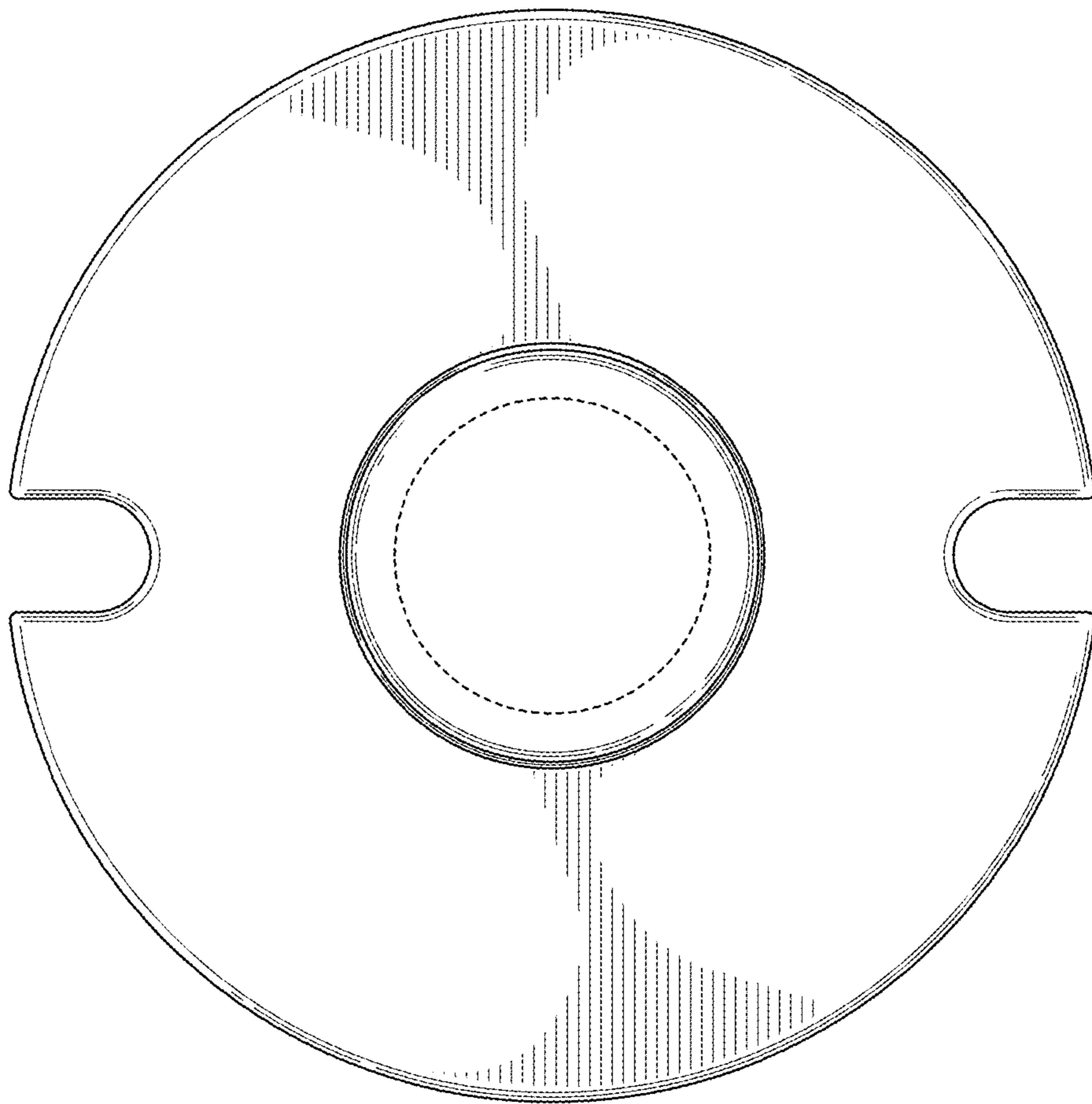


FIG. 5



**FIG. 6**