



US00D770978S

(12) **United States Design Patent** (10) **Patent No.:** **US D770,978 S**
Reese et al. (45) **Date of Patent:** **** Nov. 8, 2016**

(54) **CONNECTOR**

(71) Applicant: **Multi-Holding AG**, Allschwil (CH)

(72) Inventors: **Joerg Reese**, Castrop-Rauxel (DE);
Joerg Doering, Herdecke (DE)

(73) Assignee: **Multi-Holding AG**, Allschwil (CH)

(**) Term: **15 Years**

(21) Appl. No.: **29/543,798**

(22) Filed: **Oct. 28, 2015**

(30) **Foreign Application Priority Data**

Apr. 29, 2015 (WO) 889775101

(51) **LOC (10) Cl.** **13-03**

(52) **U.S. Cl.**
USPC **D13/133**

(58) **Field of Classification Search**
USPC D13/118, 123, 133, 148–150, 153–156,
D13/173, 184, 199; D8/349, 354, 382, 385,
D8/394; D9/695–697; D21/711; D22/116;
D24/124, 125, 141
CPC A61F 3/20; A61F 13/26; F16L 47/03;
H01R 4/10; H01R 9/00; H01R 12/00; H01R
13/00; H01R 13/04; H01R 13/05; H01R
13/35; H01R 13/42; H05K 3/30
See application file for complete search history.

(56) **References Cited**

U.S. PATENT DOCUMENTS

1,376,735 A 5/1921 Stalhane
1,529,137 A * 3/1925 Phillips B60C 29/06
138/89.4
3,969,012 A 7/1976 Bauer
D284,267 S * 6/1986 Lindell D8/385
4,820,207 A * 4/1989 Zic H01R 13/05
439/825
5,885,115 A * 3/1999 Stillie H01R 9/091
439/752.5
D475,022 S * 5/2003 Kihira D13/133
D626,650 S * 11/2010 Edgett D24/141

2006/0228941 A1 10/2006 Abe et al.
2007/0218778 A1 * 9/2007 Lappoehn H01R 12/585
439/751
2008/0050946 A1 * 2/2008 Nunokawa H01R 12/585
439/82
2008/0233809 A1 * 9/2008 Su H01R 13/111
439/880
2013/0244506 A1 * 9/2013 Endo H01R 4/48
439/825
2013/0244512 A1 * 9/2013 Endo H01R 12/585
439/889
2014/0087607 A1 * 3/2014 Kojima H01R 13/04
439/891
2015/0148461 A1 * 5/2015 Wang A61F 13/26
524/43

FOREIGN PATENT DOCUMENTS

GB 2513453 A 10/2014
JP 2006-294475 A 10/2006

* cited by examiner

Primary Examiner — Thomas Johannes
Assistant Examiner — Shawn T Gingrich
(74) *Attorney, Agent, or Firm* — The Webb Law Firm

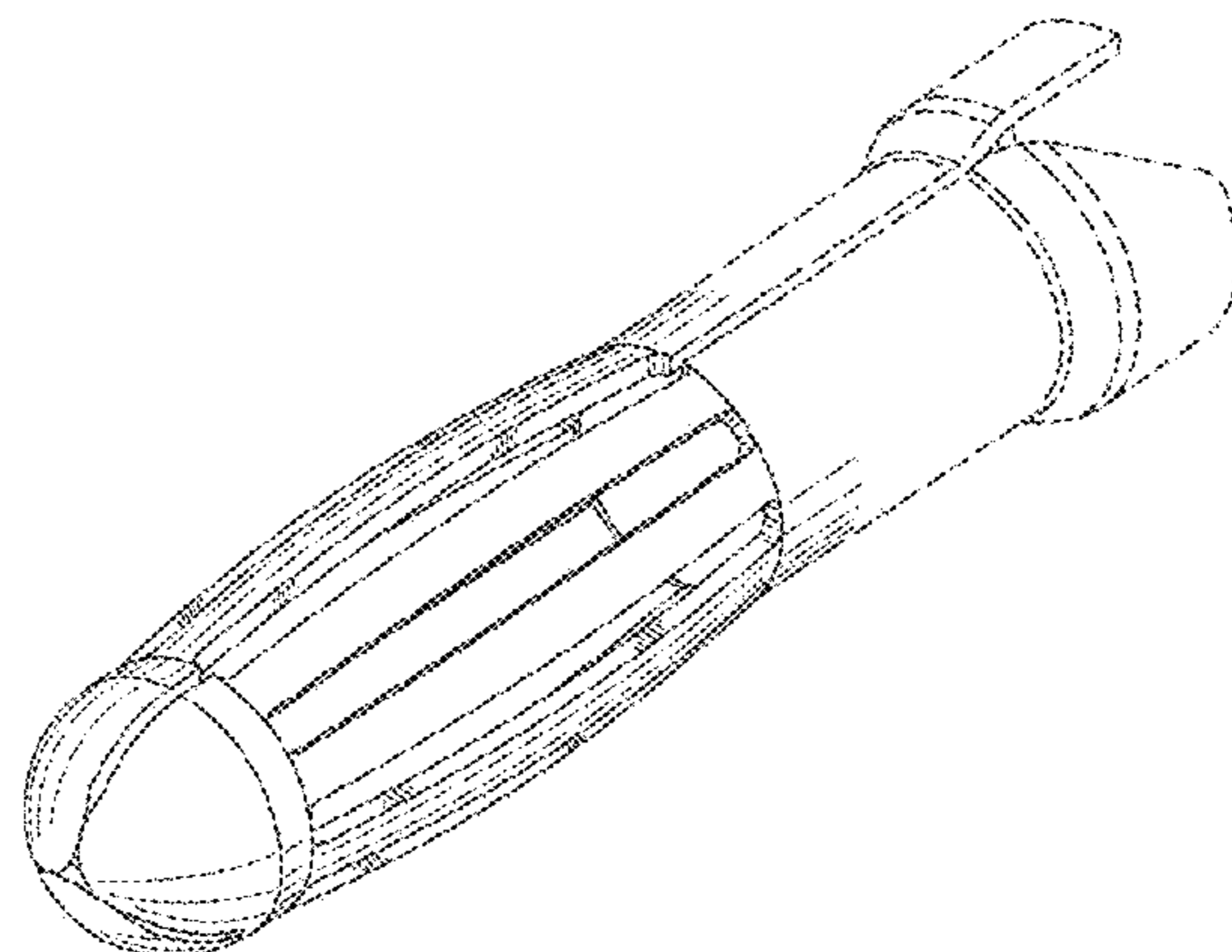
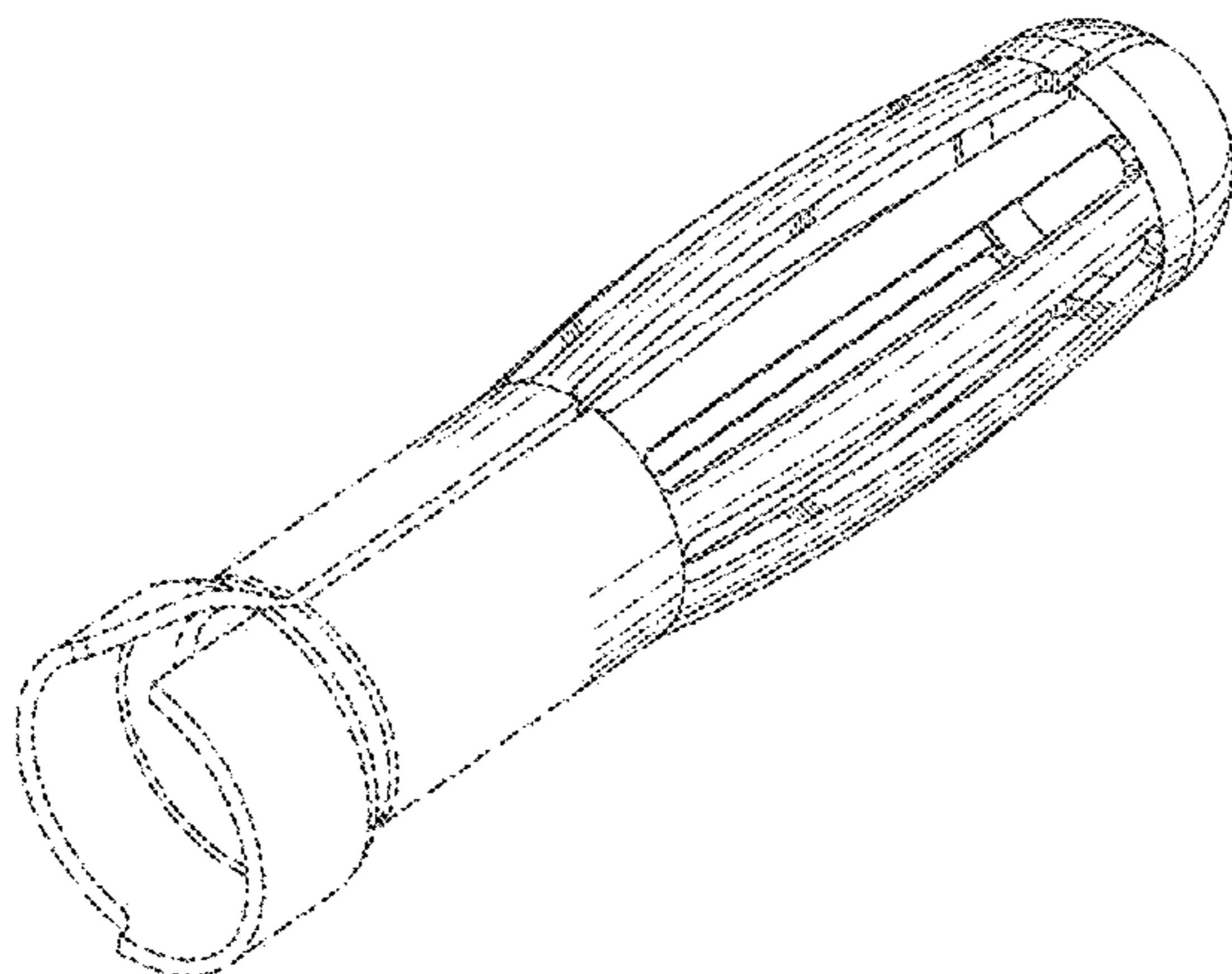
(57) **CLAIM**

The ornamental design for a connector, as shown and described.

DESCRIPTION

FIG. 1 is a rear perspective view of a connector showing our new design from one end;
FIG. 2 is a front perspective view thereof from the opposite end;
FIG. 3 is a bottom view thereof;
FIG. 4 is a top view thereof;
FIG. 5 is a left side view thereof;
FIG. 6 is a right side view thereof;
FIG. 7 is a rear view thereof; and,
FIG. 8 is a front view thereof.
The portions of the connector shown in broken lines form no part of the claimed design and are included for environmental purposes only.

1 Claim, 8 Drawing Sheets



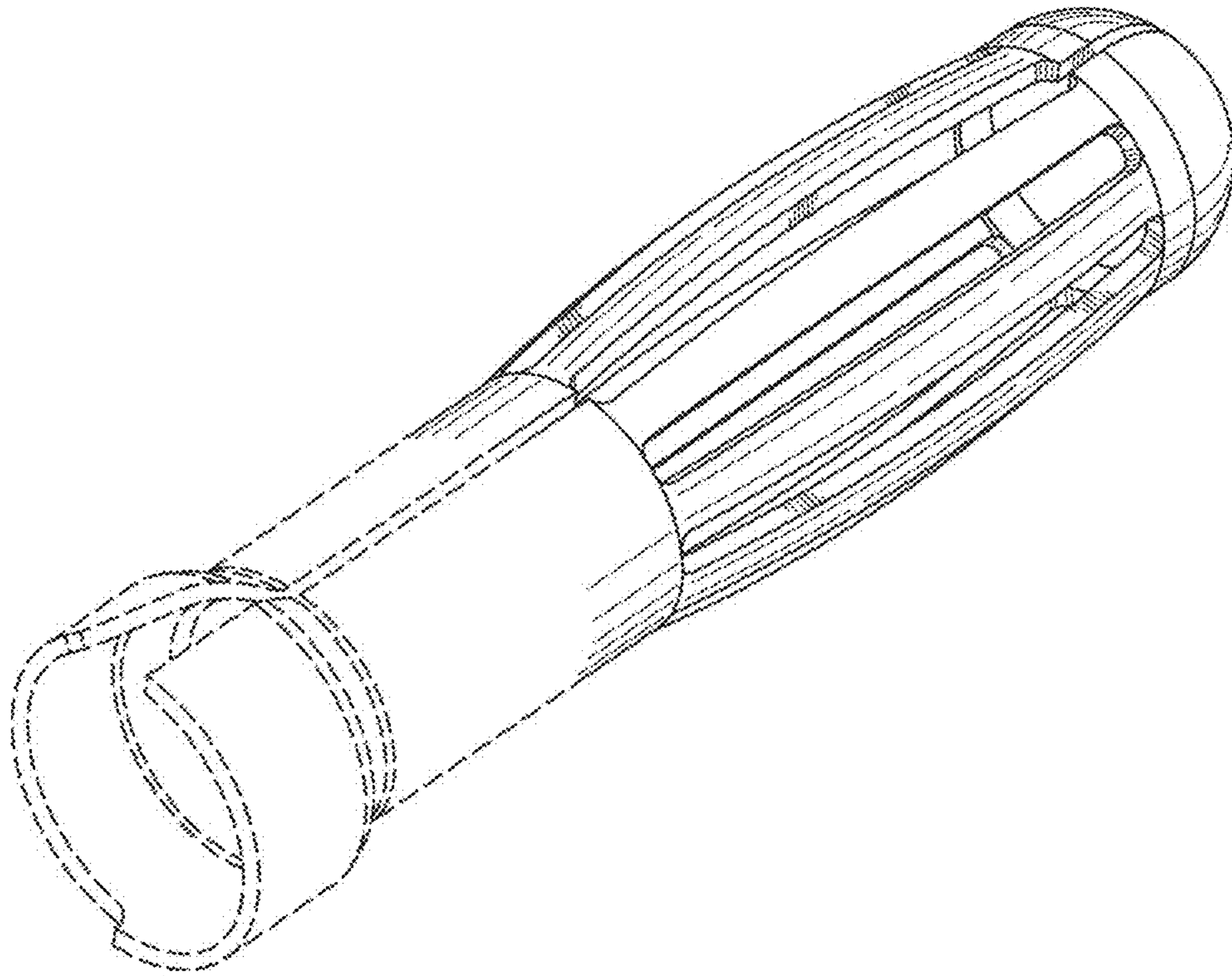


FIG. 1

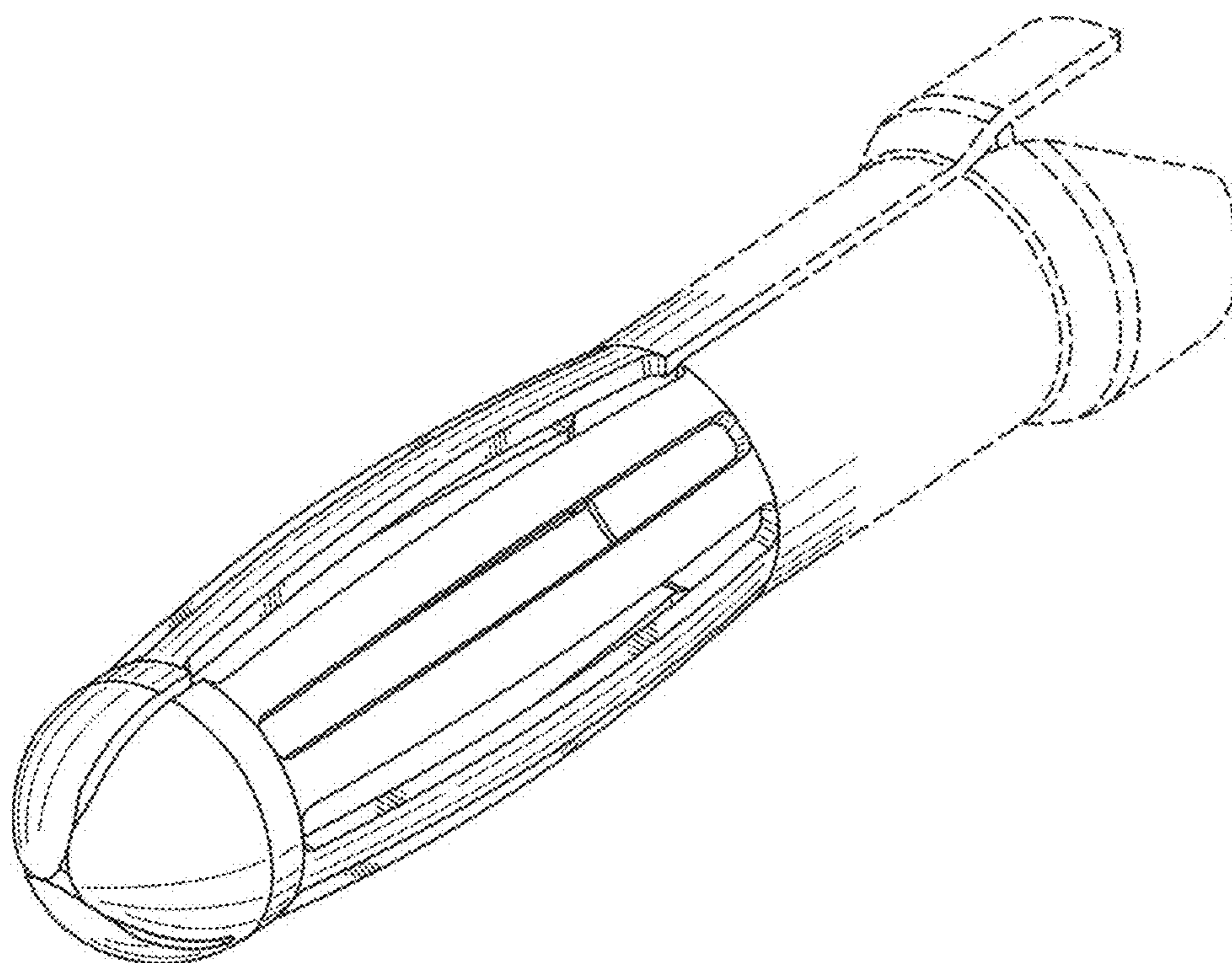


FIG. 2

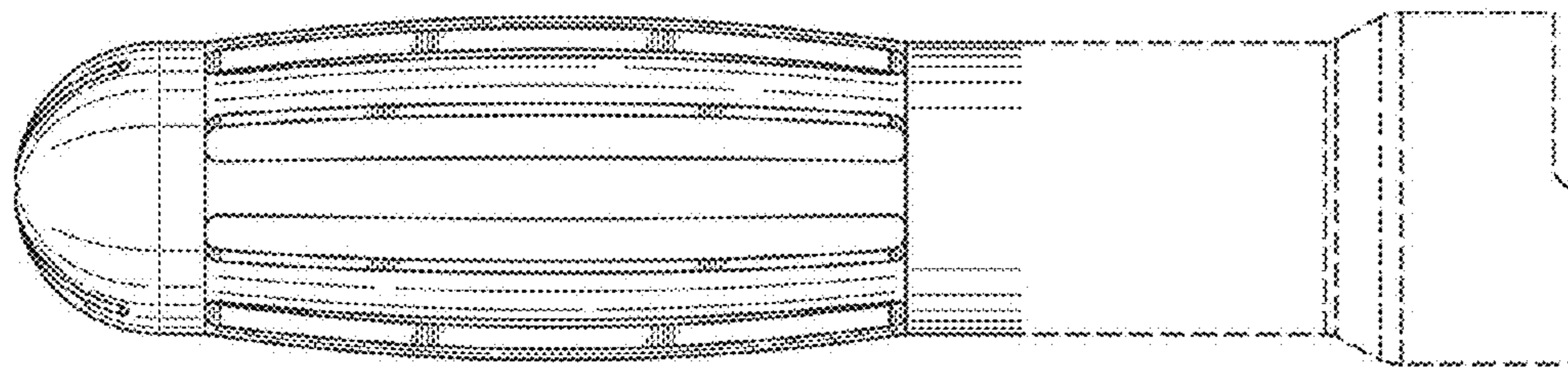


FIG. 3

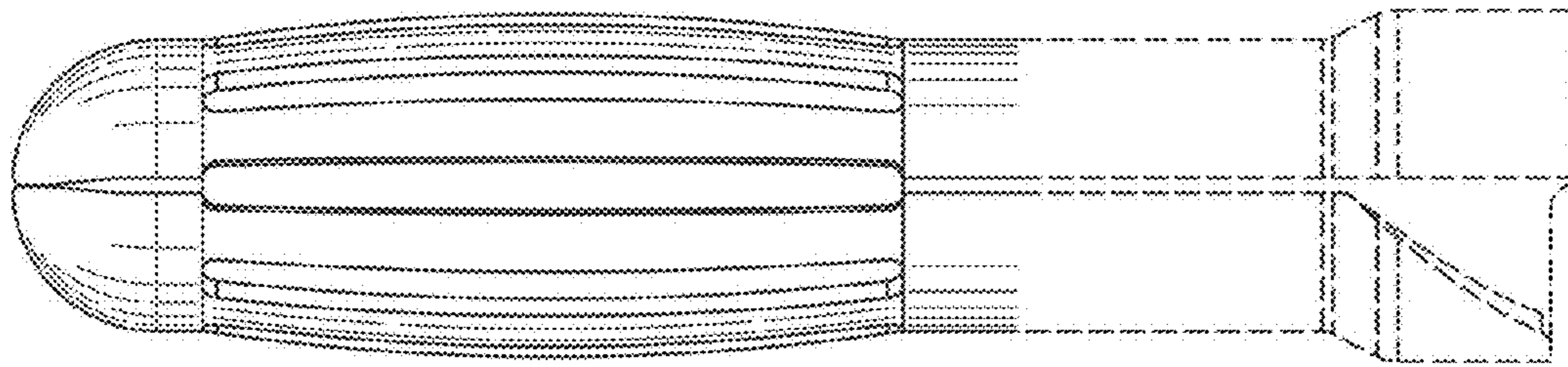


FIG. 4

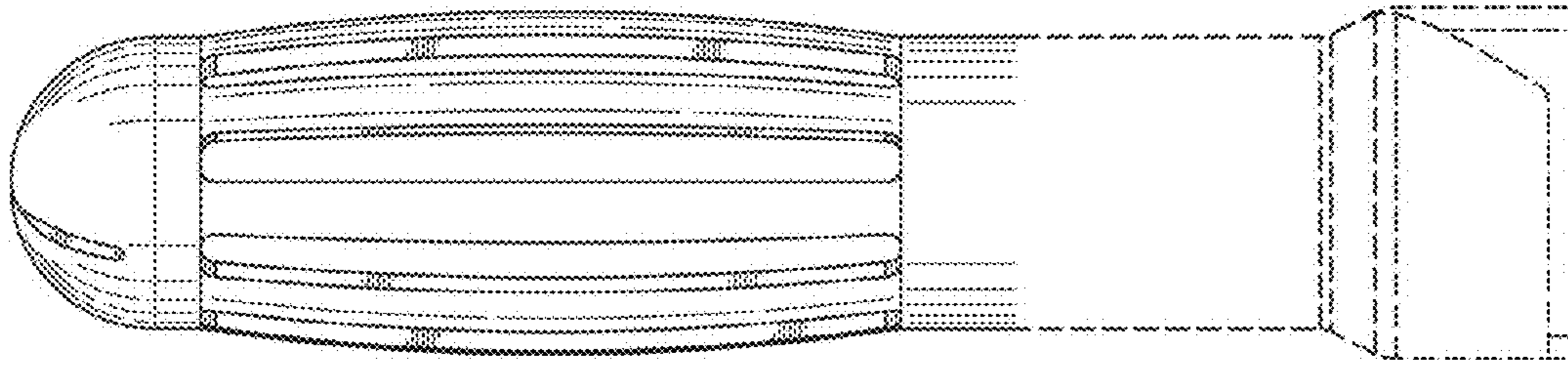


FIG. 5

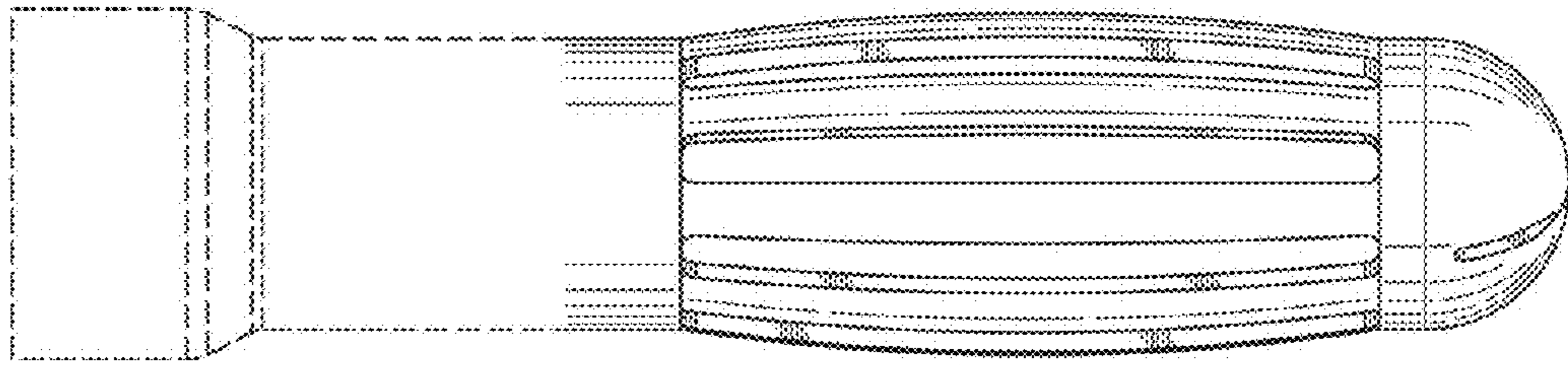


FIG. 6

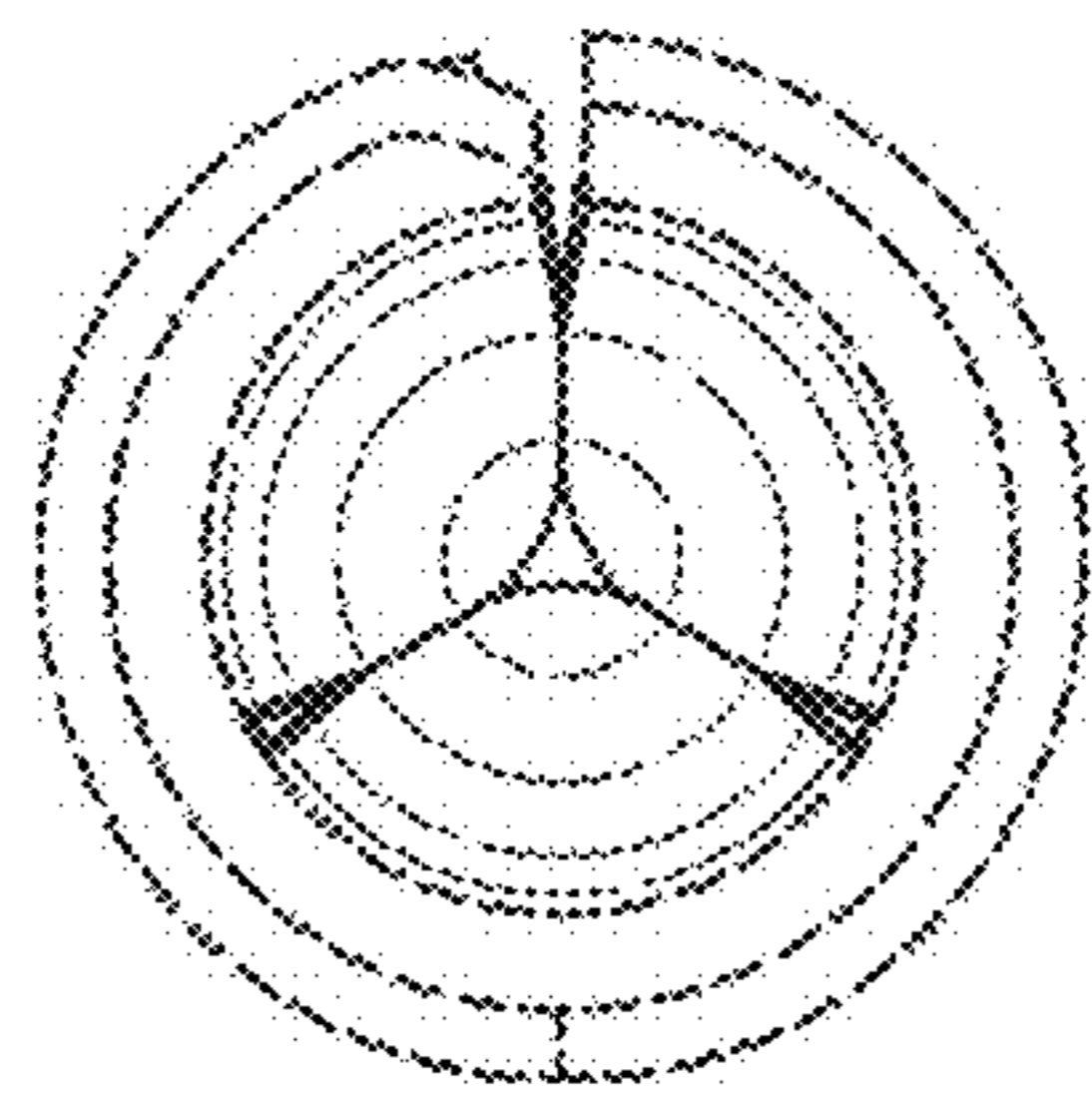


FIG. 7

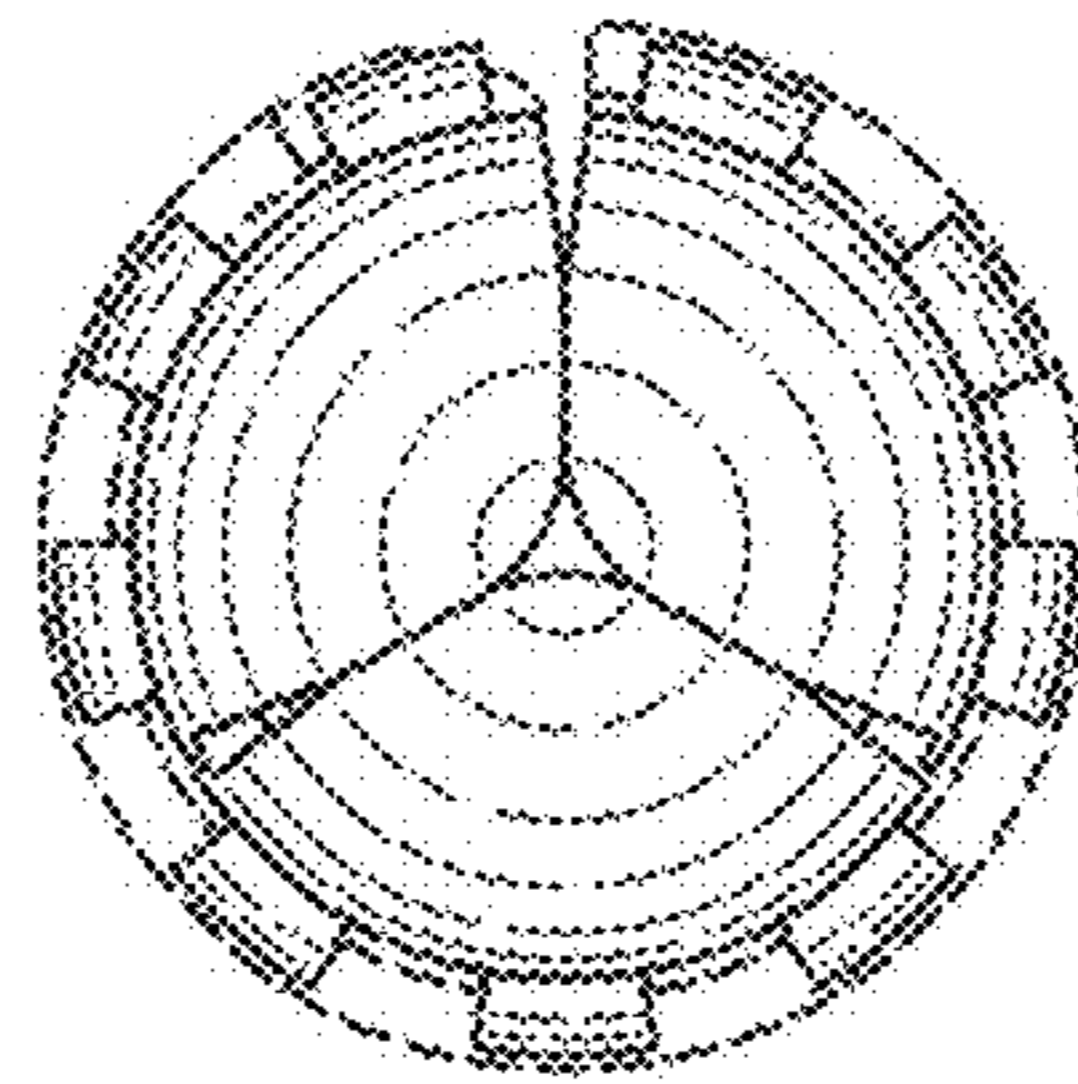


FIG. 8