



US00D770977S

(12) **United States Design Patent** (10) **Patent No.:** **US D770,977 S**  
**Wu** (45) **Date of Patent:** **\*\* Nov. 8, 2016**

- (54) **VIBRATION GENERATOR WITH CLAMPING FIXTURE**
- (71) Applicant: **CHUAN LIANG INDUSTRIAL CO., LTD.**, Taichung (TW)
- (72) Inventor: **Jung-Chun Wu**, Taichung (TW)
- (73) Assignee: **CHUAN LIANG INDUSTRIAL CO., LTD.**, Taichung (TW)
- (\*\*) Term: **14 Years**
- (21) Appl. No.: **29/503,457**
- (22) Filed: **Sep. 26, 2014**
- (51) **LOC (10) Cl.** ..... **13-01**
- (52) **U.S. Cl.**  
USPC ..... **D13/114**
- (58) **Field of Classification Search**  
USPC ..... D13/112, 101, 110, 113-118, 122, 123, D13/154, 162, 164, 184, 199; 29/596, 598; 74/606 R, 609; 310/10, 40 MM, 40 R, 310/42, 51, 52, 58, 64, 71, 80, 83, 85, 88, 310/89, 91, 109, 236, 239, 254; 318/245, 318/255; 322/16, 39; 361/688, 704, 709  
CPC ..... H02K 5/24; H02K 3/24; H02K 3/47; F16H 2057/02034; Y10T 74/2186  
See application file for complete search history.

- (56) **References Cited**  
U.S. PATENT DOCUMENTS  
D184,345 S \* 2/1959 Ernst ..... D13/112  
D364,375 S \* 11/1995 Sakashita ..... D13/112  
5,818,135 A \* 10/1998 Riedl ..... B06B 1/166  
173/49  
D462,937 S \* 9/2002 Nord ..... D13/112  
D516,506 S \* 3/2006 Ichimaru ..... D13/112  
7,705,500 B2 \* 4/2010 Mills ..... A61H 1/005  
310/81

- D633,867 S \* 3/2011 Sasaki ..... D13/112
- 8,201,478 B2 \* 6/2012 Ramirez, Jr. .... F16H 57/039  
74/416
- D693,300 S \* 11/2013 Fukasawa ..... D13/112
- D694,186 S \* 11/2013 Terashita ..... D13/112
- D709,450 S \* 7/2014 Tanabe ..... D13/112
- D709,451 S \* 7/2014 Tanabe ..... D13/112
- D710,801 S \* 8/2014 Tanaka ..... D13/112
- 9,124,152 B2 \* 9/2015 Jiang ..... H02K 5/148
- 9,184,526 B2 \* 11/2015 Tamaki ..... H01R 13/112
- 9,188,214 B2 \* 11/2015 Suto ..... F16H 1/16
- 2013/0220073 A1 \* 8/2013 Suto ..... F16H 1/16  
74/606 R
- 2013/0285484 A1 \* 10/2013 Billman ..... H02K 7/1166  
310/51

\* cited by examiner

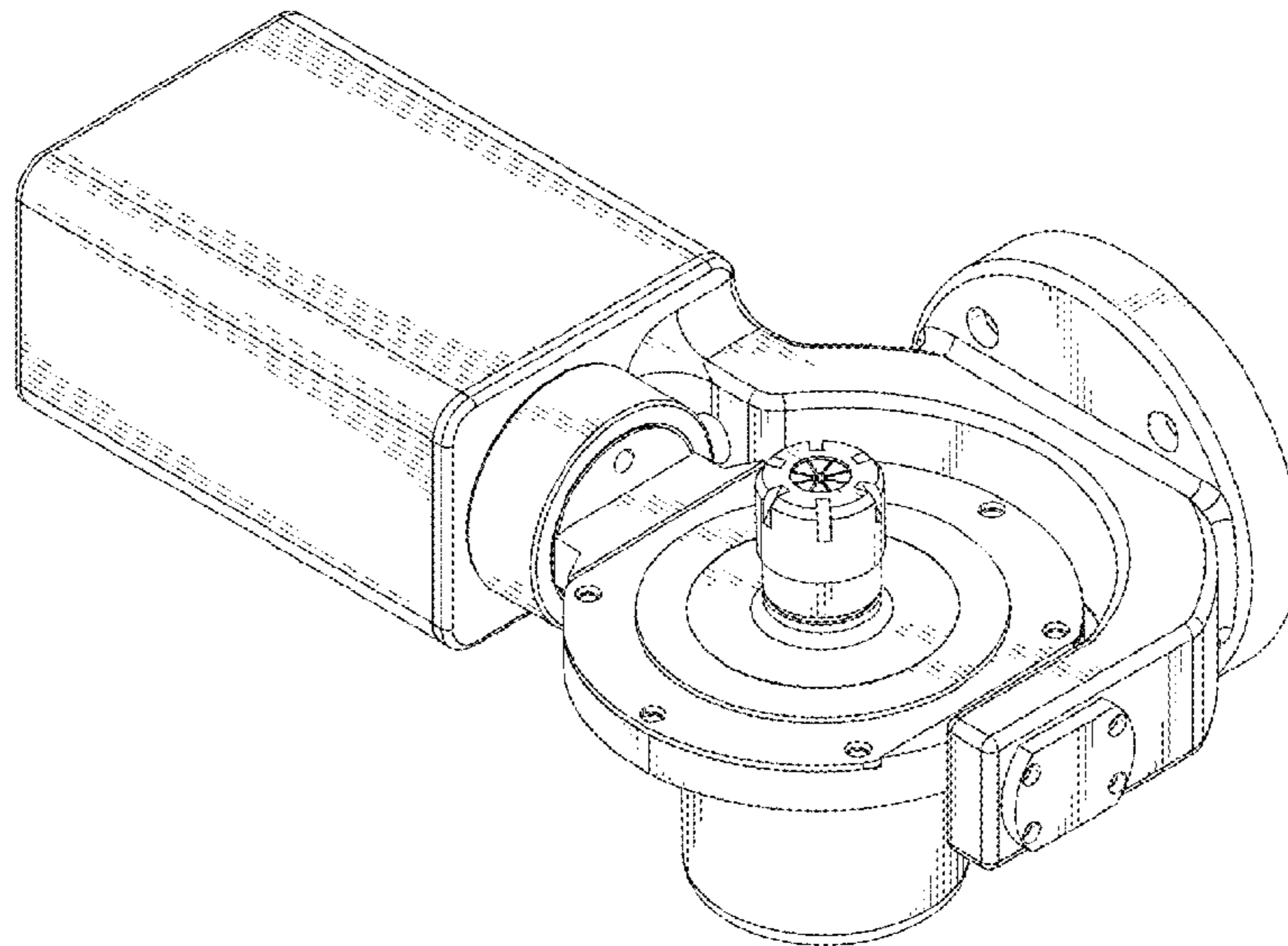
*Primary Examiner* — Derrick Holland  
*Assistant Examiner* — Jennifer O King  
(74) *Attorney, Agent, or Firm* — Jackson IPG PLLC;  
Demian K. Jackson

(57) **CLAIM**  
The ornamental design for a vibration generator with clamping fixture, as shown and described.

**DESCRIPTION**

FIG. 1 a perspective view of a vibration generator with clamping fixture showing my new design;  
FIG. 2 is a front elevation view thereof;  
FIG. 3 is a rear elevation view thereof;  
FIG. 4 is a left side view thereof;  
FIG. 5 is a right side view thereof;  
FIG. 6 is a top plan view thereof; and,  
FIG. 7 is a bottom plan view thereof.  
The broken lines shown represent unclaimed subject matter and form no part of the claimed design.

**1 Claim, 7 Drawing Sheets**



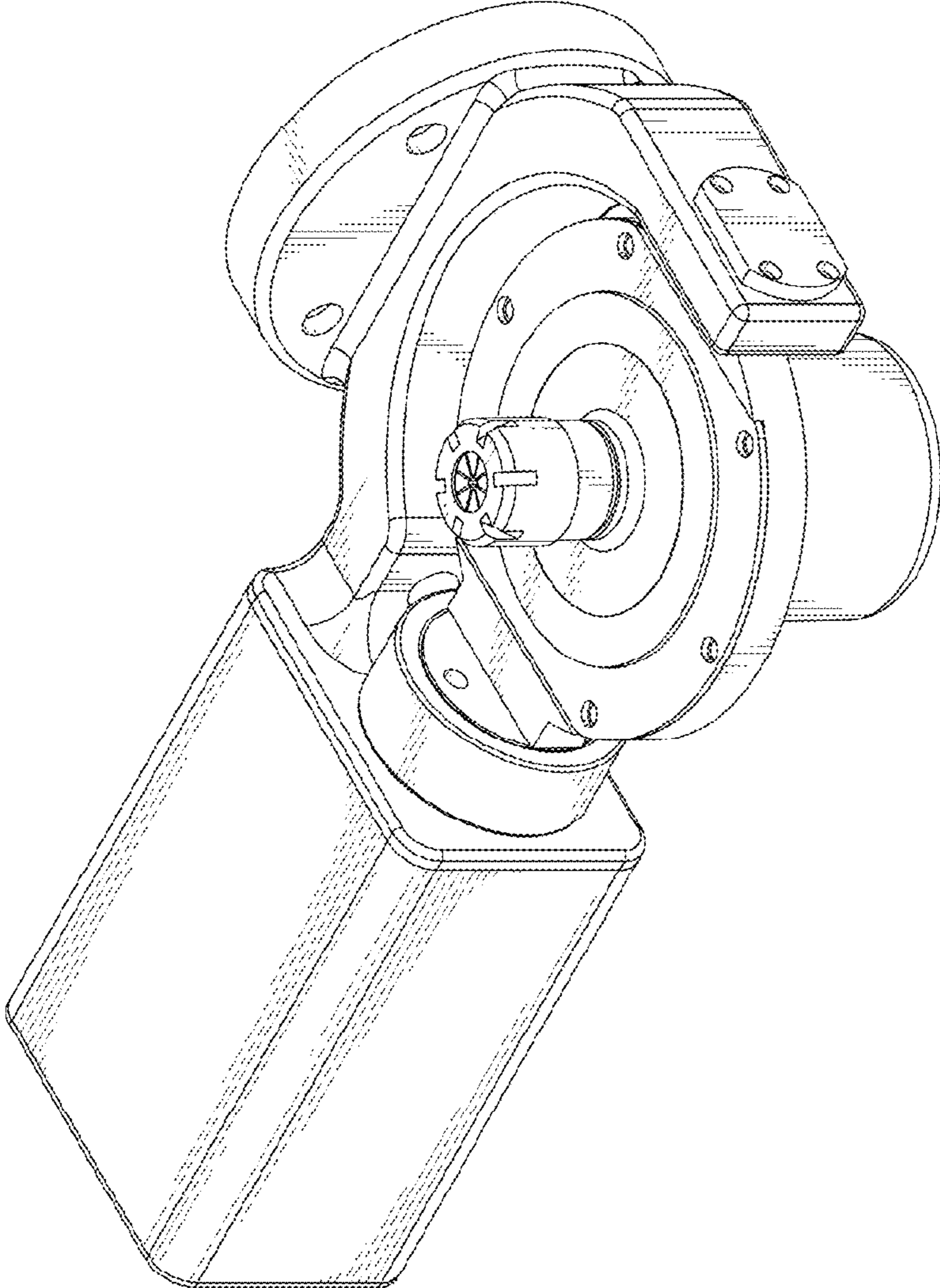


Fig . 1

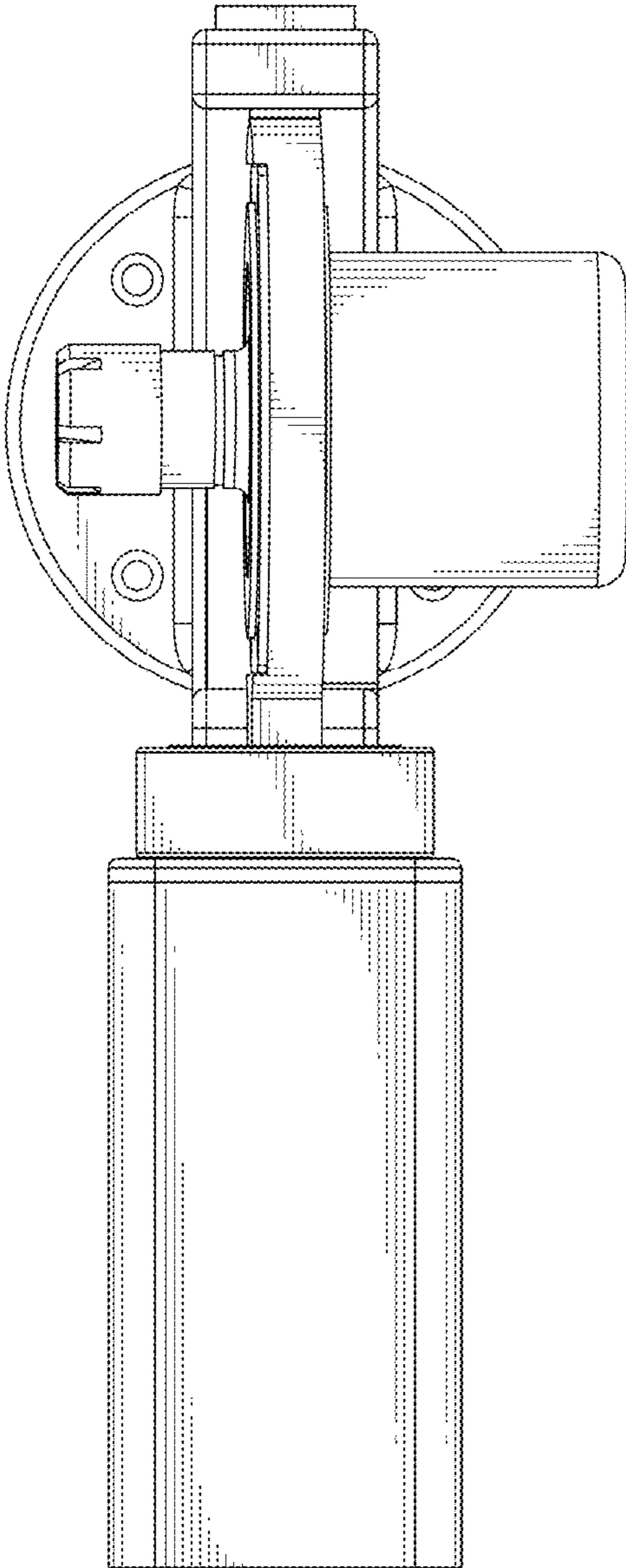


Fig. 2

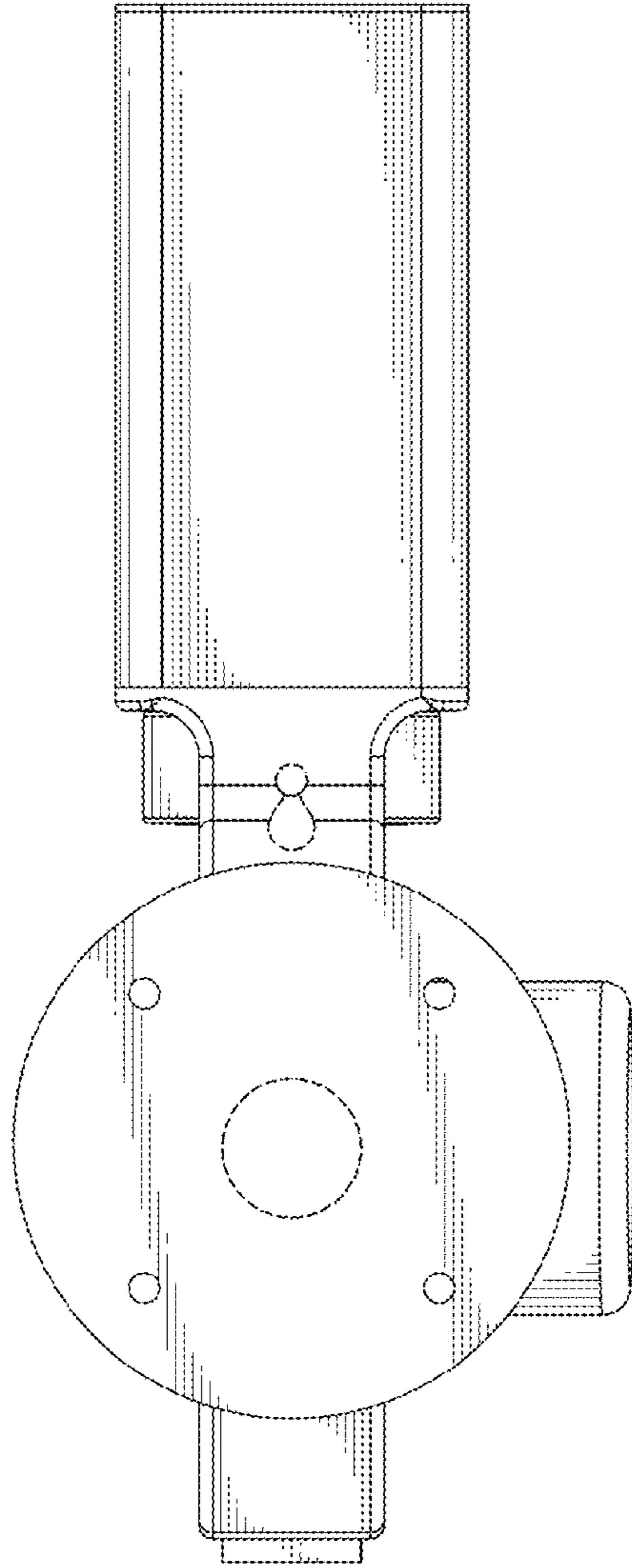


Fig. 3

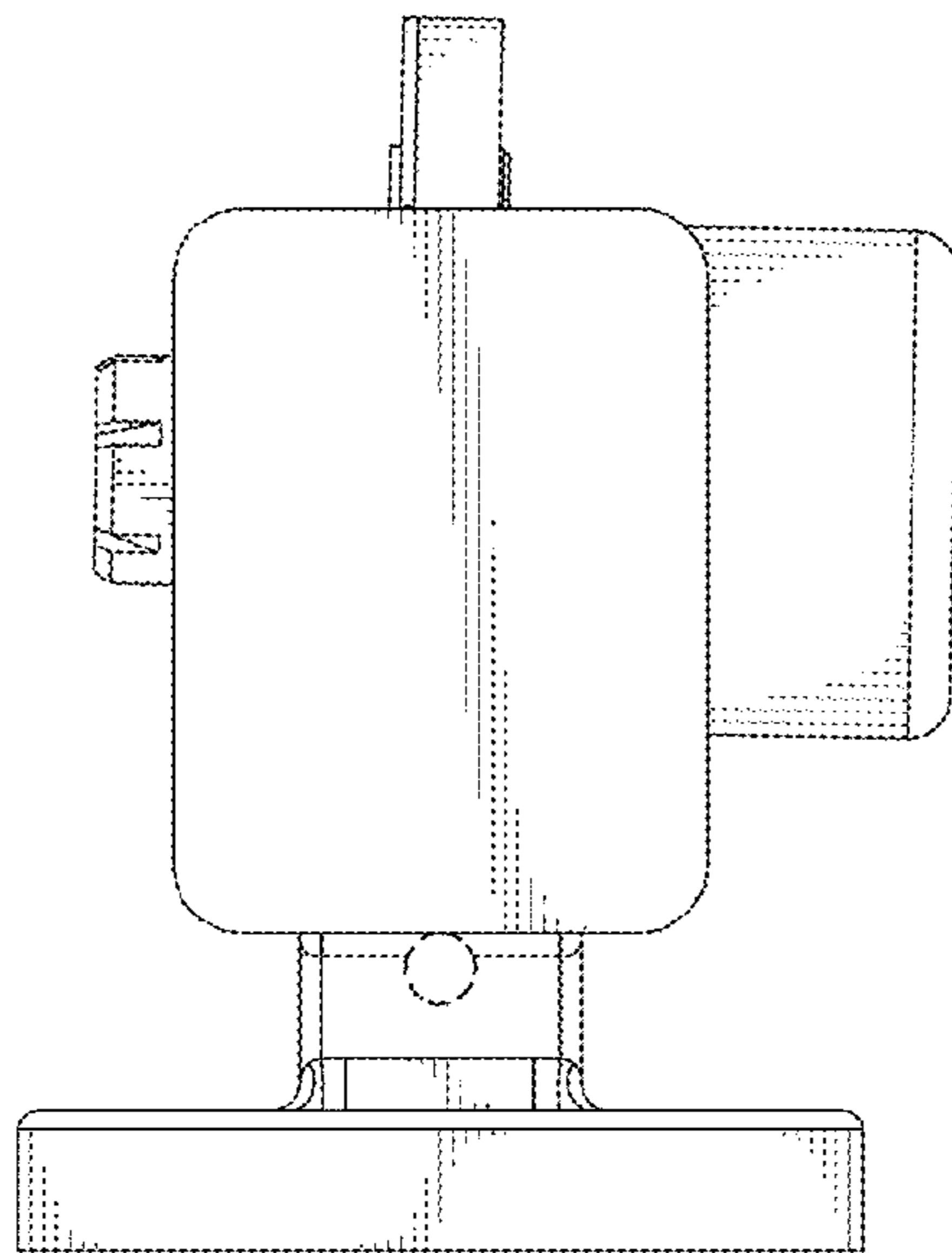


Fig. 4

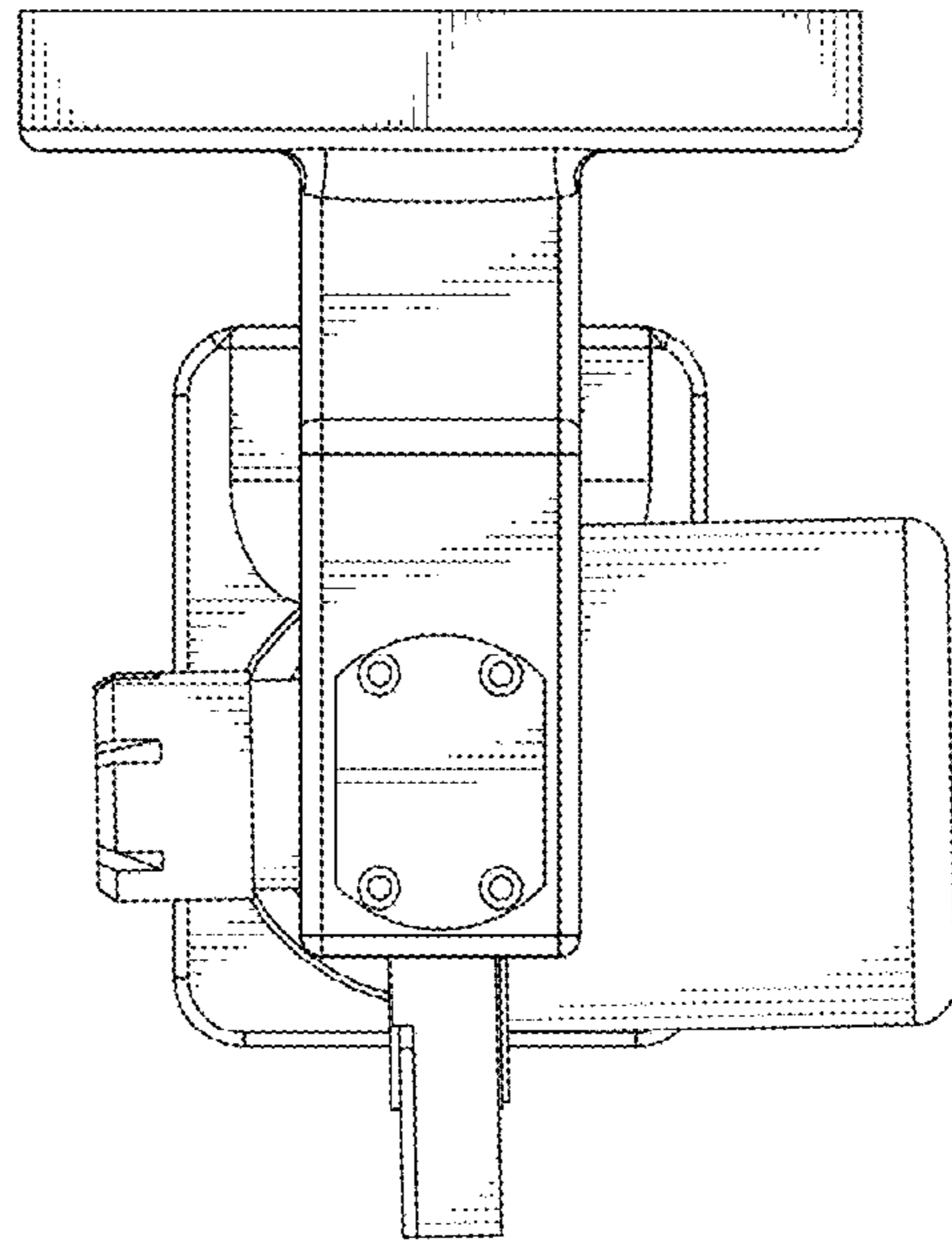


Fig. 5

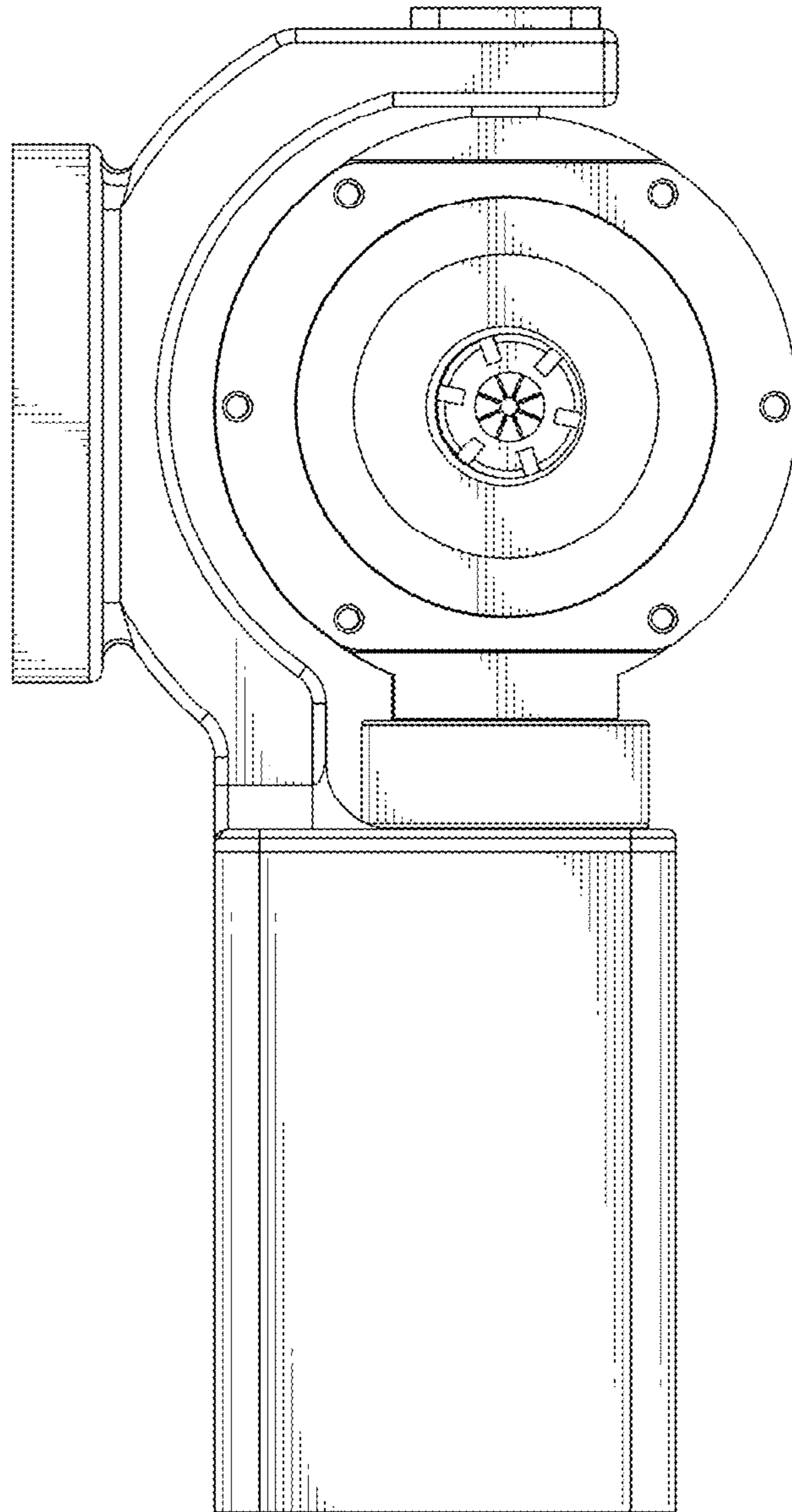


Fig. 6

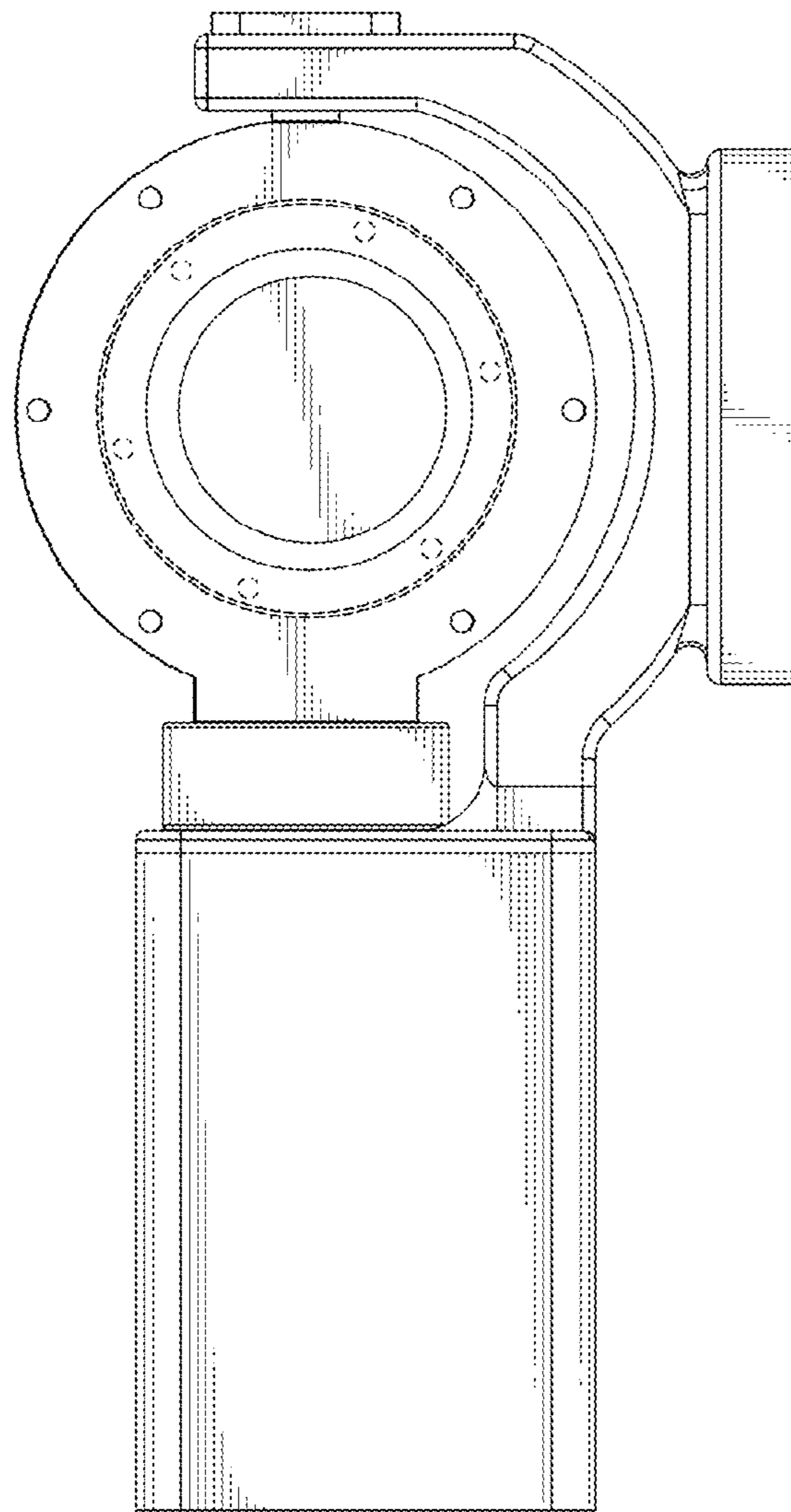


Fig. 7