



US00D770976S

(12) **United States Design Patent**  
**Xu**

(10) **Patent No.:** **US D770,976 S**

(45) **Date of Patent:** **\*\* Nov. 8, 2016**

(54) **ADAPTER**

(71) Applicant: **Guangdong BESTEK E-commerce Co., Ltd.**, Shenzhen (CN)

(72) Inventor: **Xinhua Xu**, Shenzhen (CN)

(73) Assignee: **GUANGDONG BESTEK E-COMMERCE CO., LTD.** (CN)

(\*\*) Term: **15 Years**

(21) Appl. No.: **29/531,043**

(22) Filed: **Jun. 23, 2015**

(51) **LOC (10) Cl.** ..... **13-02**

(52) **U.S. Cl.**  
USPC ..... **D13/110**

(58) **Field of Classification Search**  
USPC ..... D13/110, 107, 108, 118, 119, 123, 133,  
D13/137.1, 184, 199; D14/242, 251, 432,  
D14/433, 434; 174/53, 54, 59, 61; 307/11,  
307/150, 151; 320/107, 111, 112, 113, 114,  
320/115; 361/679.01; 363/142, 146;  
439/131, 172, 626, 628, 638  
CPC ..... H01R 31/06; H01R 25/00; H02M 7/003;  
H05K 7/1432; H02J 7/0062  
See application file for complete search history.

(56) **References Cited**

**U.S. PATENT DOCUMENTS**

D470,848 S \* 2/2003 Morooka ..... D14/433  
D503,679 S \* 4/2005 Andre ..... D13/110

D558,143 S \* 12/2007 Hsu ..... D13/110  
D559,848 S \* 1/2008 Siu ..... D14/433  
D560,165 S \* 1/2008 Matityahu ..... D13/133  
D575,730 S \* 8/2008 Hung ..... D13/110  
D624,495 S \* 9/2010 Shum ..... D13/110  
D654,432 S \* 2/2012 Brookshire ..... D13/110  
D693,768 S \* 11/2013 Alesi ..... D13/110  
D719,091 S \* 12/2014 Leddusire ..... D13/110

\* cited by examiner

*Primary Examiner* — Derrick Holland

(74) *Attorney, Agent, or Firm* — Garcia-Zamor IP Law;  
Ruy M. Garcia-Zamor

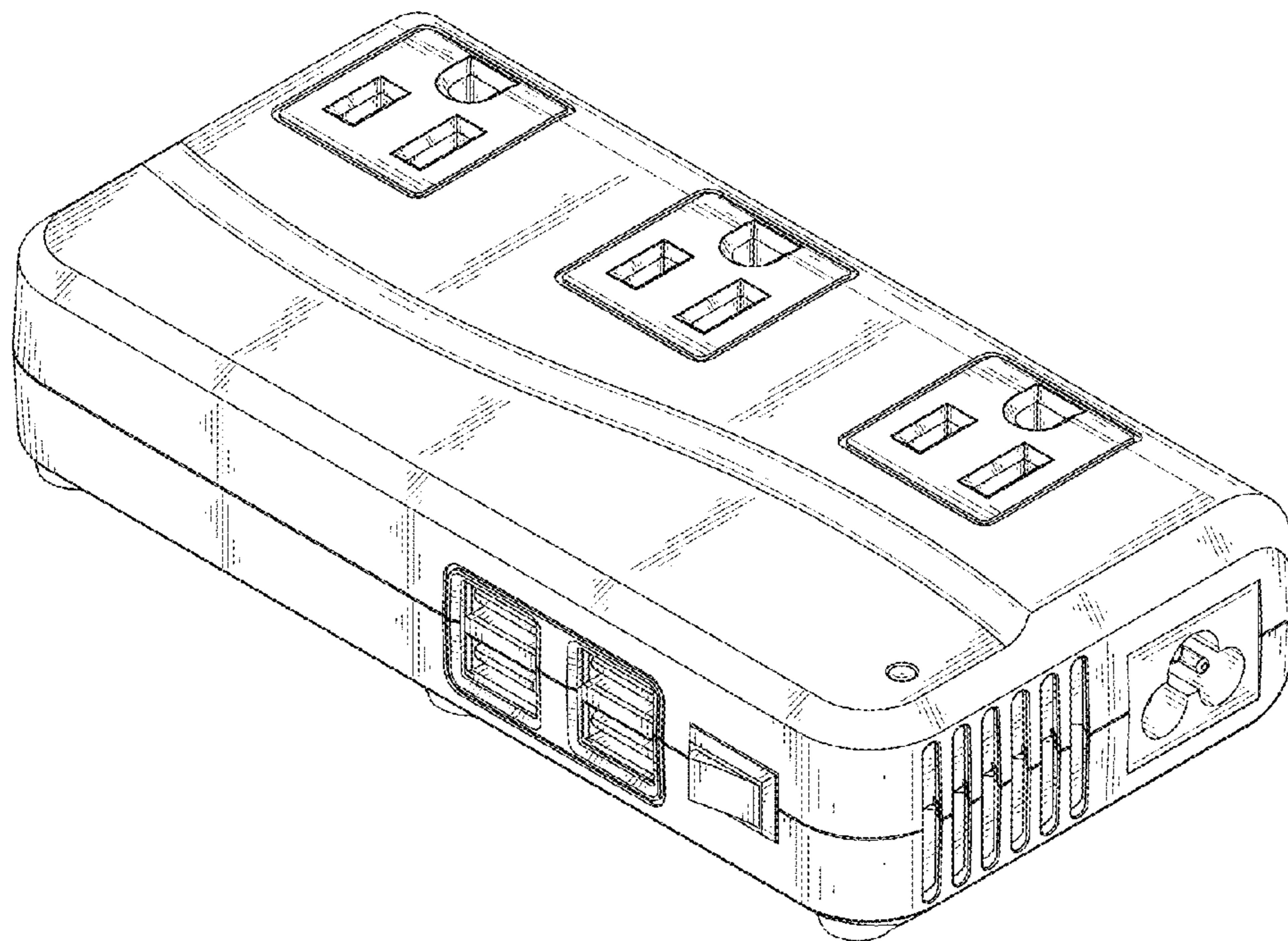
(57) **CLAIM**

I claim the ornamental design for an adapter, as shown and described.

**DESCRIPTION**

FIG. 1 is a perspective view of an adapter showing my new design;  
FIG. 2 is a front elevational view thereof;  
FIG. 3 is a rear elevational view thereof;  
FIG. 4 is a left side elevational view thereof;  
FIG. 5 is a right side elevational view thereof;  
FIG. 6 is a top plan view thereof; and,  
FIG. 7 is a bottom plan view thereof.

**1 Claim, 7 Drawing Sheets**



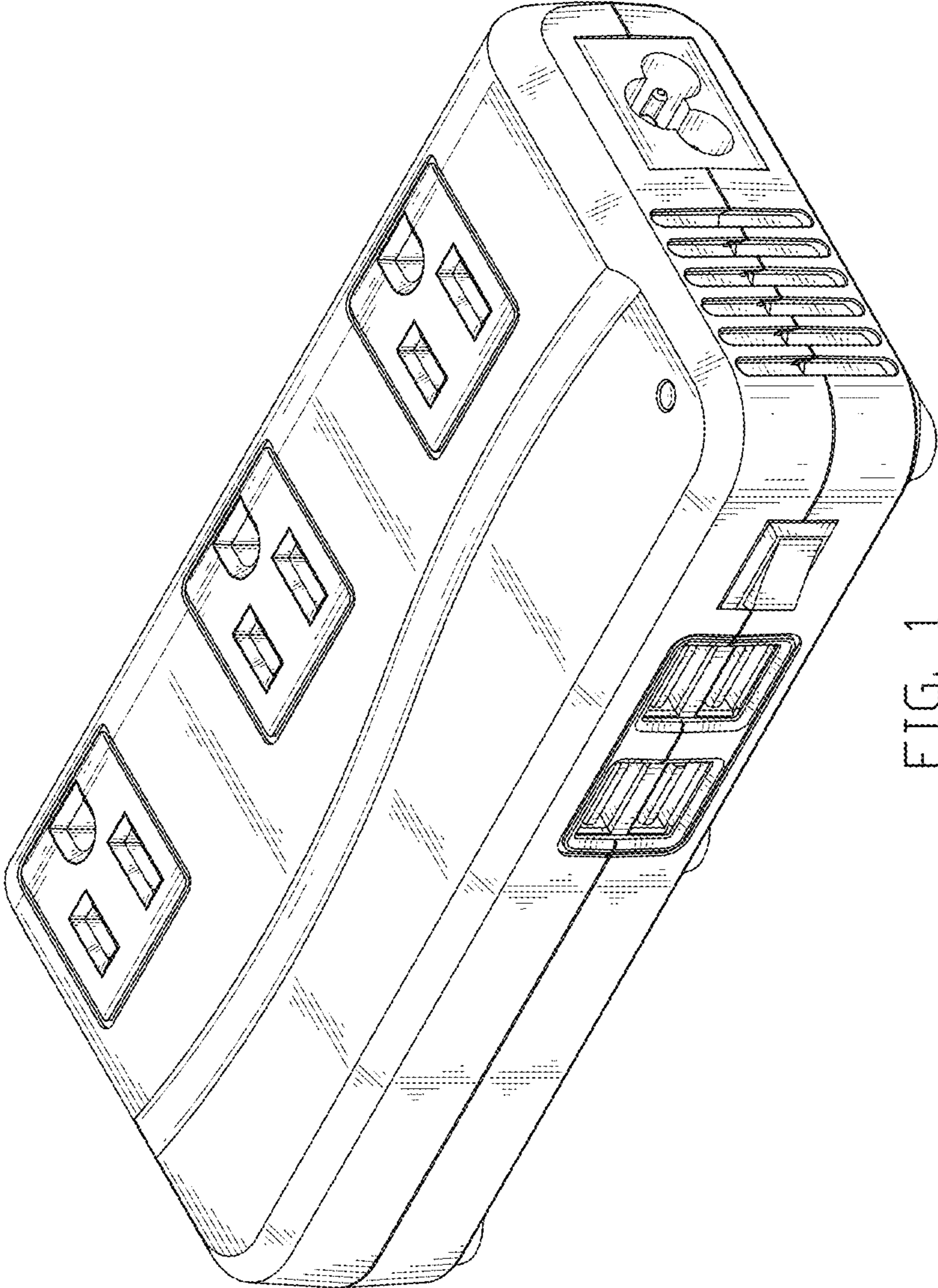


FIG. 1

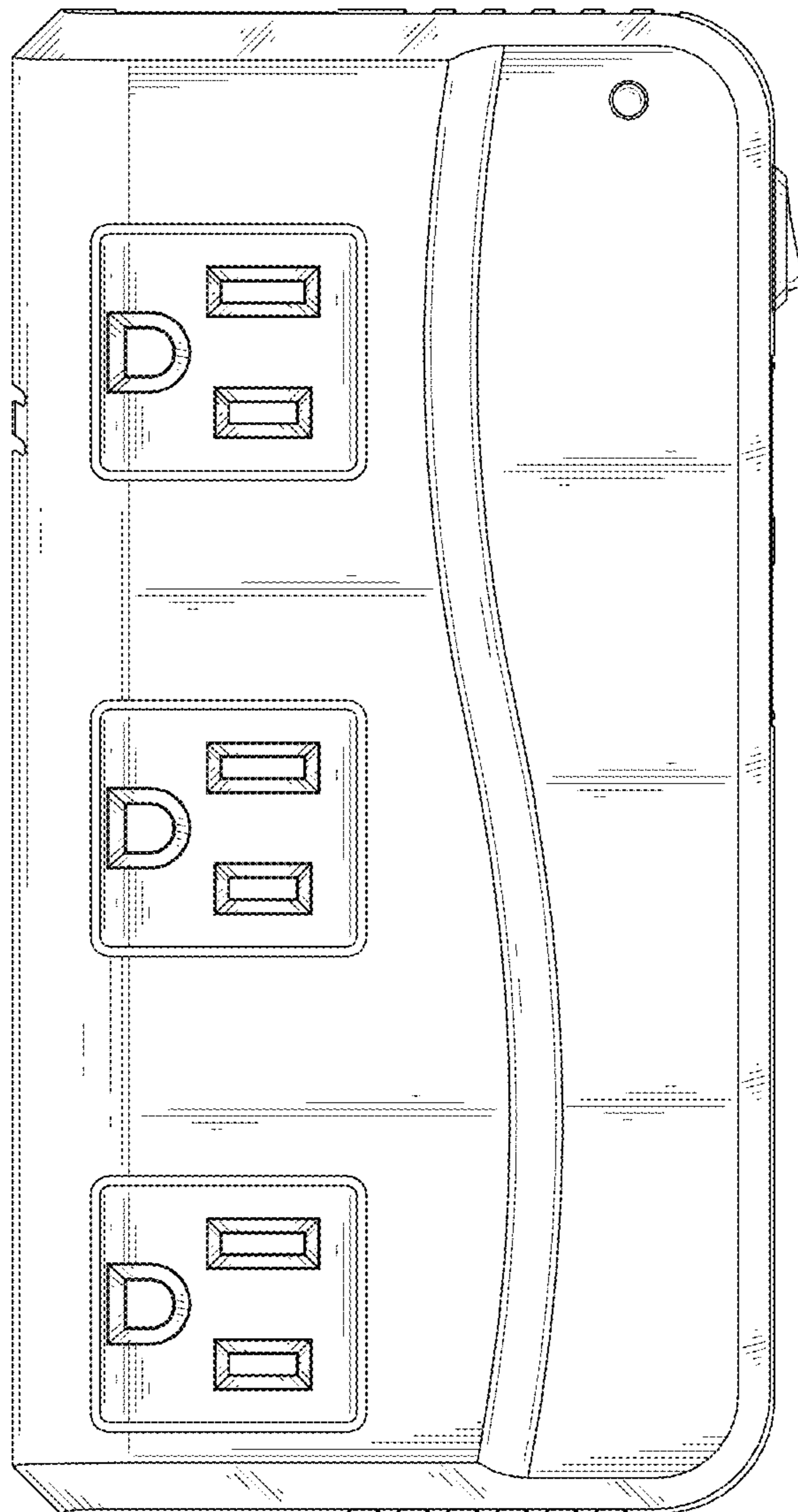


FIG. 2

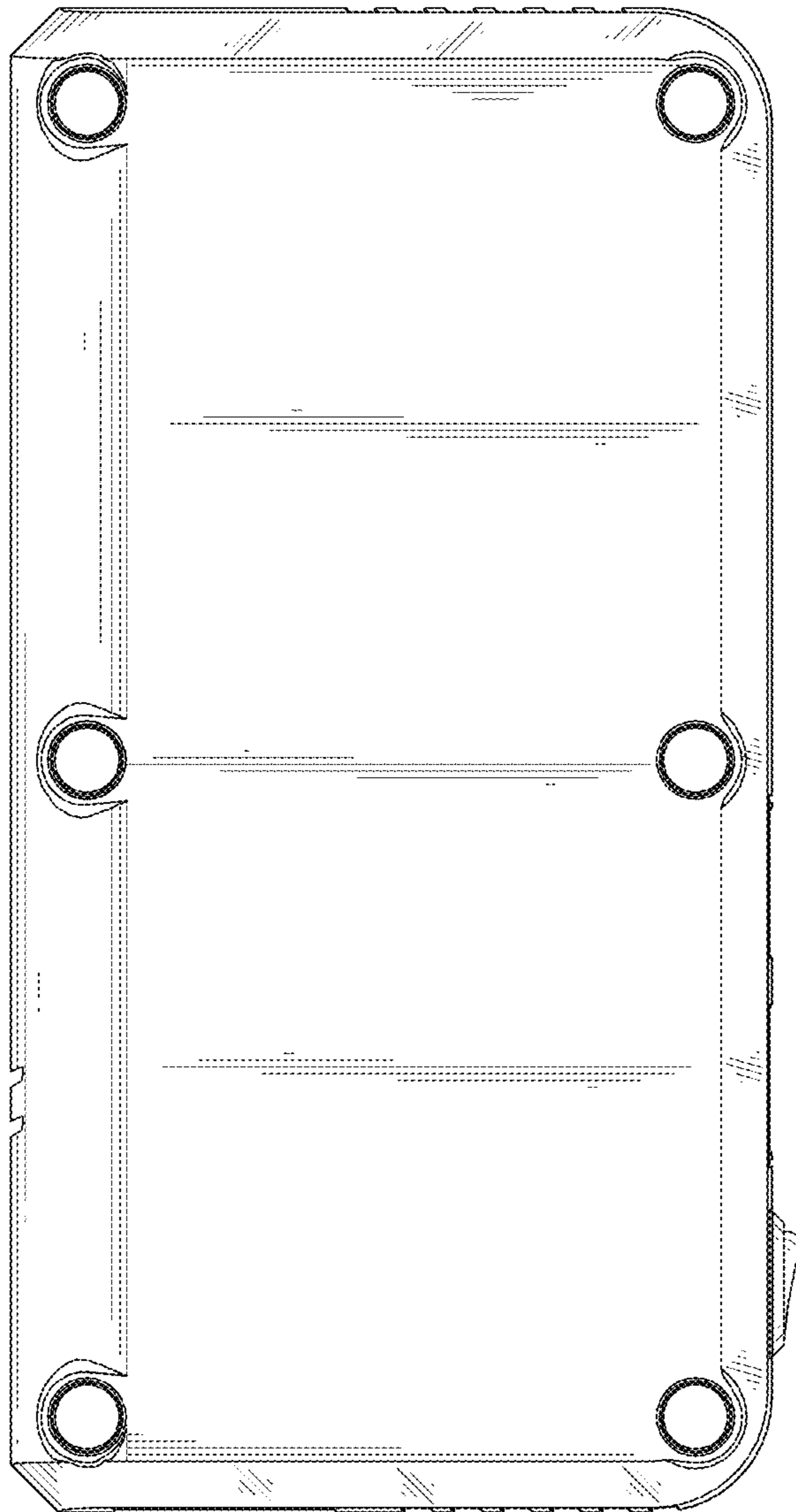


FIG. 3



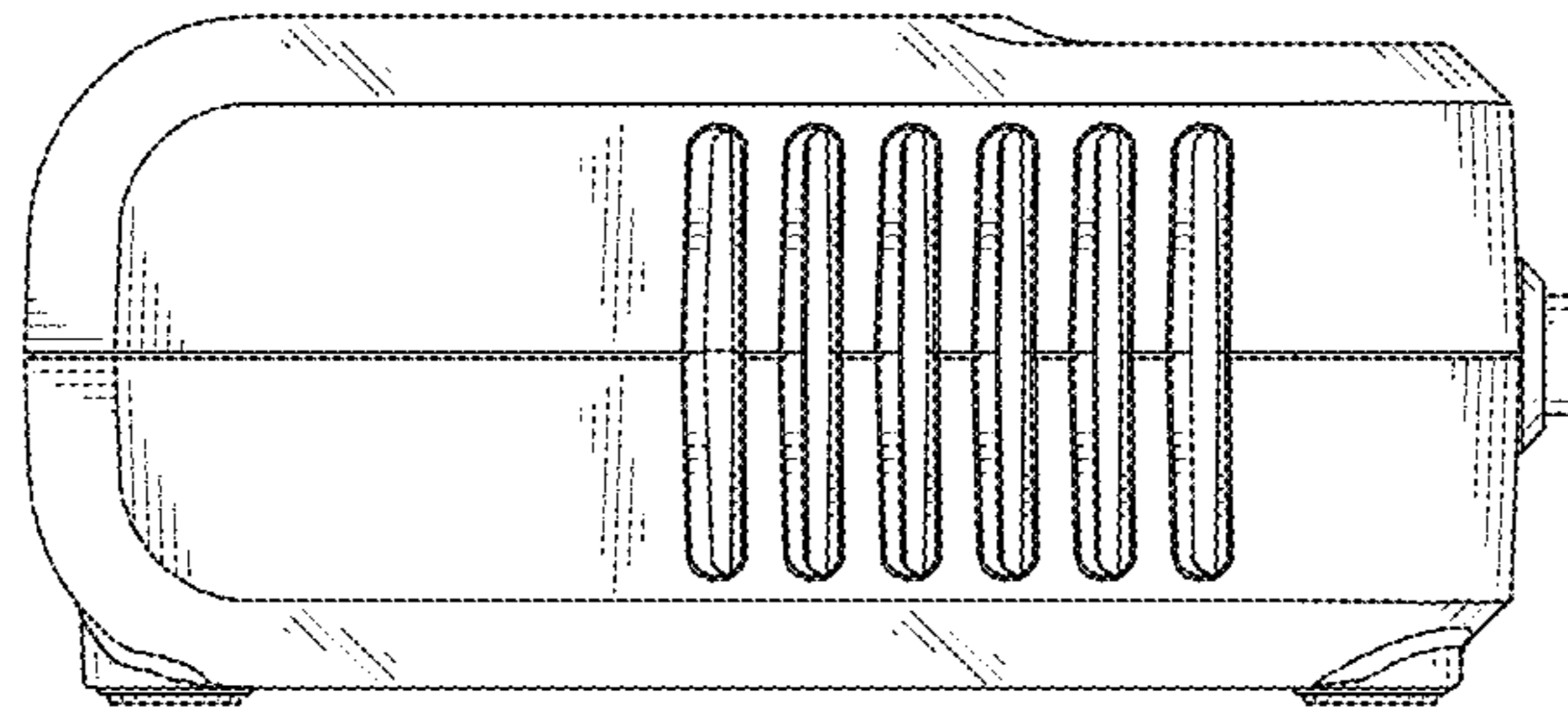


FIG. 4

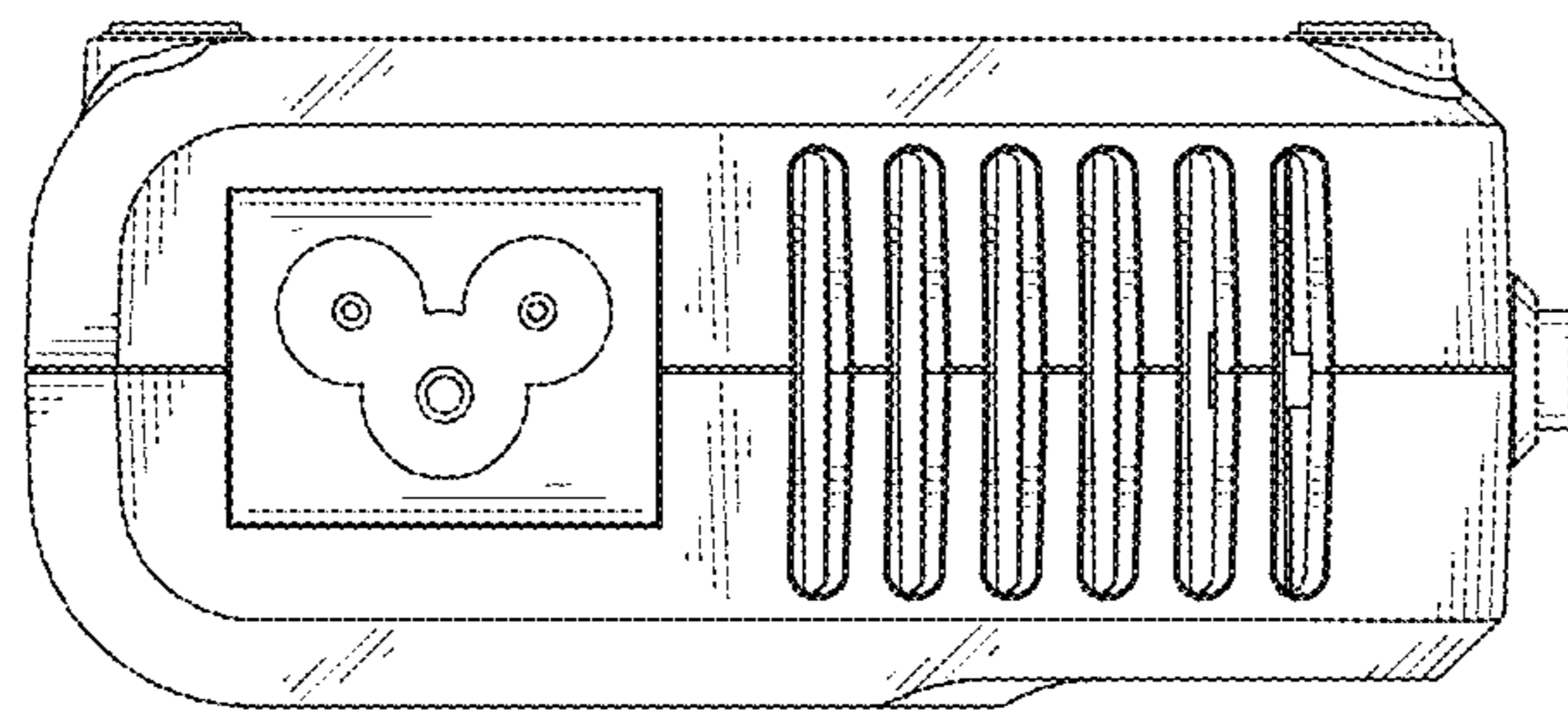


FIG. 5

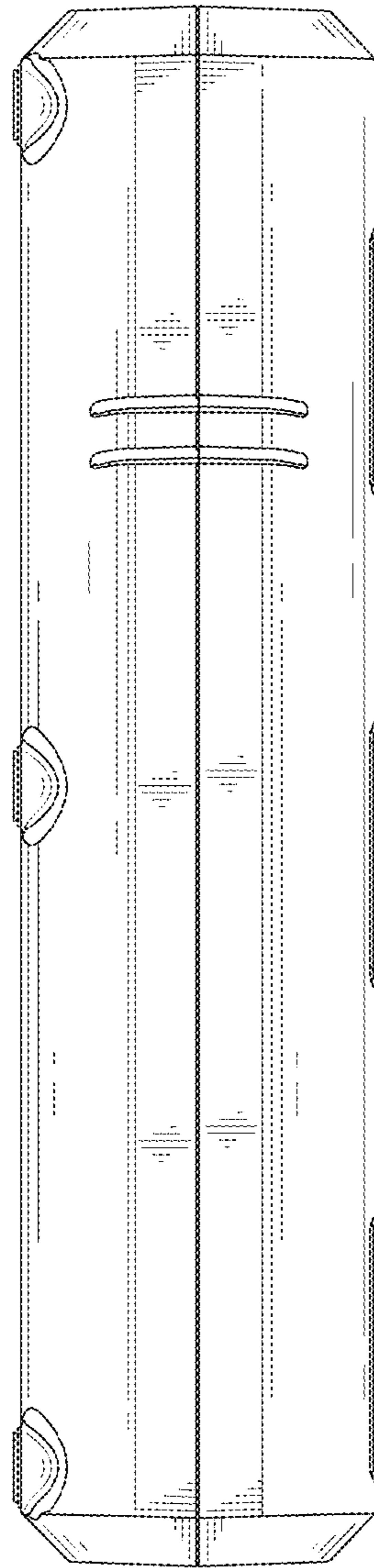


FIG. 6

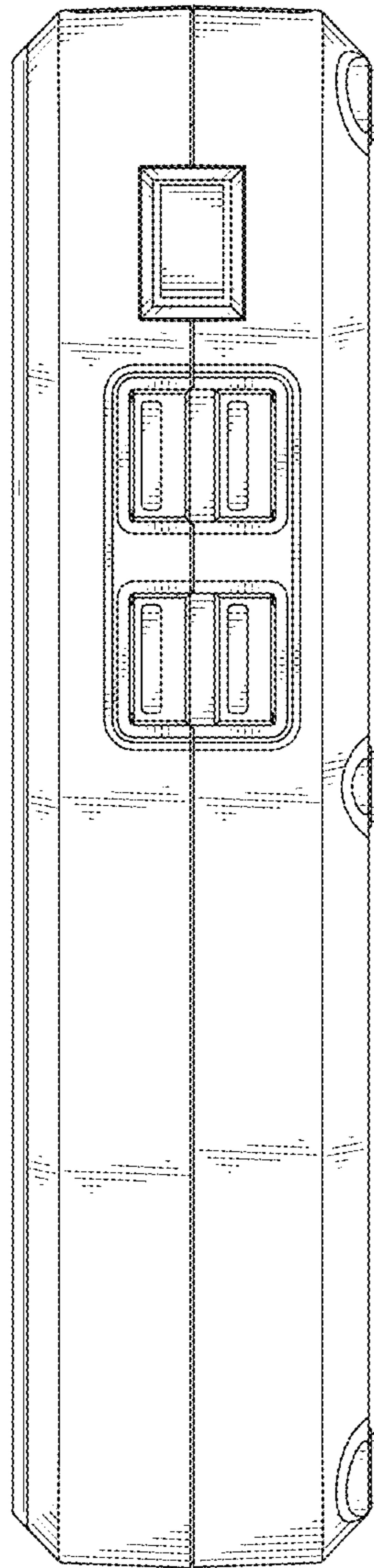


FIG. 7