



US00D770969S

(12) **United States Design Patent** (10) **Patent No.:** **US D770,969 S**
Schmidt et al. (45) **Date of Patent:** **** Nov. 8, 2016**

(54) **VEHICLE TIRE**

(71) Applicant: **CONTINENTAL REIFEN DEUTSCHLAND GMBH**, Hannover (DE)

(72) Inventors: **Peter Schmidt**, Lehrte (DE); **Bernd Zimmermann**, Landau (DE); **Ralf Krieger**, Hannover (DE); **Nikolas Heinrich**, Neustadt (DE)

(73) Assignee: **Continental Reifen Deutschland GmbH**, Hannover (DE)

(**) Term: **15 Years**

(21) Appl. No.: **29/529,285**

(22) Filed: **Jun. 5, 2015**

(30) **Foreign Application Priority Data**

Dec. 5, 2014 (EM) 002591750-0001

(51) **LOC (10) Cl.** **12-15**

(52) **U.S. Cl.**
USPC **D12/579**

(58) **Field of Classification Search**
USPC D12/500-604, 900
CPC B60C 1/0016; B60C 11/0306; B60C 11/0302; B60C 3/06; B60C 9/17
See application file for complete search history.

(56) **References Cited**

U.S. PATENT DOCUMENTS

D273,777 S *	5/1984	Igarashi	D12/579
D492,643 S *	7/2004	Robert	D12/579
D606,929 S *	12/2009	Song	D12/579
D614,118 S *	4/2010	Wells	D12/579
D620,428 S *	7/2010	Rayman	D12/579
D648,262 S *	11/2011	Hermann	D12/579
D678,831 S *	3/2013	Hermann	D12/579

* cited by examiner

Primary Examiner — Robert M Spear

Assistant Examiner — John Voytek

(74) *Attorney, Agent, or Firm* — Laurence A. Greenberg; Werner H. Stemer; Ralph E. Locher

(57) **CLAIM**

The ornamental design for a vehicle tire, as shown and described.

DESCRIPTION

FIG. 1 is a partial front view of the vehicle tire showing my new invention;

FIG. 2 is a front perspective view thereof;

FIG. 3 is a side elevation view thereof;

FIG. 4 is a side elevation view thereof; and,

FIG. 5 is a front elevation view thereof.

1 Claim, 5 Drawing Sheets



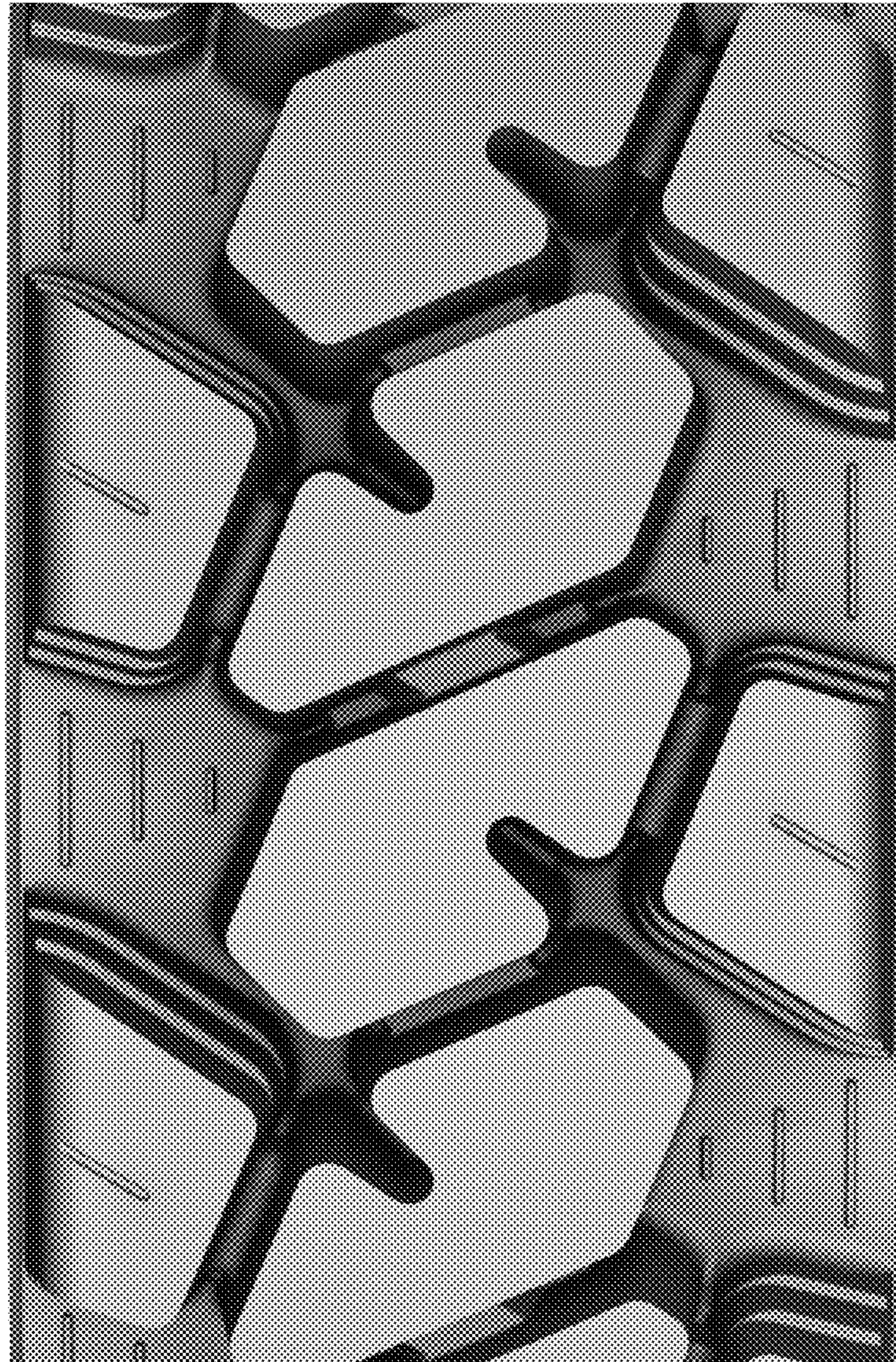


FIG. 1



FIG. 2

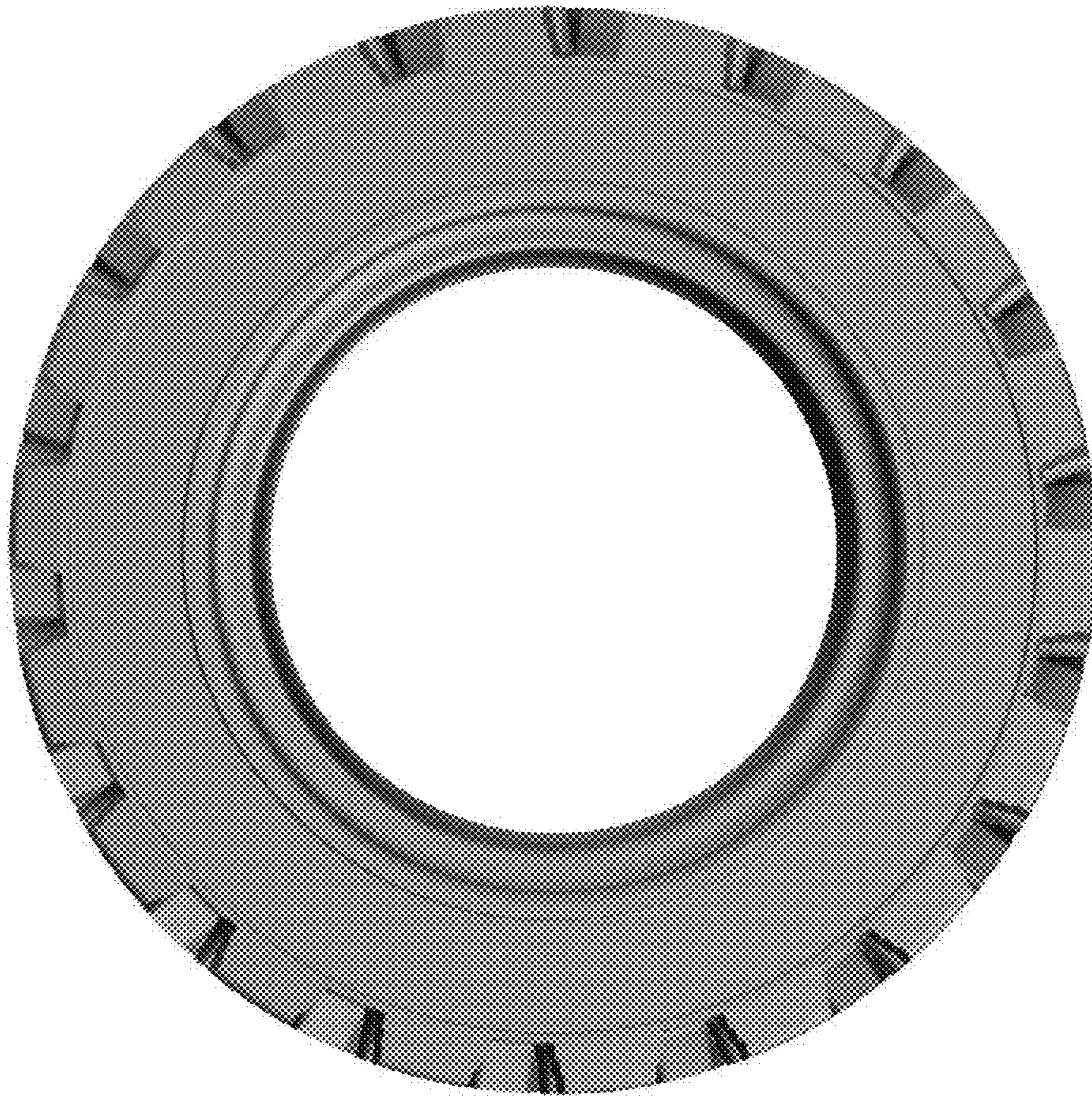


FIG. 3

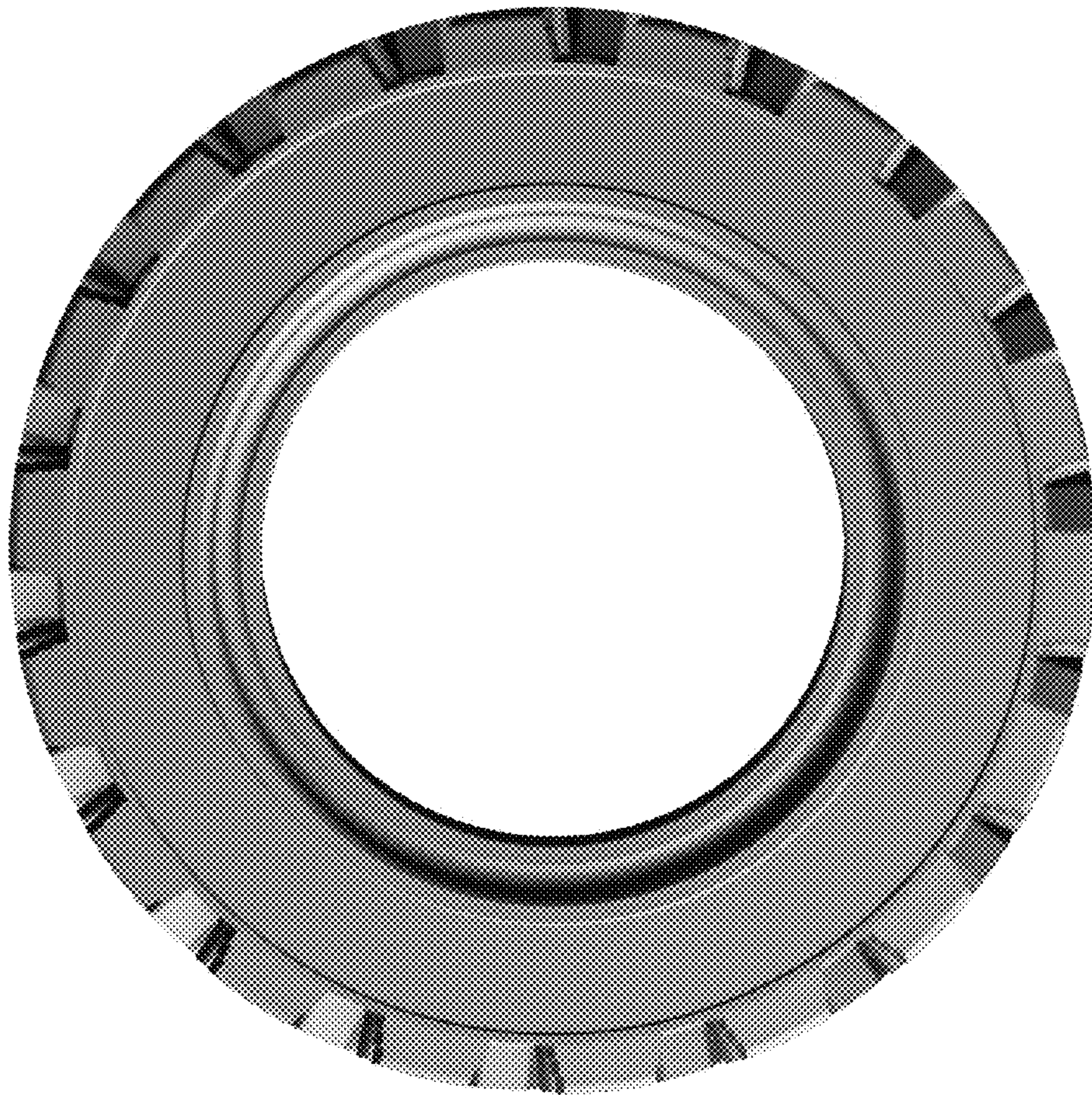


FIG. 4

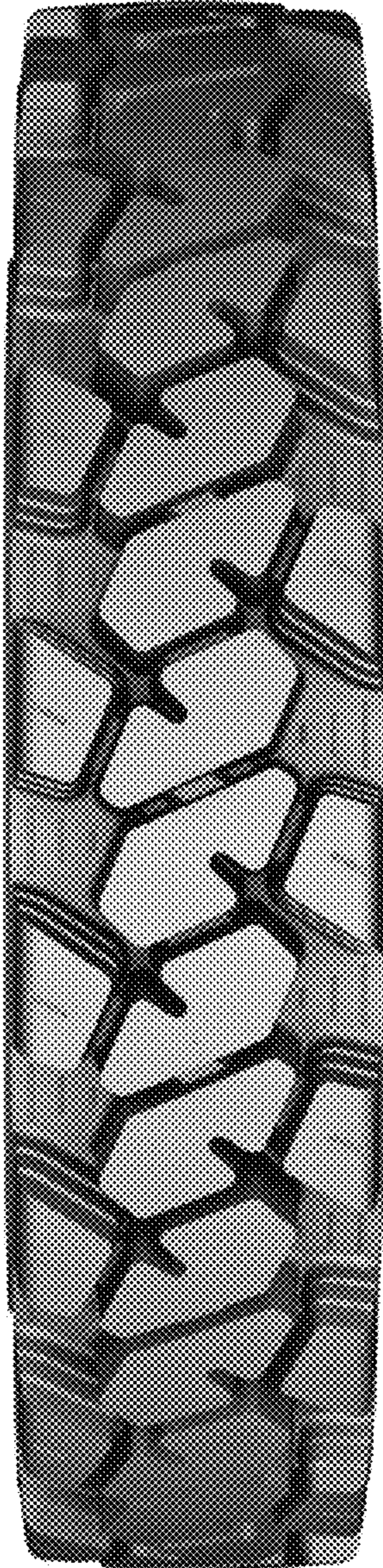


FIG. 5