



US00D770966S

(12) **United States Design Patent**
Teixeira

(10) **Patent No.:** **US D770,966 S**

(45) **Date of Patent:** **** Nov. 8, 2016**

(54) **FLOTATION SYSTEM FOR A UTILITY CART**

(71) Applicant: **Kenneth Dean Teixeira**, Victorville,
CA (US)

(72) Inventor: **Kenneth Dean Teixeira**, Victorville,
CA (US)

(**) Term: **15 Years**

(21) Appl. No.: **29/533,577**

(22) Filed: **Jul. 20, 2015**

(51) **LOC (10) Cl.** **12-06**

(52) **U.S. Cl.**
USPC **D12/316**

(58) **Field of Classification Search**
USPC D12/300–318
CPC B63B 35/00; B63B 35/34; B63B 35/613;
B63B 1/121; B63B 2001/123; B63B
2003/085; A63B 2225/605
See application file for complete search history.

(56) **References Cited**

U.S. PATENT DOCUMENTS

1,151,115	A *	8/1915	Maxwell	B63B 1/121 441/44
3,425,071	A *	2/1969	Frieder	B63B 7/08 428/12
3,857,352	A *	12/1974	Schott	B63B 1/121 114/267
D256,572	S *	8/1980	Jedzinski	D12/304
4,315,475	A *	2/1982	Echols	B63B 7/02 114/61.24
D292,785	S	11/1987	Warren		
4,854,257	A *	8/1989	Grayson	B63B 27/14 114/315
4,955,843	A *	9/1990	Bolanos	A63H 23/00 446/160
5,056,448	A *	10/1991	Miller, Sr.	B63B 7/04 114/357
5,237,954	A *	8/1993	Evans	B63B 7/02 114/352
5,290,196	A *	3/1994	Steel	B63B 35/74 441/130
D355,633	S	2/1995	Whitney		
D355,882	S	2/1995	Aubut et al.		
5,421,757	A *	6/1995	Basilieri	B63C 9/04 441/128

D374,264	S *	10/1996	Peterson	D21/803
D377,156	S	1/1997	Muir		
5,651,706	A *	7/1997	Kasper	B63B 7/082 114/354
D390,528	S *	2/1998	Roberson	D12/304
6,095,079	A *	8/2000	Smidt	B63B 1/12 114/353
6,244,066	B1	6/2001	LaRose		
6,311,632	B1 *	11/2001	Noel, Jr.	B63B 7/04 114/61.1
D460,038	S *	7/2002	Sosa	D12/300
6,536,367	B1 *	3/2003	Carter	B60F 3/0092 114/344
6,582,264	B2 *	6/2003	Brown	B63B 7/082 114/354
6,824,150	B2	11/2004	Simione		
D513,224	S *	12/2005	Powers	D12/300
D520,935	S	5/2006	Schoell		
D556,668	S *	12/2007	Quinn	D12/300
7,854,435	B2	12/2010	Campbell		
8,132,523	B2 *	3/2012	White, Jr.	B63B 7/04 114/352
8,714,099	B1 *	5/2014	Manderfeld	B63B 7/02 114/292
8,783,698	B1	7/2014	Elizondo et al.		

* cited by examiner

Primary Examiner — Cynthia M Chin

(74) *Attorney, Agent, or Firm* — Kirk A. Buhler;
Buhler & Associates

(57) **CLAIM**

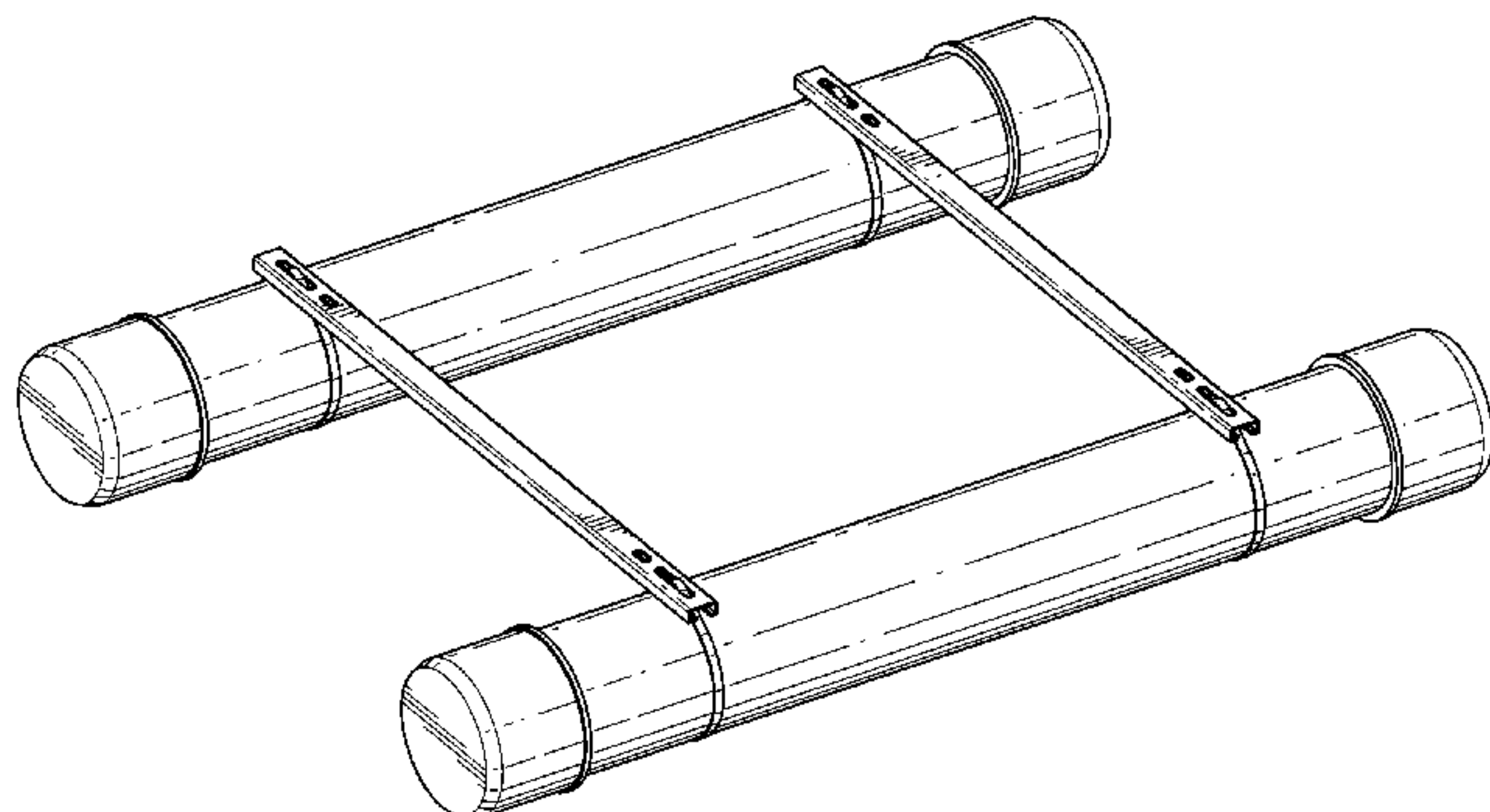
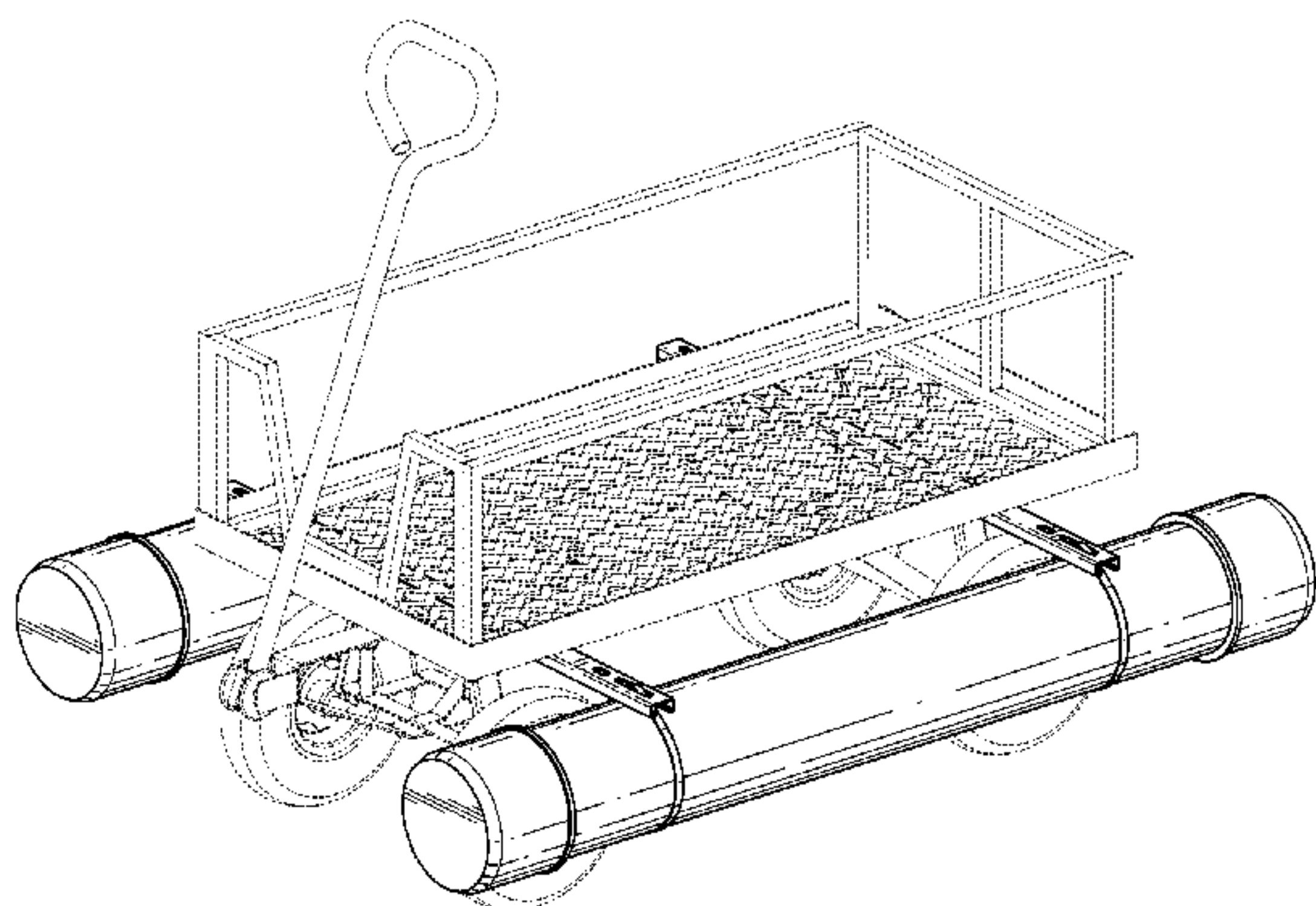
The ornamental design for a flotation system for a utility cart, as shown and described.

DESCRIPTION

FIG. 1 is a top perspective view for a flotation system for a utility cart showing my new design; FIG. 2 is a right side view thereof; FIG. 3 is a left side view thereof; FIG. 4 is a top side view thereof; FIG. 5 is a bottom side view thereof; FIG. 6 is a front side view thereof; FIG. 7 is a rear side view thereof; and, FIG. 8 is a top perspective view with the ornamental subject matter removed.

The broken lines in FIGS. 1-7 depict environmental subject matter of a utility cart for the invention and form no part of the claimed design.

1 Claim, 7 Drawing Sheets



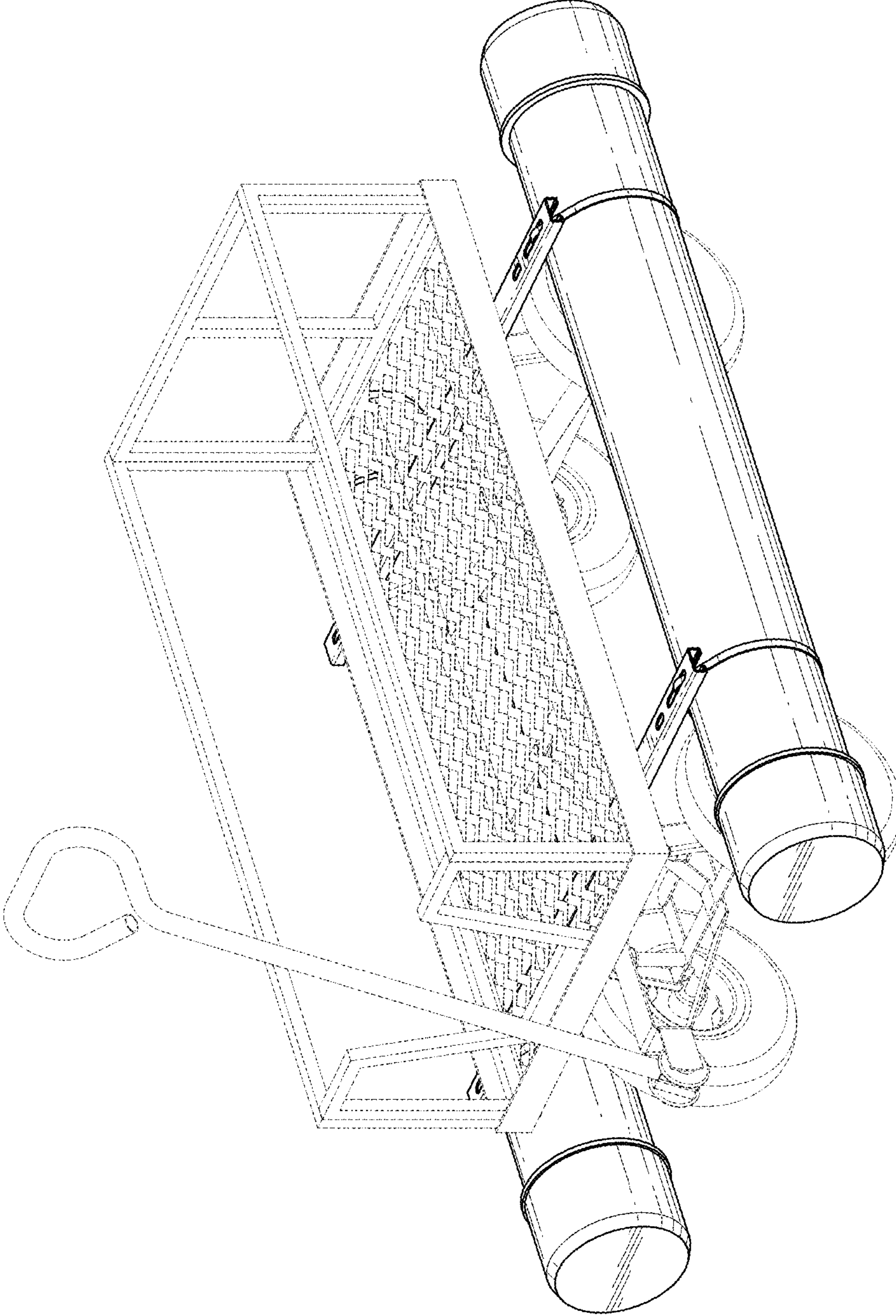


FIG. 1

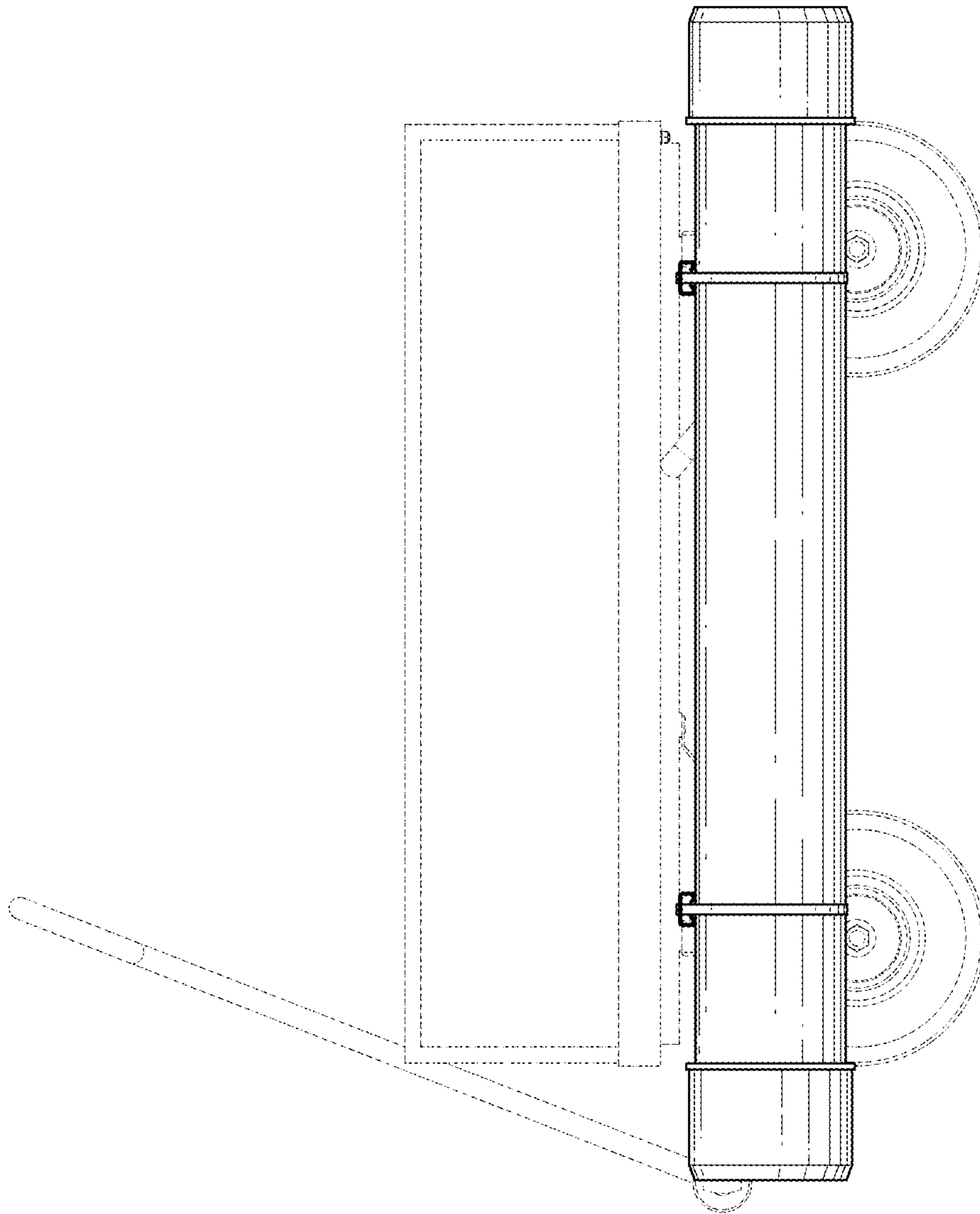


FIG. 2

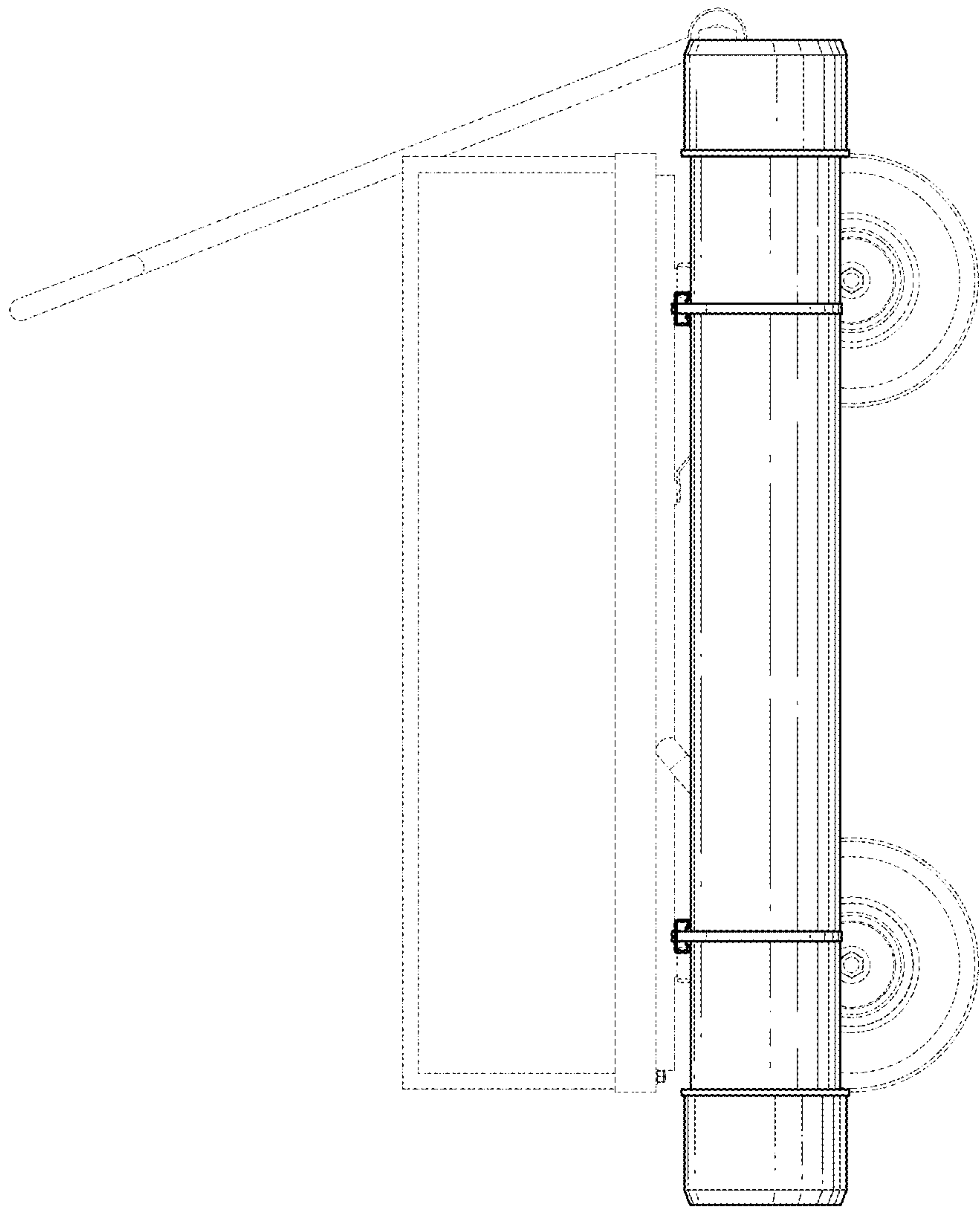


FIG. 3

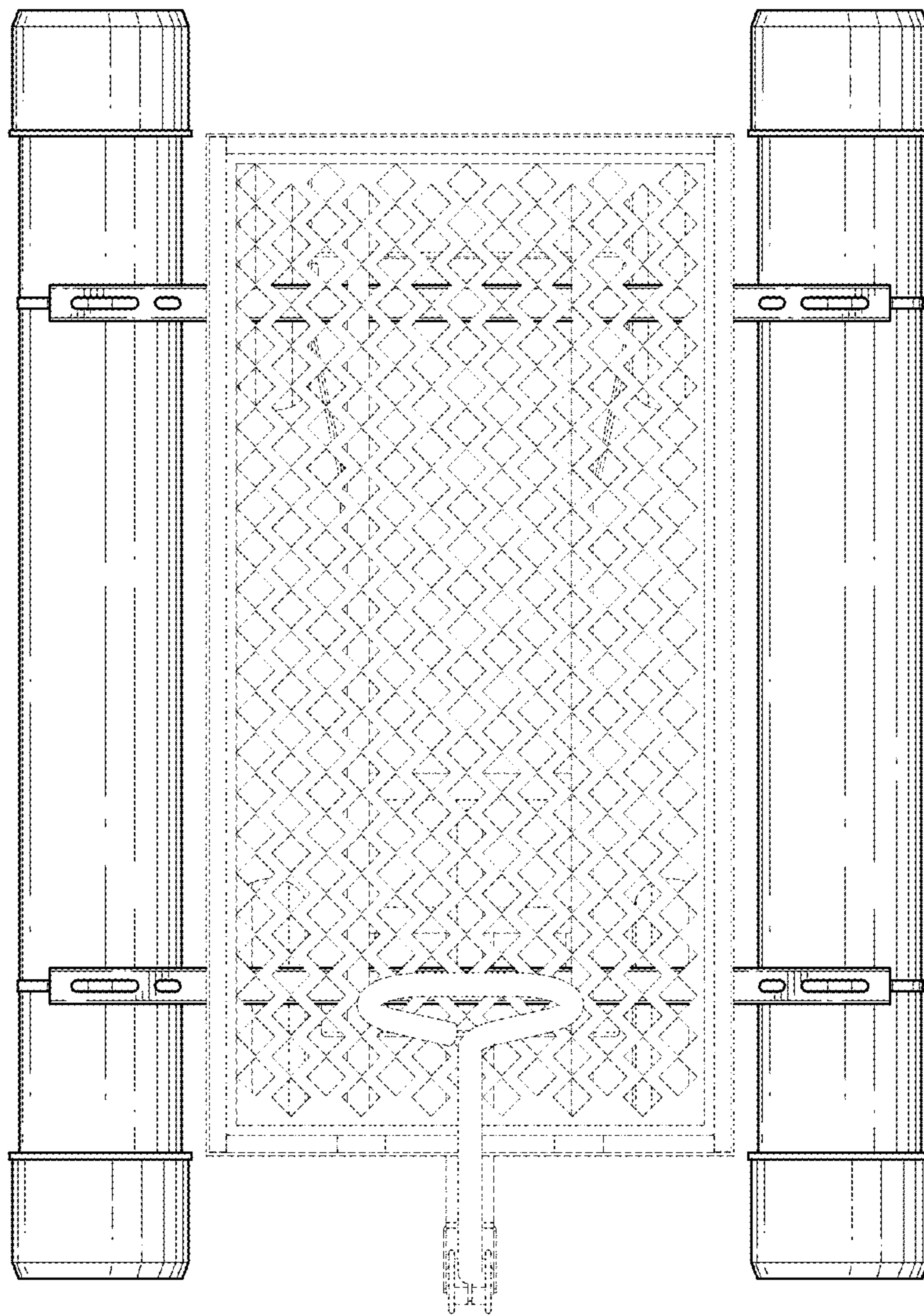


FIG. 4

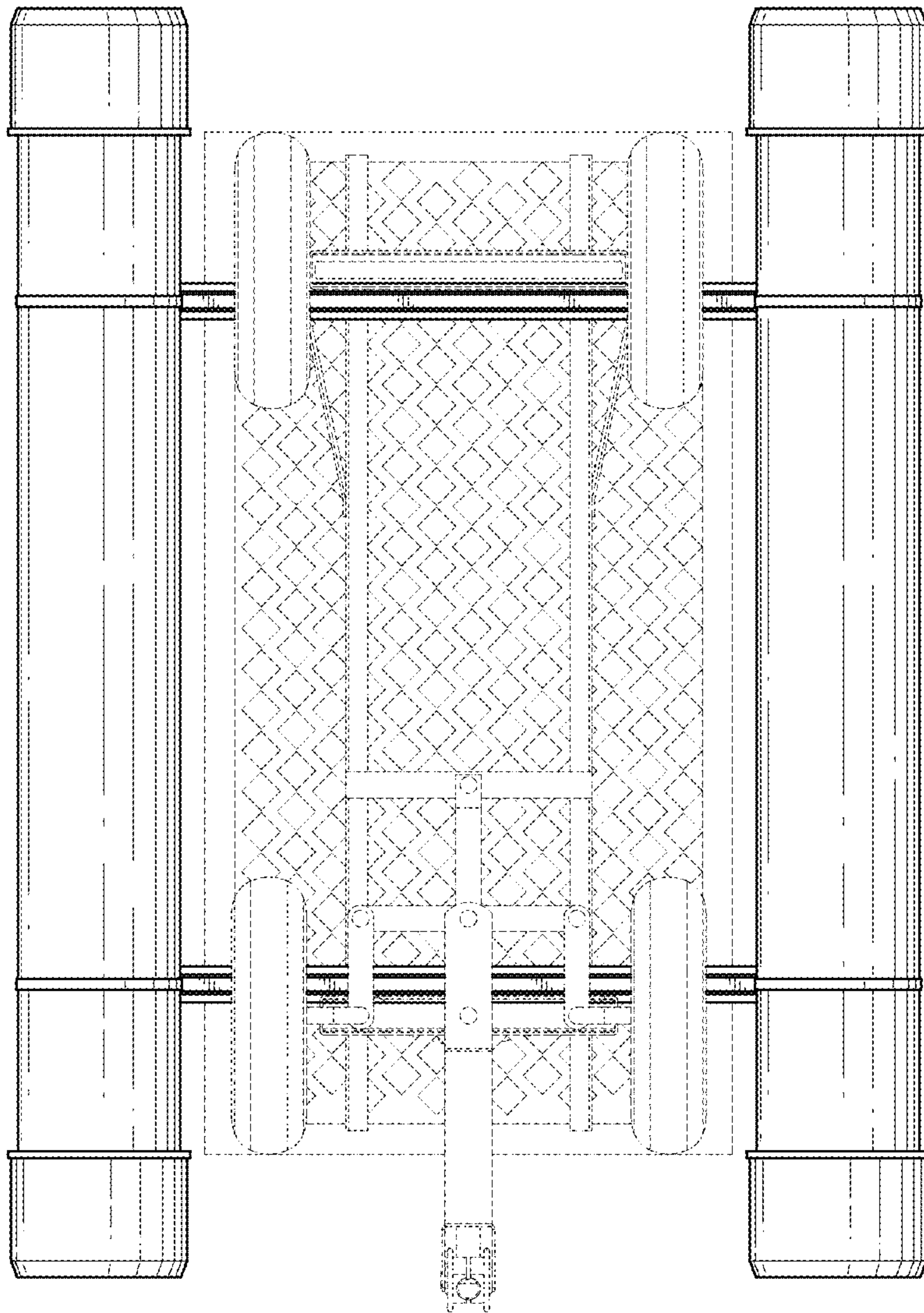


FIG. 5

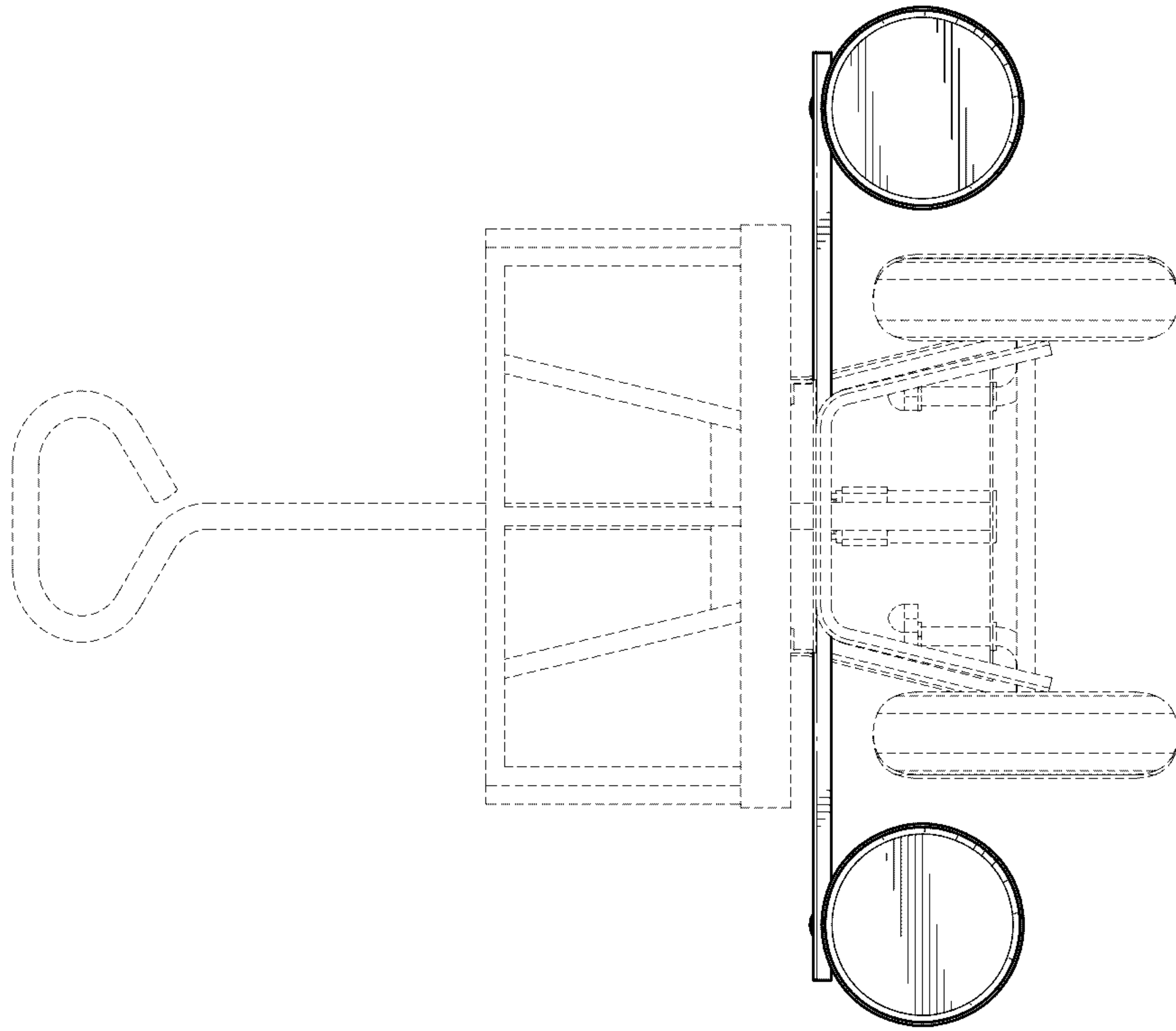


FIG. 7

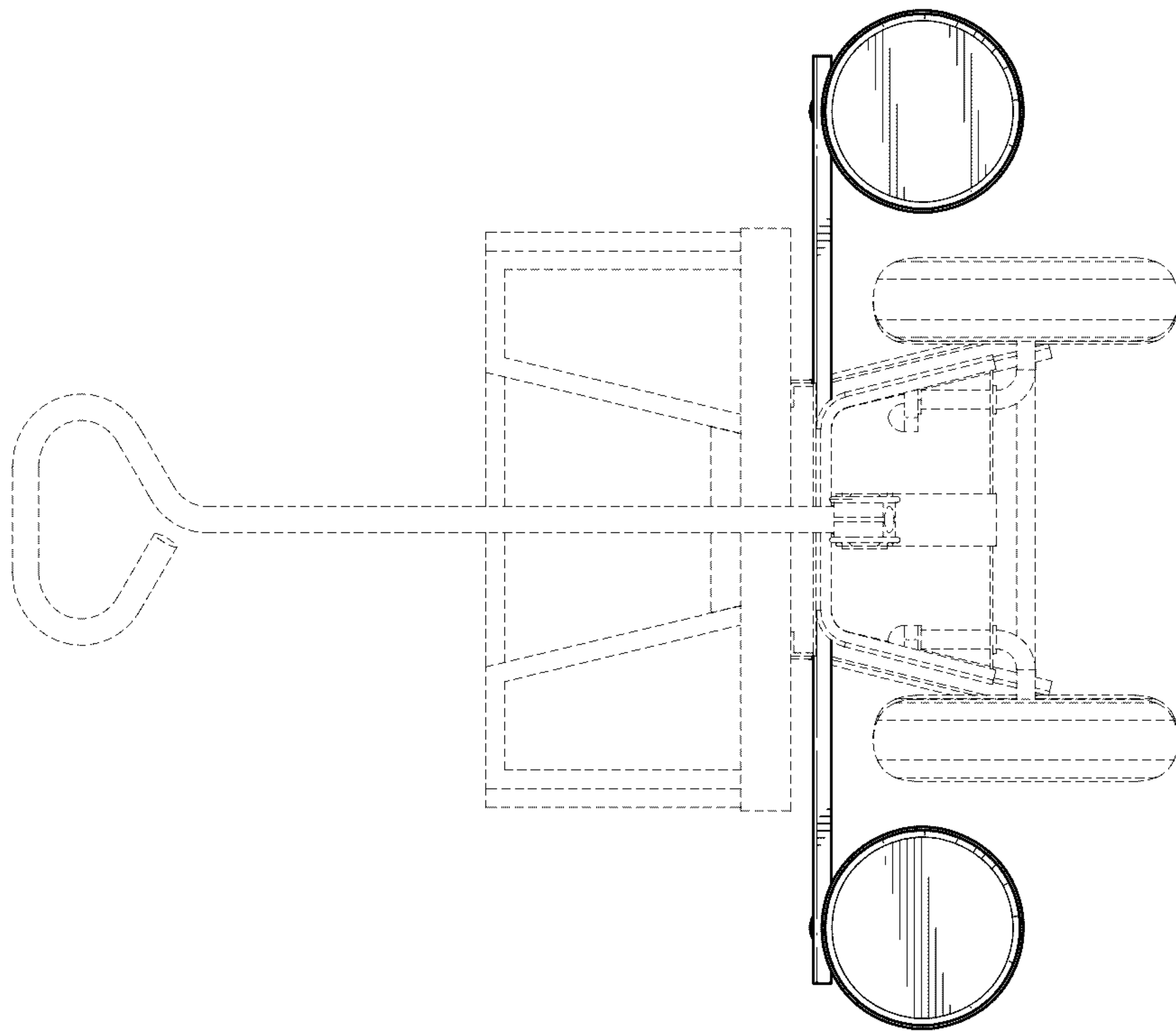


FIG. 6

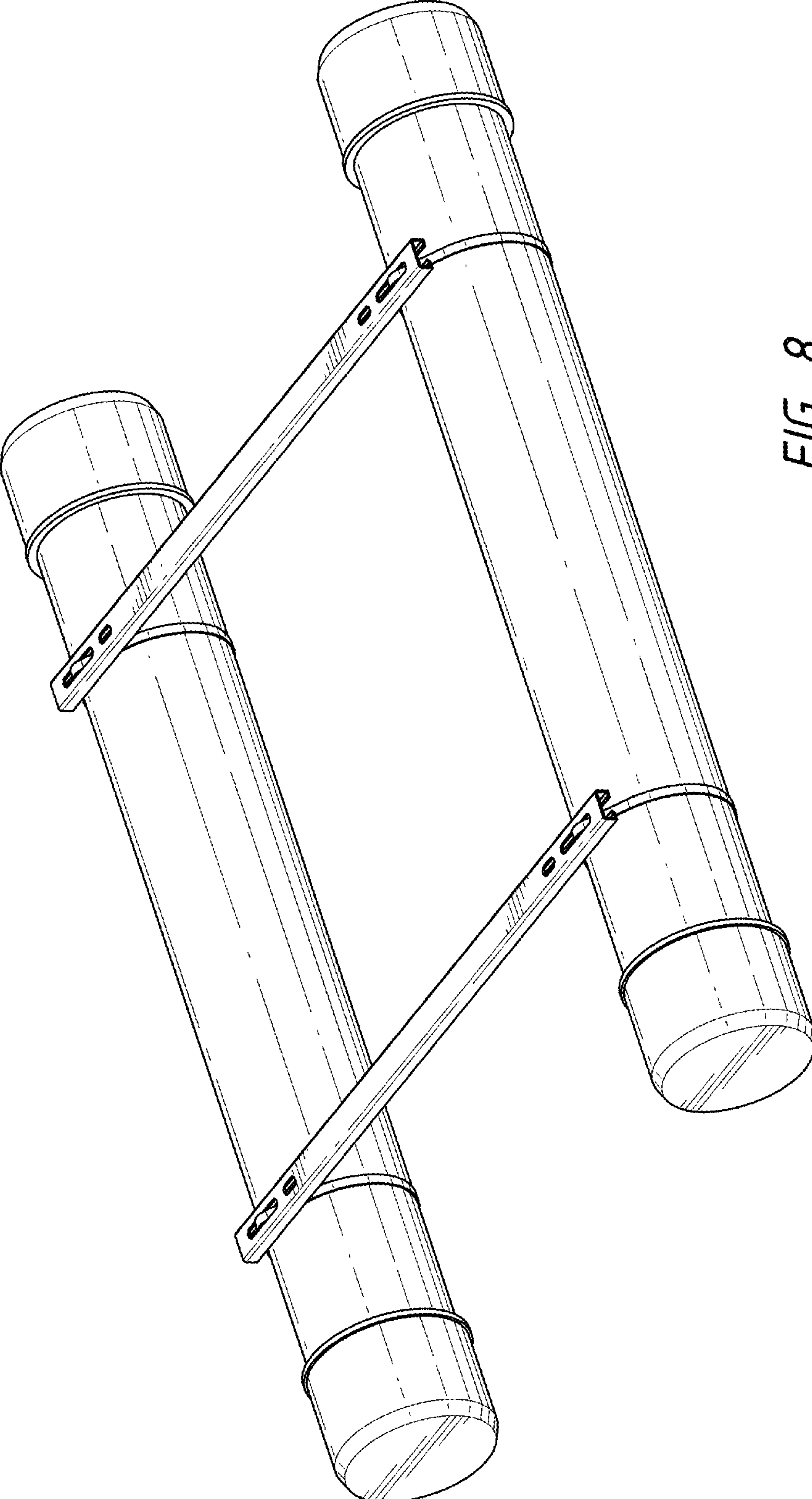


FIG. 8