



US00D770965S

(12) **United States Design Patent**
Deurr et al.

(10) **Patent No.:** **US D770,965 S**
(45) **Date of Patent:** **** Nov. 8, 2016**

- (54) **PONTOON BOAT**
- (71) Applicant: **PREMIER MARINE, INC.**, Wyoming, MN (US)
- (72) Inventors: **John Deurr**, Stacy, MN (US); **David Grovender**, North Branch, MN (US)
- (73) Assignee: **Premier Marine, Inc.**, Wyoming, MN (US)
- (**) Term: **15 Years**
- (21) Appl. No.: **29/534,673**
- (22) Filed: **Jul. 30, 2015**
- (51) **LOC (10) Cl.** **12-06**
- (52) **U.S. Cl.**
USPC **D12/300**
- (58) **Field of Classification Search**
USPC D12/300–318
CPC B63B 29/00; B63B 29/02; B63B 29/029;
B63B 29/14; B63B 29/145
See application file for complete search history.

7,040,248	B1 *	5/2006	Whitfield	B63B 29/06
					104/45
7,117,646	B2 *	10/2006	Blaisdell	B63B 17/00
					114/361
8,944,867	B2	2/2015	Grovender		
9,403,581	B2 *	8/2016	Kalil	B63B 29/02
2004/0266282	A1 *	12/2004	Hahn	B63B 29/02
					440/77
2009/0120341	A1	5/2009	Kalil		
2011/0197800	A1	8/2011	Kalil		
2015/0013585	A1	1/2015	Kalil		
2015/0232151	A1 *	8/2015	Fuller, IV	B63B 19/18
					114/117

* cited by examiner

Primary Examiner — Cynthia M Chin

(74) *Attorney, Agent, or Firm* — Winthrop & Weinstine, P.A.

(57) **CLAIM**

The ornamental design for a pontoon boat, as shown and described.

DESCRIPTION

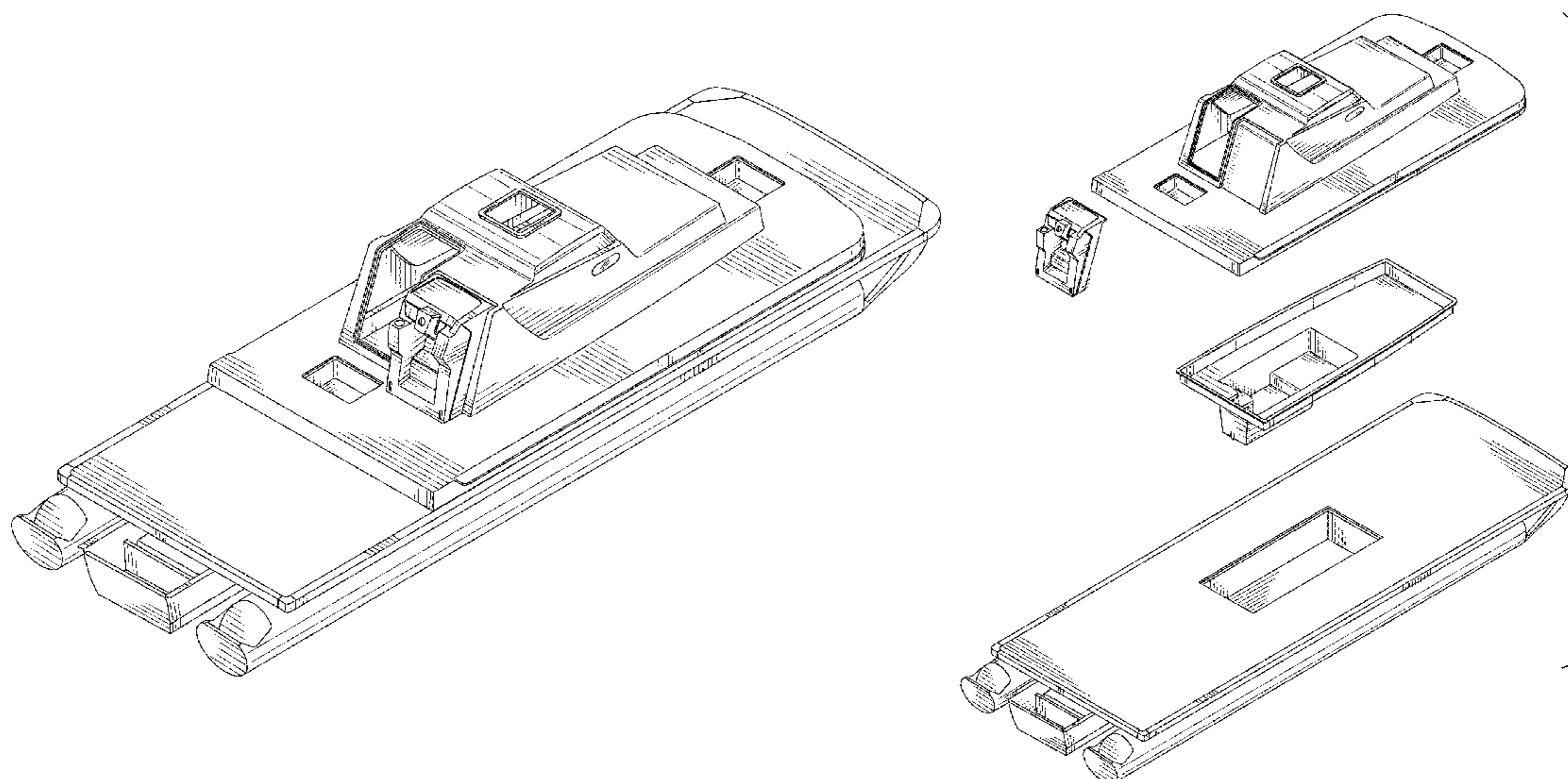
FIG. 1 is a perspective view of a pontoon boat, as viewed from a front corner;
 FIG. 2 is a perspective view of the pontoon boat of FIG. 1 as viewed from a rear corner;
 FIG. 3 is a partially disassembled perspective view of the pontoon boat of FIG. 1;
 FIG. 4 is a partially disassembled perspective view of the pontoon boat of FIG. 1 as viewed from underneath;
 FIG. 5 is a top view of the pontoon boat of FIG. 1;
 FIG. 6 is a bottom view of the pontoon boat of FIG. 1;
 FIG. 7 is a right side view of the pontoon boat of FIG. 1;
 FIG. 8 is a left side view of the pontoon boat of FIG. 1;
 FIG. 9 is a front view of the pontoon boat of FIG. 1; and,
 FIG. 10 is a rear view of the pontoon boat of FIG. 1.
 The broken lines of FIGS. 4 and 6 are provided for purposes of illustration and form no part of the claimed design of the present application.

(56) **References Cited**

U.S. PATENT DOCUMENTS

4,092,754	A	6/1978	Yost		
4,425,861	A *	1/1984	Raikamo	B63B 29/02
					114/202
4,685,411	A *	8/1987	Wick	B63B 29/02
					114/202
4,729,334	A *	3/1988	DeJean, Jr.	B63B 29/04
					114/255
5,029,348	A *	7/1991	Boren	B63B 29/14
					4/312
5,209,177	A	5/1993	Granie et al.		
D341,566	S *	11/1993	Brooks	D12/310
6,701,863	B2 *	3/2004	Kalhok	B63B 17/02
					114/343
D516,495	S	3/2006	Menne		
D520,441	S *	5/2006	Guvenc	D12/300

1 Claim, 8 Drawing Sheets



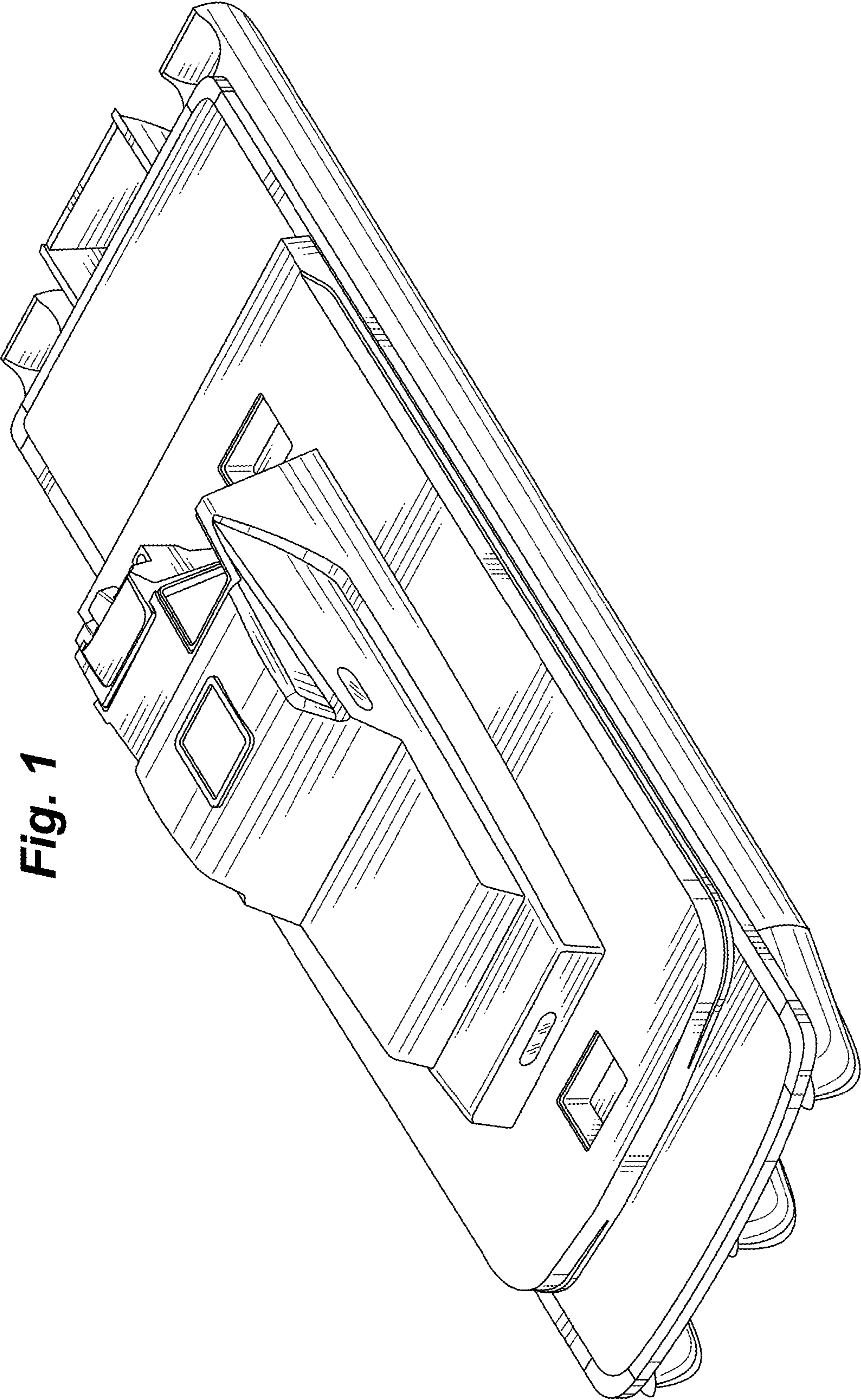


Fig. 1

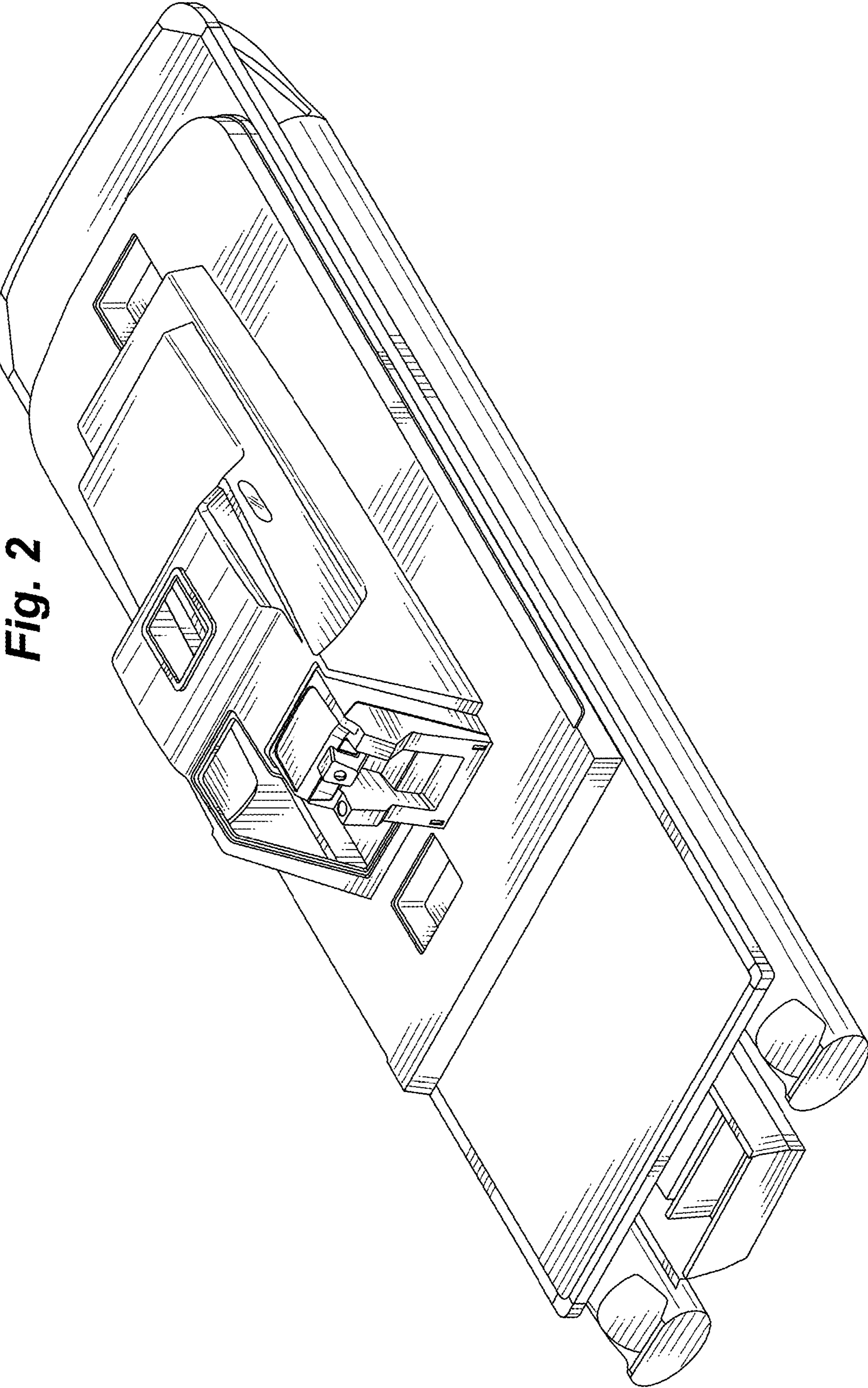


Fig. 2

Fig. 3

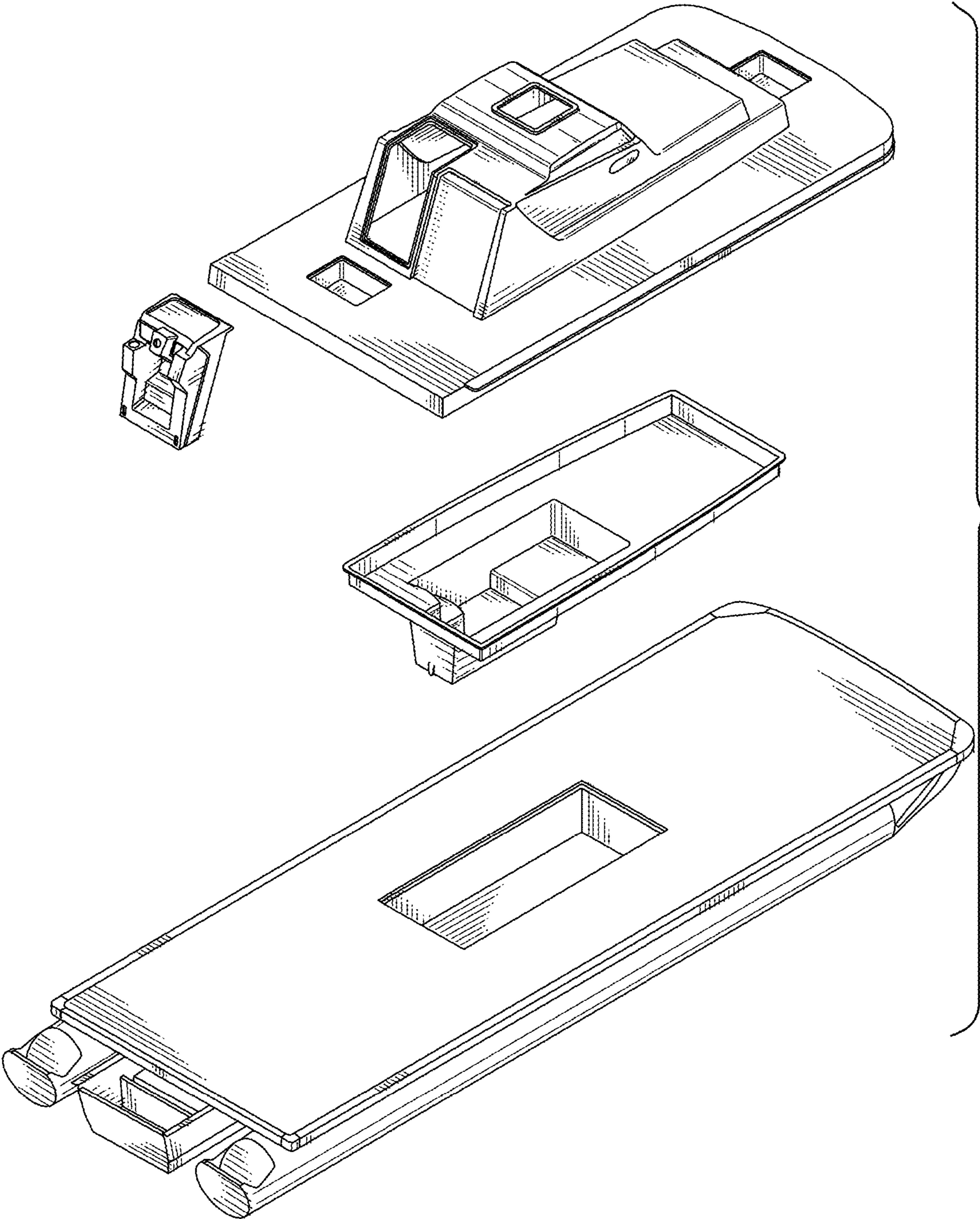


Fig. 4

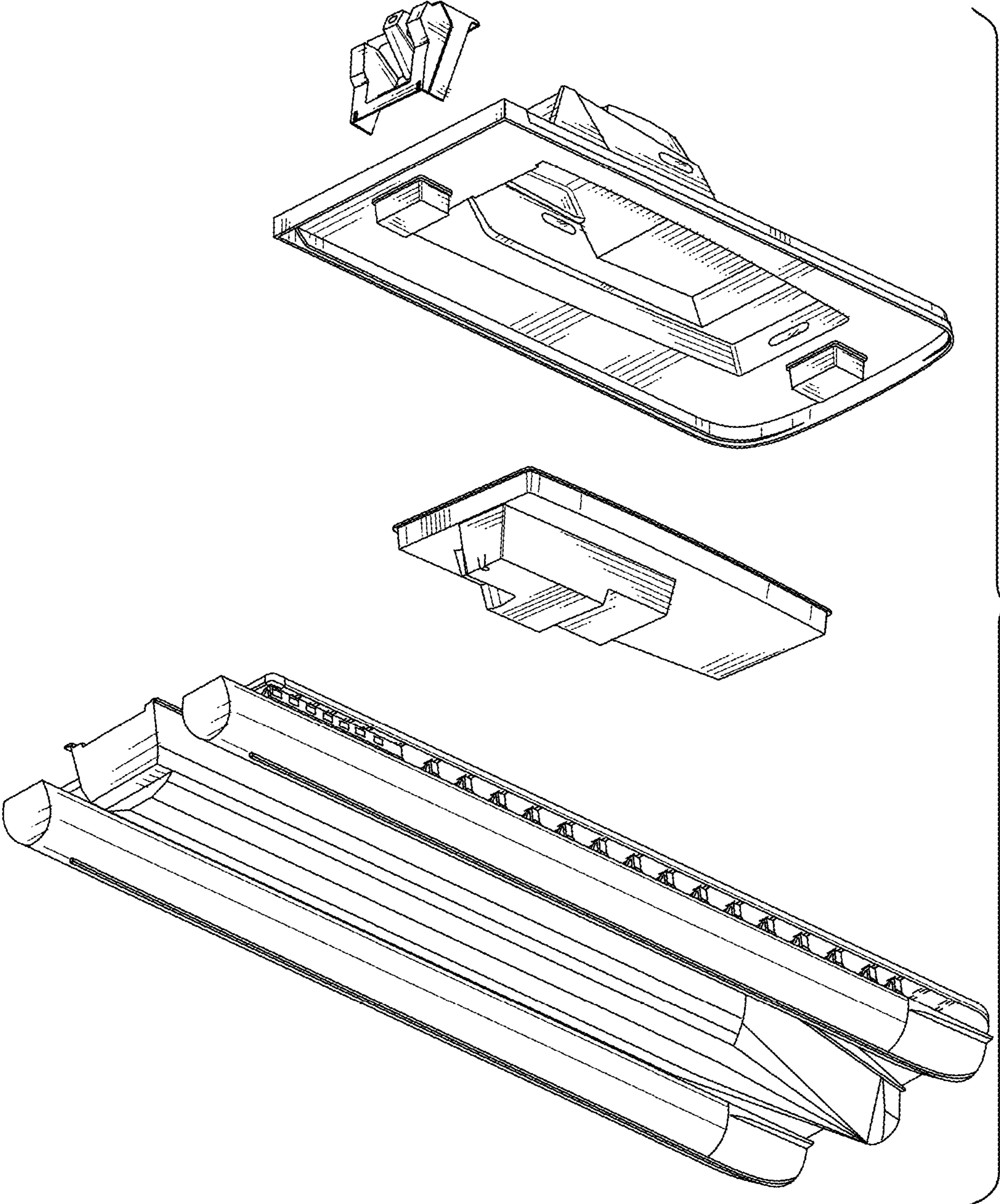


Fig. 5

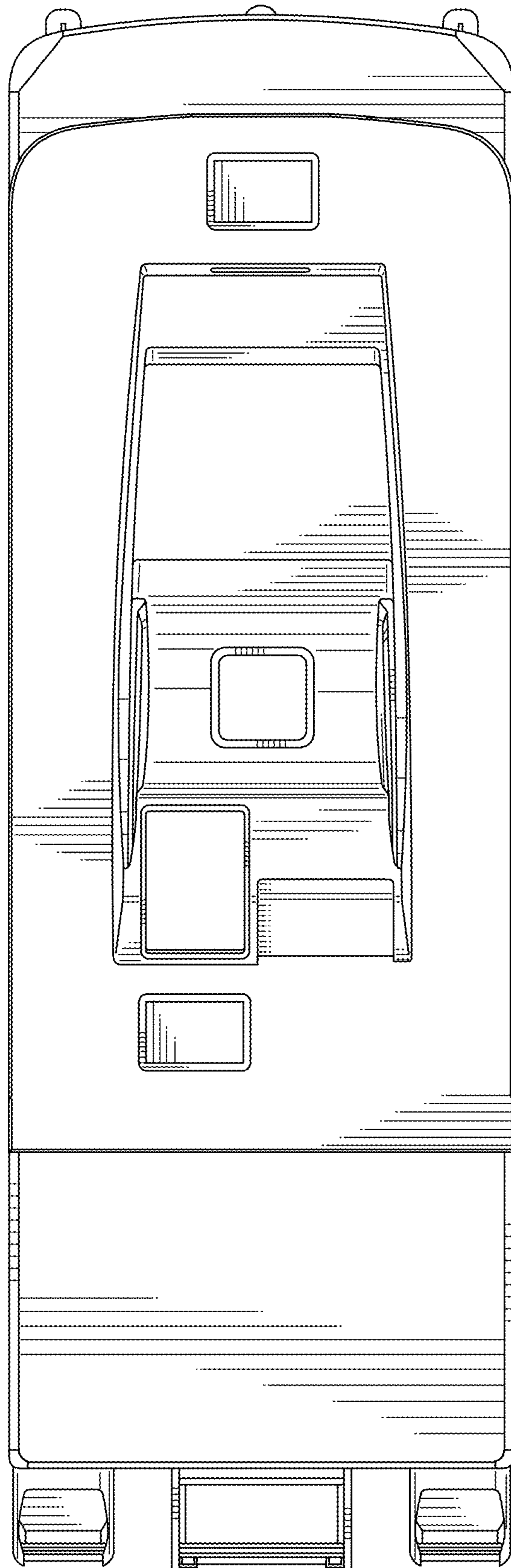


Fig. 6

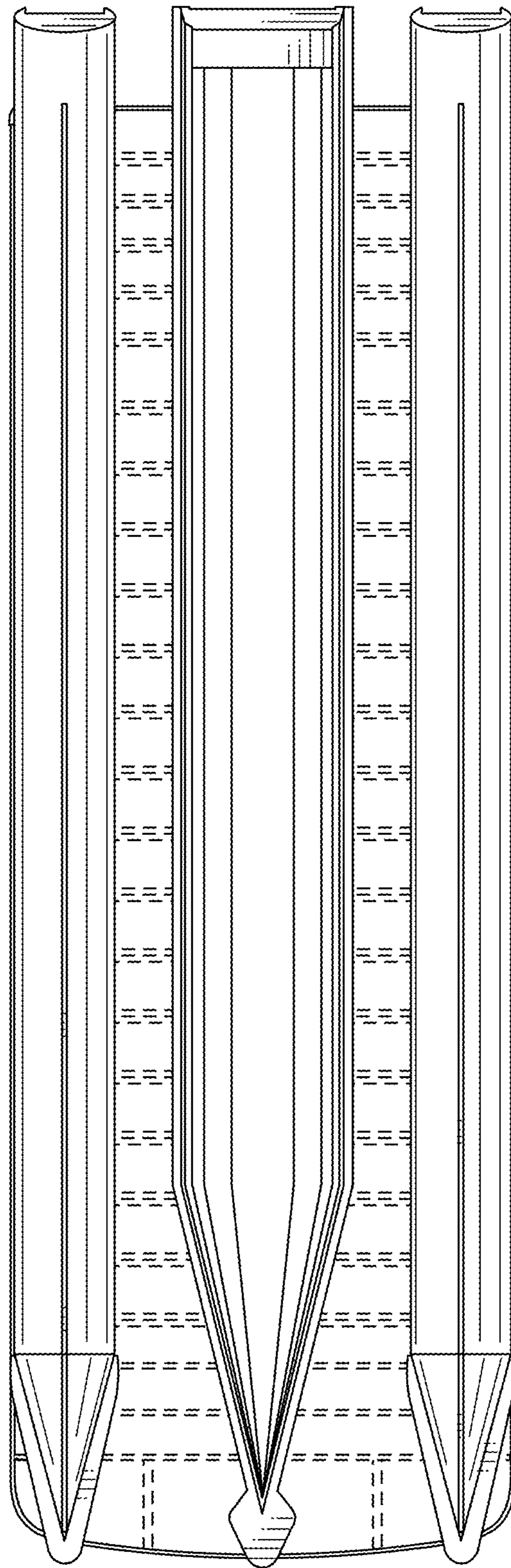


Fig. 7

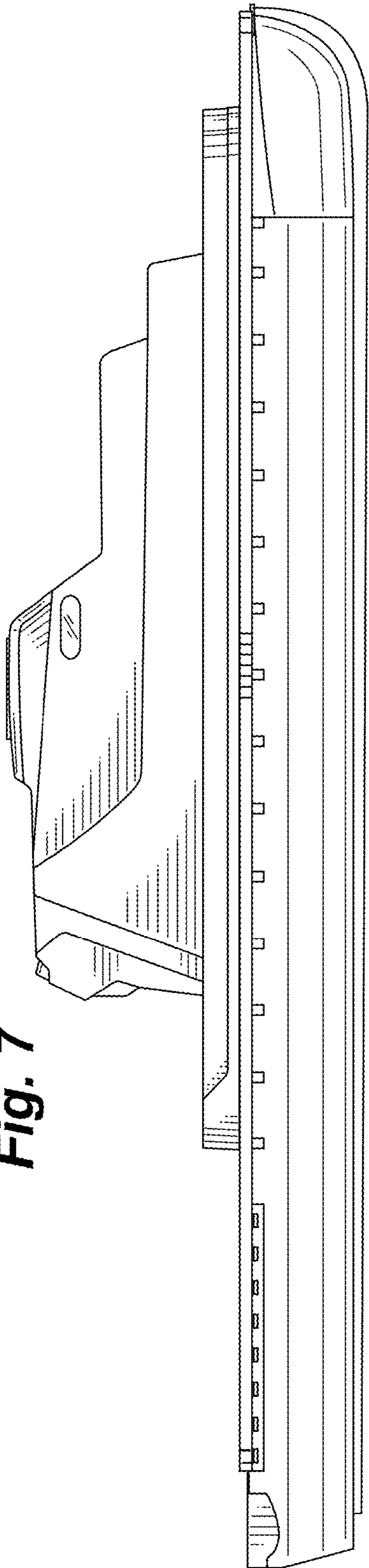


Fig. 8

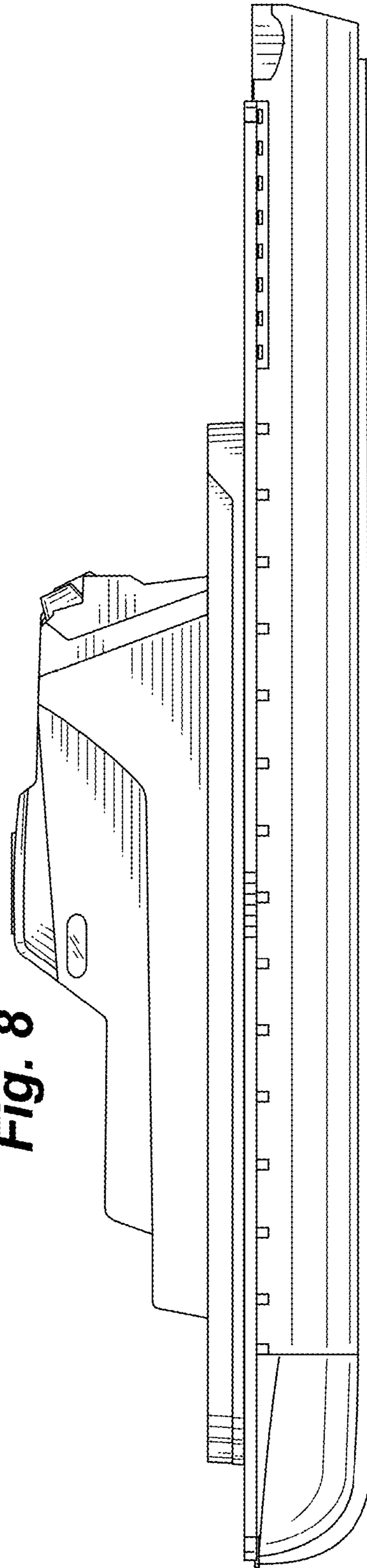


Fig. 9

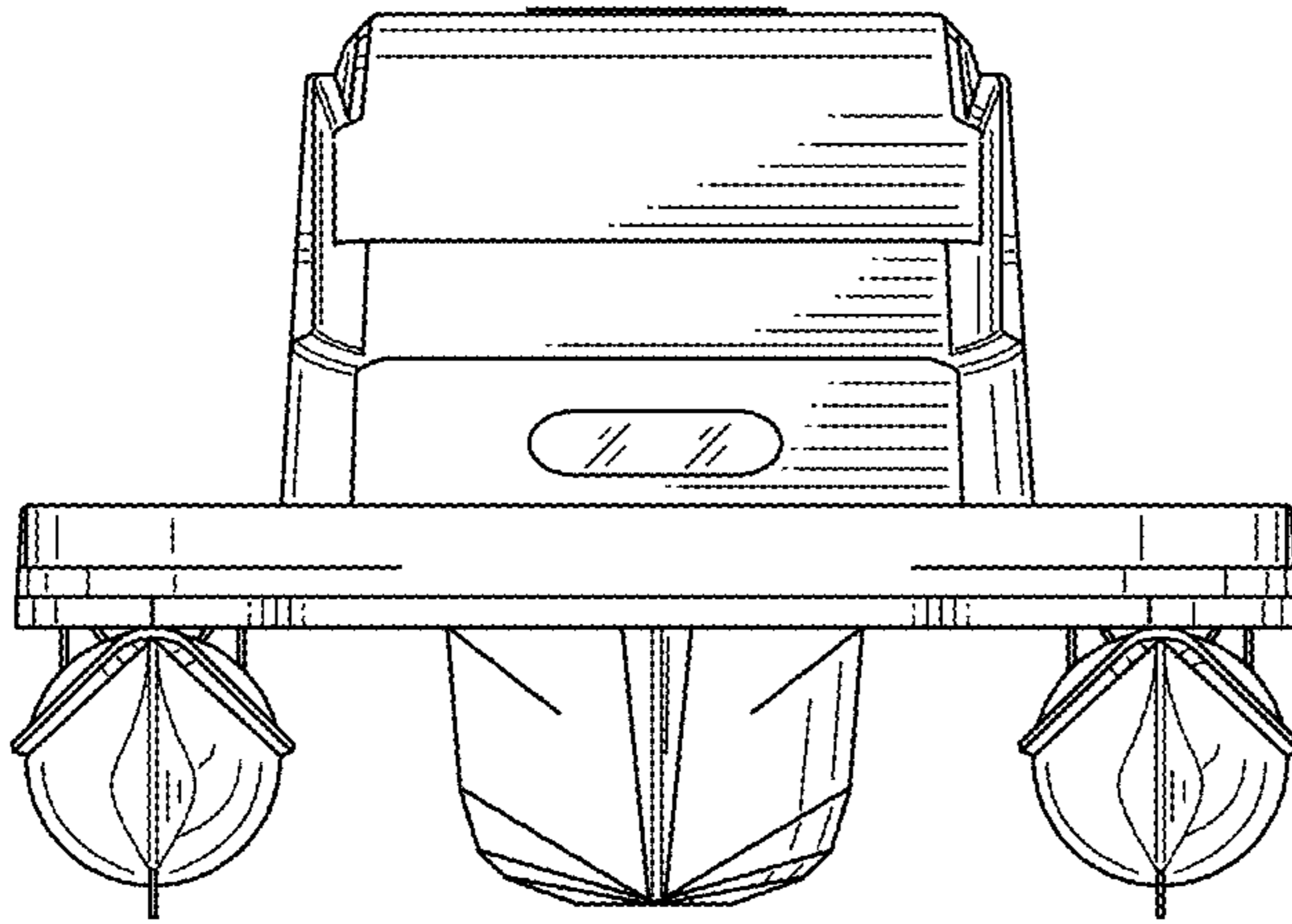


Fig. 10

