



US00D770960S

(12) **United States Design Patent** (10) **Patent No.:** **US D770,960 S**
Svensson et al. (45) **Date of Patent:** **** Nov. 8, 2016**

(54) **VEHICLE WHEEL**

(71) Applicant: **Ford Global Technologies, LLC**,
Dearborn, MI (US)
(72) Inventors: **Christopher Svensson**, Chelmsford
(GB); **Craig S. Metros**, Bloomfield, MI
(US); **Darrell Paul Behmer**, Novi, MI
(US); **Eric Stoddard**, Birmingham, MI
(US)
(73) Assignee: **Ford Global Technologies, LLC**,
Dearborn, MI (US)

D642,967 S * 8/2011 Lamm D12/209
D660,217 S * 5/2012 Nissl D12/209
D660,765 S 5/2012 Gotschke et al.
D660,766 S 5/2012 Gotschke et al.
D660,772 S 5/2012 Gotschke et al.
D668,197 S 10/2012 Gotschke et al.
D671,473 S * 11/2012 Zurian D12/209
D680,488 S * 4/2013 Campbell D12/211
D686,130 S * 7/2013 Elmitt D12/209
D686,131 S * 7/2013 Nissl D12/209
D688,181 S 8/2013 Gotschke et al.
D688,182 S 8/2013 Gotschke et al.
D688,183 S 8/2013 Gotschke et al.
D729,719 S * 5/2015 Muntada Roura D12/209
D734,705 S * 7/2015 Chung D12/211

(**) Term: **15 Years**

(21) Appl. No.: **29/549,498**

(22) Filed: **Dec. 22, 2015**

(51) **LOC (10) Cl.** **12-16**

(52) **U.S. Cl.**
USPC **D12/211**

(58) **Field of Classification Search**
USPC D12/204–213
CPC B60B 7/00; B60B 7/02; B60B 7/04;
B60B 7/01; B60B 7/06; B60B 3/02; B60B
3/04; B60B 3/06; B60B 3/10; B60B 1/00;
B60B 1/08; B60B 1/10; B60B 1/12
See application file for complete search history.

(56) **References Cited**

U.S. PATENT DOCUMENTS

D466,849 S * 12/2002 Lee D12/209
D515,999 S * 2/2006 Noriega D12/209
D579,397 S * 10/2008 Osborne D12/211
D584,672 S * 1/2009 Osborne D12/209
D614,106 S * 4/2010 Junker D12/209
D621,767 S * 8/2010 Ectors D12/209
D627,700 S * 11/2010 Ectors D12/209
D630,147 S * 1/2011 Sands D12/211

OTHER PUBLICATIONS

Josh Sadlier, 2017 Ford Fusion Teased in New Photos, <http://www.autotrader.com/car-news/2017-ford-fusion-teased-in-new-photos-238624> Apr. 2015.
Ciprian Florea, 2017 Ford Fusion St, <http://www.topspeed.com/cars/ford/2017-ford-fusion-st-ar171128.html> Sep. 6, 2015.
Michael Gauthier, 2017 Ford Fusion Facelift Spied in Michigan, <http://www.motor1.com/spy/59710/2017-ford-fusion-facelift-spied-in-michigan> Nov. 19, 2015.

* cited by examiner

Primary Examiner — Stacia Cadmus

(74) *Attorney, Agent, or Firm* — Damian Porcari

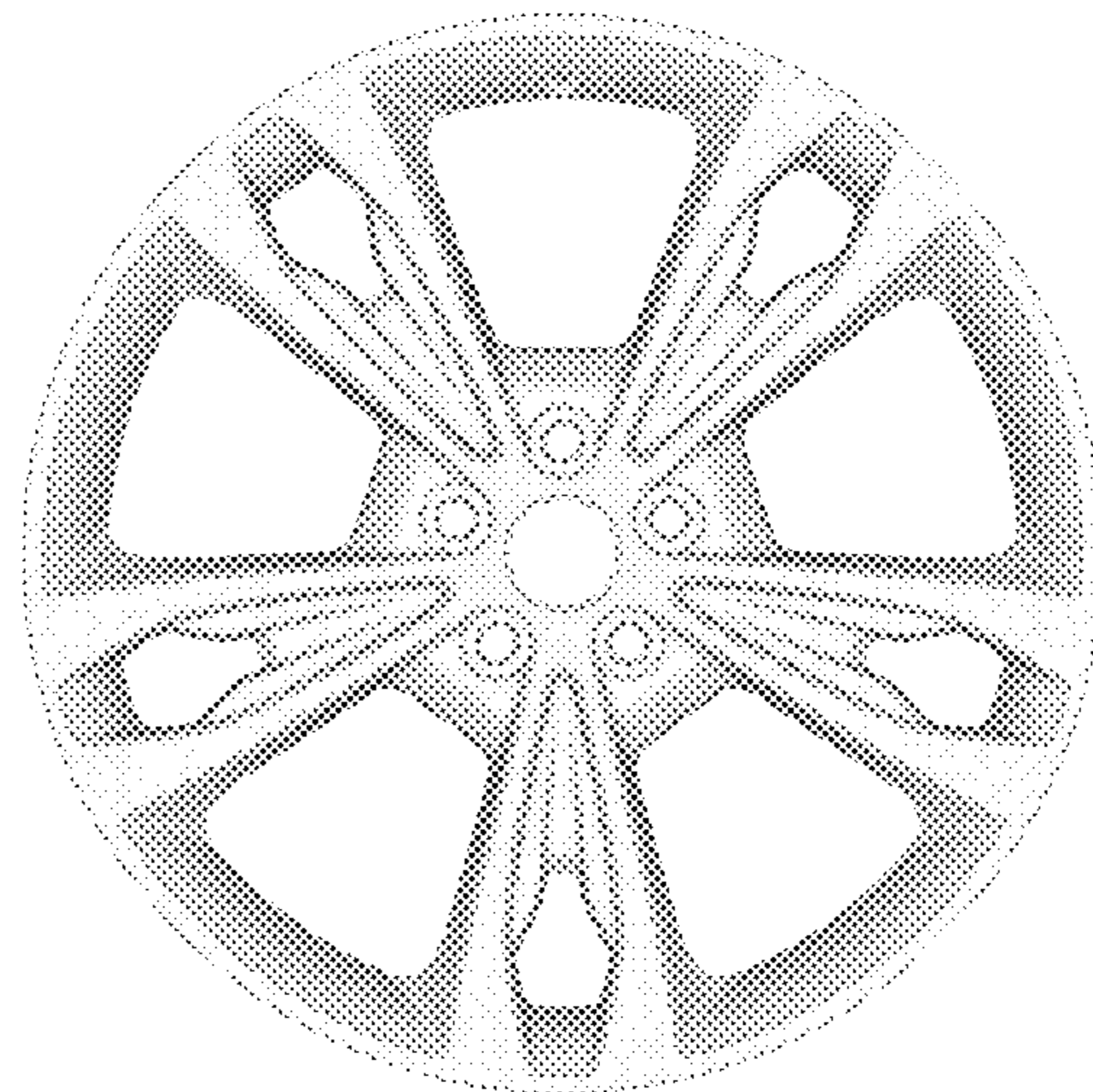
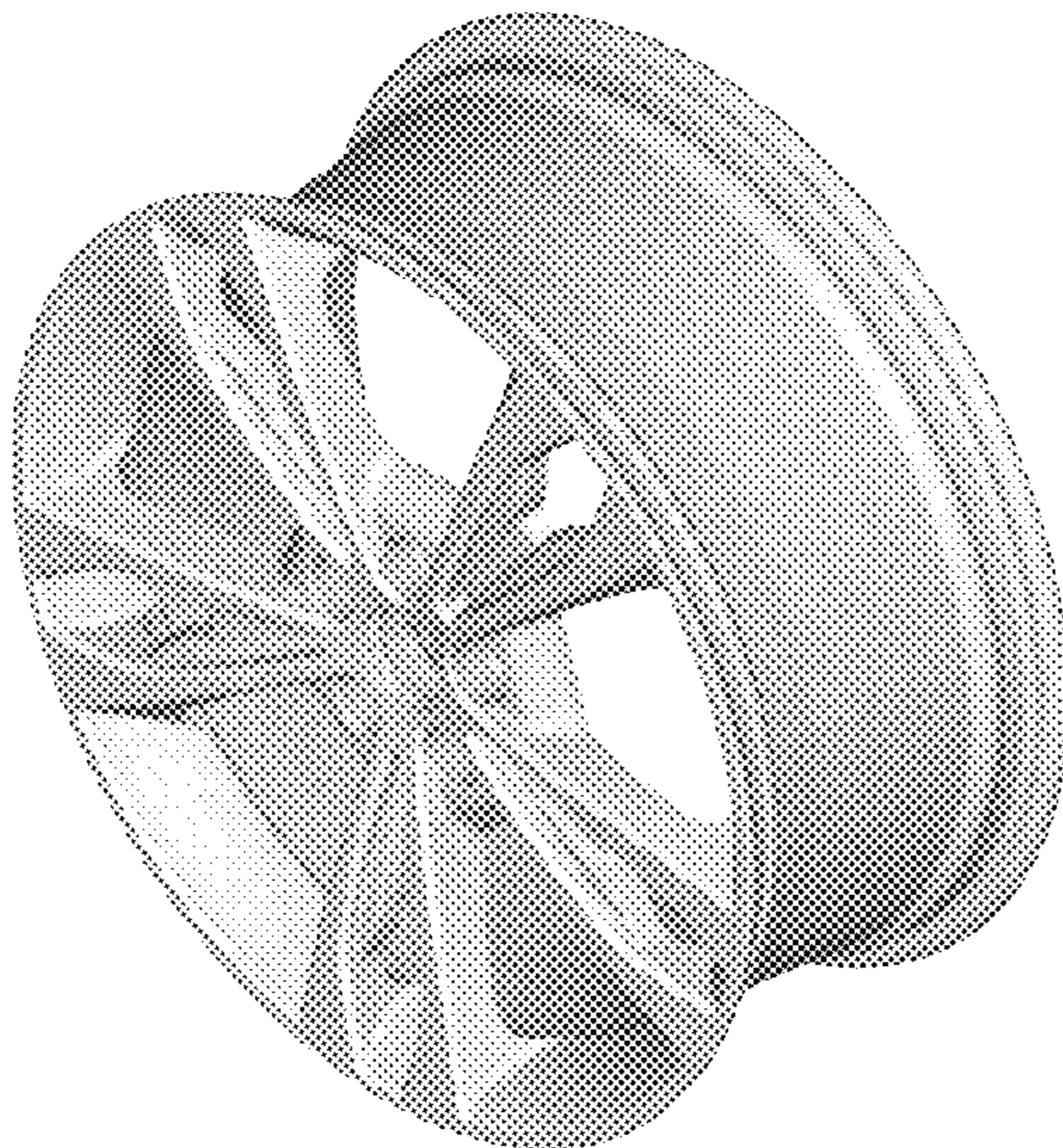
(57) **CLAIM**

The ornamental design for a vehicle wheel, as shown and described.

DESCRIPTION

FIG. 1 is a top perspective view of a vehicle wheel, showing our new design; and,
FIG. 2 is a front elevational view thereof.

1 Claim, 2 Drawing Sheets



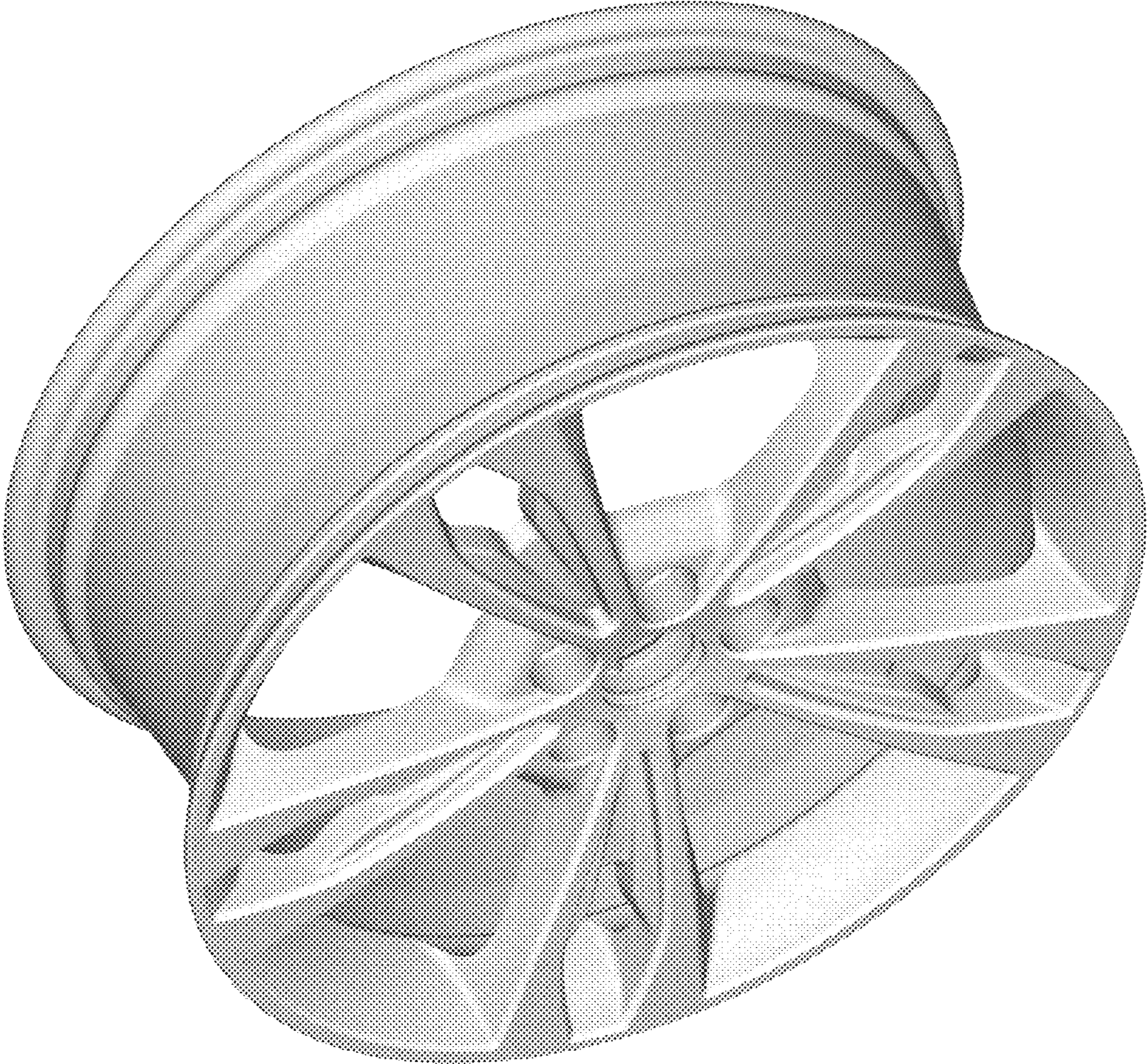


Figure 1

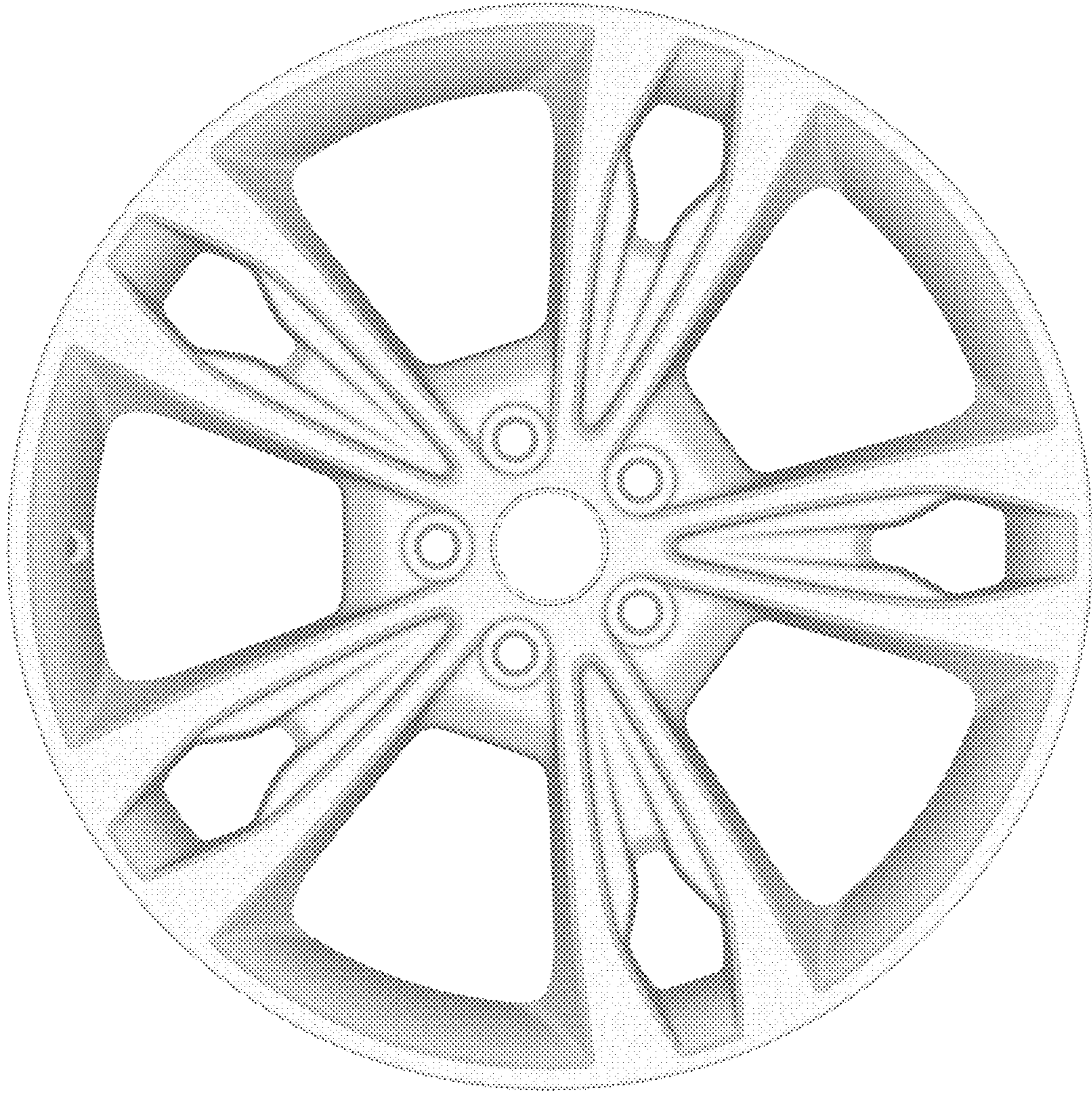


Figure 2