



US00D770957S

(12) **United States Design Patent** (10) **Patent No.:** **US D770,957 S**
Chung (45) **Date of Patent:** **** Nov. 8, 2016**

(54) **VEHICLE WHEEL**
(71) Applicant: **Wheel Pros, LLC**, Greenwood Village, CO (US)
(72) Inventor: **Suny Chung**, Anaheim, CA (US)
(73) Assignee: **Wheel Pros, LLC**
(**) Term: **14 Years**

(21) Appl. No.: **29/504,354**
(22) Filed: **Oct. 5, 2014**
(51) **LOC (10) Cl.** **12-16**
(52) **U.S. Cl.**
USPC **D12/211**
(58) **Field of Classification Search**
USPC D12/204-213; 301/37.101, 64.101, 65
See application file for complete search history.

(56) **References Cited**
U.S. PATENT DOCUMENTS
D506,717 S * 6/2005 Gallert D12/209
D522,434 S * 6/2006 Langer D12/209

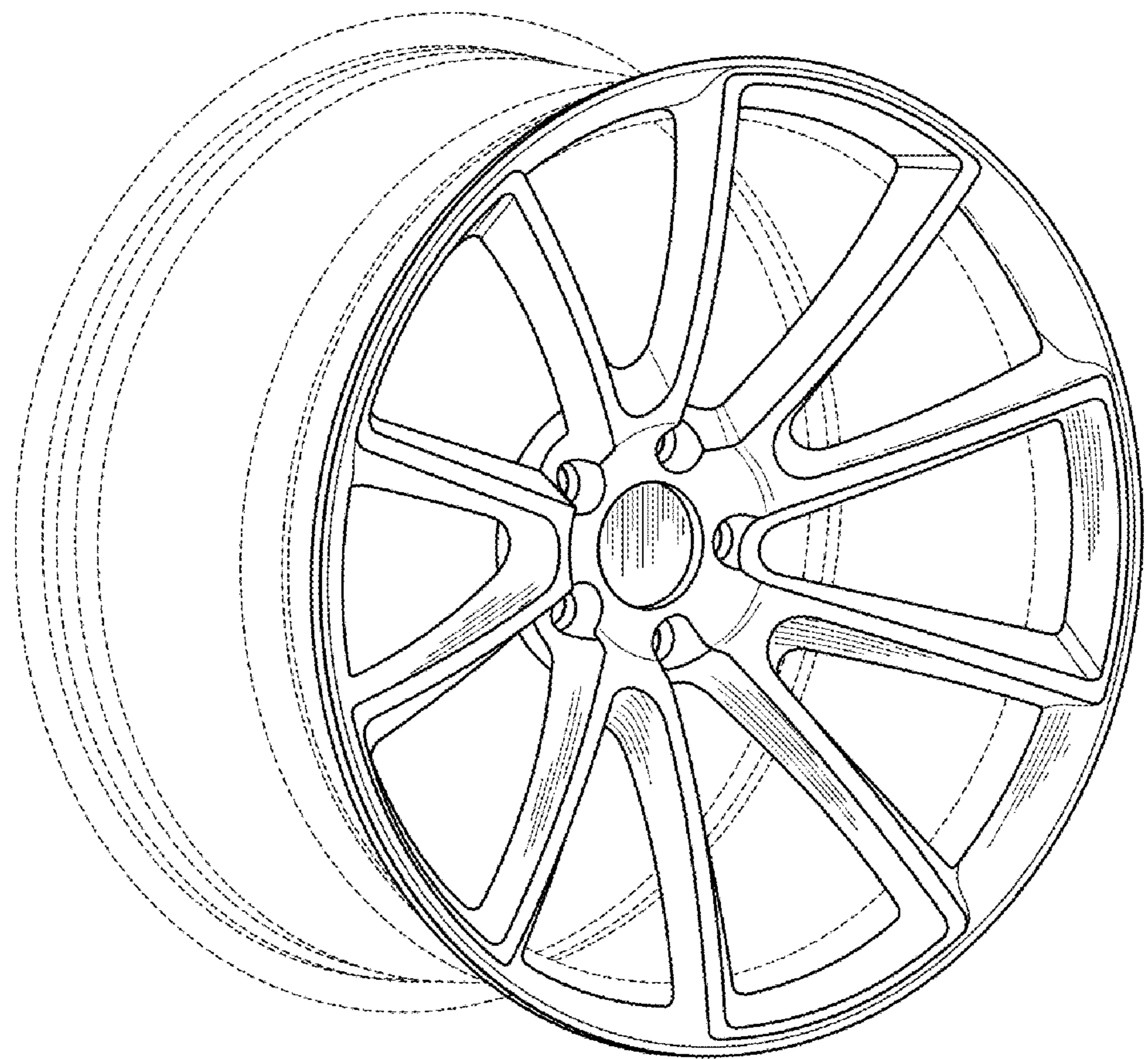
D645,390 S * 9/2011 De Bono D12/209
D663,668 S * 7/2012 Pollmann D12/209
D673,100 S * 12/2012 Mueller-Stolz D12/211
D695,187 S * 12/2013 Mielke D12/209
D705,151 S * 5/2014 Scheinhutte D12/209
D710,780 S * 8/2014 Borkert D12/211
D718,206 S * 11/2014 Song D12/211
D726,626 S * 4/2015 Mays D12/211
D727,235 S * 4/2015 Hans D12/211

* cited by examiner
Primary Examiner — Ian Simmons
Assistant Examiner — Samantha Q Lawrence
(74) *Attorney, Agent, or Firm* — KC Bean, Esq.

(57) **CLAIM**
The ornamental design of vehicle wheel, as shown and described.

DESCRIPTION
FIG. 1 is a front angled view of a vehicle wheel showing the new design;
FIG. 2 is a front profile view thereof; and,
FIG. 3 is a rear view thereof.
The broken lines shown in FIGS. 1-3 illustrate portions of the vehicle wheel that form no part of the claimed design.

1 Claim, 2 Drawing Sheets



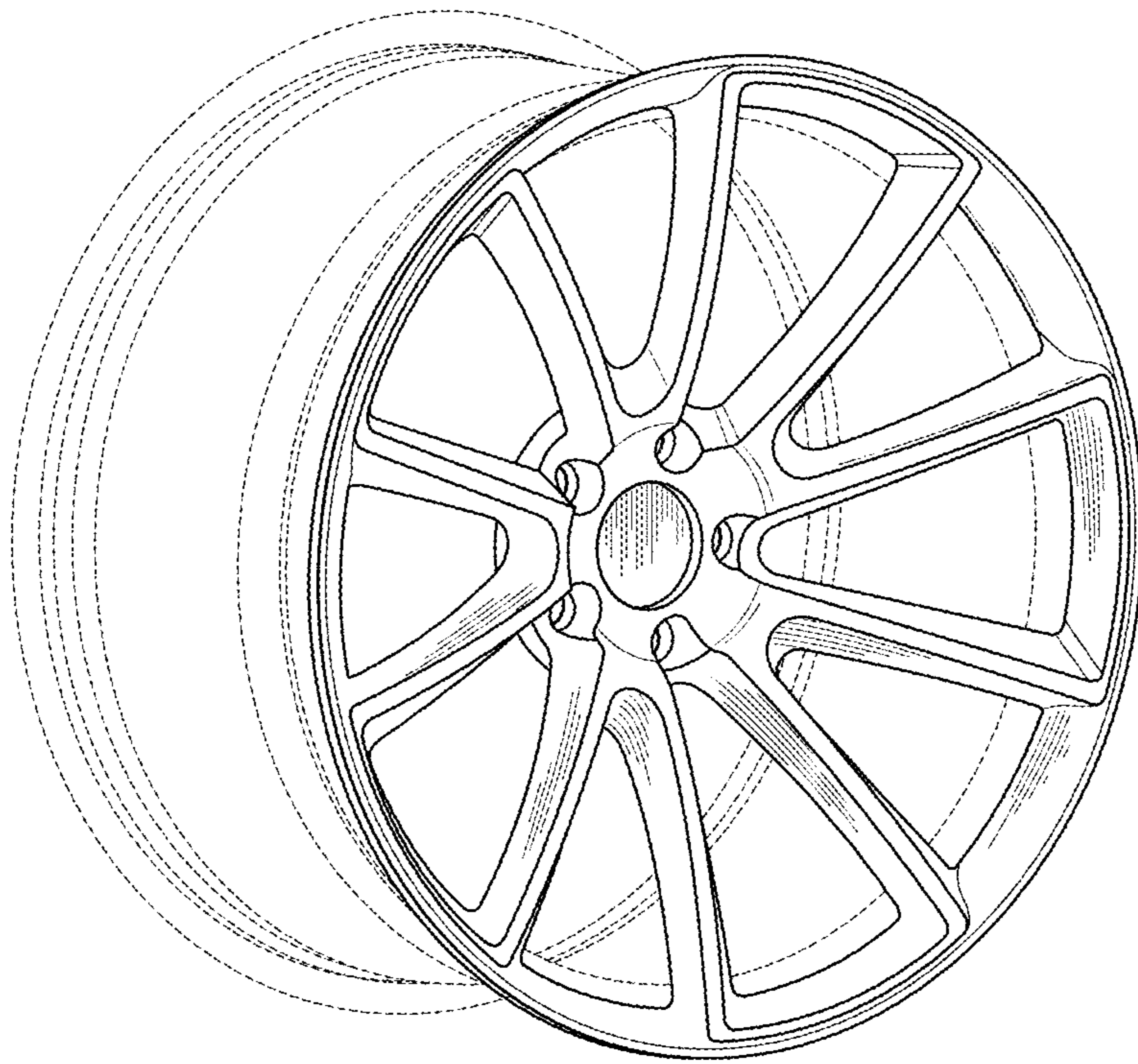


FIG. 1

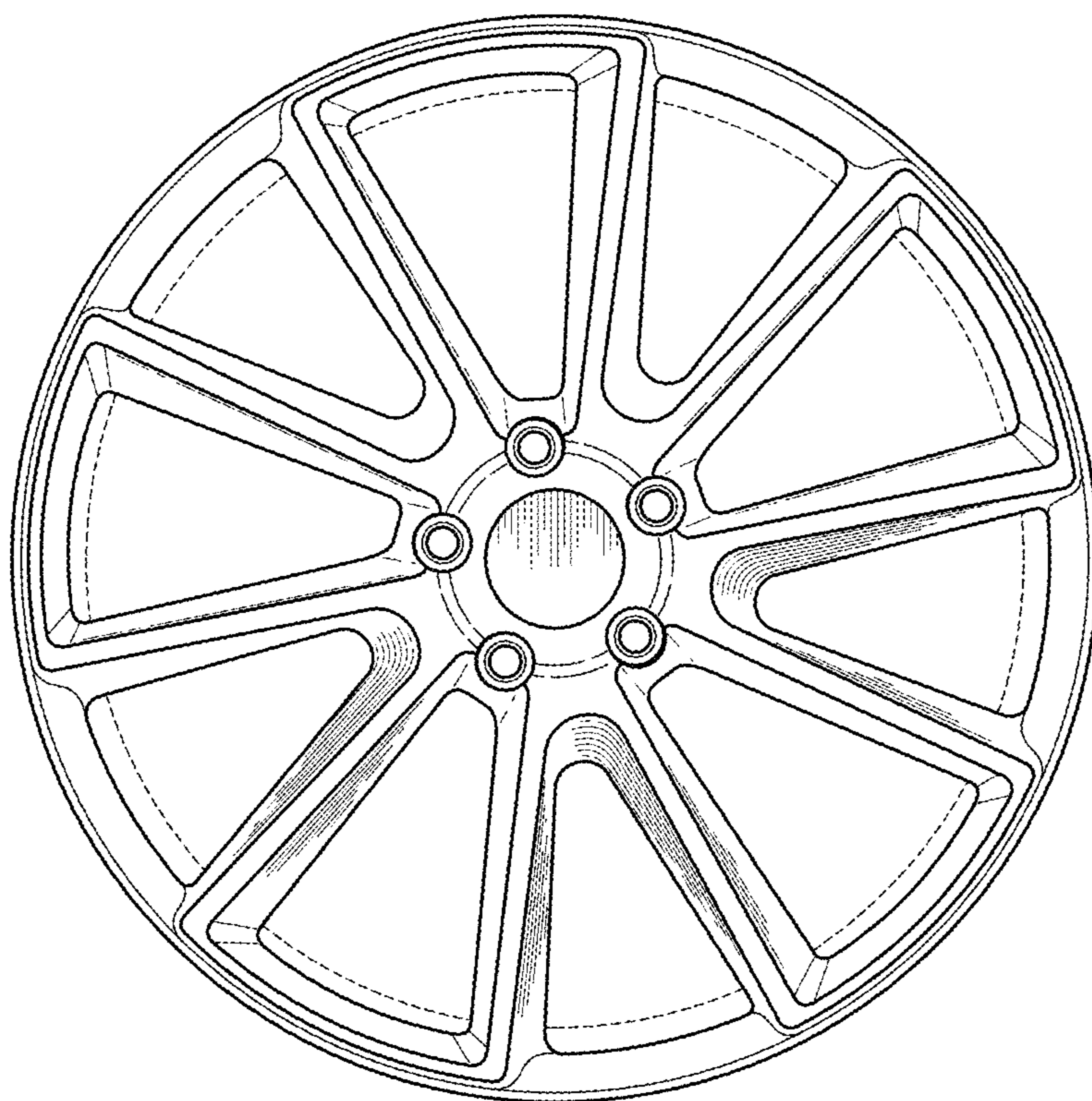


FIG. 2

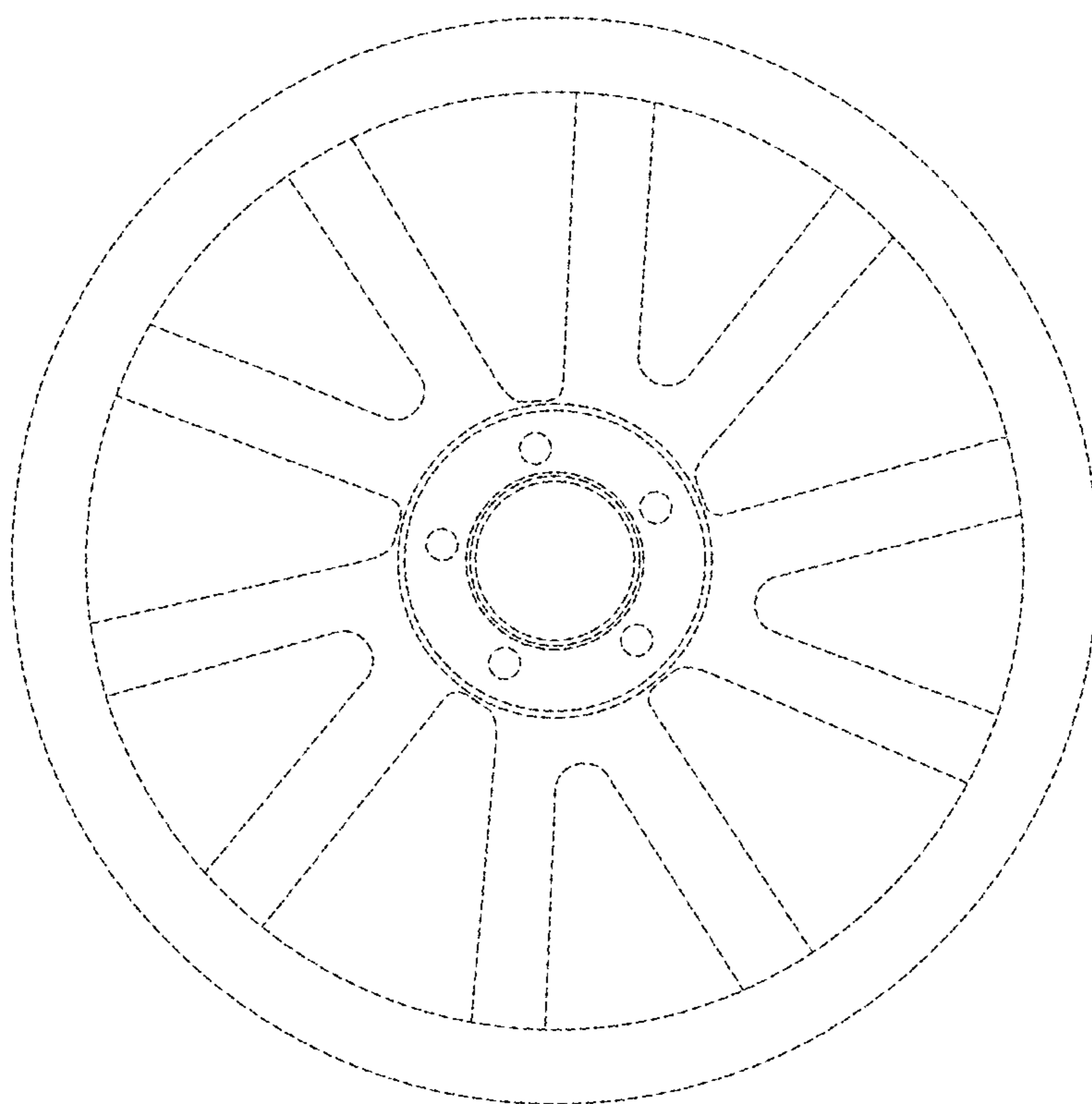


FIG. 3