



US00D770956S

(12) **United States Design Patent** (10) **Patent No.:** **US D770,956 S**
Yang (45) **Date of Patent:** **** Nov. 8, 2016**

(54) **SURFACE PATTERN FOR A VEHICLE MAT**

(71) Applicant: **FORMOSA SAINT JOSE CORP.**,
Taipei (TW)

(72) Inventor: **Ming-Shun Yang**, Taipei (TW)

(73) Assignee: **FORMOSA SAINT JOSE CORP.**,
Taipei (TW)

(**) Term: **15 Years**

(21) Appl. No.: **29/527,011**

(22) Filed: **May 14, 2015**

(51) **LOC (10) Cl.** **12-16**

(52) **U.S. Cl.**
USPC **D12/203**

(58) **Field of Classification Search**
USPC D12/203; D6/582-586, 592-594
CPC B60R 13/01; B60N 3/044; B60N 3/04
See application file for complete search history.

(56) **References Cited**

U.S. PATENT DOCUMENTS

D404,352 S *	1/1999	Lu	D12/203
D408,342 S *	4/1999	Yang	D12/203
D442,530 S *	5/2001	Lu	D12/203
6,261,667 B1 *	7/2001	Yang	B60N 3/044
				15/215
D542,204 S *	5/2007	Lu	D12/203
D555,562 S *	11/2007	Iacovelli	D12/203
D555,563 S *	11/2007	Iacovelli	D12/203
D556,112 S *	11/2007	Lu	D12/203
D610,062 S *	2/2010	Lu	D12/203

D613,226 S *	4/2010	Lu	D12/203
D622,648 S *	8/2010	Lu	D12/203
D626,485 S *	11/2010	Lu	D12/203
D647,447 S *	10/2011	Lu	D12/203
D648,252 S *	11/2011	Yang	D12/203
D648,253 S *	11/2011	Lu	D12/203
D663,667 S *	7/2012	Yang	D12/203
D680,932 S *	4/2013	Lu	D12/203
D734,231 S *	7/2015	Lu	D12/203

* cited by examiner

Primary Examiner — George D Kirschbaum

Assistant Examiner — Clese Moore, Jr.

(74) *Attorney, Agent, or Firm* — Pro-TECHTOR
International Services; Ian Oglesby

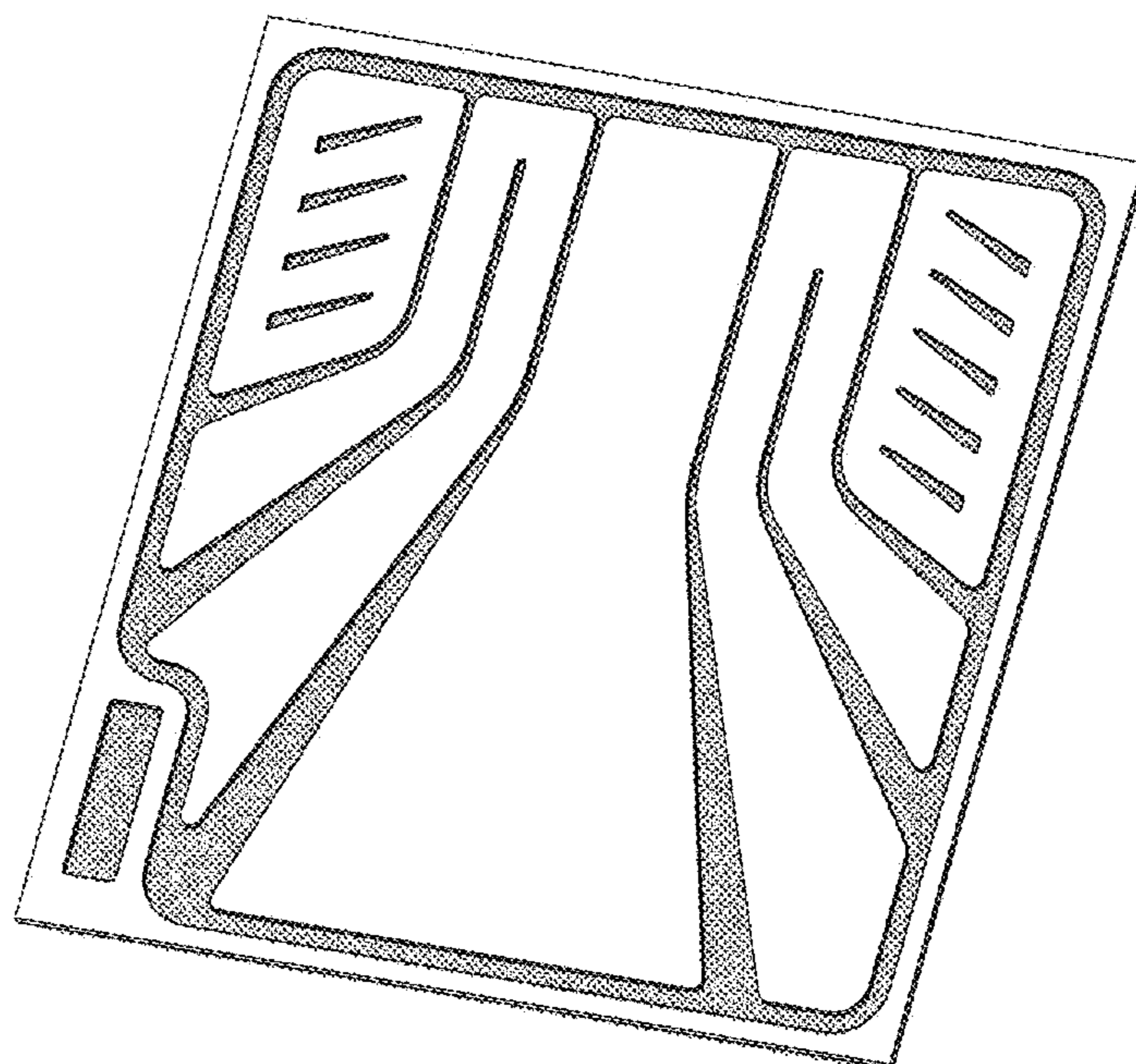
(57) **CLAIM**

The ornamental design for a surface pattern for a vehicle mat, as shown and described.

DESCRIPTION

FIG. 1 is a perspective view of a surface pattern for a vehicle mat showing my new design;
FIG. 2 is a front elevational view thereof;
FIG. 3 is a rear elevational view thereof;
FIG. 4 is a left elevational view thereof;
FIG. 5 is a right elevational view thereof,
FIG. 6 is a top plan view thereof; and,
FIG. 7 is a bottom plan view thereof.
The broken lines illustrated show portions of the surface pattern for a vehicle mat that form no part of the claimed design.

1 Claim, 5 Drawing Sheets



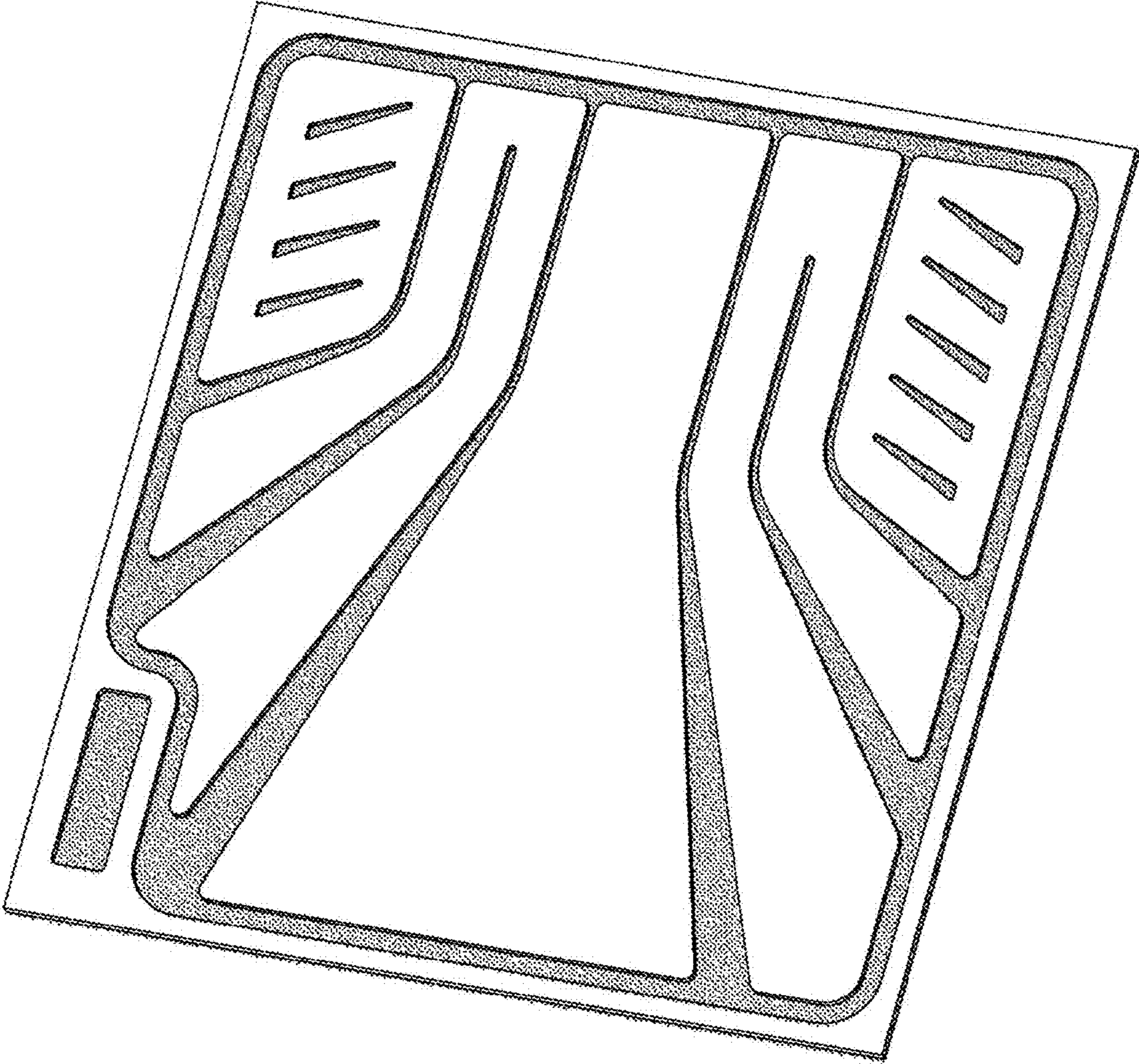


FIG. 1

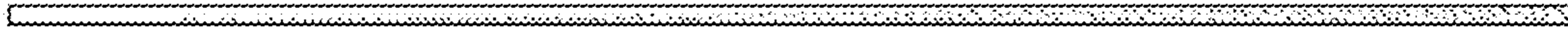


FIG. 2



FIG. 3

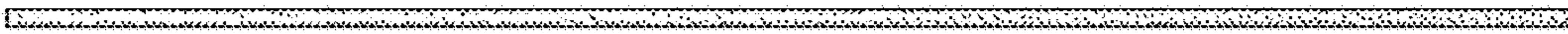


FIG. 4



FIG. 5

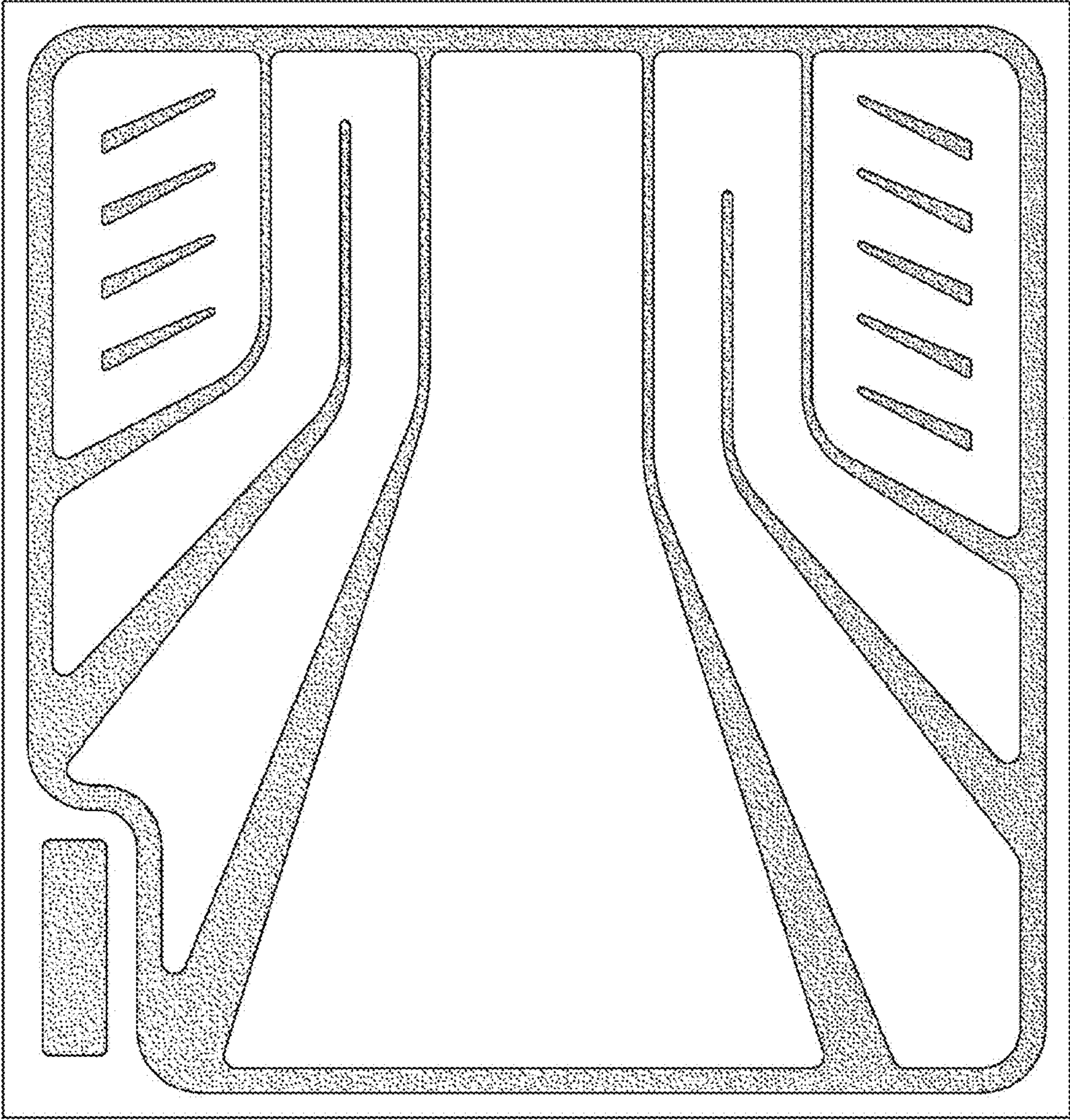


FIG. 6

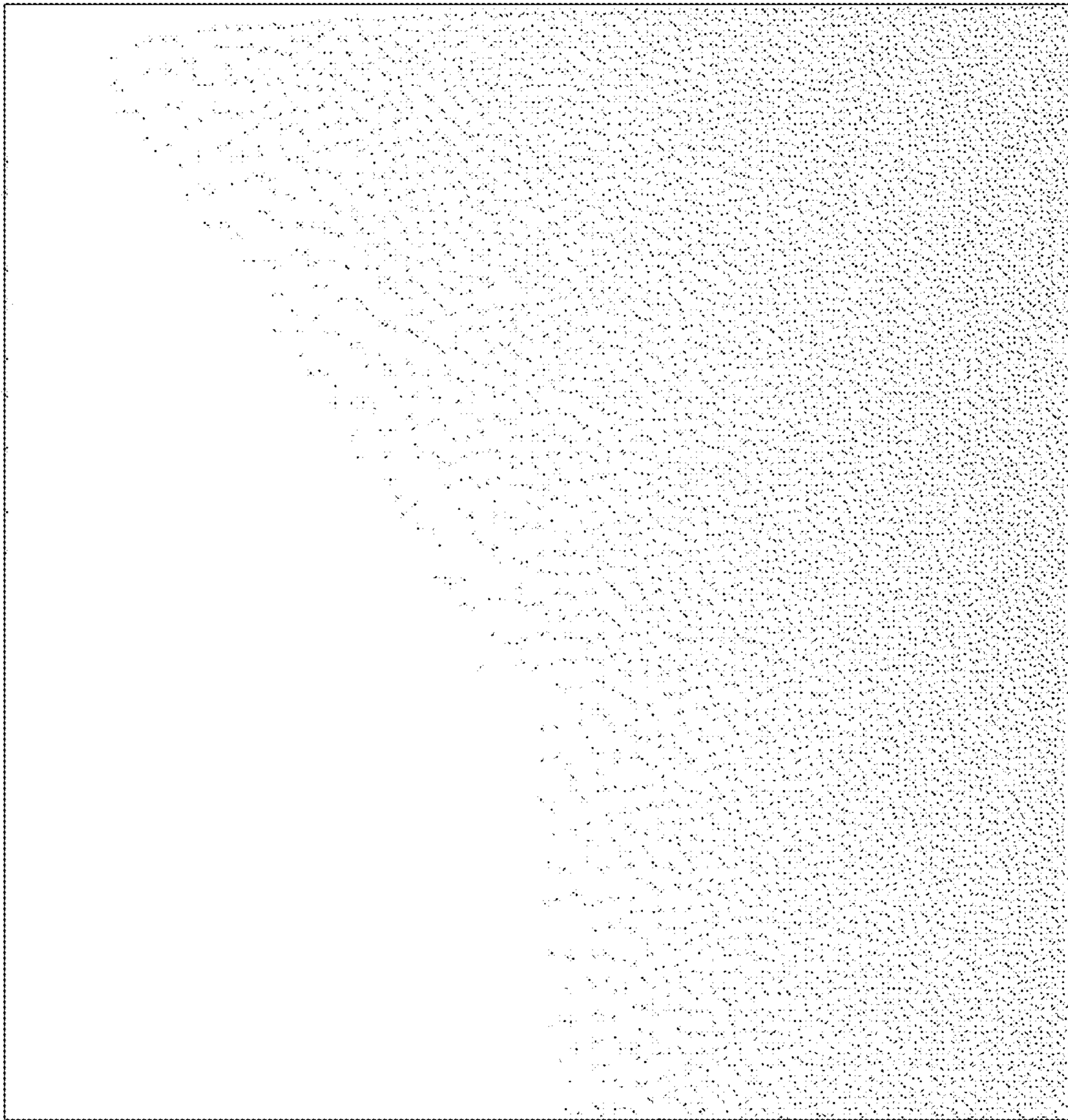


FIG. 7