



US00D770954S

(12) **United States Design Patent** (10) **Patent No.:** **US D770,954 S**
Luk (45) **Date of Patent:** **** Nov. 8, 2016**

(54) **REAR FENDER FOR A VEHICLE**
(71) Applicant: **Bayerische Motoren Werke Aktiengesellschaft, Munich (DE)**
(72) Inventor: **Calvin Luk, Munich (DE)**
(73) Assignee: **Bayerische Motoren Werke Aktiengesellschaft, Munich (DE)**

D731,924 S * 6/2015 Lian D12/91
D741,223 S * 10/2015 Kim D12/91
D757,607 S * 5/2016 Nissl D12/91

FOREIGN PATENT DOCUMENTS

WO DM/070931 3/2009
WO DM/078976 2/2013
WO DM/084222 2/2015

OTHER PUBLICATIONS

<https://www.youtube.com/watch?v=P7OUMIshzyk>—Published Jun. 3, 2015.*
<https://www.youtube.com/watch?v=0sgx56KZQ4E>—Published Oct. 27, 2015.*

* cited by examiner

Primary Examiner — Manpreet Matharu
Assistant Examiner — Mojtaba Tehrani
(74) *Attorney, Agent, or Firm* — Crowell & Moring LLP

(**) Term: **15 Years**
(21) Appl. No.: **29/530,459**
(22) Filed: **Jun. 17, 2015**
(30) **Foreign Application Priority Data**
Dec. 18, 2014 (DE) 40 2014 101 250
(51) **LOC (10) Cl.** **12-16**
(52) **U.S. Cl.**
USPC **D12/196**
(58) **Field of Classification Search**
USPC D12/86, 90–92, 184–186, 190, 196;
D21/424–425, 433–434
CPC B60R 13/04; B60R 19/54; B62D 25/12;
B62D 27/026; B62D 35/005; B60J 5/0412
See application file for complete search history.

(57) **CLAIM**

The ornamental design for a rear fender for a vehicle, as shown.

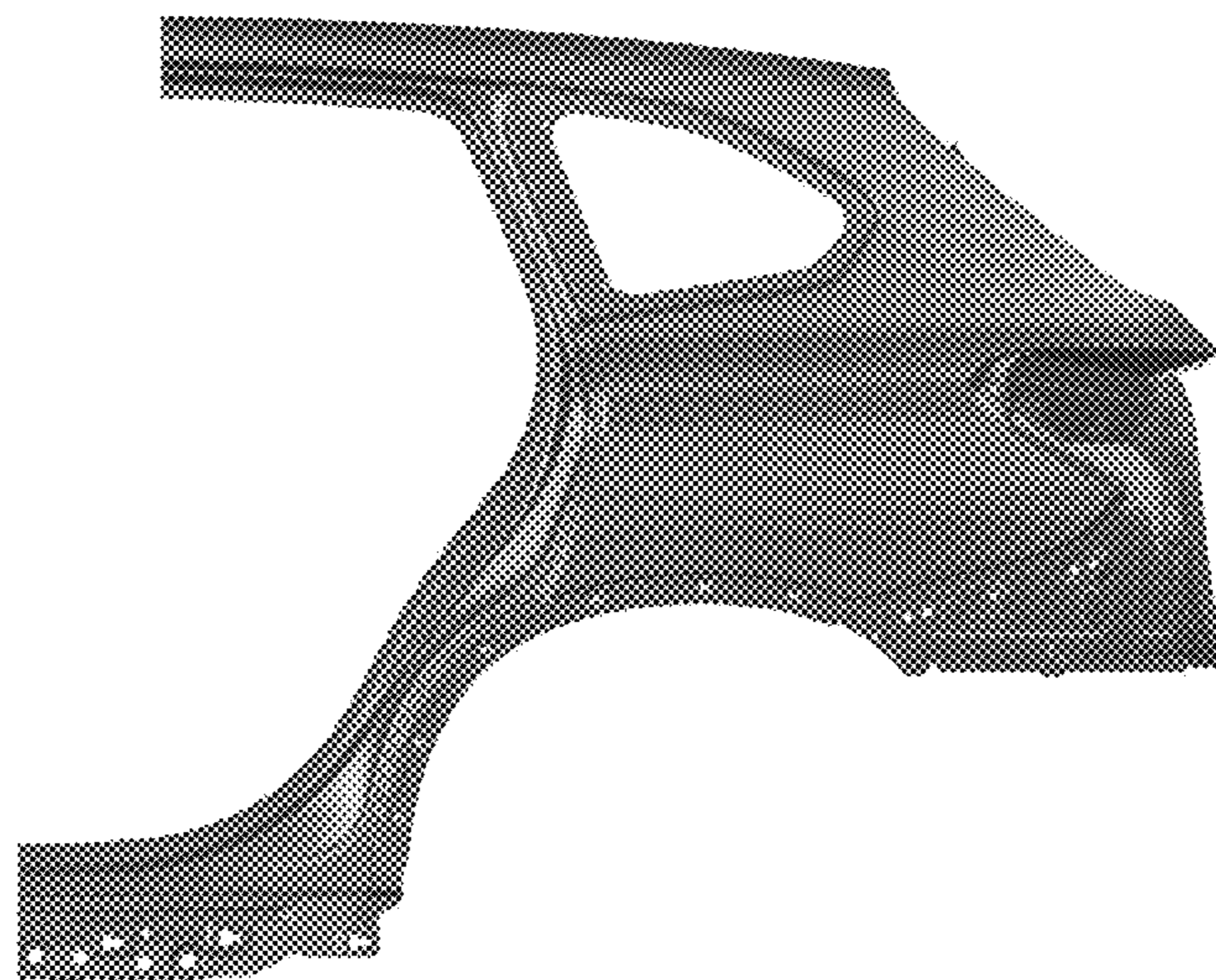
DESCRIPTION

This application contains subject matter related to the following co-pending U.S. design patent application: Application Ser. No. 29/530,451, filed herewith and entitled “Vehicle, Toy, and/or Replicas Thereof”.

FIG. 1 is a front view of a rear fender for a vehicle, showing my new design;
FIG. 2 is a left, front perspective view thereof;
FIG. 3 is a right, front perspective view thereof;
FIG. 4 is a left side view thereof;
FIG. 5 is a right side view thereof;
FIG. 6 is a top view thereof;
FIG. 7 is a bottom view thereof; and,
FIG. 8 is a rear view thereof.

1 Claim, 8 Drawing Sheets

(56) **References Cited**
U.S. PATENT DOCUMENTS
D658,557 S * 5/2012 Hakamata D12/196
D673,078 S * 12/2012 Ramaciotti D12/91
D680,906 S * 4/2013 Sugimoto D12/91
D686,949 S * 7/2013 Minami D12/91
D689,795 S * 9/2013 Takei D12/91
D695,662 S * 12/2013 Suga D12/196
D699,170 S * 2/2014 Okue D12/184
D708,552 S * 7/2014 De Bono D12/91
D724,493 S * 3/2015 Kobayashi D12/91
D728,422 S * 5/2015 Minami D12/91



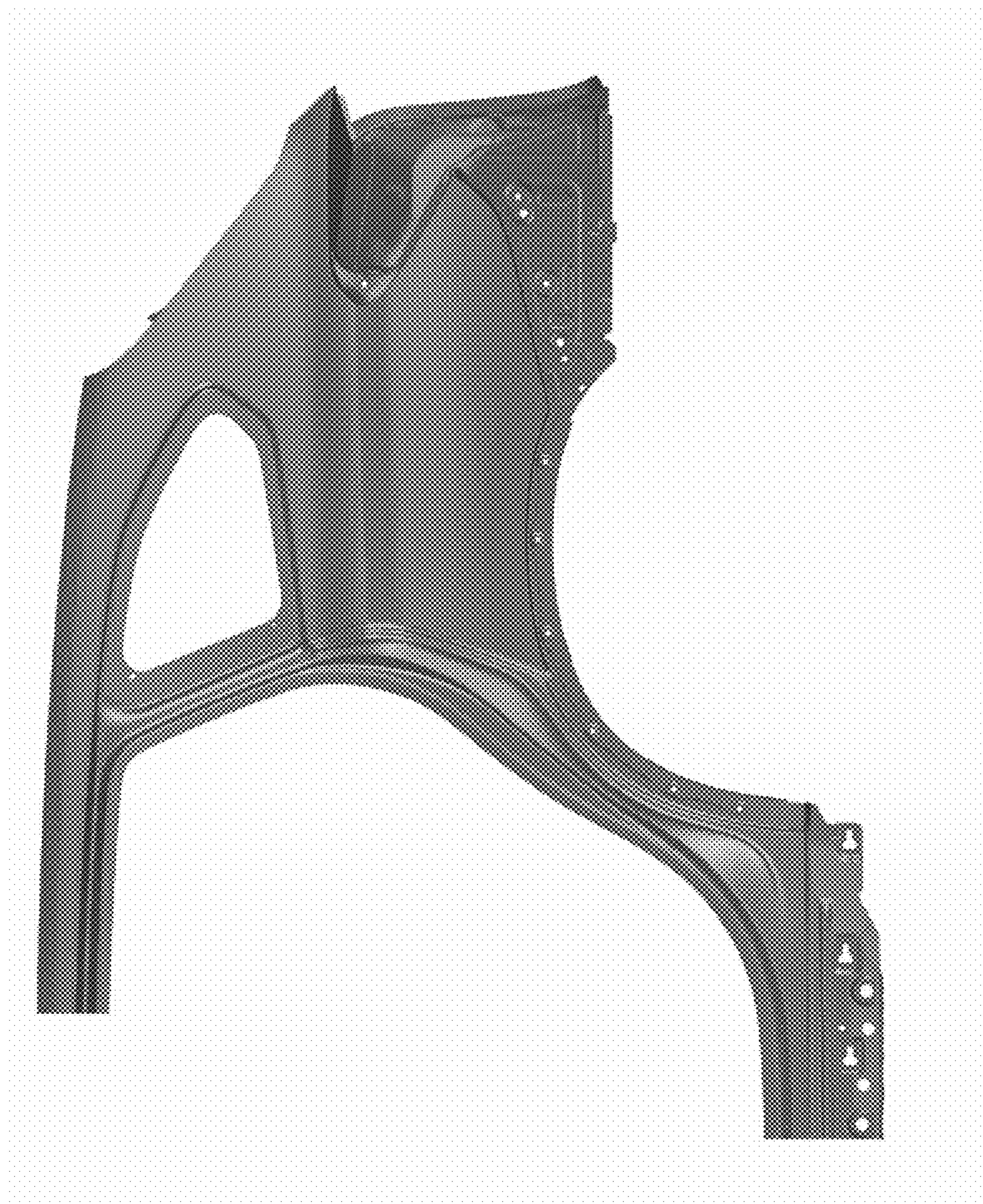


Fig. 1



Fig. 2



Fig. 3

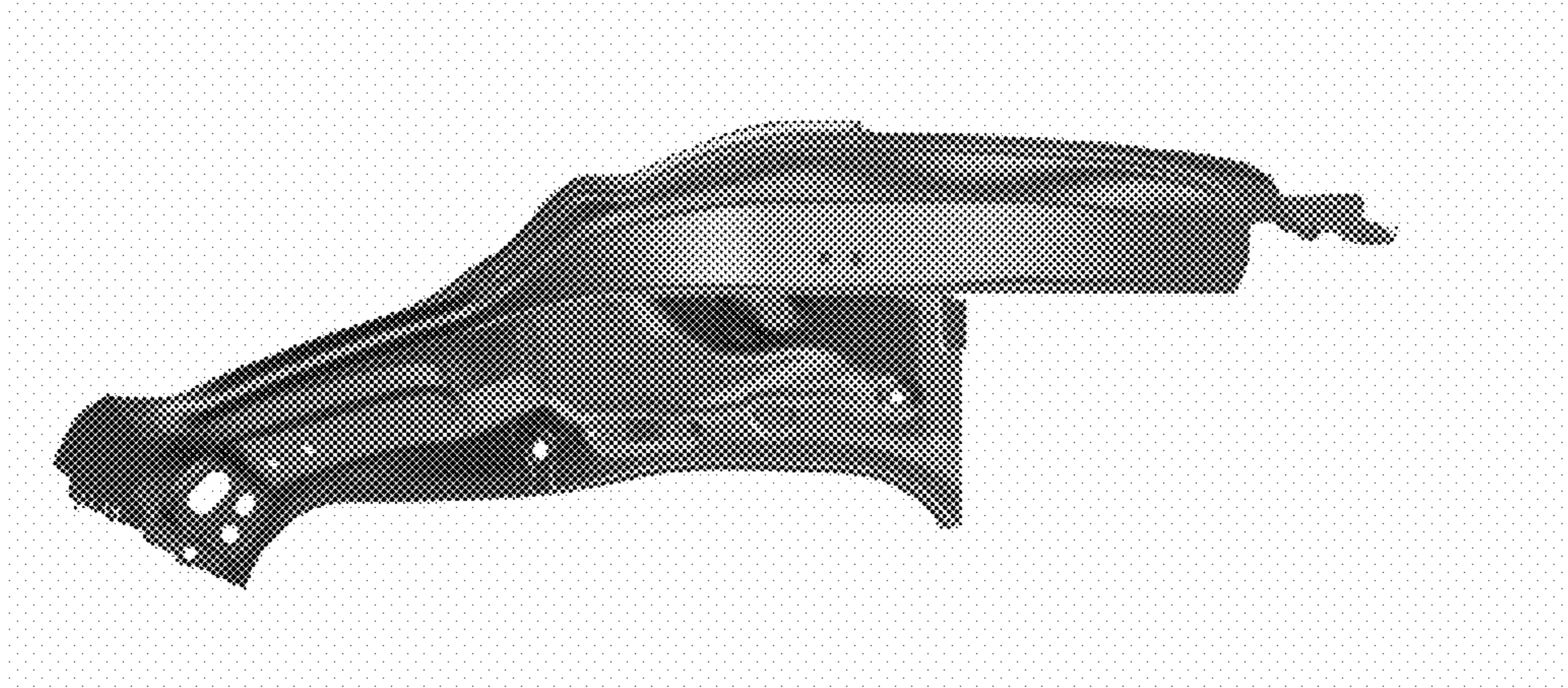


Fig. 4

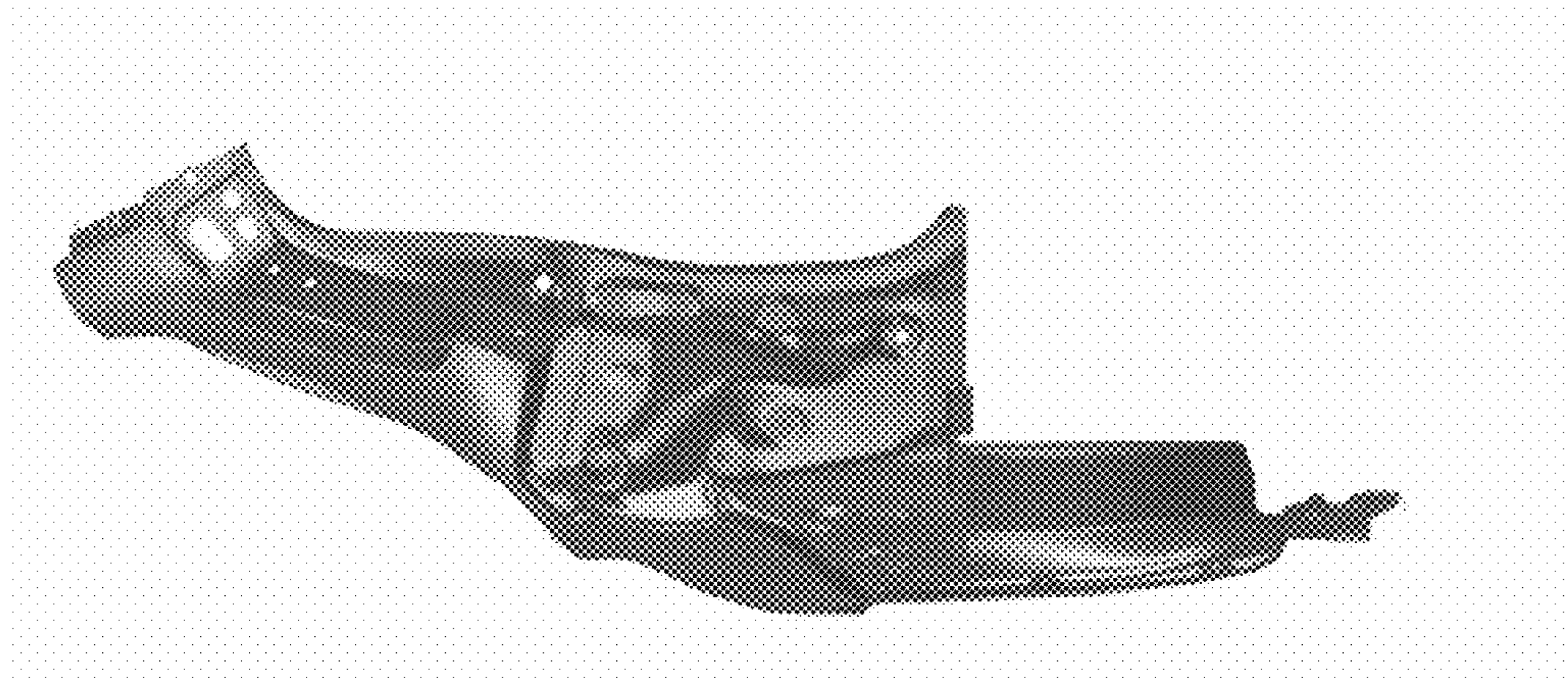


Fig. 5



Fig. 6



Fig. 7

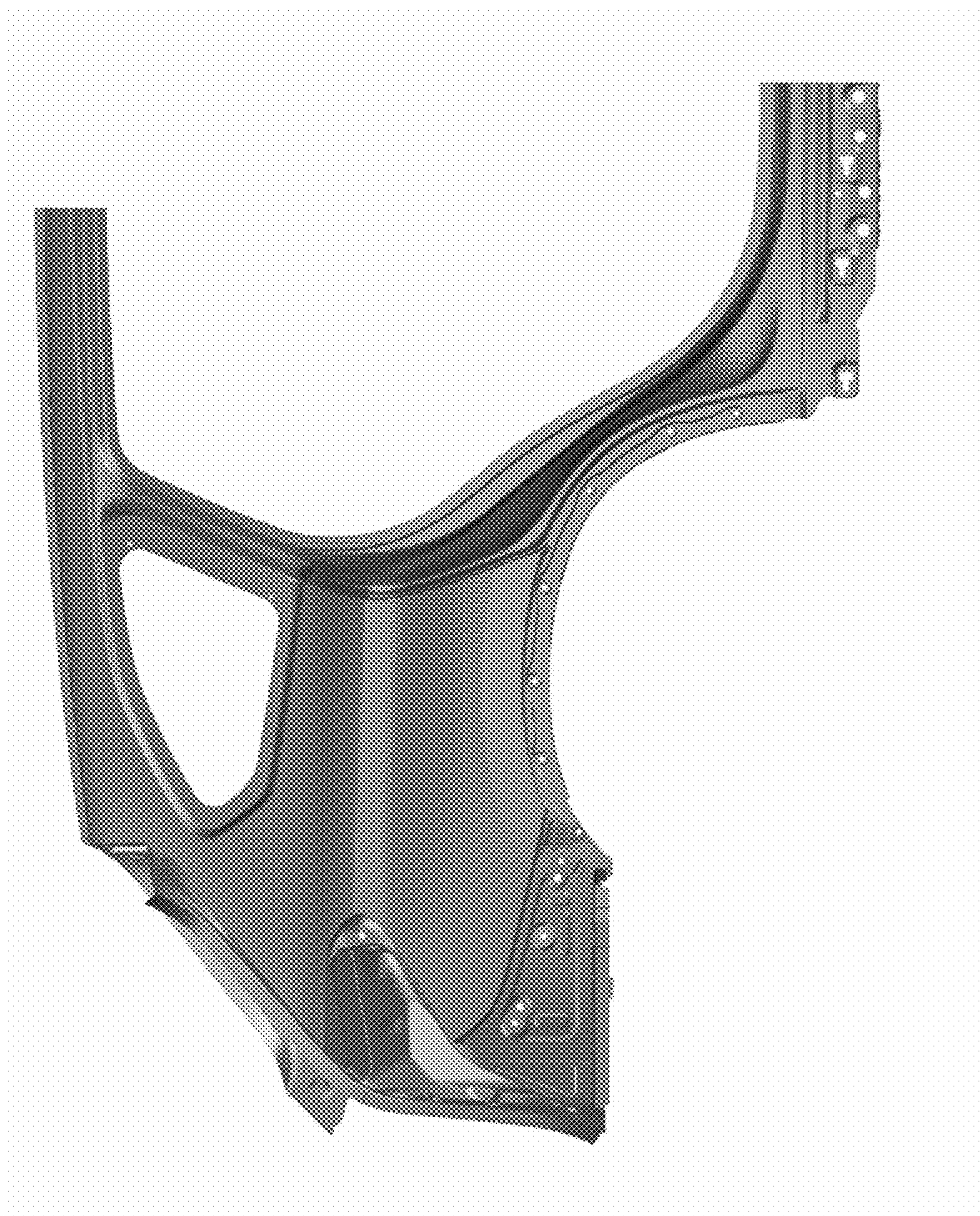


Fig. 8