



US00D770950S

(12) **United States Design Patent** (10) **Patent No.:** **US D770,950 S**  
**Bucher et al.** (45) **Date of Patent:** **\*\* Nov. 8, 2016**

(54) **VEHICLE FRONT UPPER BUMPER COVER**

(71) Applicant: **Ford Global Technologies, LLC,**  
Dearborn, MI (US)

(72) Inventors: **George Bucher,** Dearborn, MI (US);  
**Dean Carbis,** Bloomfield Hills, MI (US)

(73) Assignee: **Ford Global Technologies, LLC,**  
Dearborn, MI (US)

(\*\*) Term: **15 Years**

(21) Appl. No.: **29/543,681**

(22) Filed: **Oct. 27, 2015**

(51) **LOC (10) Cl.** ..... **12-08**

(52) **U.S. Cl.**  
USPC ..... **D12/169**

(58) **Field of Classification Search**  
USPC ..... D12/86-92, 163-172; 293/102-155;  
296/35.2, 193.09, 193.1, 203.02  
CPC ..... B60R 19/02; B60R 19/023; B60R 19/18;  
B60R 19/24; B60R 19/44; B60R 19/48;  
B60R 19/56; B60R 2019/527; B60R  
2019/1886

See application file for complete search history.

(56) **References Cited**

**U.S. PATENT DOCUMENTS**

D622,193 S *	8/2010	Koyama	.....	D12/169
D644,969 S	9/2011	Messale		
D664,483 S *	7/2012	Platto	.....	D12/169
D664,902 S *	8/2012	Platto	.....	D12/169
D680,922 S *	4/2013	Jara	.....	D12/169
D686,531 S *	7/2013	Lamm	.....	D12/91
D700,105 S *	2/2014	Kochi	.....	D12/91
D718,677 S *	12/2014	Whang	.....	D12/169
D721,624 S *	1/2015	George	.....	D12/169

D728,422 S *	5/2015	Minami	.....	D12/91
D733,624 S *	7/2015	Morikawa	.....	D12/169
D737,738 S *	9/2015	Nordmann	.....	D12/169
D760,631 S *	7/2016	Choi	.....	D12/169
D761,693 S *	7/2016	Lian	.....	D12/91

**OTHER PUBLICATIONS**

Wendler, Andrew. "2017 Ford Escape Debuts, Cranks up the Technology." caranddriver.com. Nov. 2015. Accessed Aug. 2, 2016. Available online at URL: <<http://www.caranddriver.com/news/2017-ford-escape-official-photos-and-info-news>>.\*  
"2017 Ford Escape—Interior and Exterior Walkaround." YouTube.com. 0:37. Published Nov. 16, 2015. Accessed Aug. 2, 2016. Available online at URL: <<https://www.youtube.com/watch?v=gvqk88X6vow>>.\*  
Bob Nagy <http://www.kbb.com/car-news/all-the-latest/2017-Ford-escape-spied/2000012056> 2017 Ford Escape spied, dated May 15, 2015.

(Continued)

*Primary Examiner* — Cathron Brooks

*Assistant Examiner* — Christian P McLean

(74) *Attorney, Agent, or Firm* — Damian Porcari

(57) **CLAIM**

The ornamental design for a vehicle front upper bumper cover, as shown and described.

**DESCRIPTION**

FIG. 1 is a top front perspective and left view of the vehicle front upper bumper cover, showing our new design; FIG. 2 is a top front perspective and right view thereof; FIG. 3 is a top rear perspective view thereof; FIG. 4 is a front elevational view thereof; FIG. 5 is a rear elevational view thereof; FIG. 6 is a left side elevational view thereof; FIG. 7 is a right side elevational view thereof; FIG. 8 is a top plan view thereof; and, FIG. 9 is a bottom plan view thereof.

**1 Claim, 9 Drawing Sheets**



(56)

**References Cited**

OTHER PUBLICATIONS

Mark McNabb <http://www.topspeed.com/trucks/truck-reviews/Ford/2017-Ford-escape-ar169435.html> 2017 Ford Escape dated May 18, 2015.

Alexander Stoklosa <http://www.caranddriver/news/2017-Ford-escape-spy-photos-news> 2017 Ford Escape Spy Photos dated May 2015.

Unknown <http://www.autoblog.com/2015/06/25/2017-Ford-escape-spy-shots> New Ford Escape spied inside and out dated Jun. 25, 2015.

\* cited by examiner

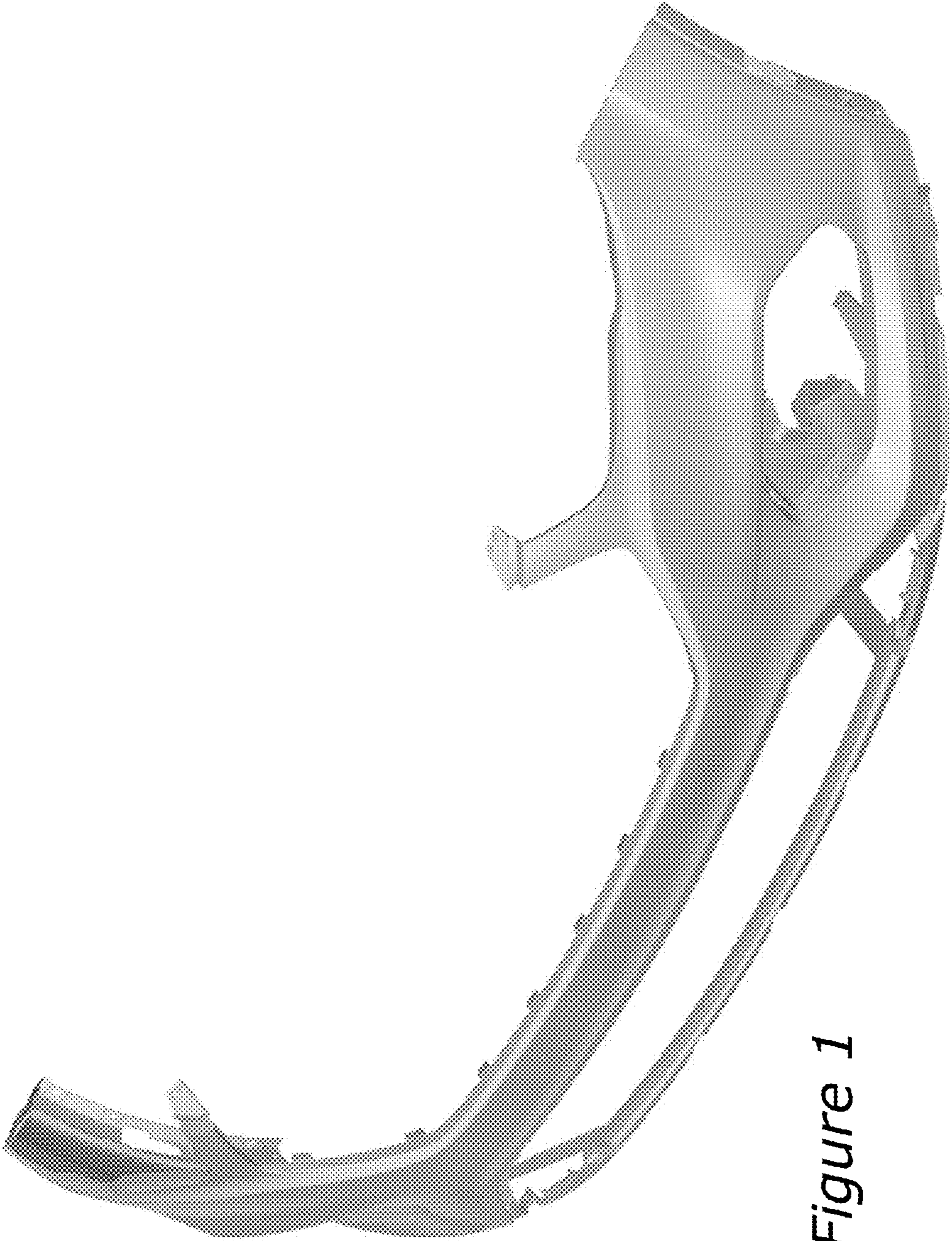


Figure 1

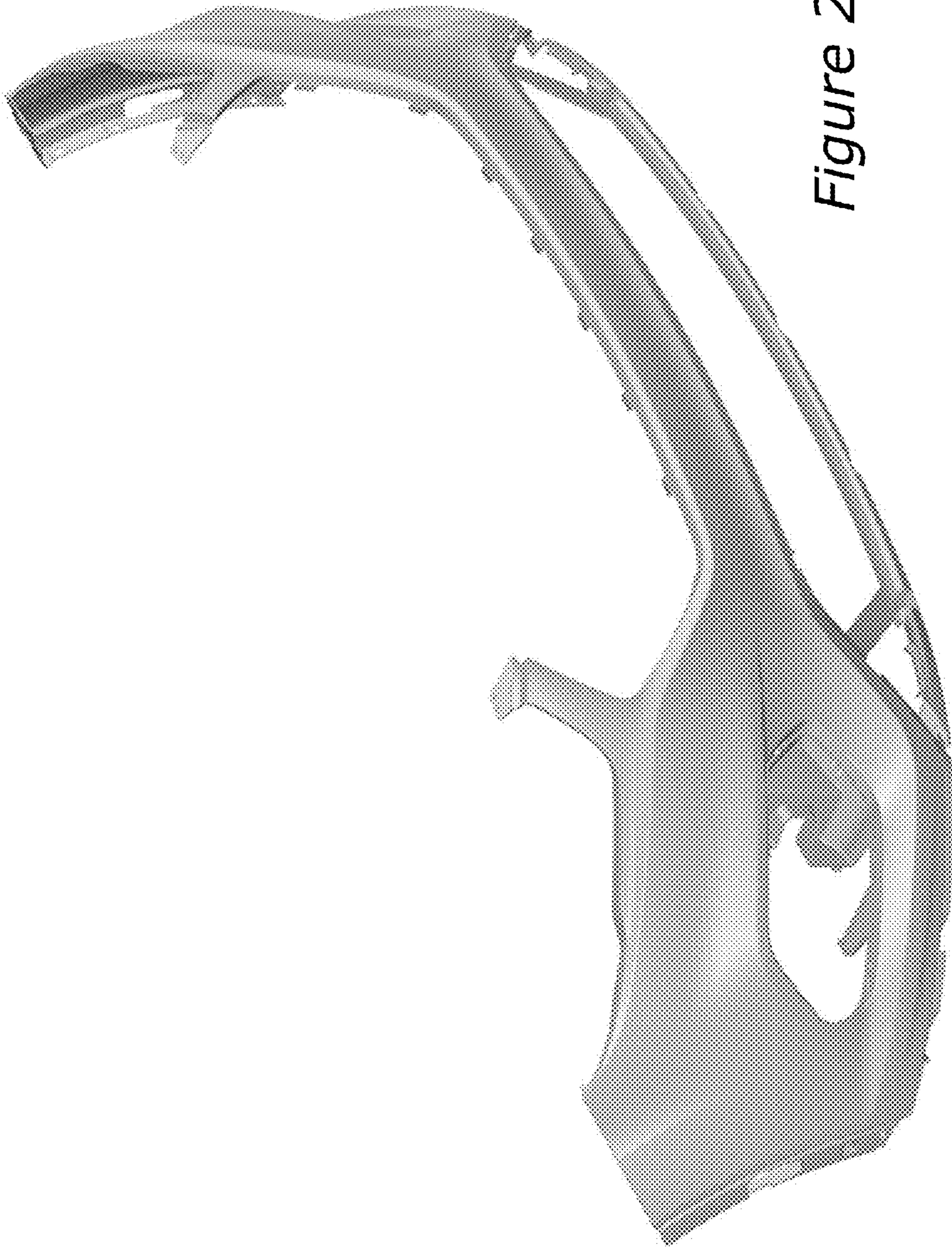


Figure 2

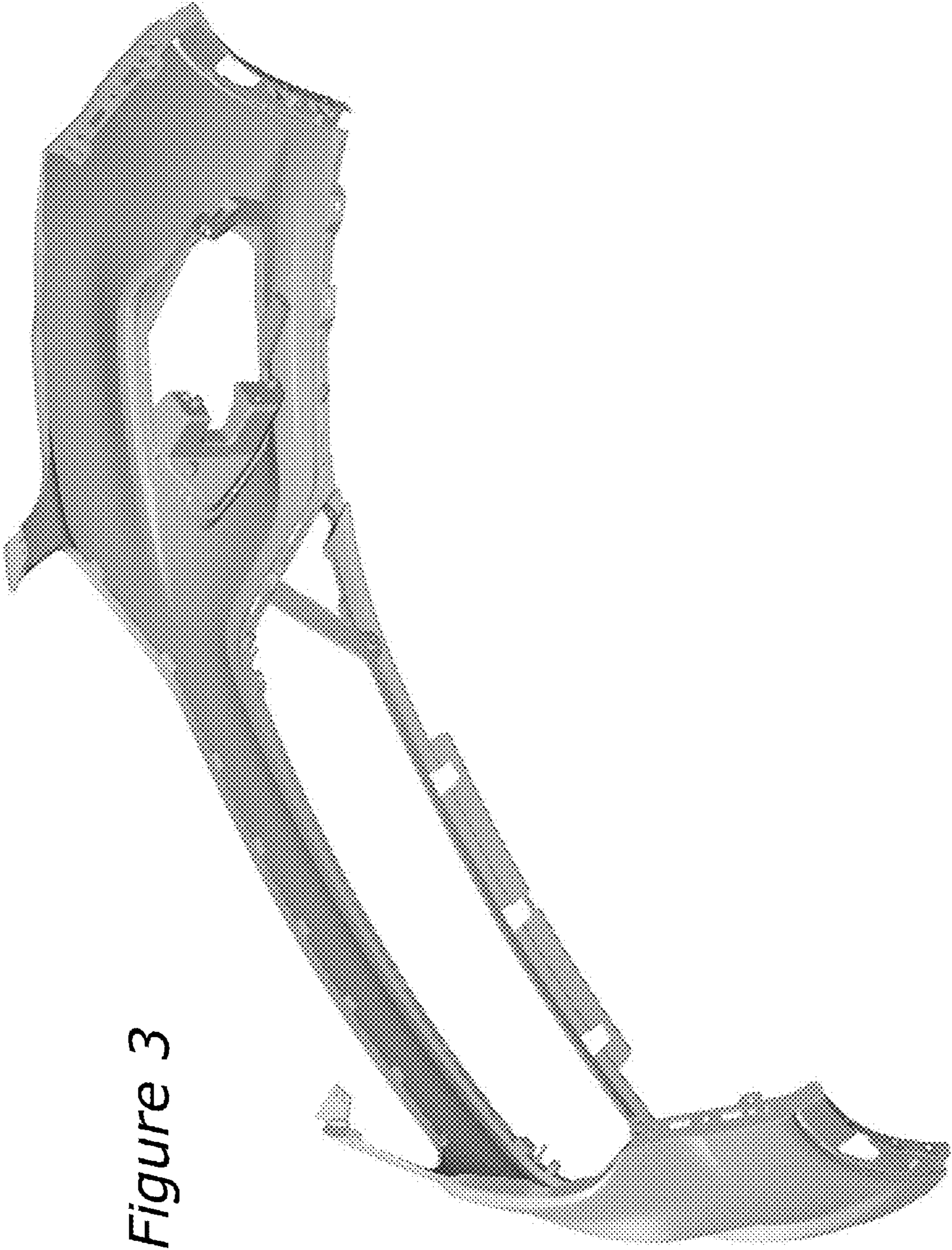


Figure 3

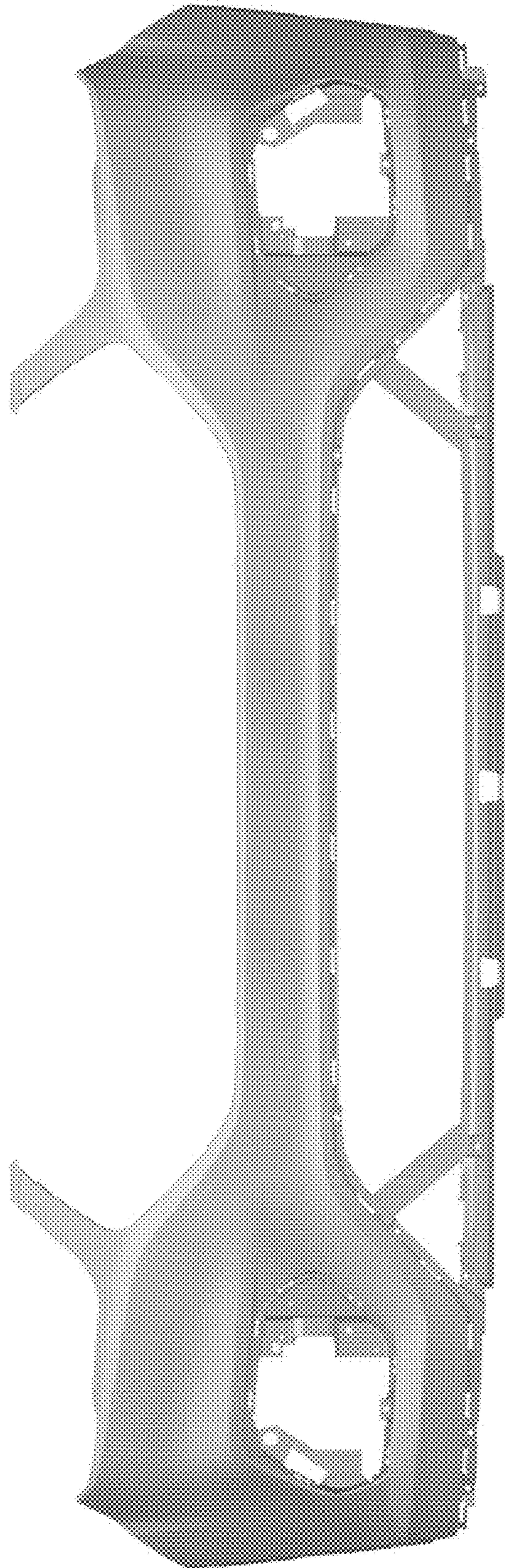


Figure 4

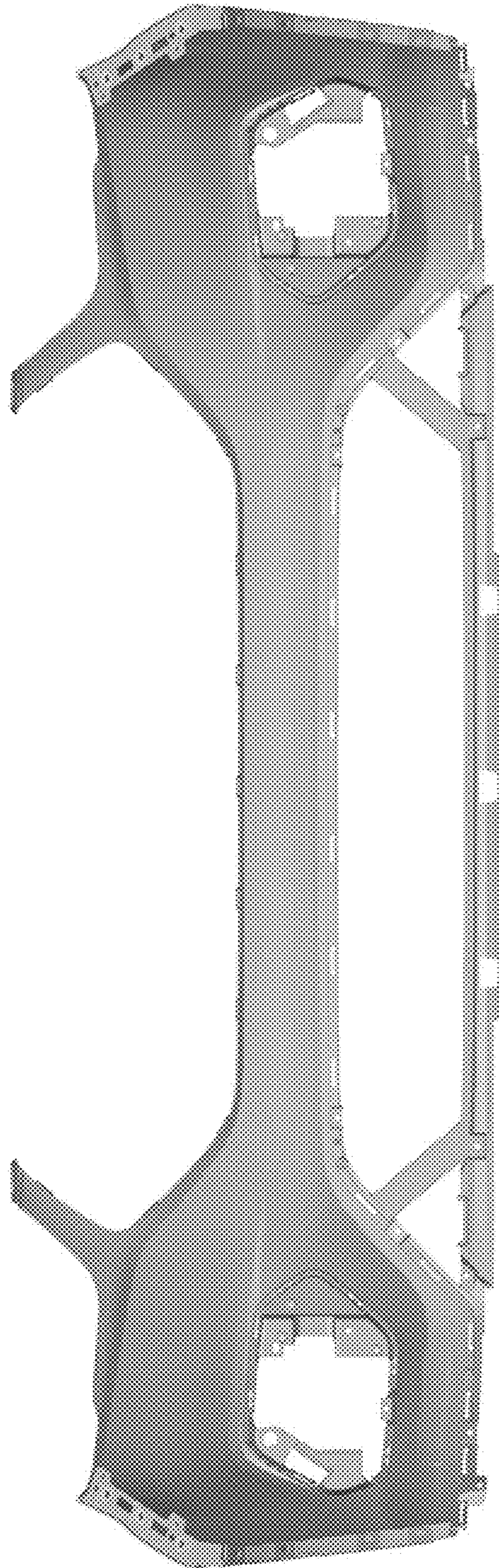


Figure 5

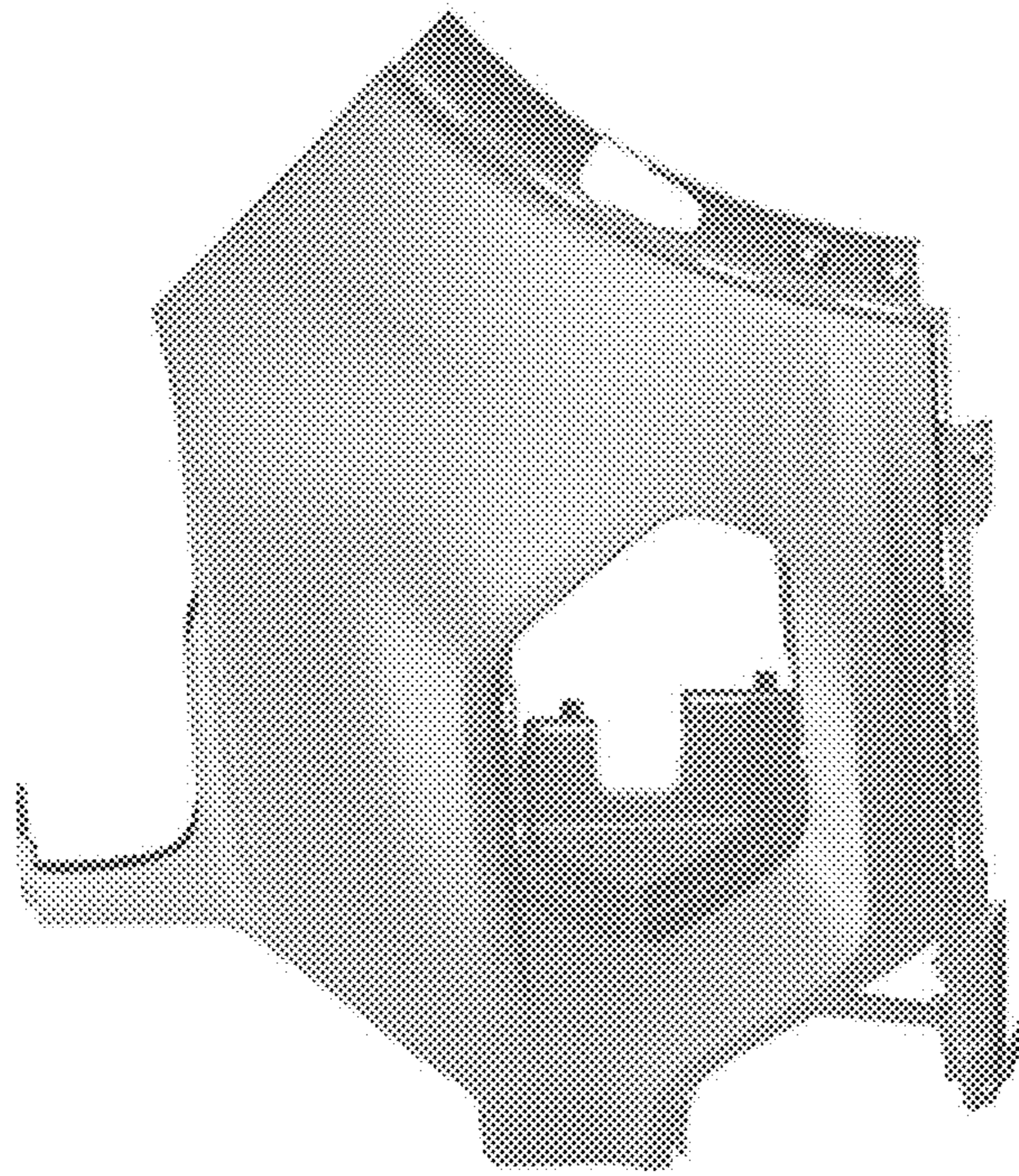
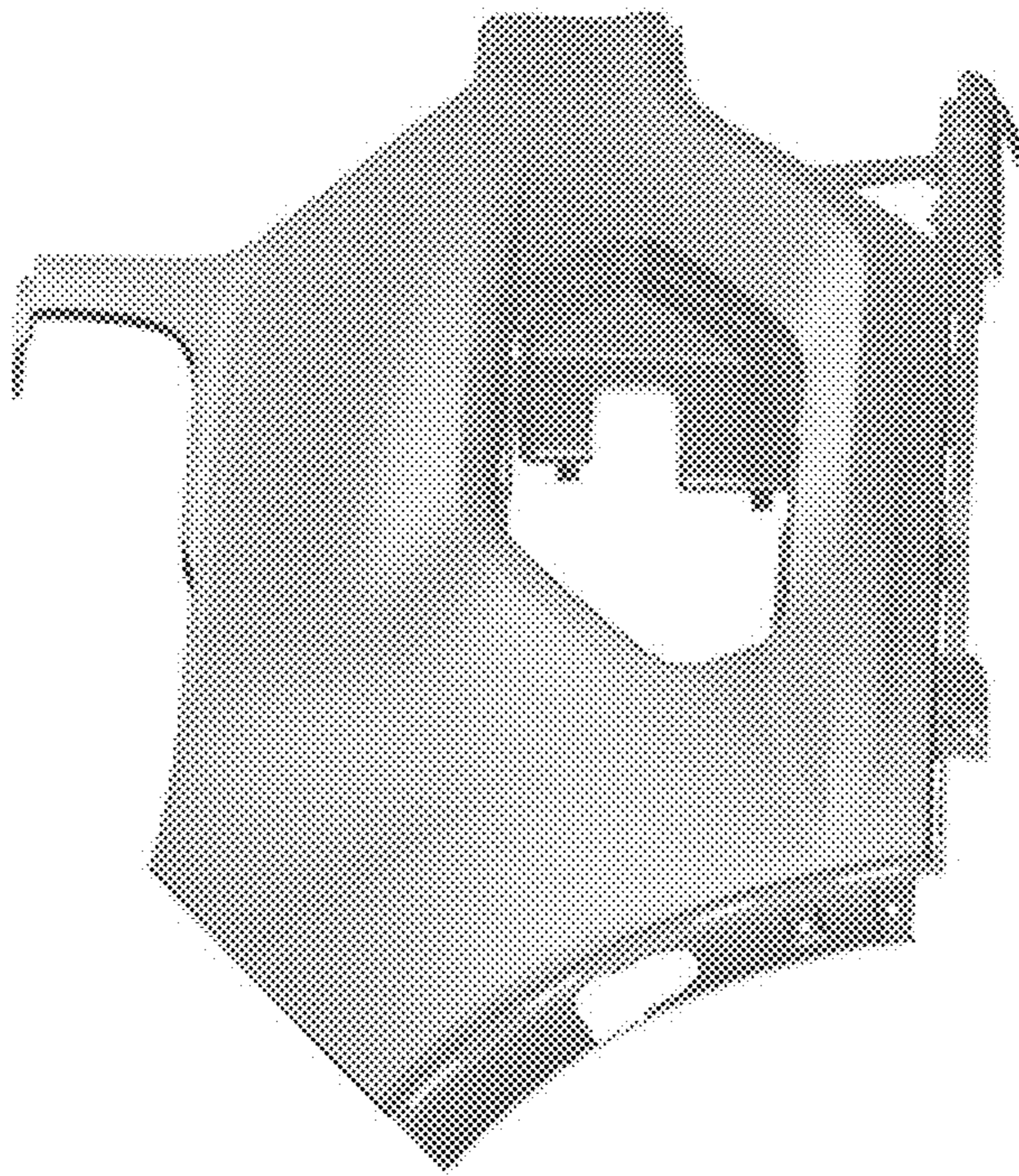


Figure 6





*Figure 7*

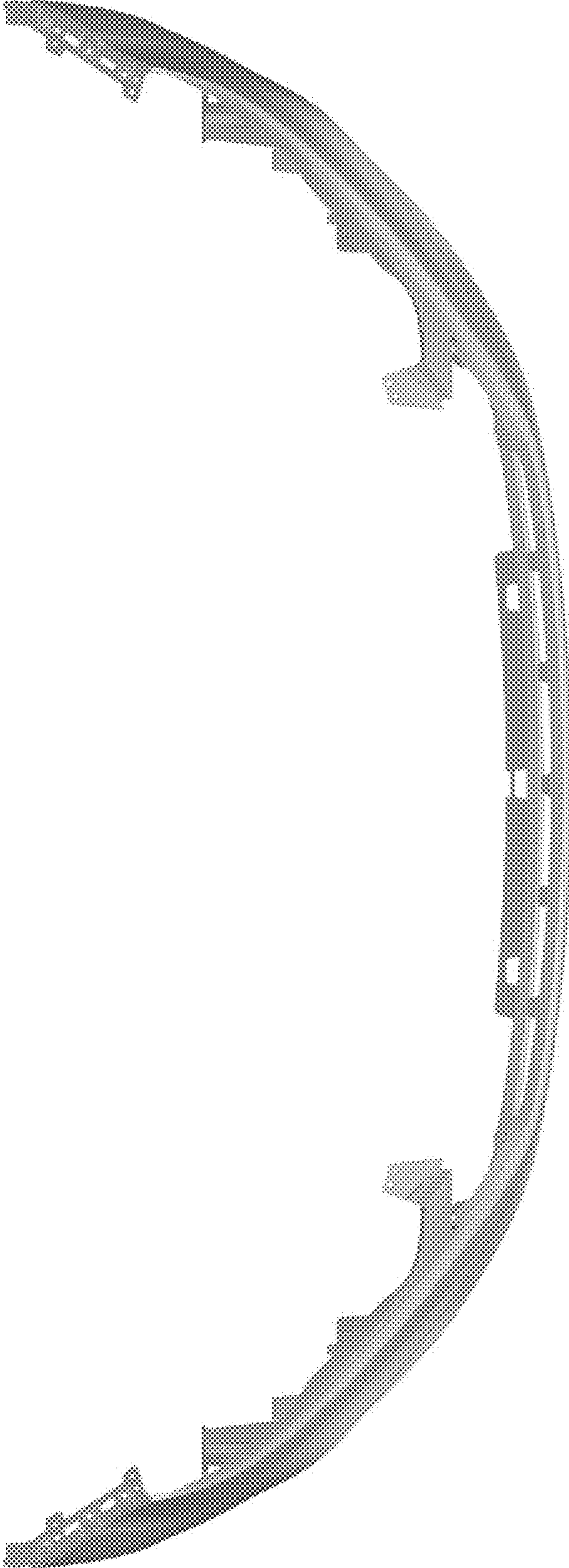


Figure 8

Figure 9

