



US00D770948S

(12) **United States Design Patent**
Wu

(10) **Patent No.:** **US D770,948 S**

(45) **Date of Patent:** **** Nov. 8, 2016**

(54) **REAR BUMPER GUARD**

(71) Applicant: **Yim Man Wu**, Elmhurst, NY (US)

(72) Inventor: **Yim Man Wu**, Elmhurst, NY (US)

(**) Term: **15 Years**

(21) Appl. No.: **29/543,248**

(22) Filed: **Oct. 22, 2015**

(51) **LOC (10) Cl.** **12-16**

(52) **U.S. Cl.**
USPC **D12/162**

(58) **Field of Classification Search**
USPC D12/162, 159, 160, 161
CPC B60D 1/60; B60D 1/065; B60D 1/00;
B60D 1/06

See application file for complete search history.

(56) **References Cited**

U.S. PATENT DOCUMENTS

5,829,744 A * 11/1998 Nelson A63F 9/10
273/153 R
D444,754 S * 7/2001 Storer D12/203

D463,345 S * 9/2002 Cipolla D12/162
D491,509 S * 6/2004 Bundy D12/203
D511,319 S * 11/2005 Wang D12/162
D532,354 S * 11/2006 Storer D12/203
D645,805 S * 9/2011 Vukel D12/162

* cited by examiner

Primary Examiner — Katrina A Betton

(74) *Attorney, Agent, or Firm* — James R. Coleman, Jr.

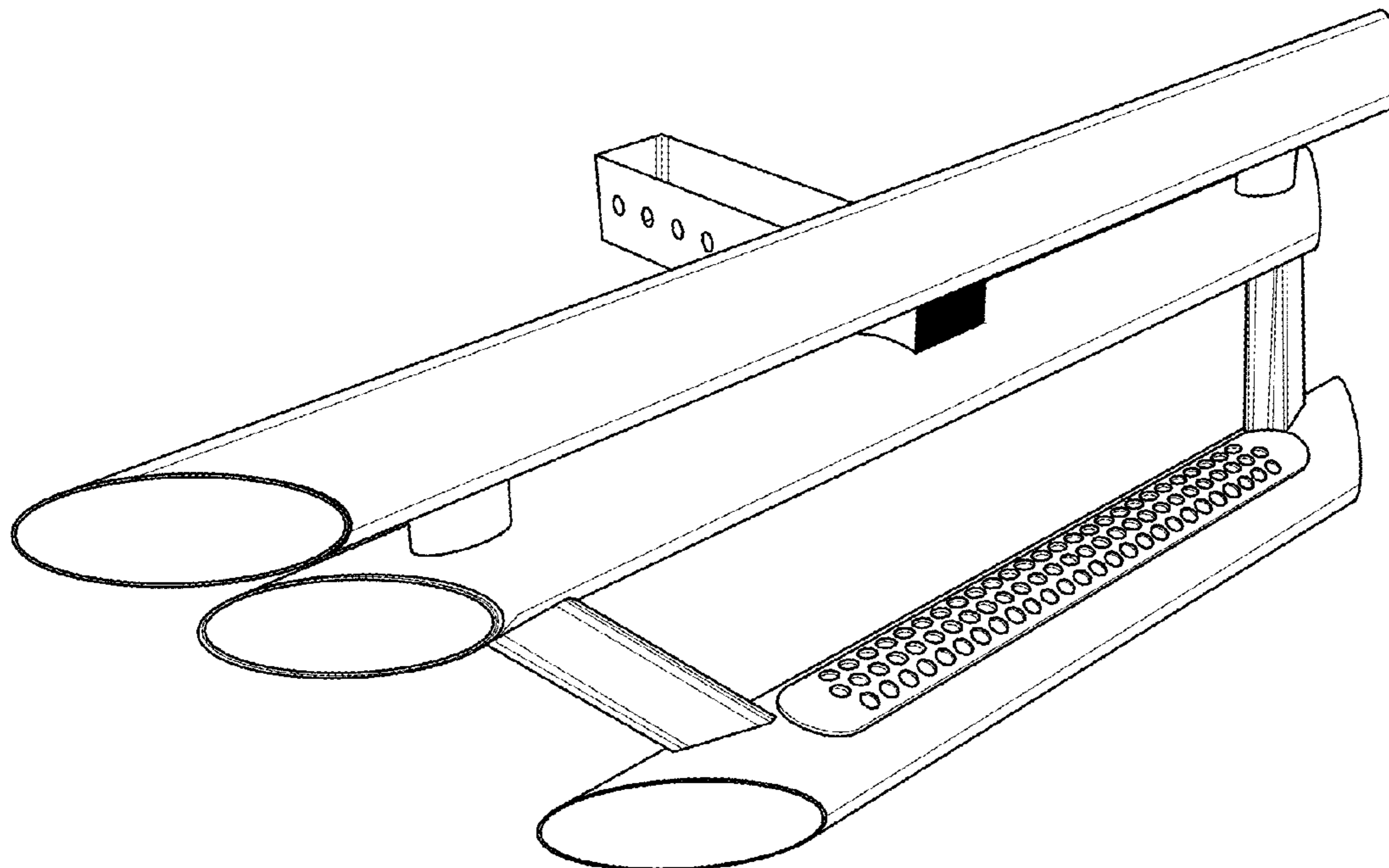
(57) **CLAIM**

The ornamental design for a rear bumper guard, as shown and described.

DESCRIPTION

FIG. 1 is a perspective view of the rear bumper guard as seen from above and behind the automobile (not illustrated). FIG. 2 is a view of the rear bumper guard as seen from directly behind the automobile (not illustrated); and, FIG. 3 is a view of the rear bumper guard as seen from the left side.

1 Claim, 3 Drawing Sheets



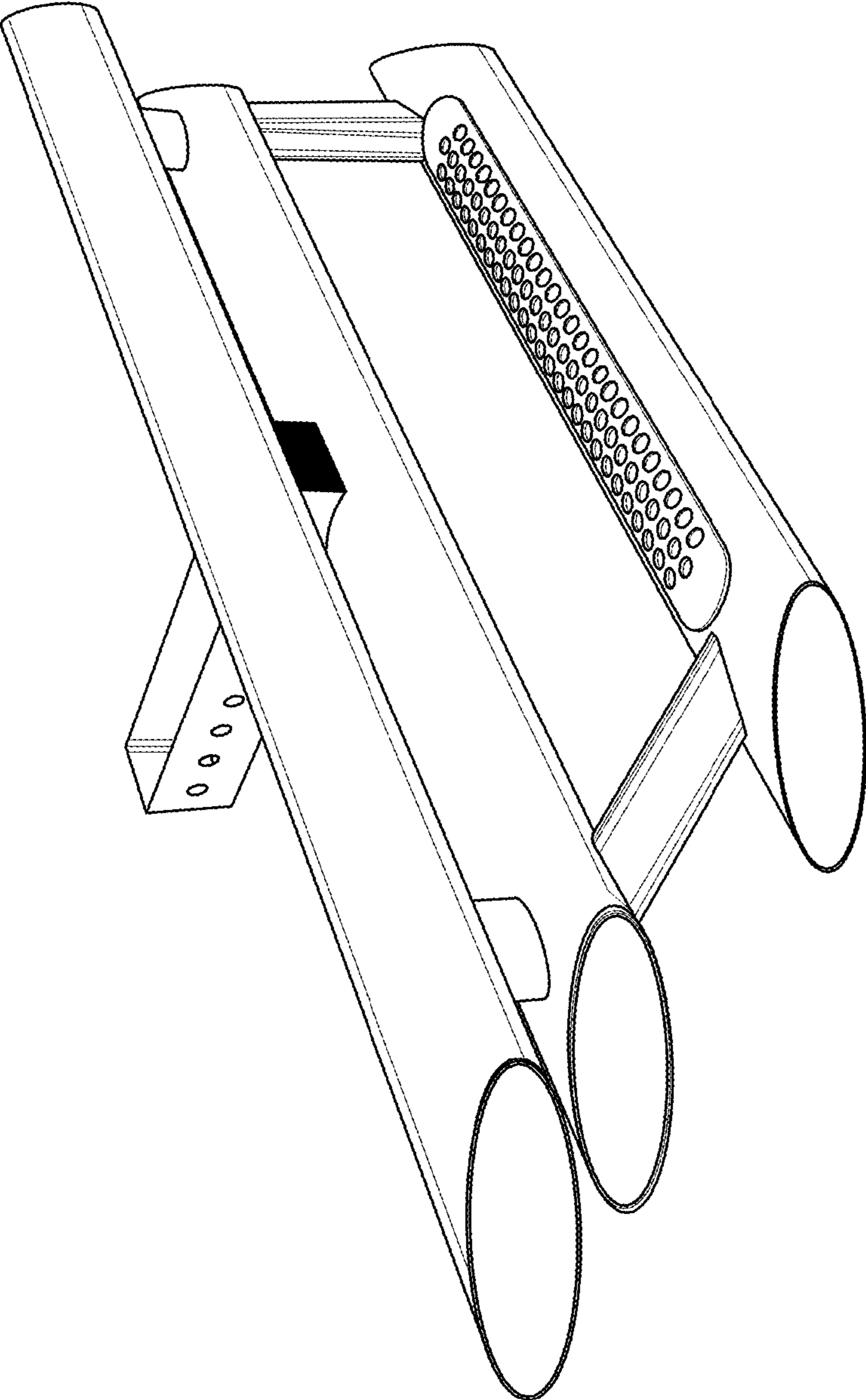


FIGURE 1

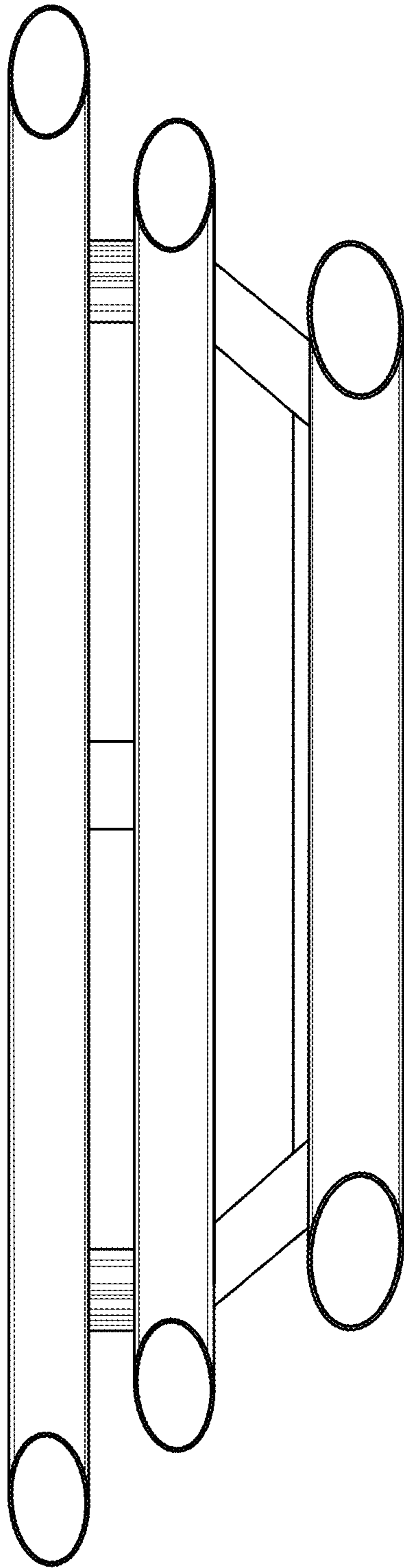


FIGURE 2

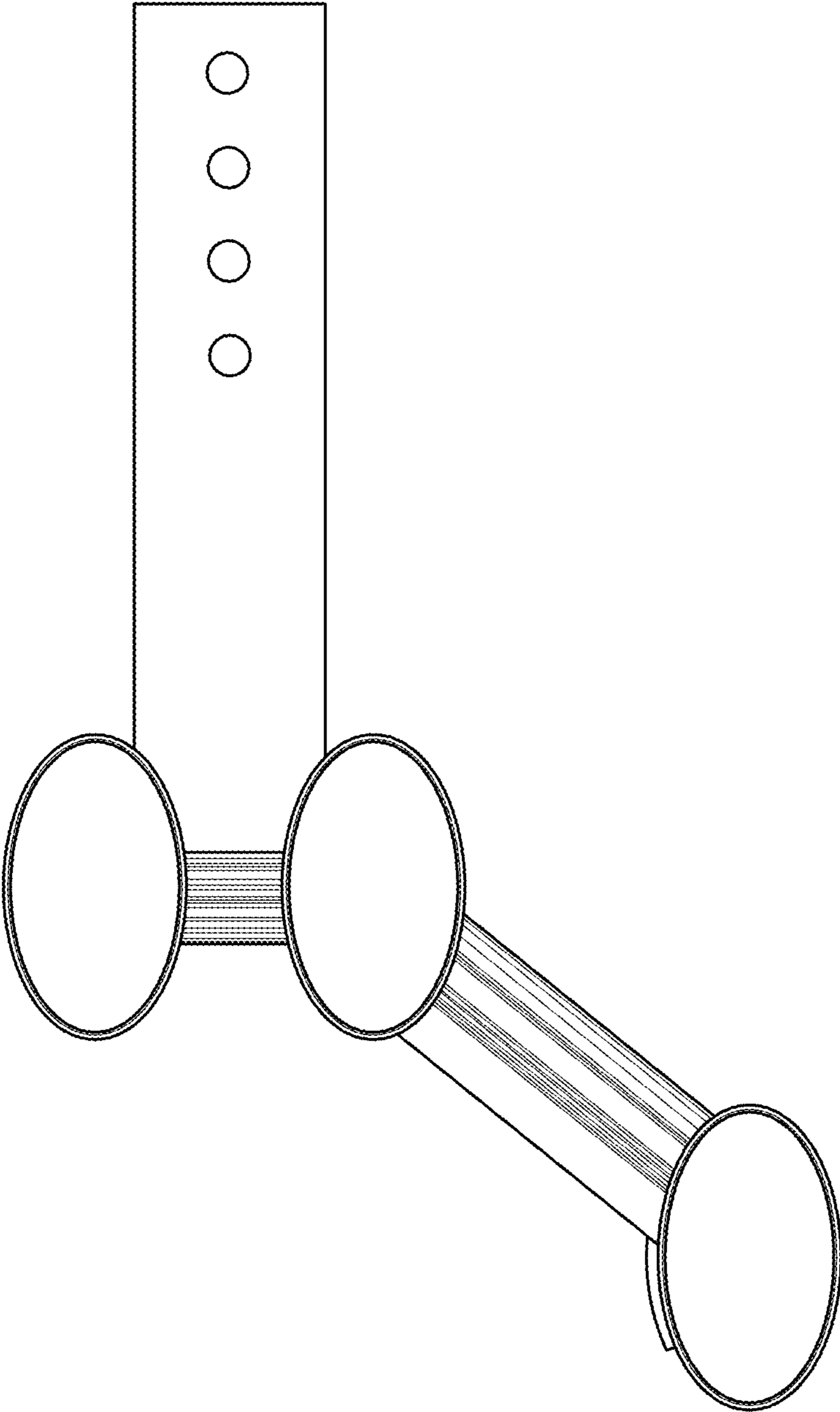


FIGURE 3