



US00D770947S

(12) **United States Design Patent** (10) **Patent No.:** **US D770,947 S**  
**Zollars et al.** (45) **Date of Patent:** **\*\* Nov. 8, 2016**

(54) **CHAIR ARM**

*Primary Examiner* — Charles Hanson

(71) Applicant: **HNI Technologies Inc.**, Muscatine, IA (US)

(74) *Attorney, Agent, or Firm* — Faegre Baker Daniels LLP

(72) Inventors: **Jerry Zollars**, Muscatine, IA (US);  
**Nathaniel Birks**, Davenport, IA (US);  
**Conrad M. Marini**, Woodbridge (CA);  
**Paul Mazzotta**, Etobicoke (CA)

(57) **CLAIM**

The ornamental design for a chair arm, as shown and described.

(73) Assignee: **HNI TECHNOLOGIES INC.**, Muscatine, IA (US)

**DESCRIPTION**

(\*\*) Term: **14 Years**

(21) Appl. No.: **29/515,993**

(22) Filed: **Jan. 28, 2015**

(51) **LOC (10) Cl.** ..... **12-12**

(52) **U.S. Cl.**  
USPC ..... **D12/133**

(58) **Field of Classification Search**  
USPC ..... D12/128–133; D6/334, 344, 364–366,  
D6/716.2, 716.3  
CPC ..... A61G 5/00–5/14  
See application file for complete search history.

FIG. 1 is a perspective view of a chair arm in a first position from a first point of view, according to a first embodiment. FIG. 2 is a front view of the chair arm in the first position, according to the first embodiment. FIG. 3 is a back view of the chair arm in the first position, according to the first embodiment. FIG. 4 is a right side view of the chair arm in the first position, according to the first embodiment. FIG. 5 is a left side view of the chair arm in the first position, according to the first embodiment. FIG. 6 is a top view of the chair arm in the first position, according to the first embodiment. FIG. 7 is a bottom view of the chair arm in the first position, according to the first embodiment. FIG. 8 is a perspective view of the chair arm in a second position from the first point of view, according to the first embodiment. FIG. 9 is a perspective view of a chair arm in a second position from the first point of view, according to a second embodiment. FIG. 10 is a front view of the chair arm in the first position, according to the second embodiment. FIG. 11 is a right side view of the chair arm in the first position, according to the second embodiment; and, FIG. 12 is a perspective view of the chair arm in the second position from the first point of view, according to the second embodiment. The broken line showing is included for the purpose of illustrating unclaimed subject matter and forms no part of the claimed design.

(56) **References Cited**

**U.S. PATENT DOCUMENTS**

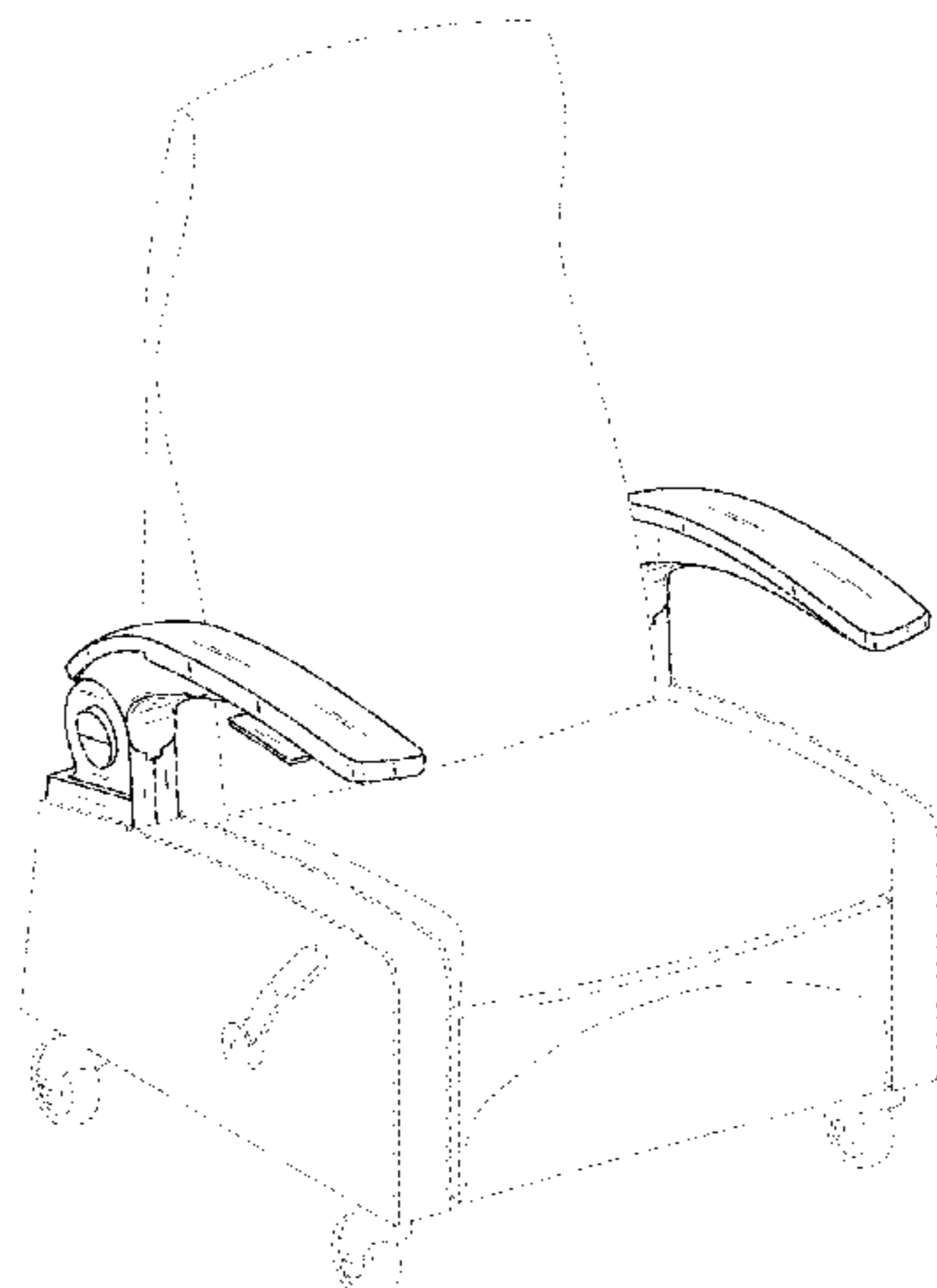
D223,823 S *	6/1972	Bowen	.....	D12/131
D250,977 S *	2/1979	Powers	.....	D12/128
D315,123 S *	3/1991	Spiegel	.....	D12/131
5,359,176 A	10/1994	Balliet et al.		
D359,856 S	7/1995	Hutton		
D364,971 S *	12/1995	Sterlacci	.....	D12/128
D398,565 S *	9/1998	Knabusch	.....	D12/131
D433,825 S	11/2000	Piretti		
D440,414 S	4/2001	Natuzzi et al.		
D451,849 S *	12/2001	Noshi	.....	D12/131

(Continued)

**FOREIGN PATENT DOCUMENTS**

CN ZL20153027700035 S 2/2016

**1 Claim, 11 Drawing Sheets**



(56)

References Cited

U.S. PATENT DOCUMENTS

D489,653 S *	5/2004	Tsai .....	D12/131	7,866,613 B2 *	1/2011	Cramer .....	A61G 5/12 248/118
D494,110 S *	8/2004	Cheng .....	D12/131	D657,967 S	4/2012	Spoelhof et al.	
D503,364 S *	3/2005	Miura .....	D12/131	D681,353 S	5/2013	Lade	
D510,666 S	10/2005	Pimental et al.		D686,004 S	7/2013	Schweikarth et al.	
7,020,517 B2	3/2006	Weiner		D703,960 S	5/2014	Doyle et al.	
D539,044 S	3/2007	Solheim		8,727,048 B2 *	5/2014	Jurkiewicz .....	A61G 5/045 180/65.1
D569,769 S *	5/2008	Chiu .....	D12/131	D717,553 S	11/2014	Baraldi et al.	
D580,664 S	11/2008	Cramer et al.		D735,622 S *	8/2015	Spalding .....	D12/133
D590,304 S *	4/2009	Kruse .....	D12/131	D739,662 S	9/2015	Webb	
D611,718 S *	3/2010	Tierney .....	D12/128	D742,285 S *	11/2015	Cooper .....	D12/131
7,740,575 B2	6/2010	Peters et al.		D756,673 S	5/2016	Schweikarth	

\* cited by examiner

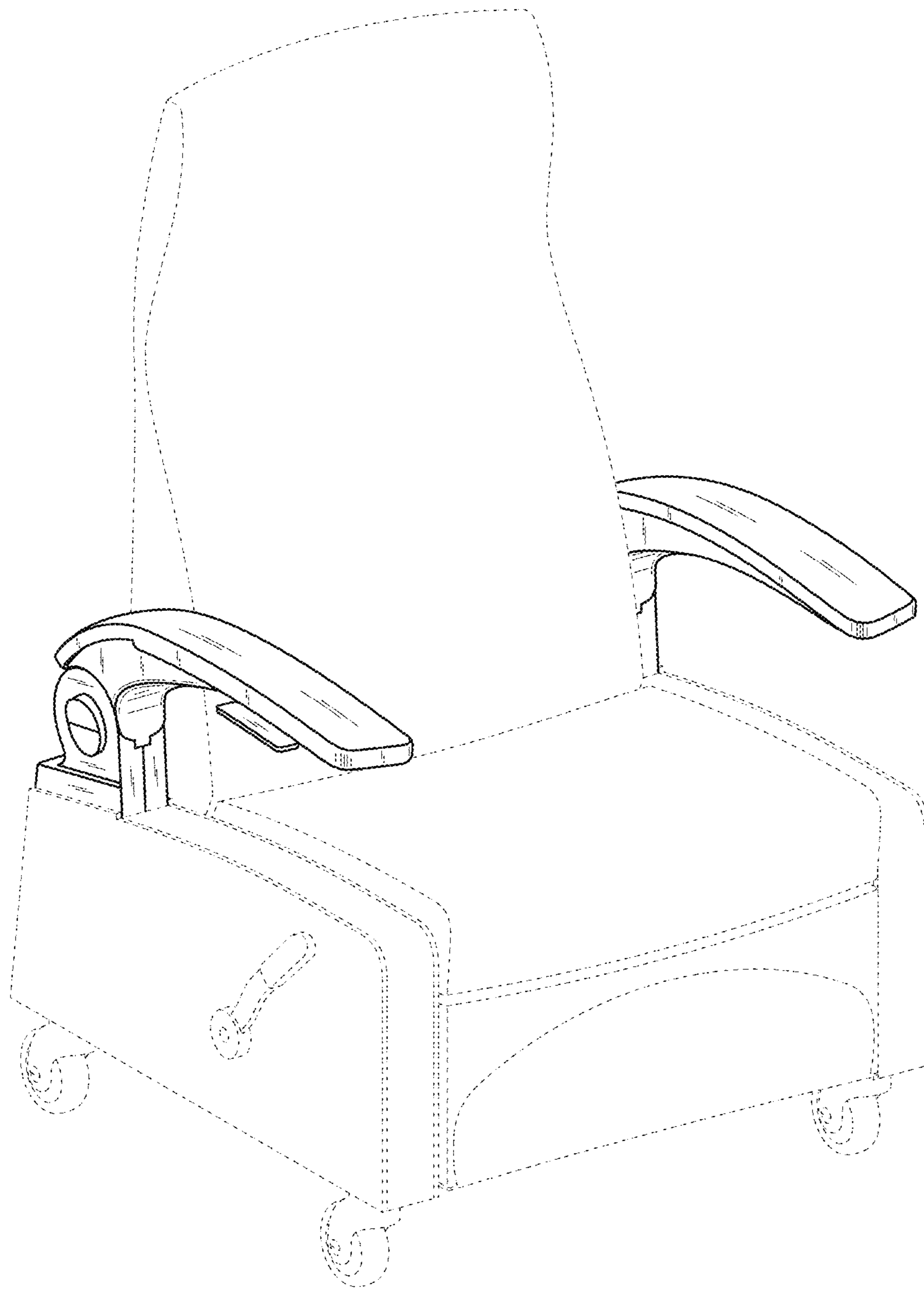
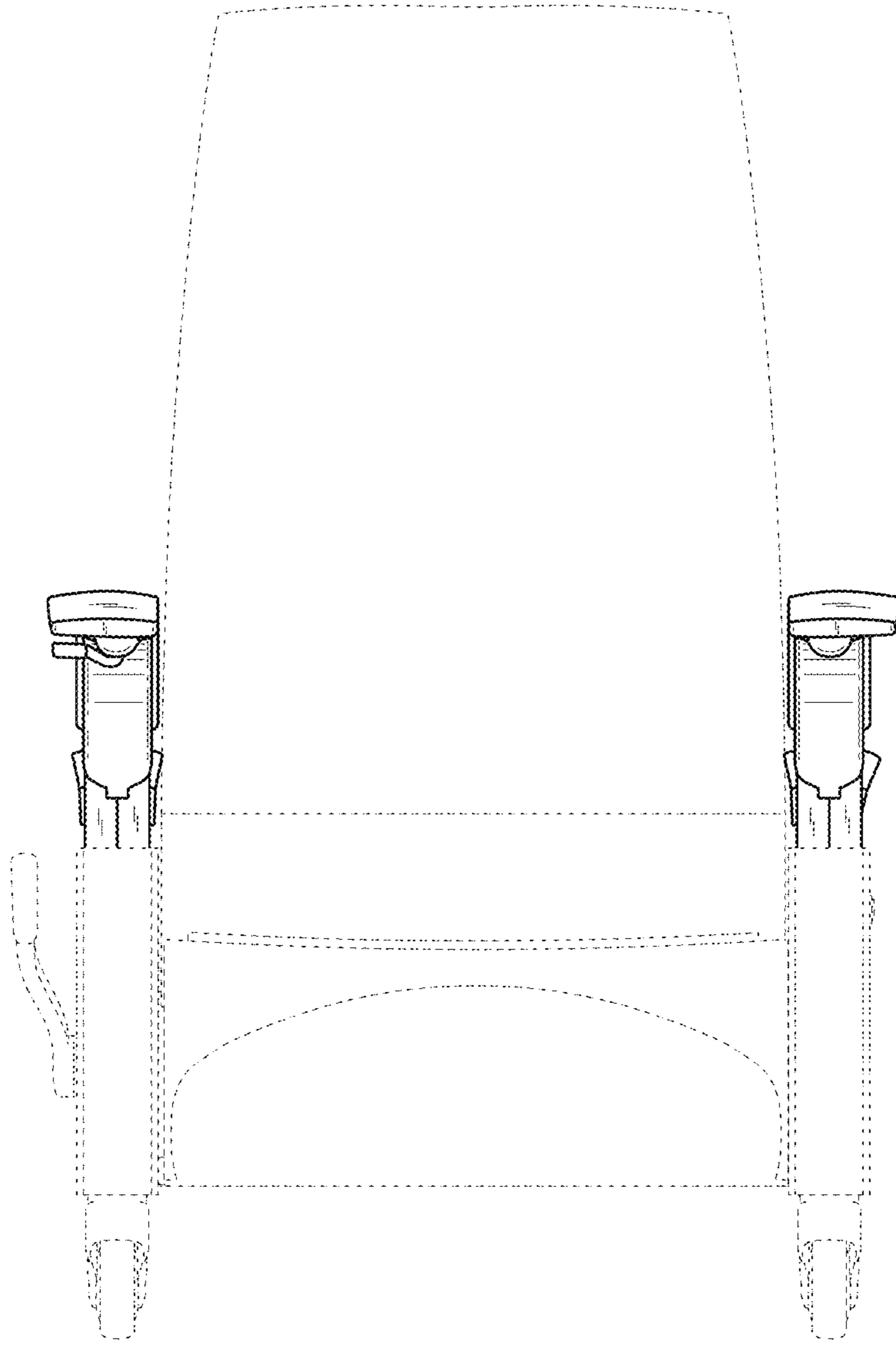
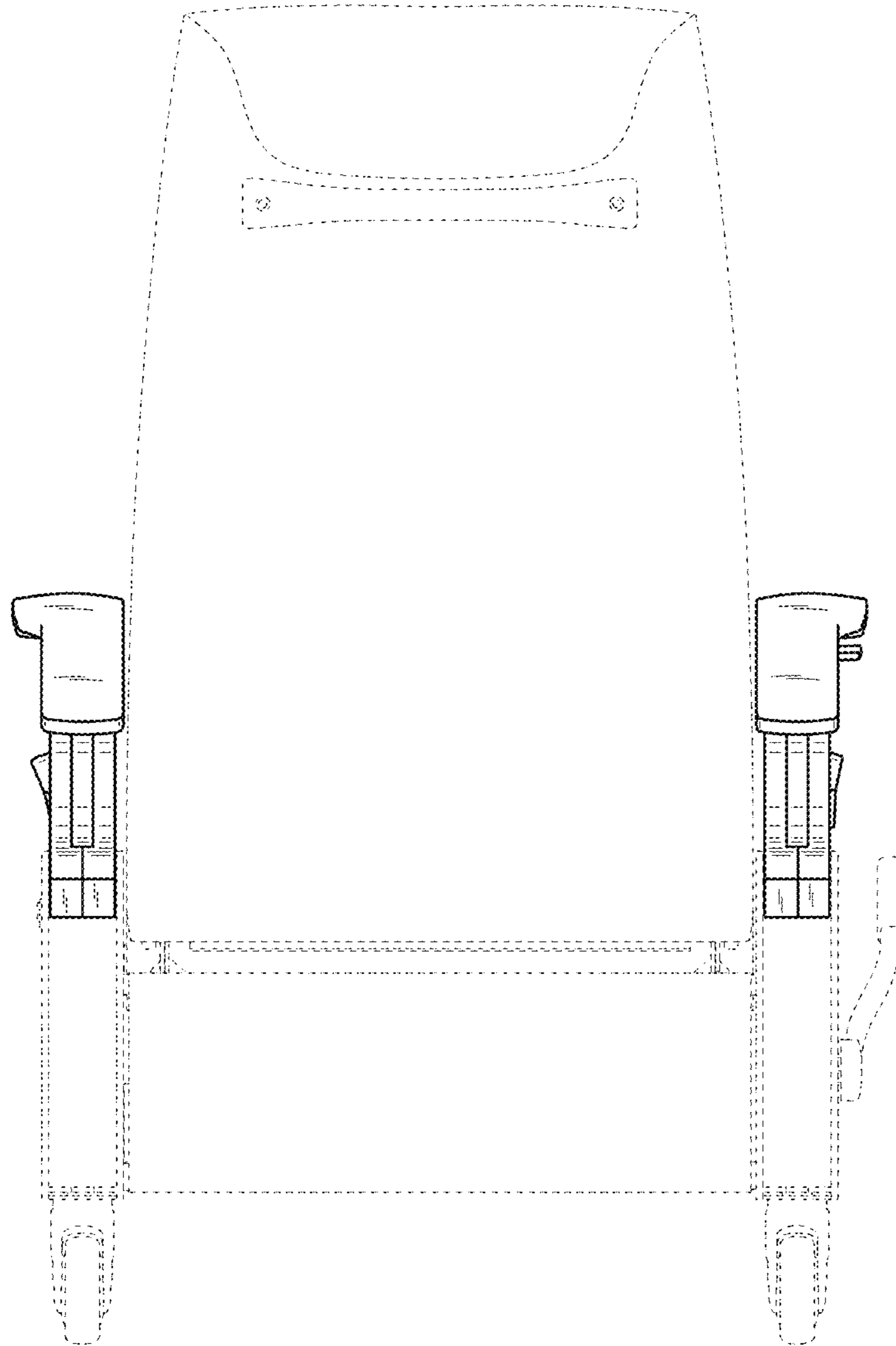


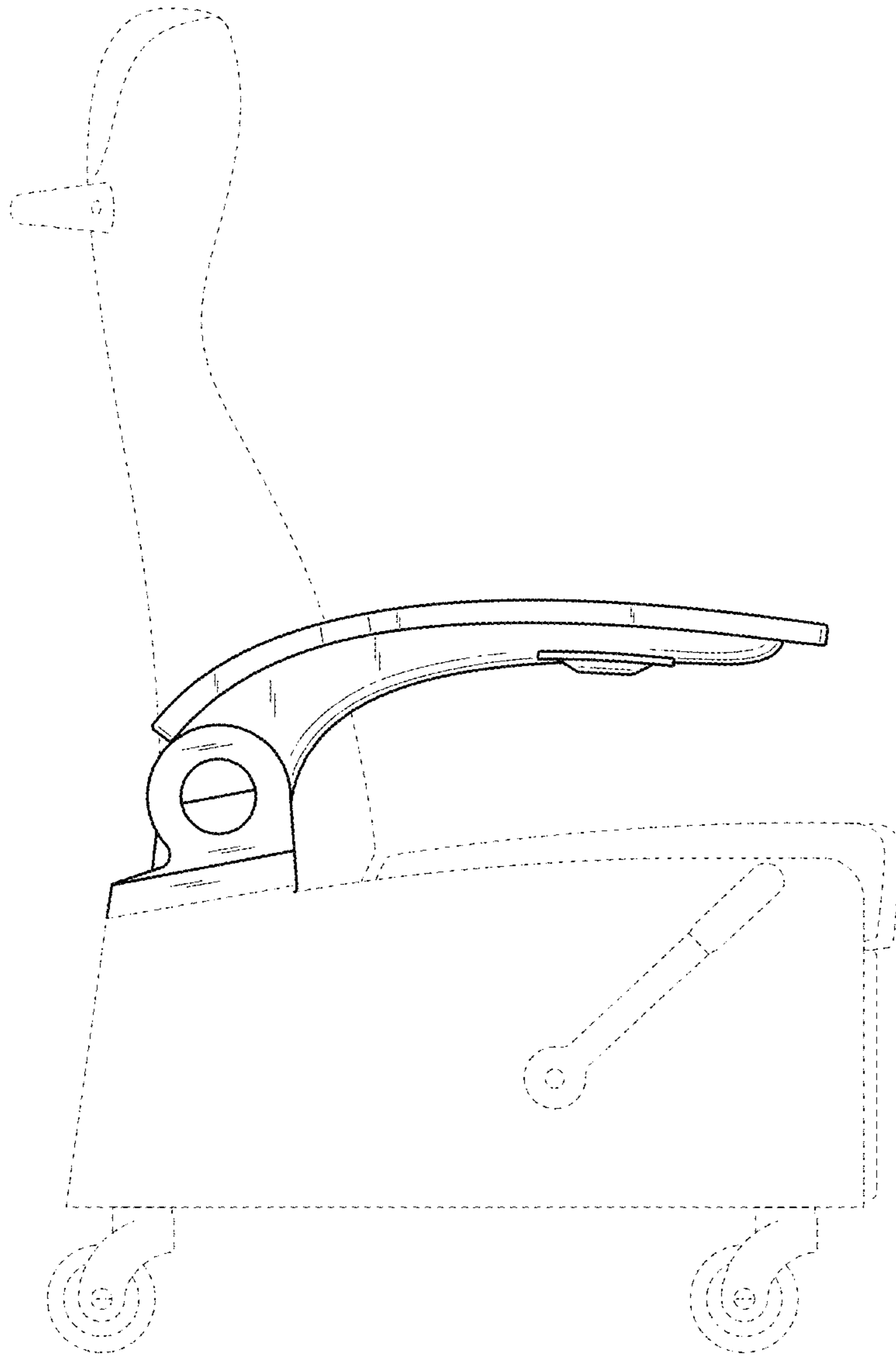
Fig. 1



**Fig. 2**



**Fig. 3**



**Fig. 4**

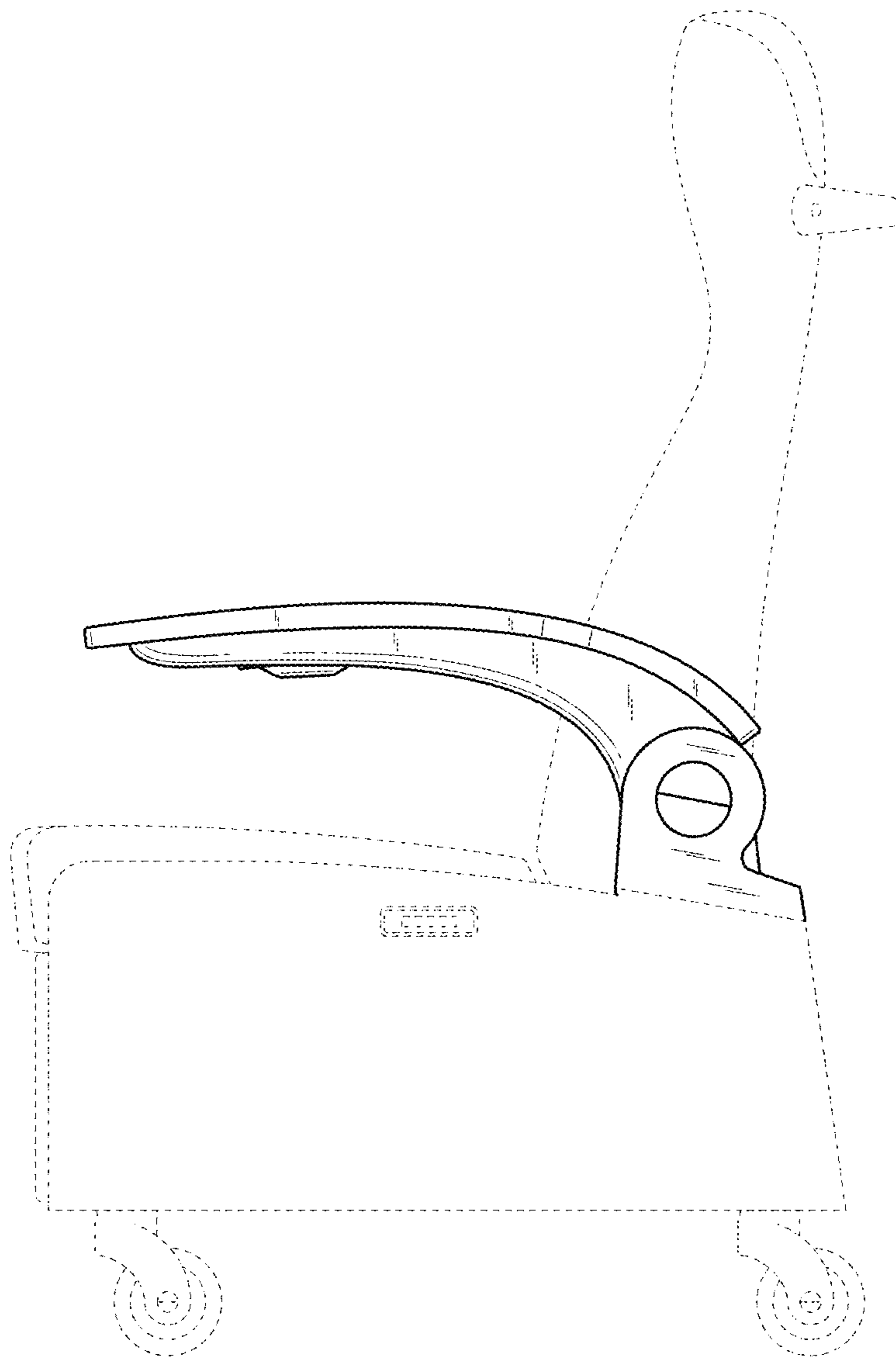
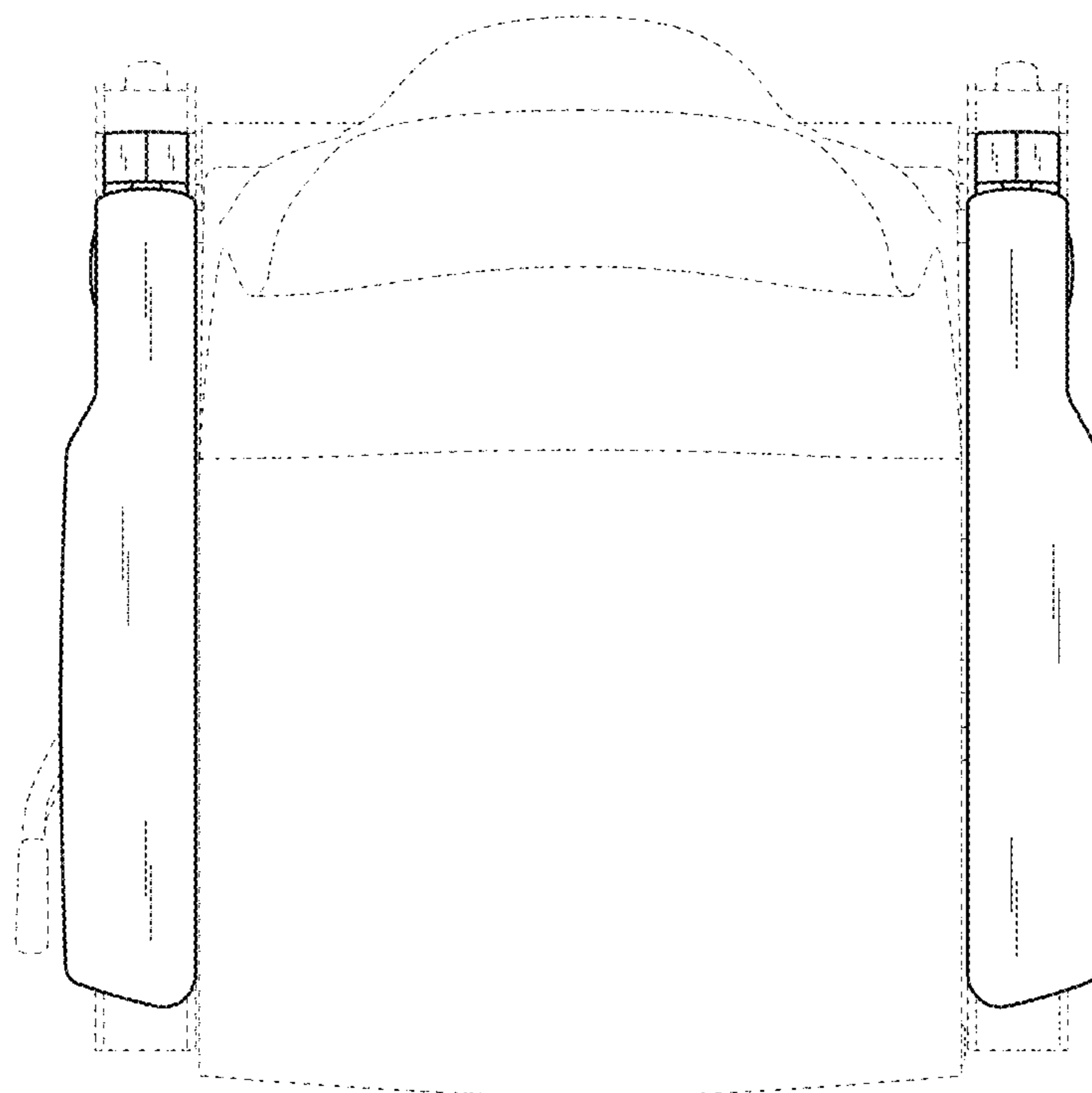
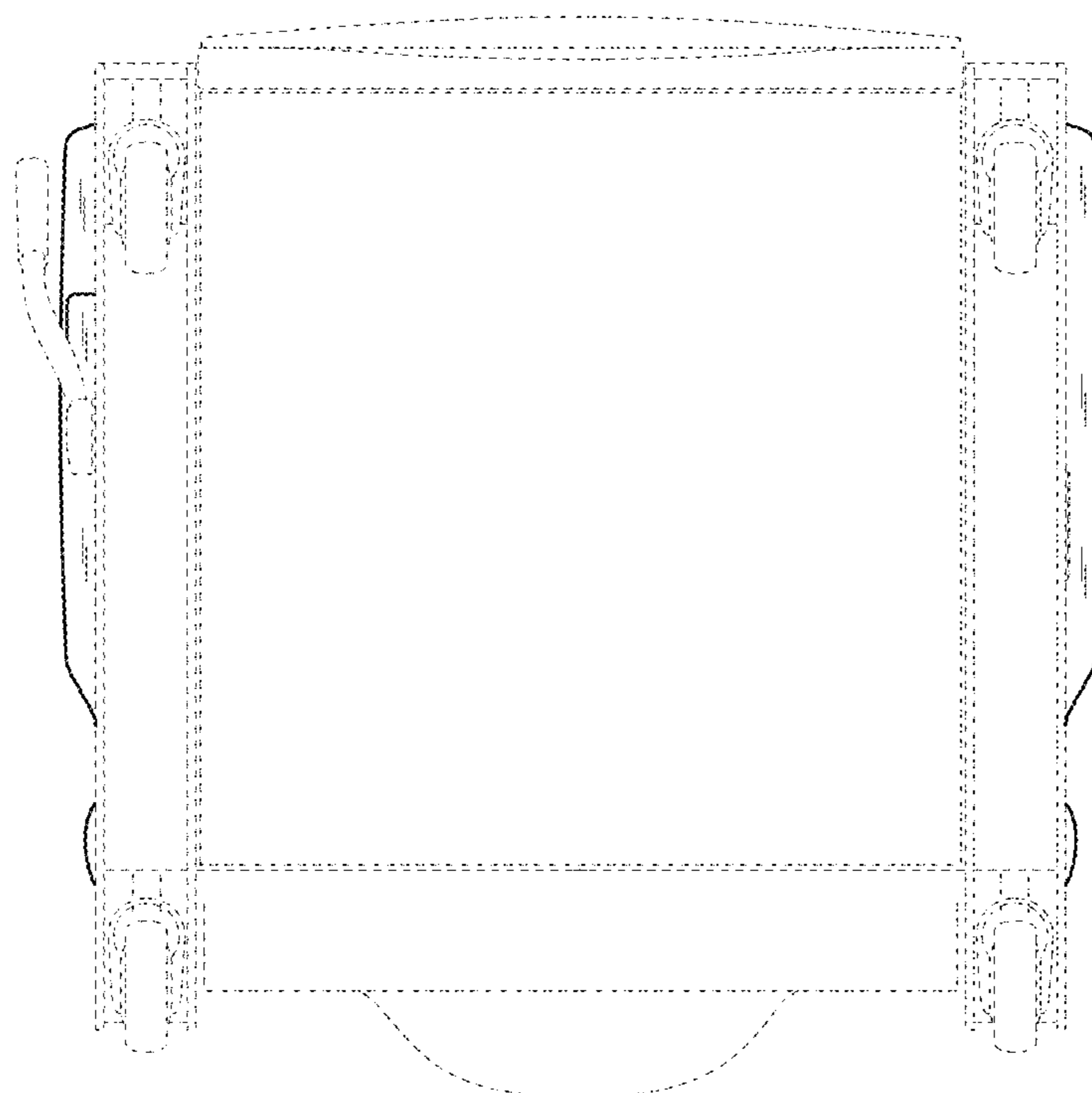


Fig. 5





**Fig. 6**



**Fig. 7**



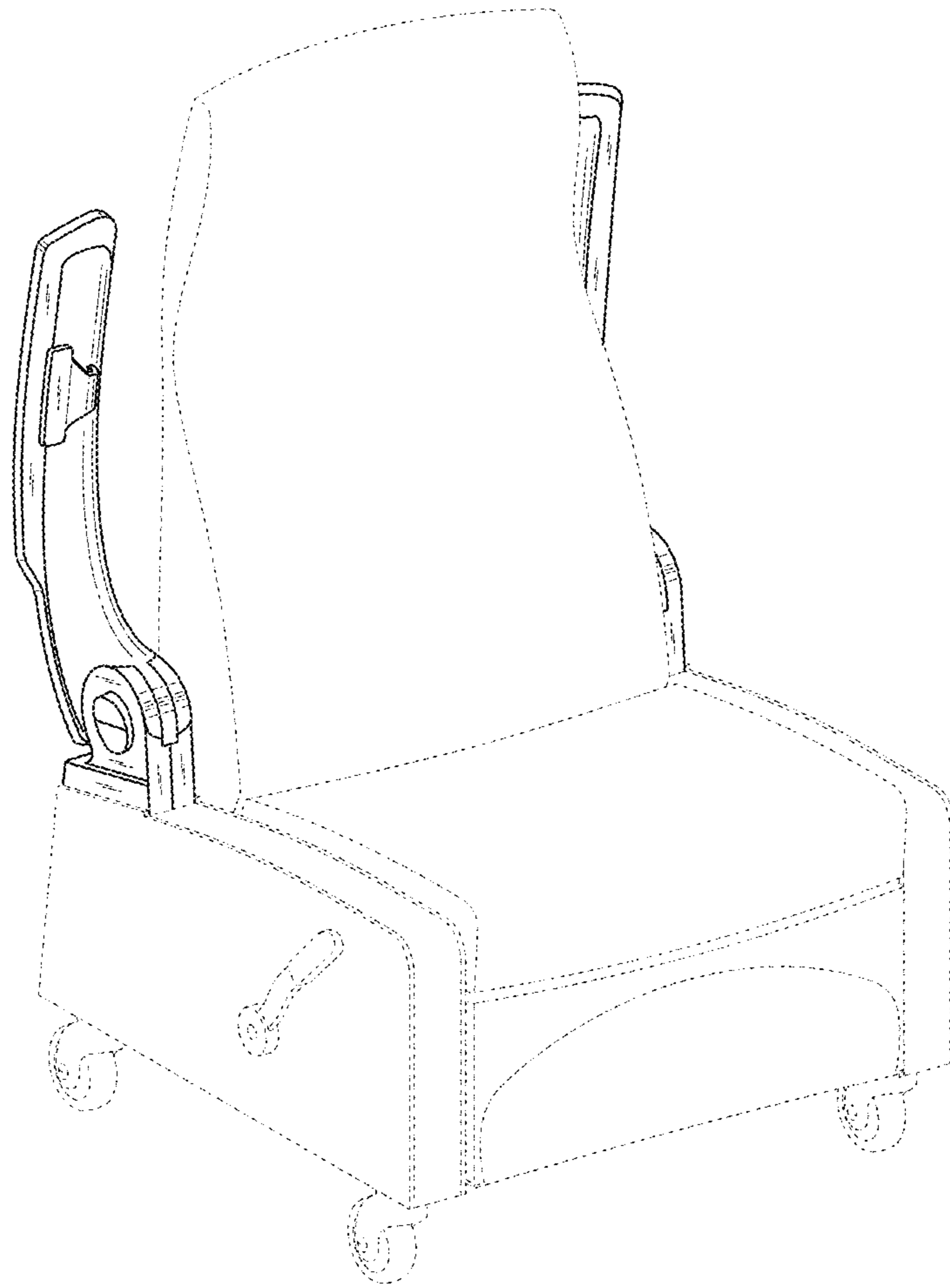
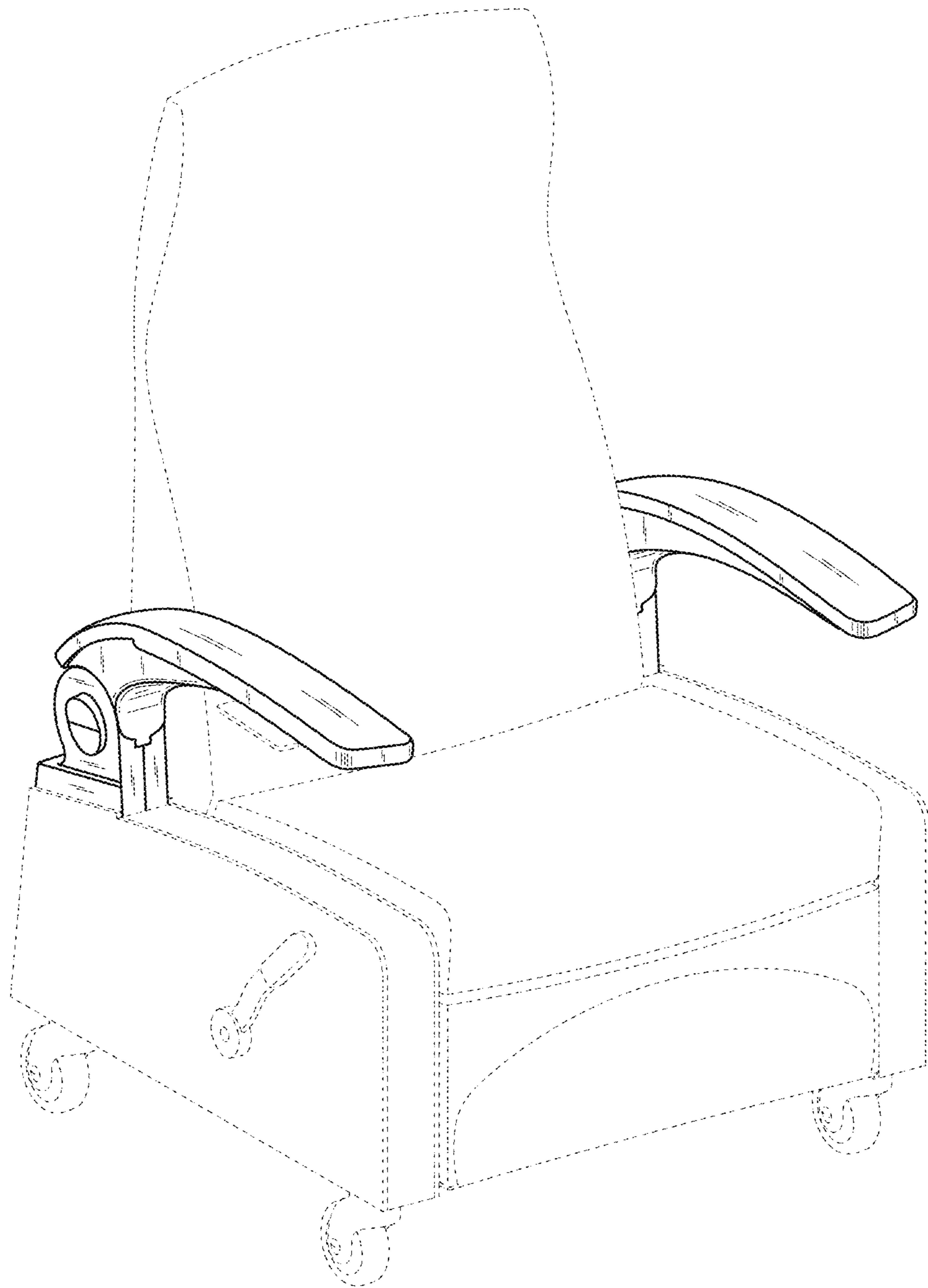
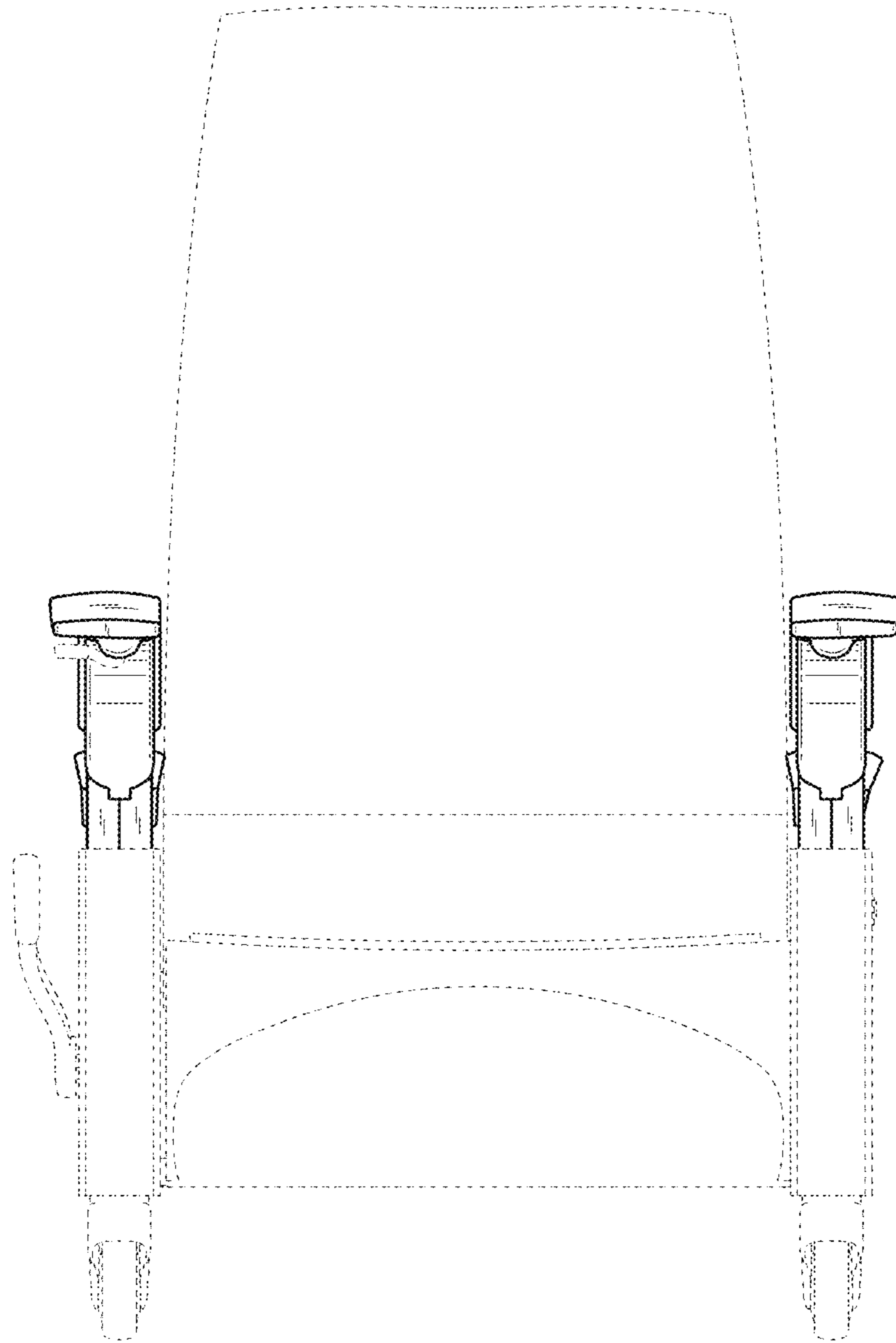


Fig. 8



**Fig. 9**



**Fig. 10**

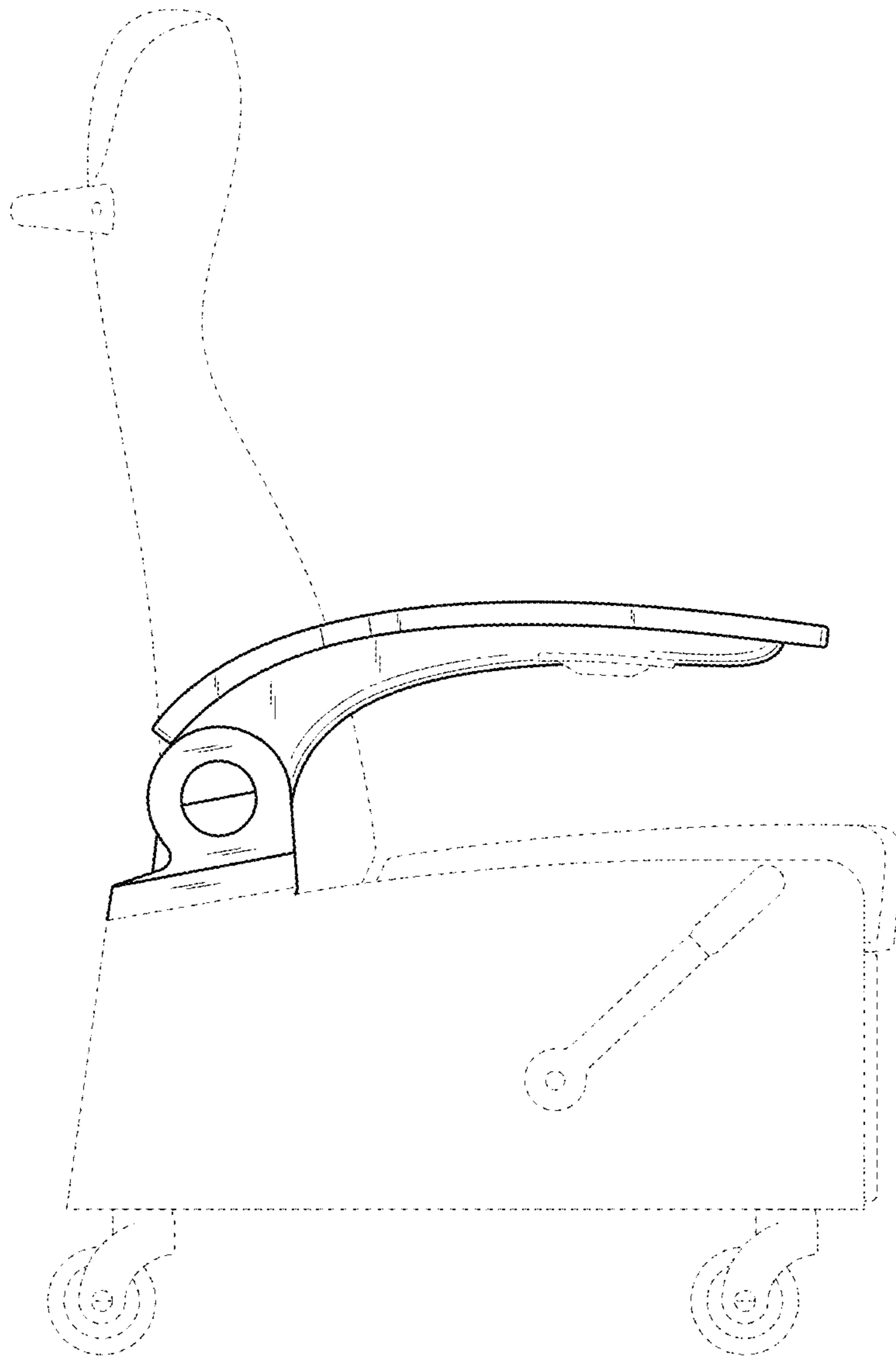
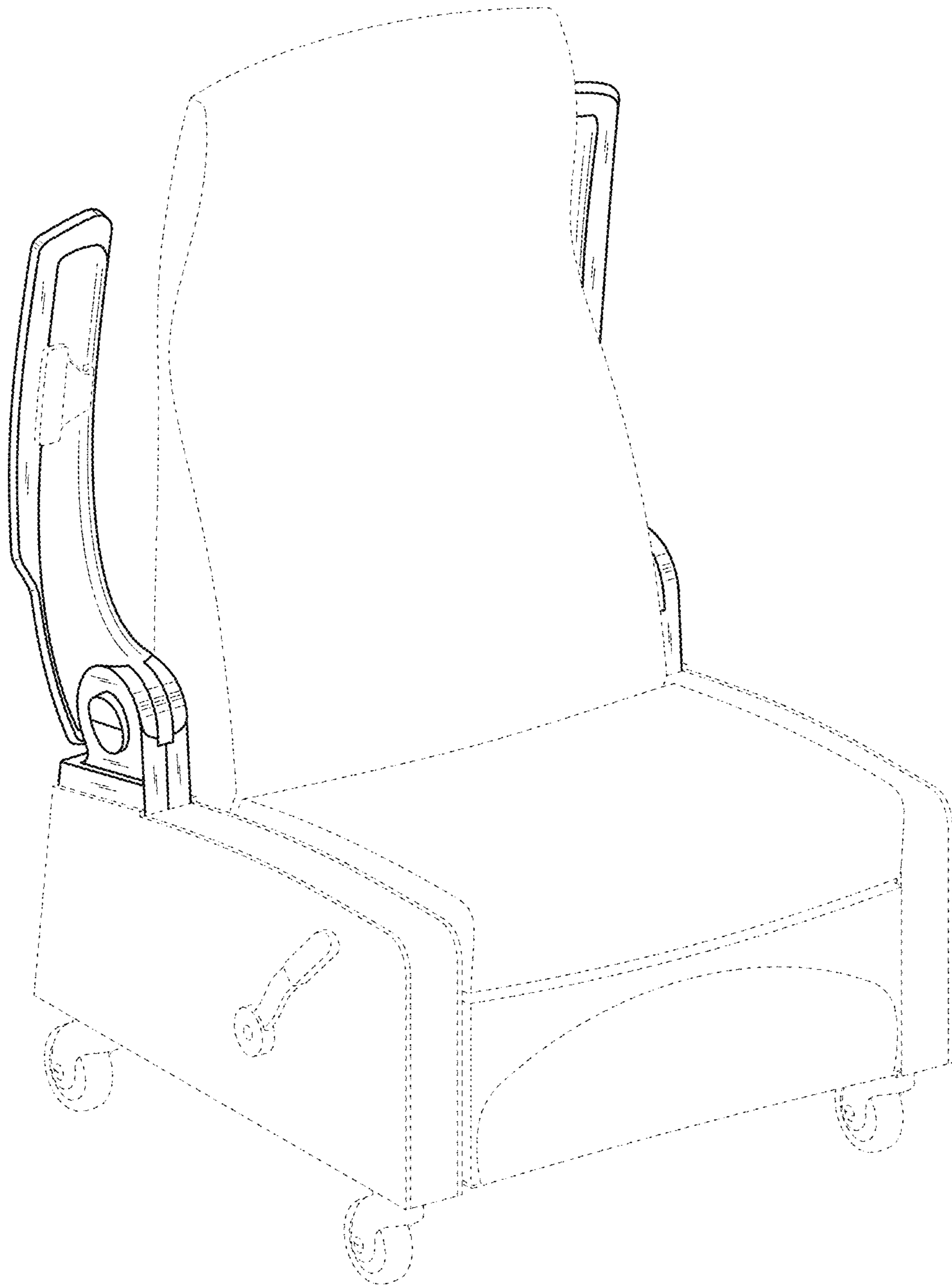


Fig. 11



**Fig. 12**