



US00D770940S

(12) **United States Design Patent** (10) **Patent No.:** **US D770,940 S**
Taylor et al. (45) **Date of Patent:** **** Nov. 8, 2016**

(54) **UNMANNED AERIAL VEHICLE**

(71) Applicant: **Rapid Unmanned Aerial Systems, LLC.**, Myakka City, FL (US)

(72) Inventors: **Alan Taylor**, Myakka City, FL (US); **Matthew Dressig**, Myakka City, FL (US); **Tony Teav**, Myakka City, FL (US)

(73) Assignee: **Rapid Unmanned Aerial System, LLC.**, Myakka City, FL (US)

(**) Term: **14 Years**

(21) Appl. No.: **29/490,663**

(22) Filed: **May 12, 2014**

(51) **LOC (10) Cl.** **12-07**

(52) **U.S. Cl.**
USPC **D12/16.1**

(58) **Field of Classification Search**
USPC D12/16.1, 19, 322, 323, 326, 327, 328, D12/329, 330, 339, 341, 342, 343, 344; D21/436, 438, 439, 440, 441, 446, 447, D21/448, 449, 450, 453
CPC B64C 39/00; B64C 30/00; B64C 29/00; B64C 5/06
See application file for complete search history.

(56) **References Cited**

U.S. PATENT DOCUMENTS

3,053,480	A *	9/1962	Vanderlip	B64C 27/54 244/17.13
4,913,377	A *	4/1990	Eickmann	B64C 29/00 244/17.11
D311,514	S *	10/1990	Sano	D12/319
5,352,090	A *	10/1994	Churchill	G01B 17/04 416/34
D458,892	S *	6/2002	DeTore	D12/319
D465,196	S *	11/2002	Dammar	D12/328
D628,658	S *	12/2010	Wurm	D21/442
D648,808	S *	11/2011	Seydoux	D21/441

(Continued)

OTHER PUBLICATIONS

Unmanned System Technology by Caroline Rees dated Mar. 10, 2015. found online [Jan. 29, 2016] <http://www.unmannedsystemstechnology.com/2015/03/rapid-composites-develops-amphibious-uas/>.*

(Continued)

Primary Examiner — Robert M Spear

Assistant Examiner — Marissa J Cash

(74) *Attorney, Agent, or Firm* — Frijouf, Rust & Pyle, P.A.

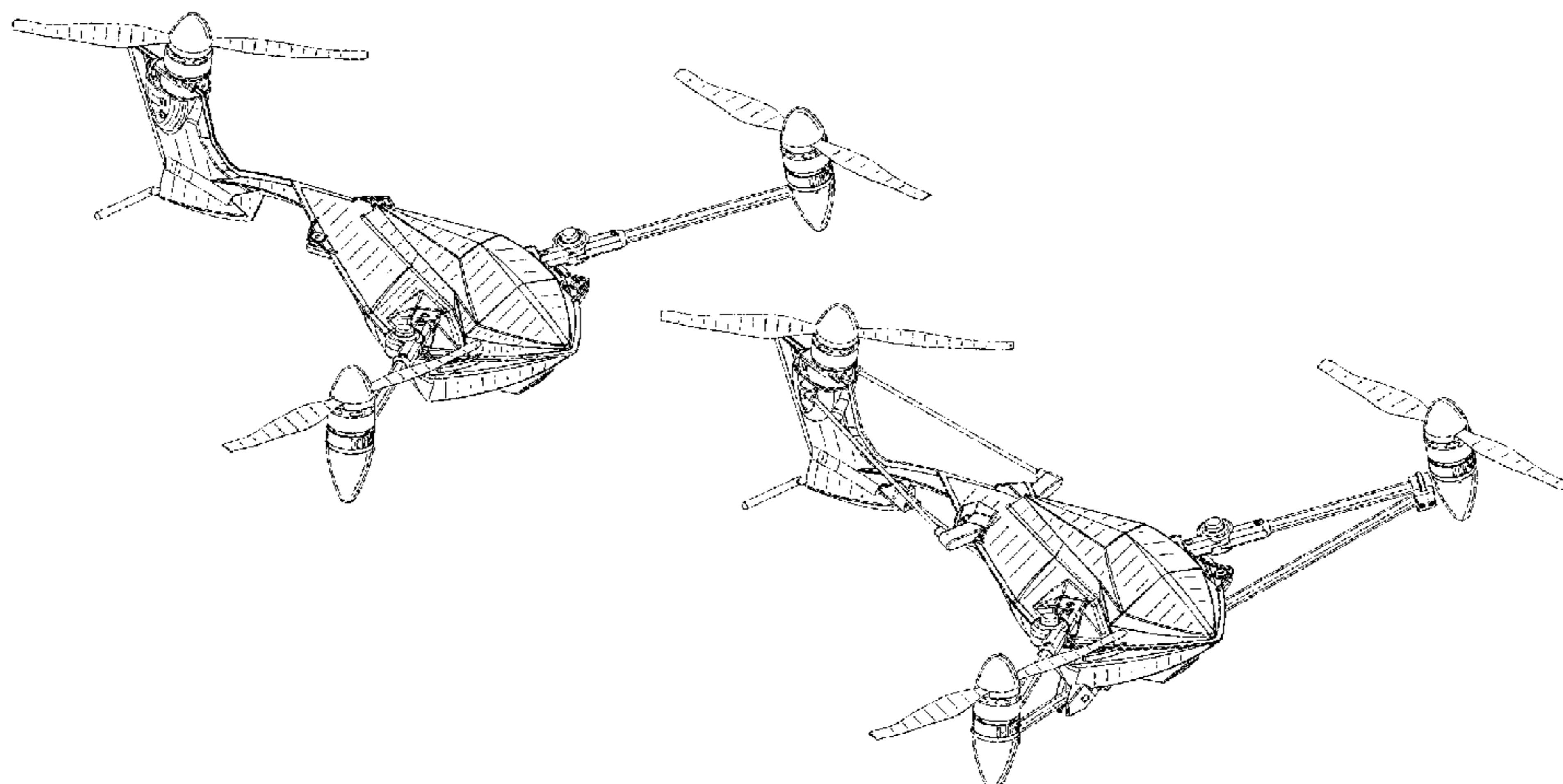
(57) **CLAIM**

The ornamental design for a unmanned aerial vehicle, as shown and described.

DESCRIPTION

FIG. 1 is an upper front perspective view of our new design for an unmanned aerial vehicle;
FIG. 2 is a lower front perspective view of FIG. 1;
FIG. 3 is a front view of FIG. 1;
FIG. 4 is a rear view of FIG. 1;
FIG. 5 is a top view of FIG. 3;
FIG. 6 is a bottom view of FIG. 3;
FIG. 7 is a left side view of FIG. 3;
FIG. 8 is a right side view of FIG. 3;
FIG. 9 is an upper front perspective view of a second embodiment showing our new design for an unmanned aerial vehicle;
FIG. 10 is a lower front perspective view of FIG. 9;
FIG. 11 is a front view of FIG. 9;
FIG. 12 is a rear view of FIG. 9;
FIG. 13 is a top view of FIG. 11;
FIG. 14 is a bottom view of FIG. 11;
FIG. 15 is a left side view of FIG. 11; and,
FIG. 16 is a right side view of FIG. 11.

1 Claim, 8 Drawing Sheets



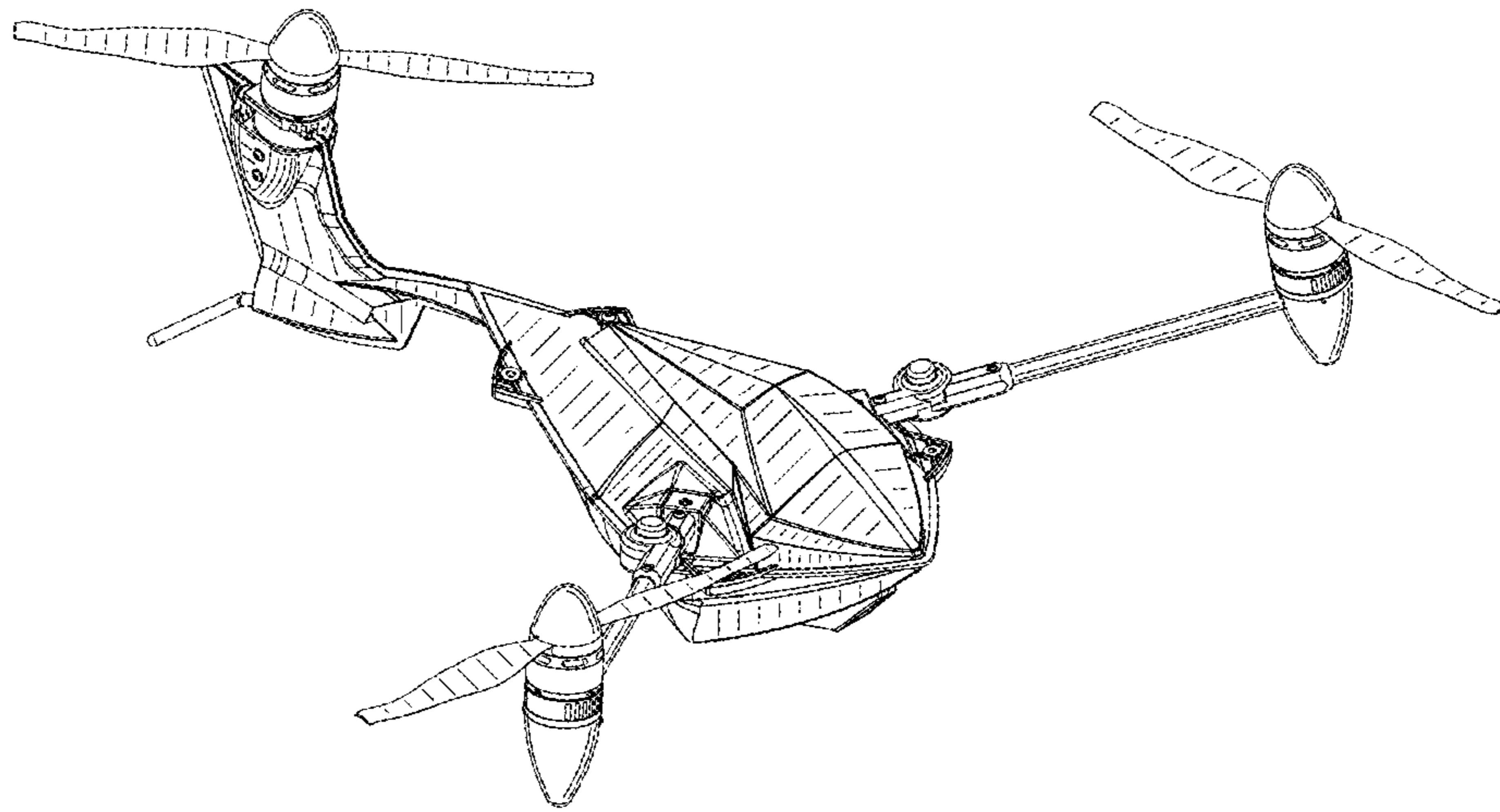


FIG. 1

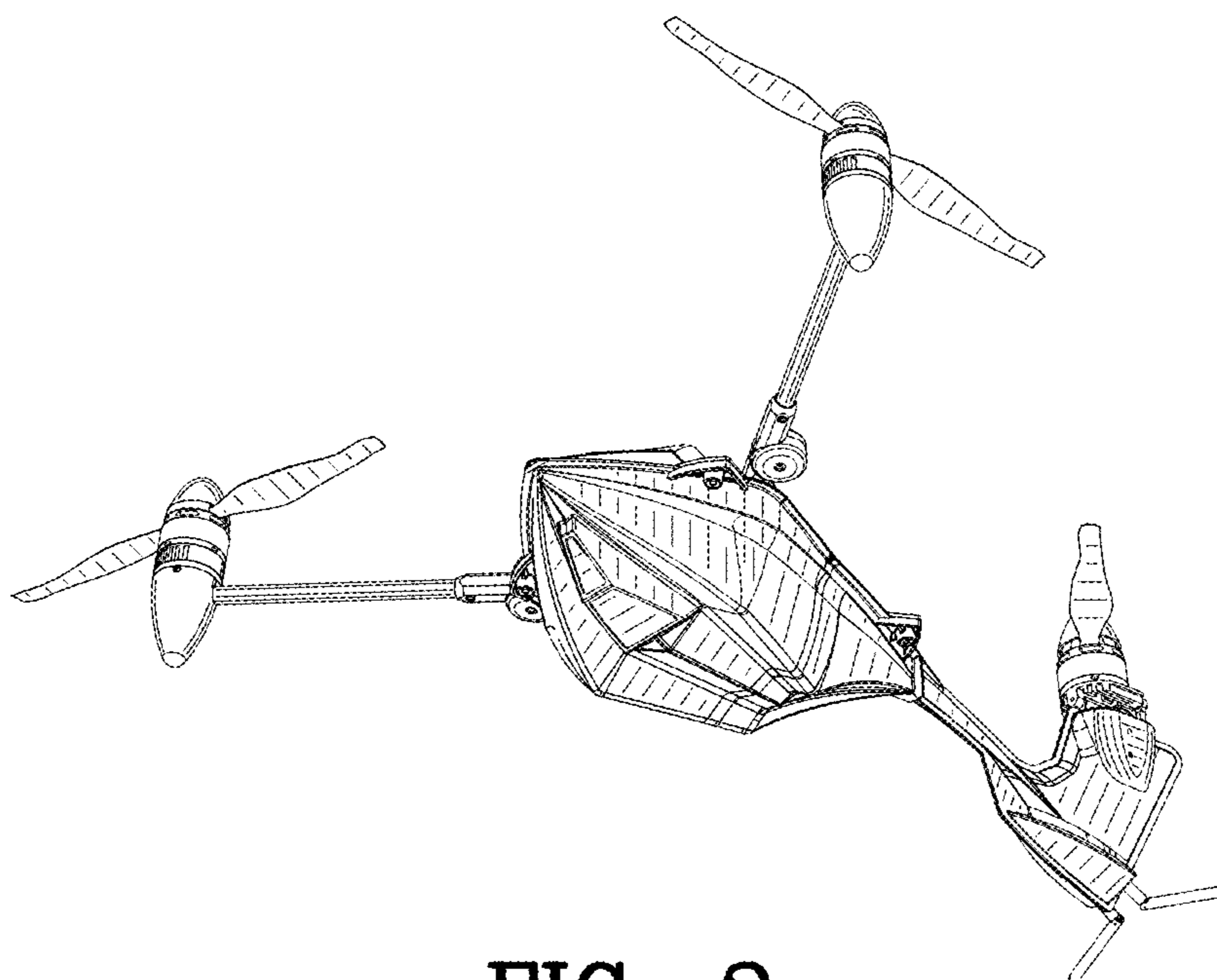


FIG. 2

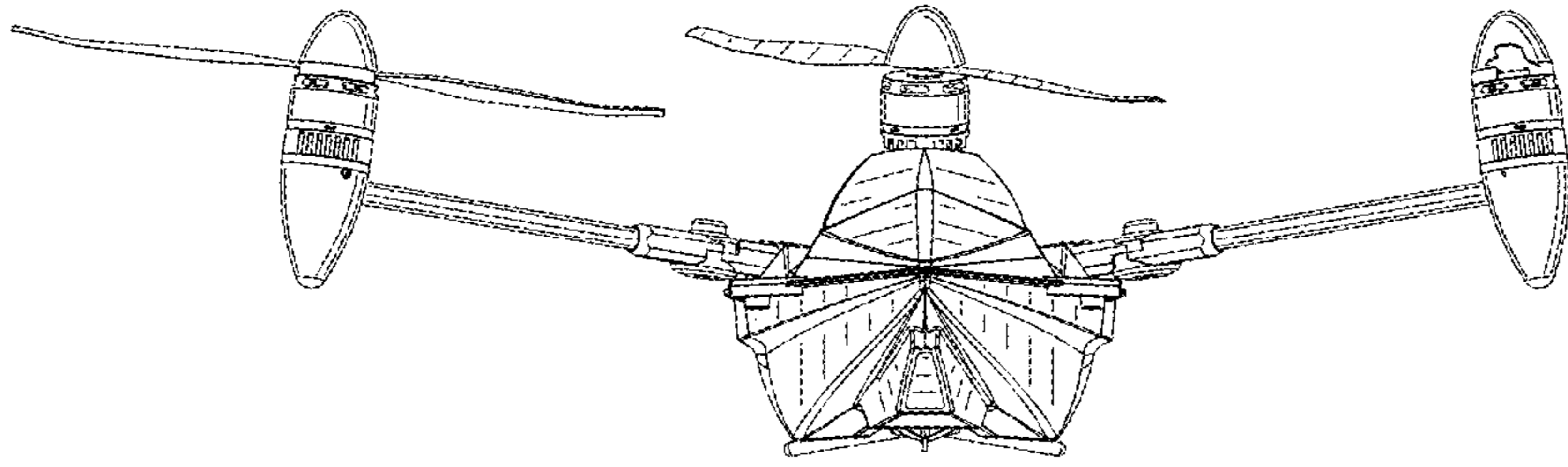


FIG. 3

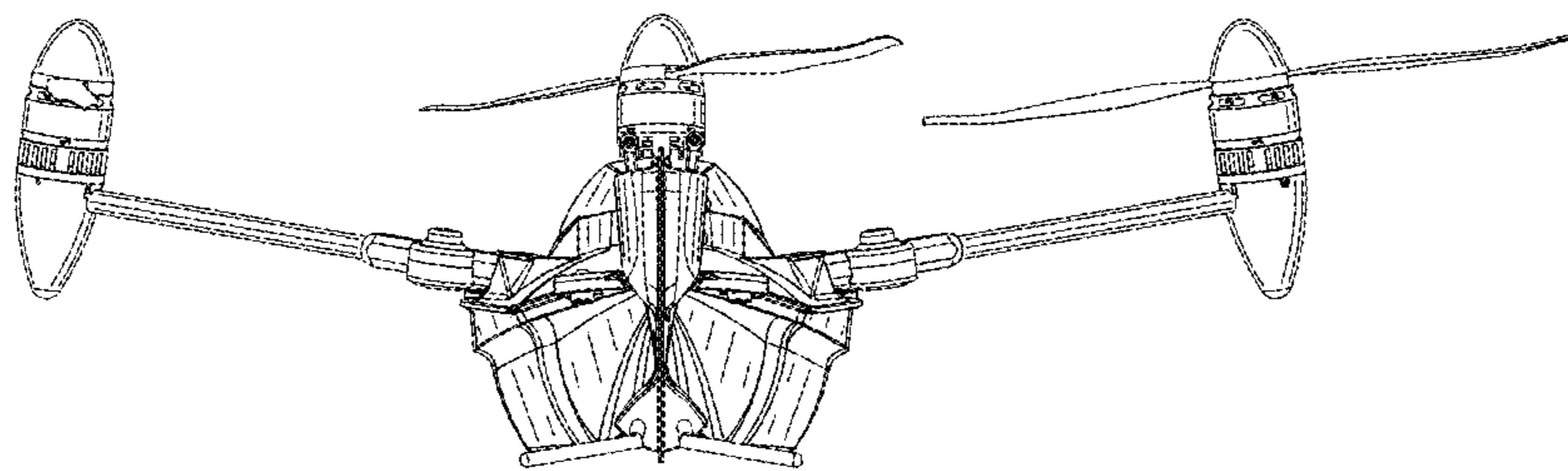


FIG. 4

FIG. 5

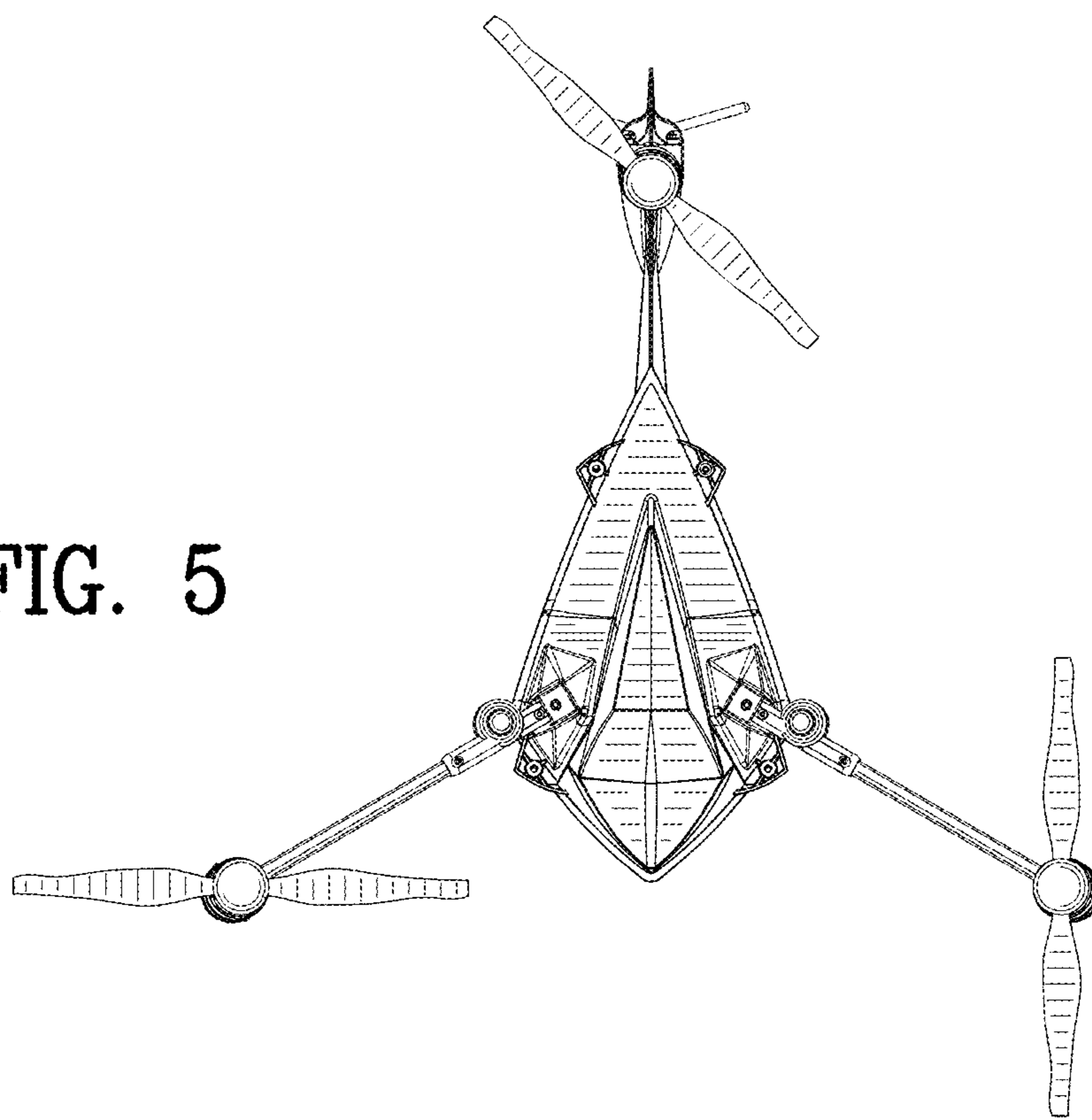
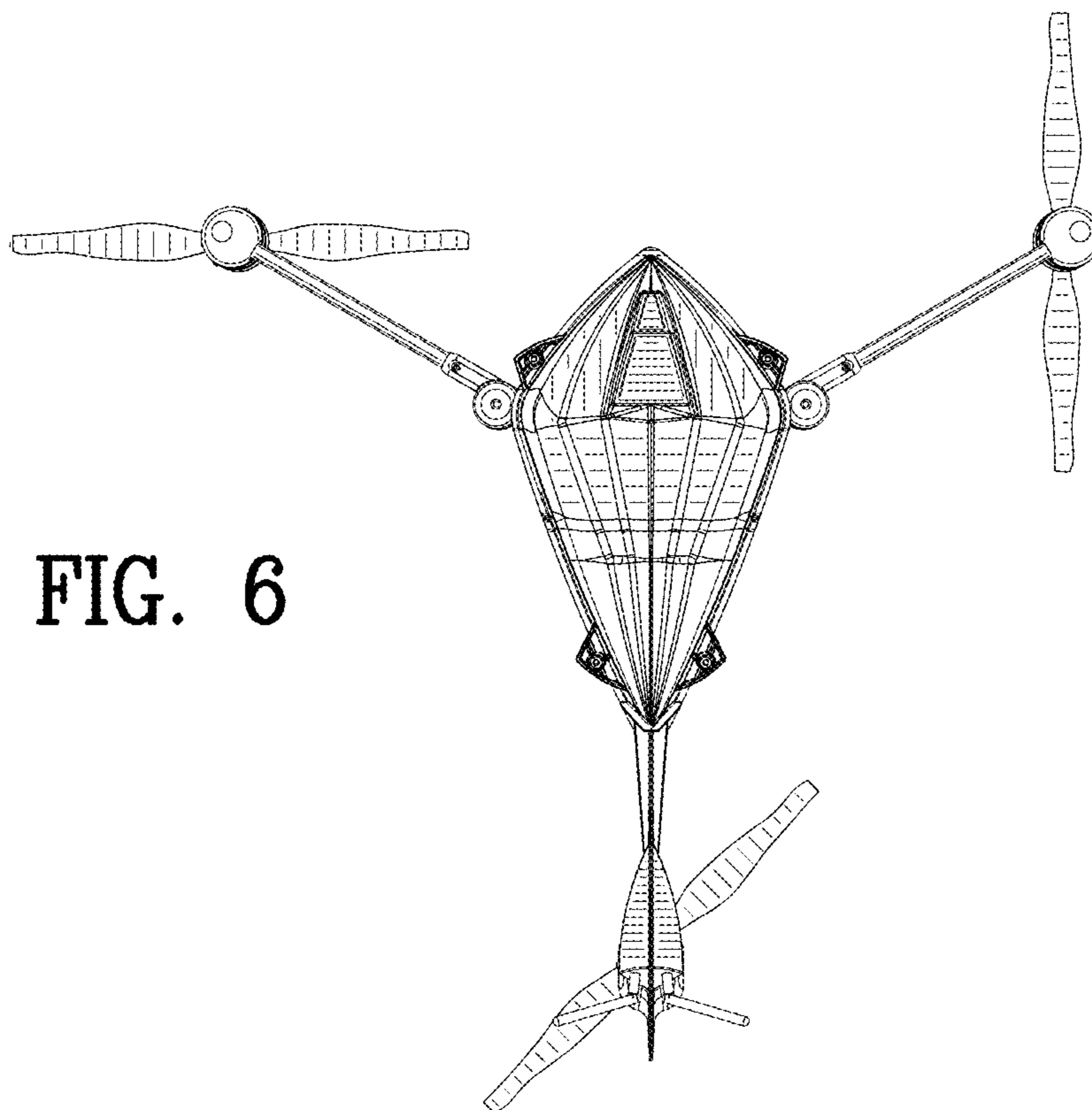


FIG. 6



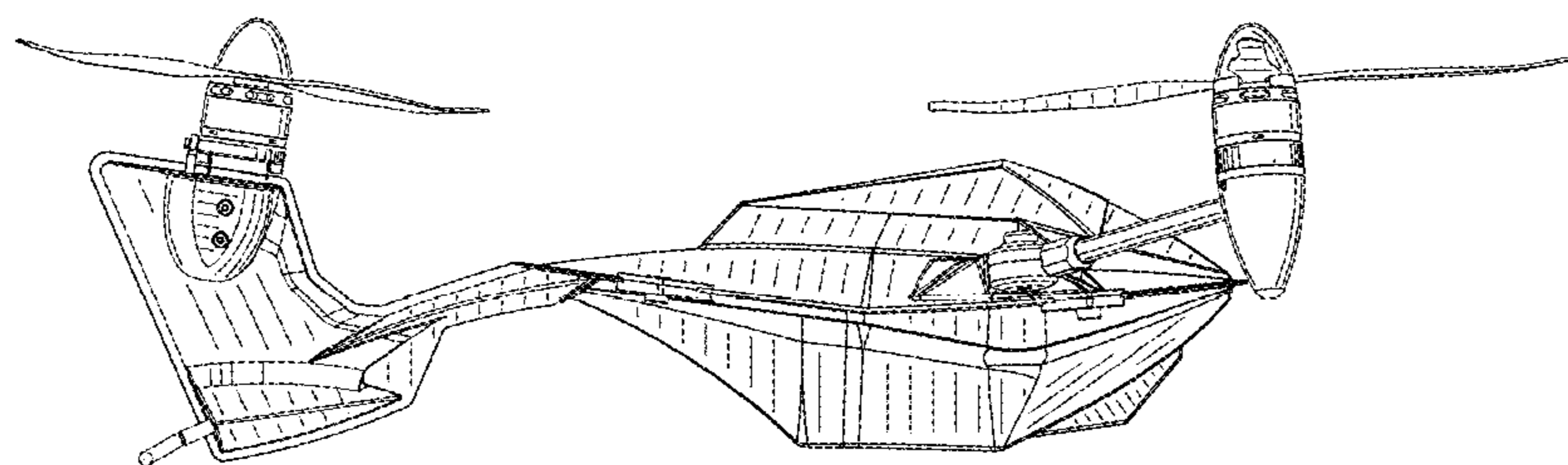


FIG. 7

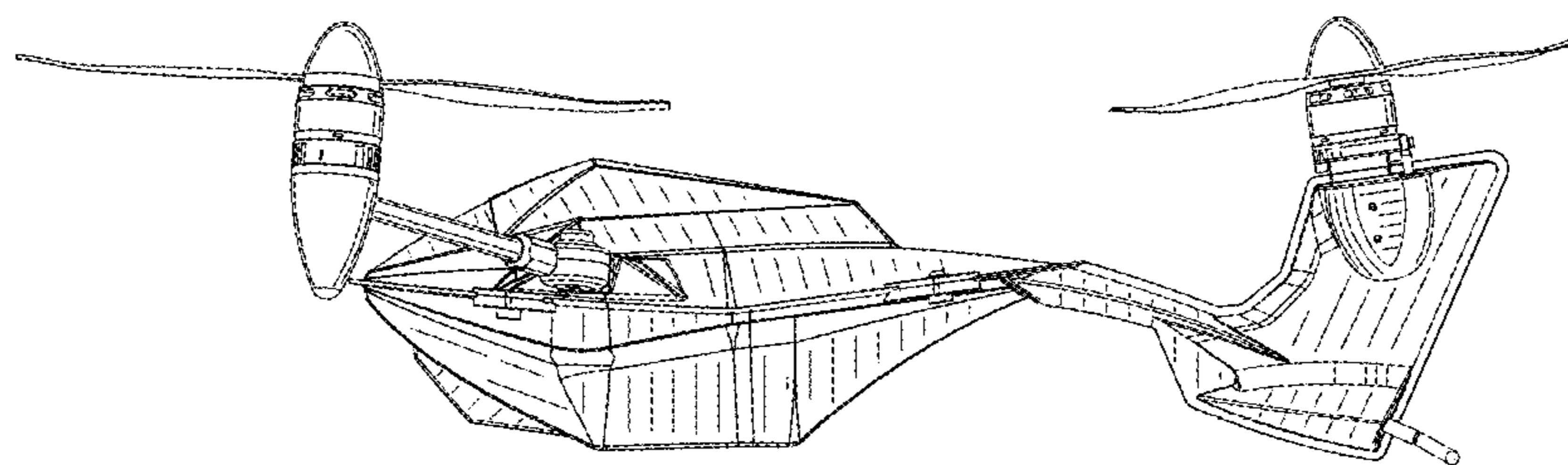


FIG. 8

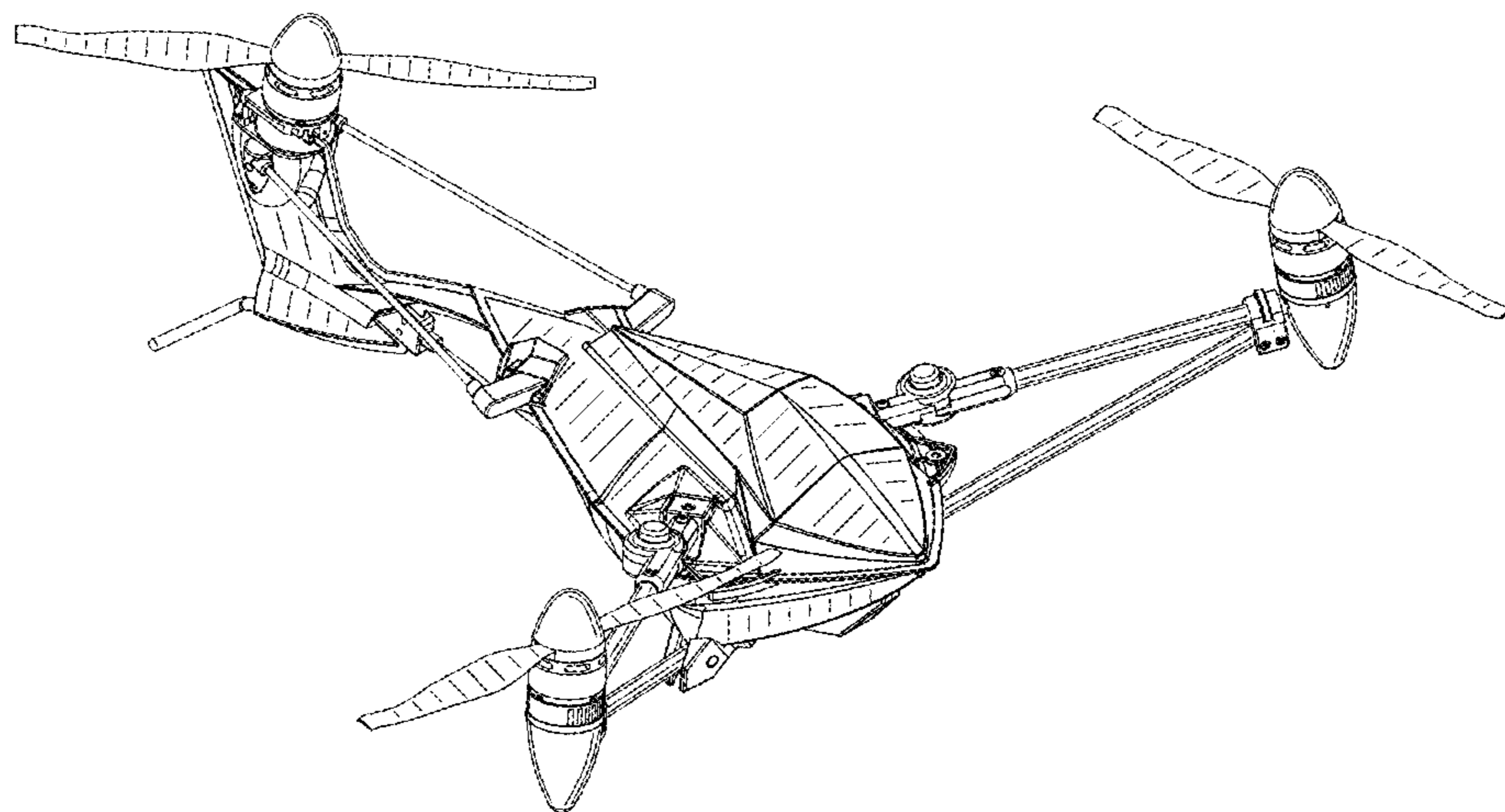


FIG. 9

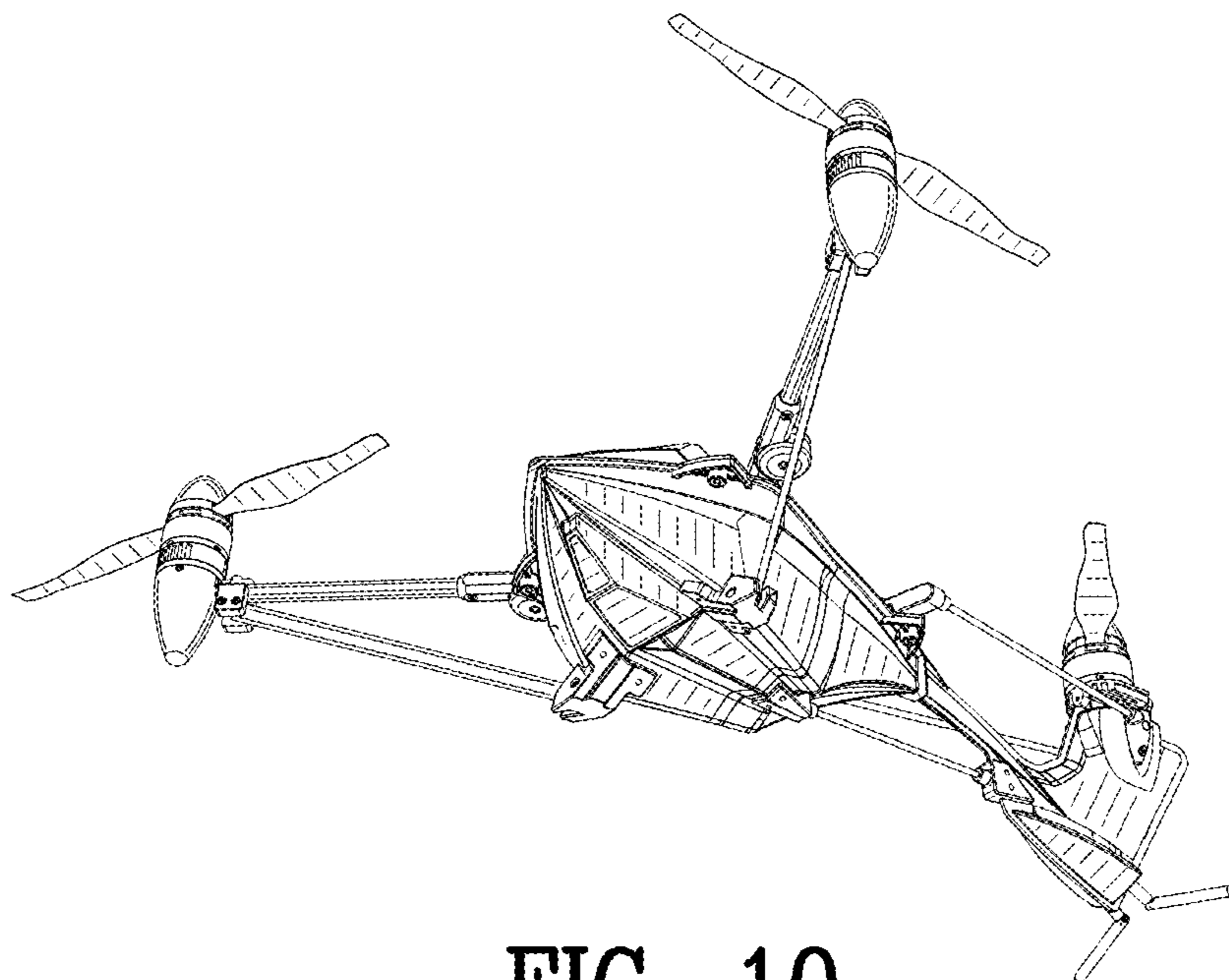


FIG. 10

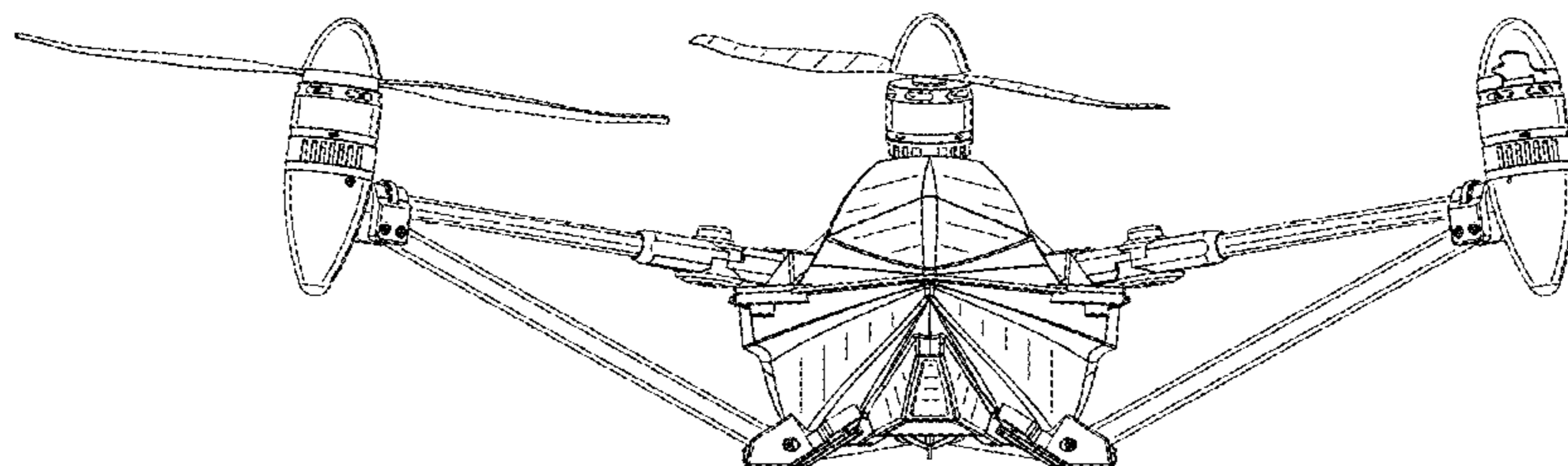


FIG. 11

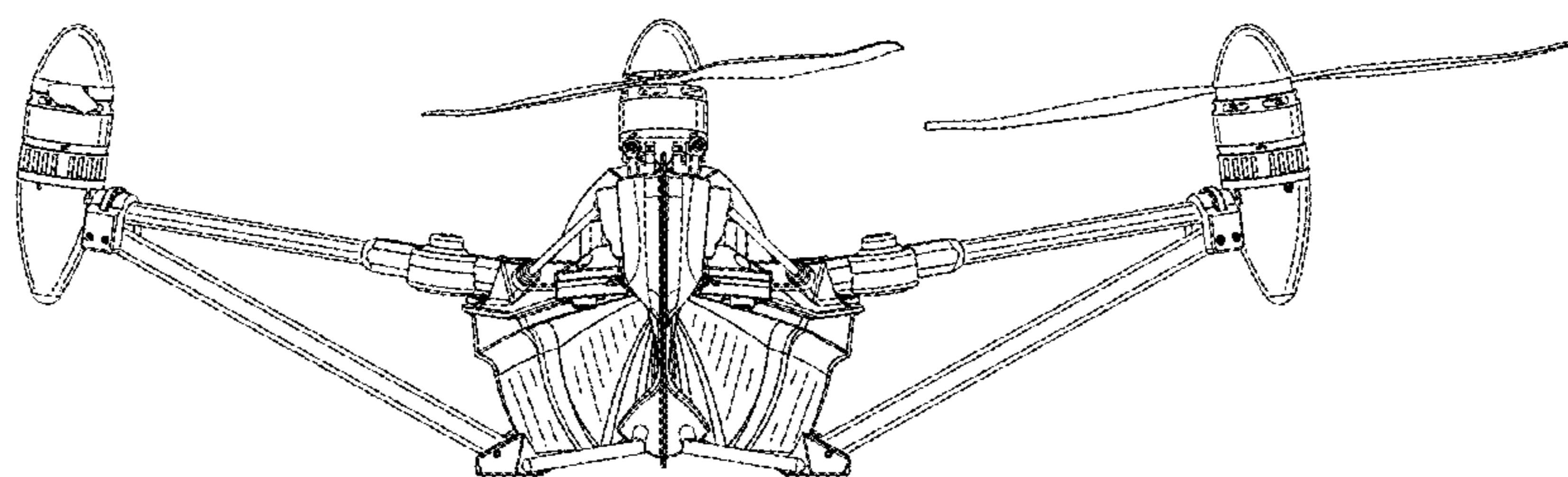


FIG. 12

FIG. 13

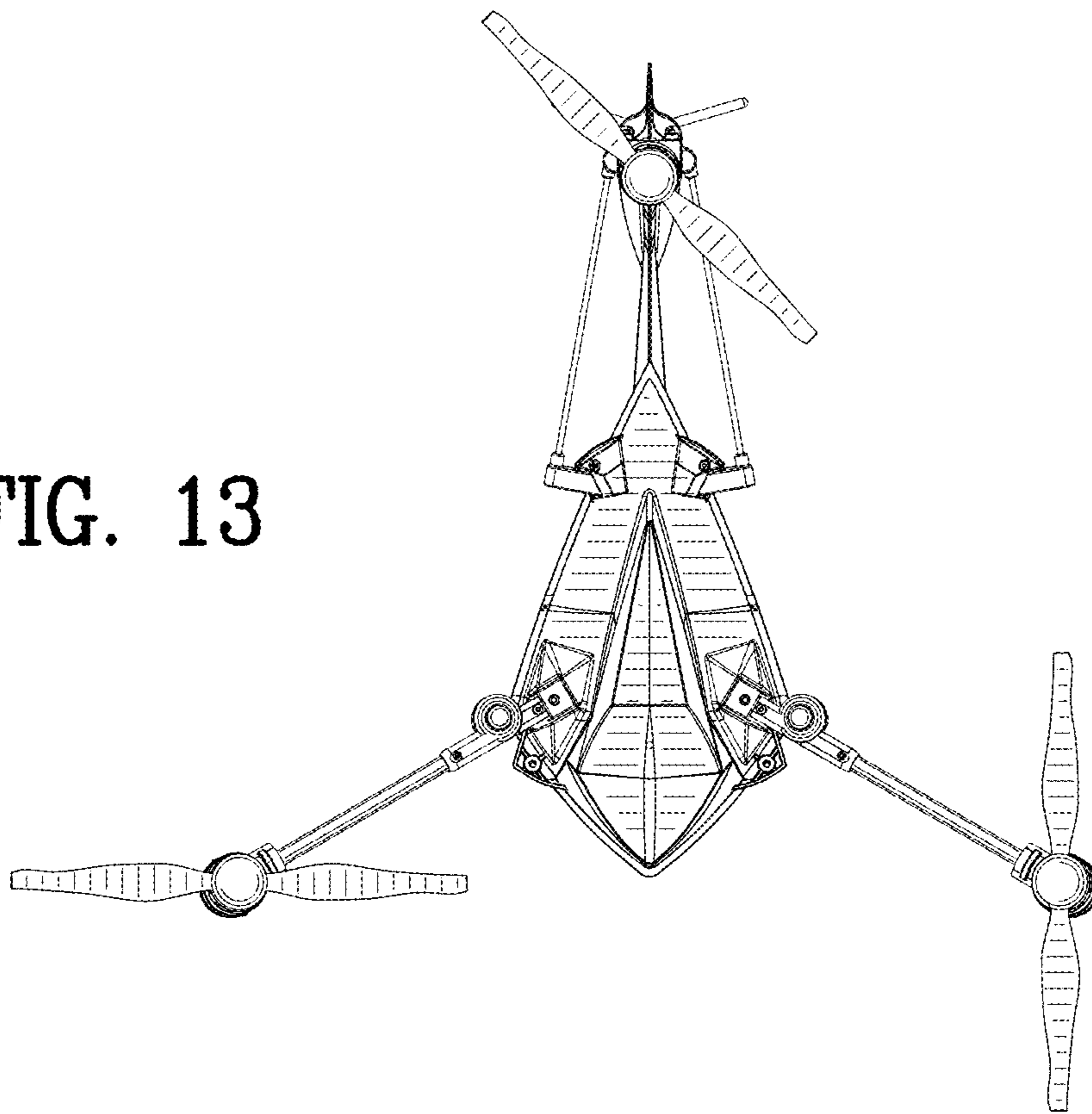
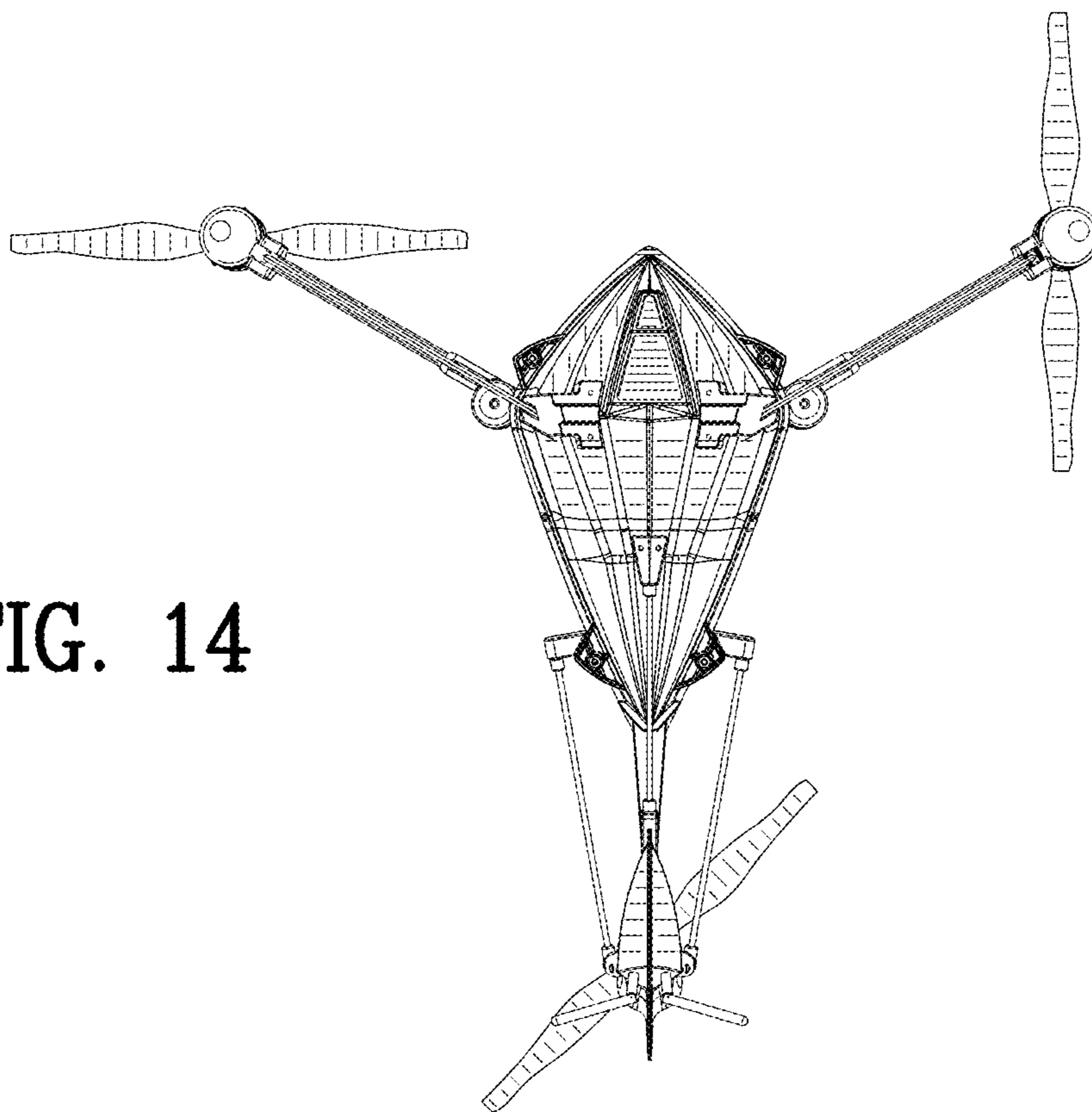


FIG. 14



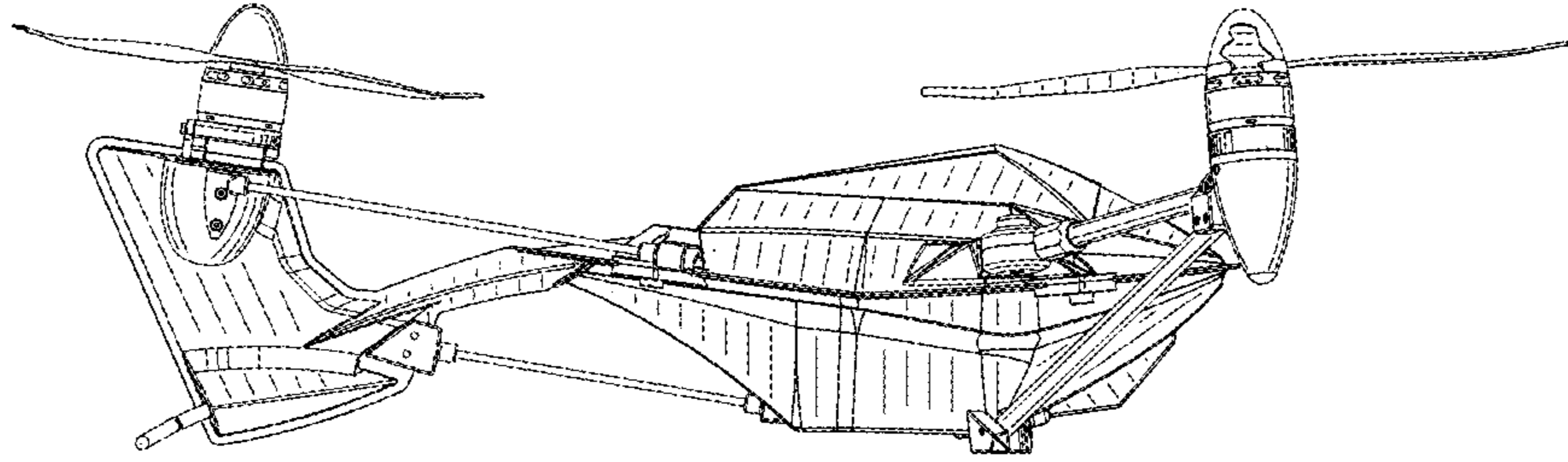


FIG. 15

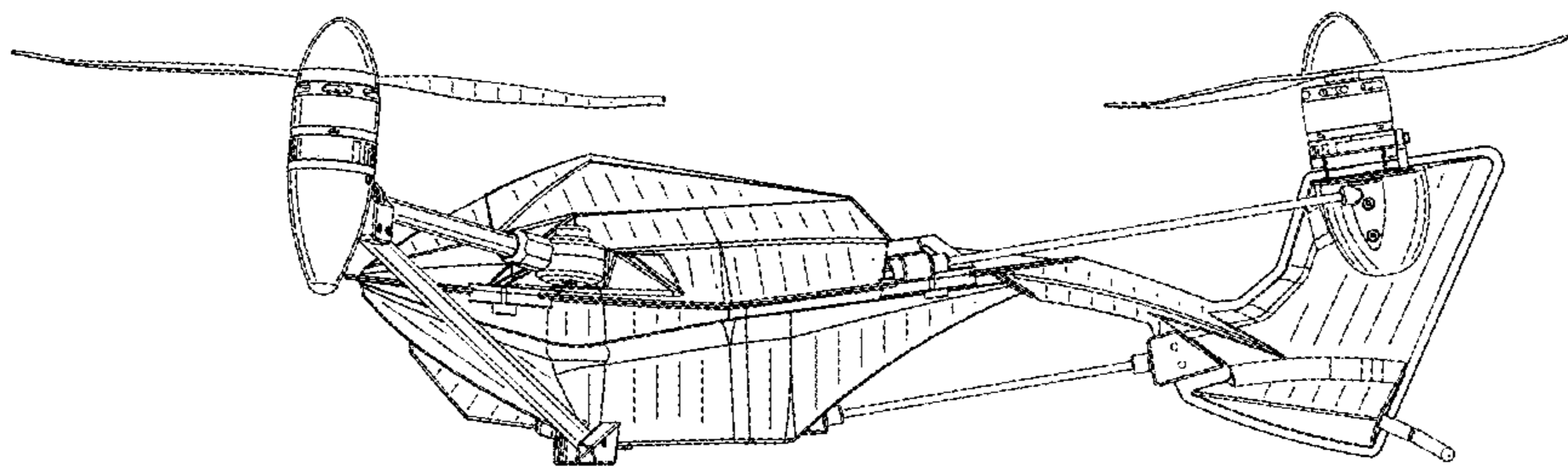


FIG. 16