



US00D770933S

(12) **United States Design Patent** (10) **Patent No.:** **US D770,933 S**
Matysik (45) **Date of Patent:** **** Nov. 8, 2016**

(54) **INTERCHANGEABLE MILITARY INSIGNIA PLATE SET**

(71) Applicant: **Michael Matysik**, Pewaukee, WI (US)

(72) Inventor: **Michael Matysik**, Pewaukee, WI (US)

(**) Term: **15 Years**

(21) Appl. No.: **29/529,065**

(22) Filed: **Jun. 3, 2015**

Related U.S. Application Data

(63) Continuation-in-part of application No. 14/091,566, filed on Nov. 27, 2013, now abandoned.

(51) **LOC (10) Cl.** **11-01**

(52) **U.S. Cl.**
USPC **D11/86**

(58) **Field of Classification Search**
USPC D11/1-2, 7, 40-44, 46-49, 53, 56, 57, D11/59-61, 63, 65, 79-83, 86-87, 89-90, D11/91-92, 99, 101, 106, 114-116, D11/200-201; 63/18-20
CPC A44C 5/02
See application file for complete search history.

(56) **References Cited**

U.S. PATENT DOCUMENTS

D252,743 S * 8/1979 Jaramillo D11/56
D322,043 S * 12/1991 Chia D11/6

D373,303 S * 9/1996 Bailey D11/103
D393,345 S * 4/1998 Clegg D11/70
D439,194 S * 3/2001 Kharloubian D11/103
D534,452 S * 1/2007 Reardon D11/1
D535,904 S * 1/2007 Reardon D11/1
D614,073 S * 4/2010 Cabarbaye D11/1

* cited by examiner

Primary Examiner — Zenia Bennett

(74) *Attorney, Agent, or Firm* — Absolute Technology Law Group, LLC

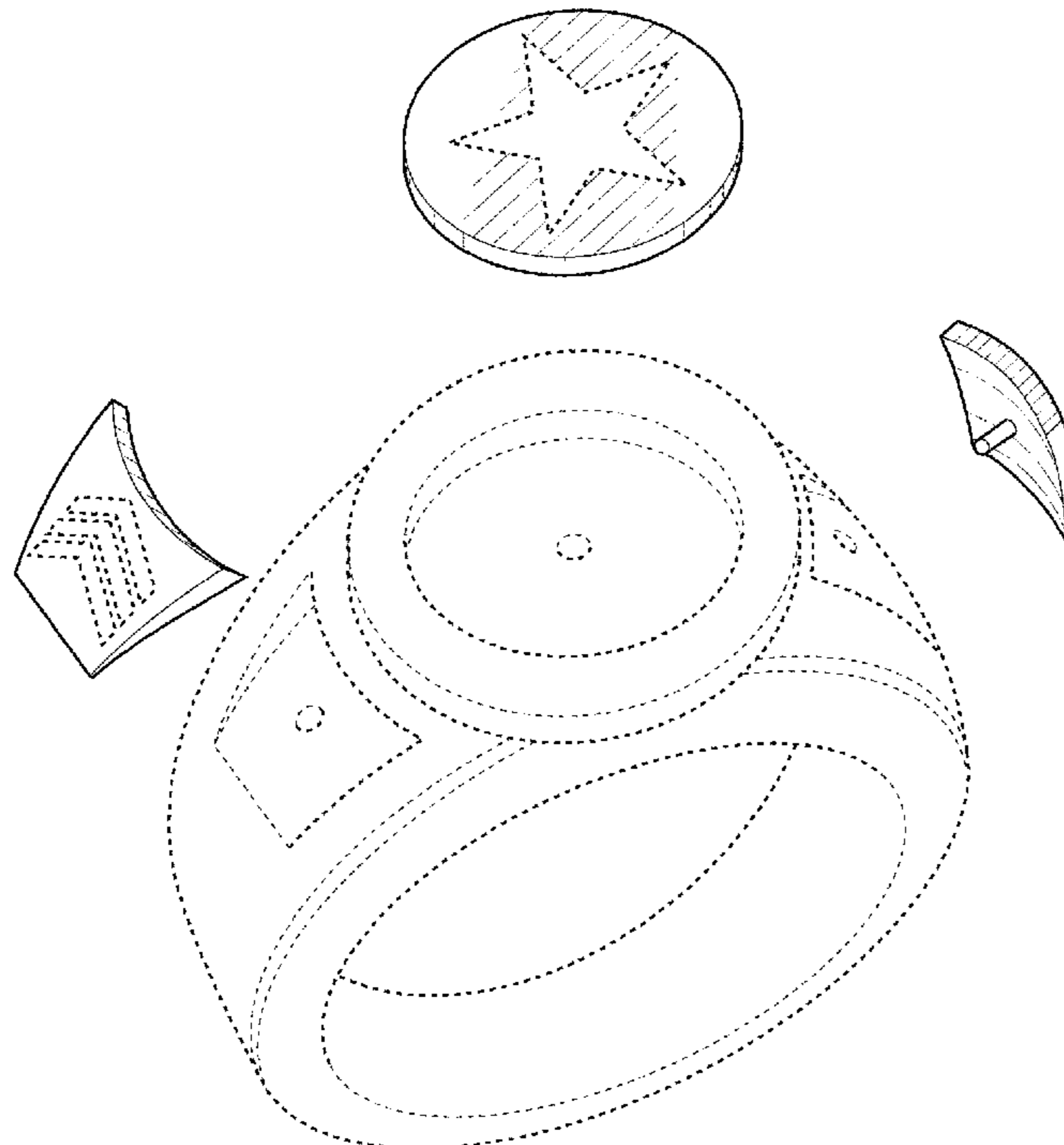
(57) **CLAIM**

The ornamental design for an interchangeable military insignia plate set, as shown and described.

DESCRIPTION

FIG. 1 is a front perspective view of my interchangeable military insignia plate set;
FIG. 2 is a top plan view thereof;
FIG. 3 is a bottom plan view thereof;
FIG. 4 is a right side elevational view thereof;
FIG. 5 is a left side elevational view thereof;
FIG. 6 is a front elevational view thereof; and,
FIG. 7 is back elevational view thereof.
The broken lines in the drawings illustrate environmental structures that form no part of the claimed design.

1 Claim, 4 Drawing Sheets



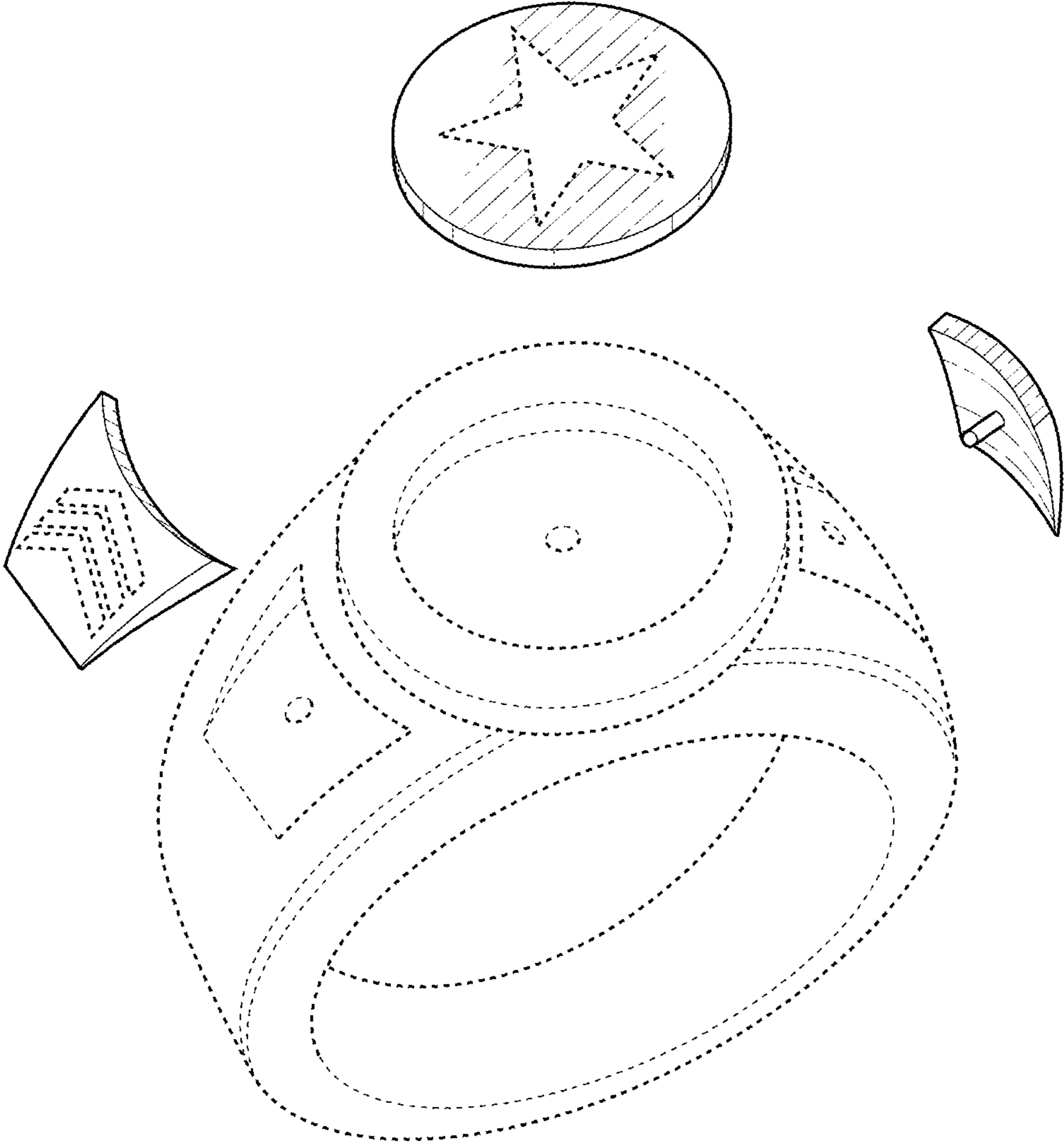


FIG. 1

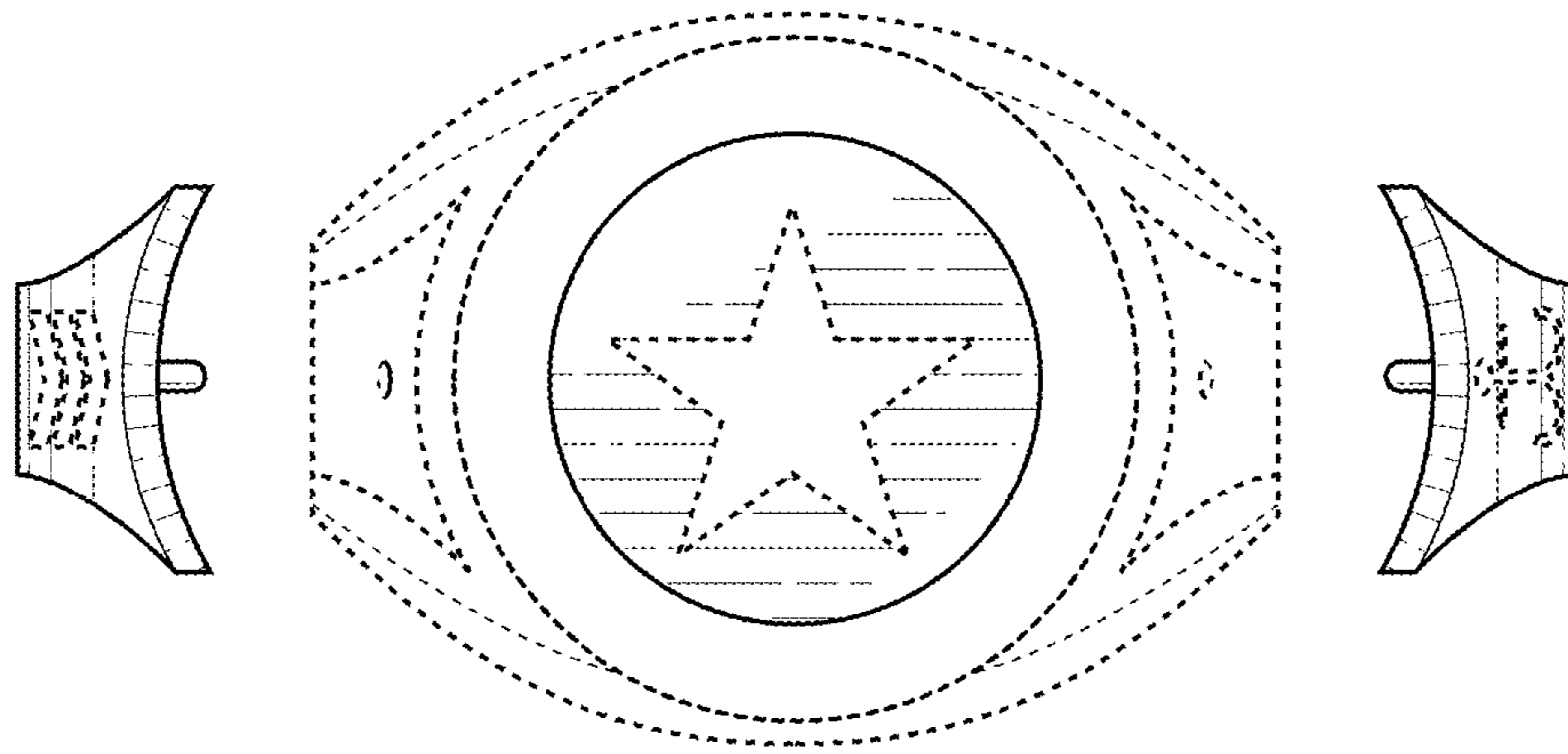


FIG. 2

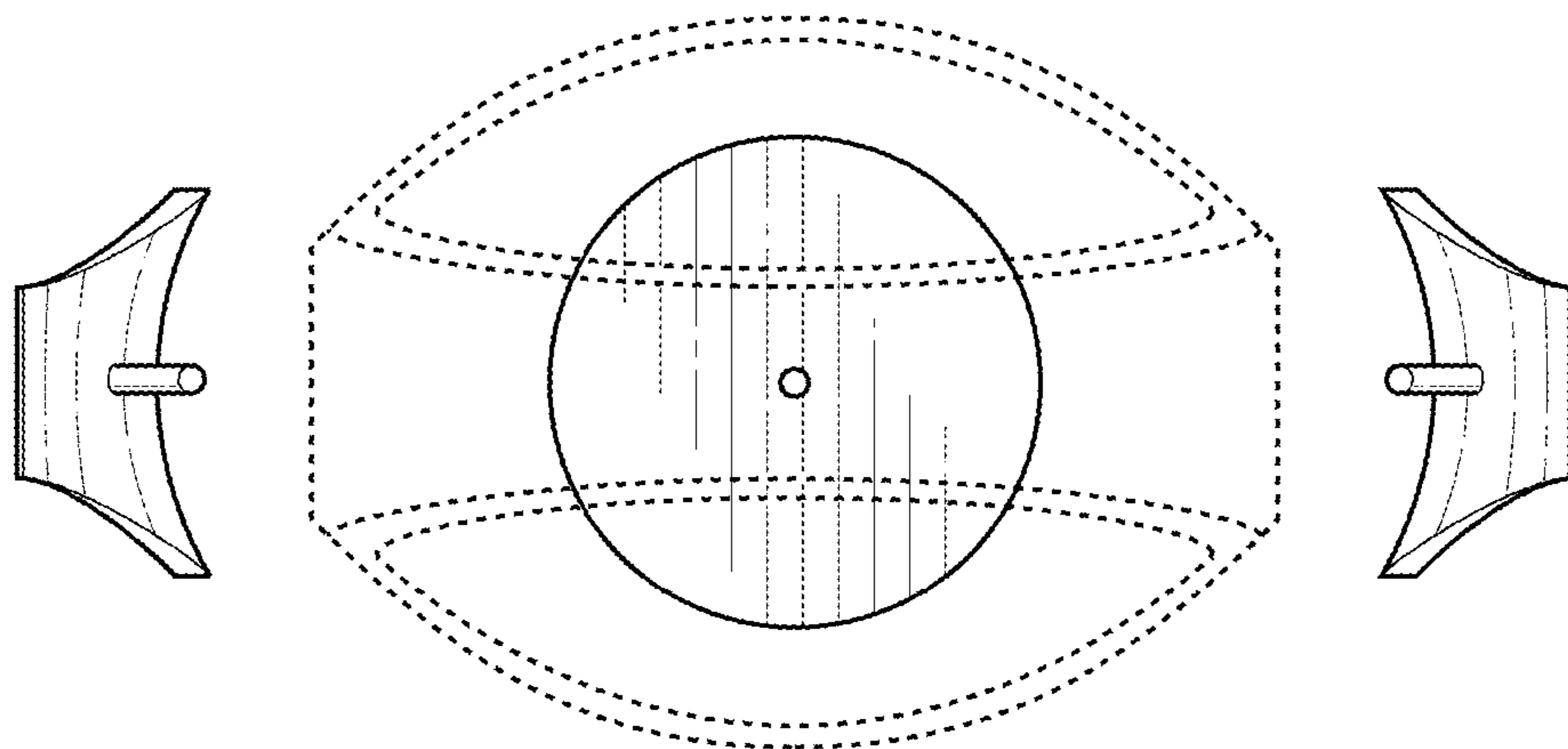


FIG. 3

FIG. 4

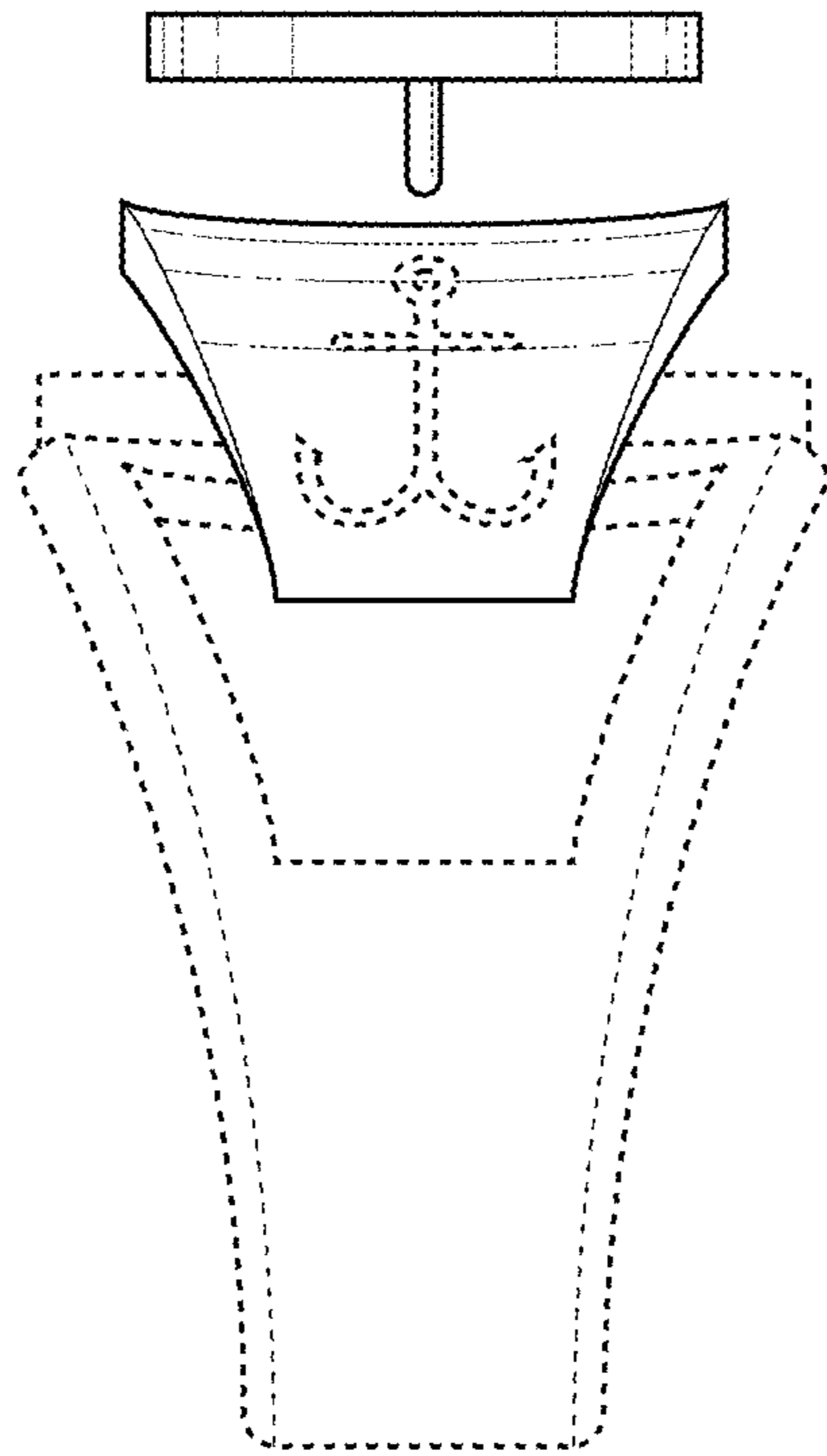


FIG. 5

