



US00D770929S

(12) **United States Design Patent** (10) **Patent No.:** **US D770,929 S**  
**Bressanutti et al.** (45) **Date of Patent:** **\*\* Nov. 8, 2016**

(54) **OPTICAL BLOCK**

FOREIGN PATENT DOCUMENTS

- (71) Applicant: **Honeywell International Inc.**,  
Morristown, NJ (US)
- (72) Inventors: **Massimo Bressanutti**, Sesto al  
Regghena (IT); **Mauro Miheli**, Trieste  
(IT); **Andrea Chiatti**, Trieste (IT)
- (73) Assignee: **LIFE SAFETY DISTRIBUTION AG**,  
Hegnau (CH)
- (\*\*) Term: **14 Years**
- (21) Appl. No.: **29/495,060**
- (22) Filed: **Jun. 26, 2014**
- (51) **LOC (10) Cl.** ..... **10-05**
- (52) **U.S. Cl.**  
USPC ..... **D10/106.2**
- (58) **Field of Classification Search**  
USPC ..... D10/106.2, 121, 52  
CPC ..... G08B 17/107; G08B 29/145; G01N  
21/4785  
See application file for complete search history.

CN	103597525 A	2/2014
JP	2013-54455	3/2013
JP	2013-168182	8/2013
WO	WO 2013/030918 A1	3/2013

OTHER PUBLICATIONS

English-language translation of patent publication CN 103597525 A, publication date Feb. 19, 2014, patentee Fenwal Controls of Japan, Ltd.

English-language translation of patent publication JP 2013-54455, publication date Mar. 21, 2013, patentee New Cosmos Electric Corp.

English-language translation of patent publication JP 2013-168182, publication date Aug. 29, 2013, patentee Nohmi Bosai Ltd.

\* cited by examiner

*Primary Examiner* — George D Kirschbaum  
(74) *Attorney, Agent, or Firm* — Husch Blackwell LLP

(57) **CLAIM**

The ornamental design for an optical block, as shown and described, except as disclaimed herein.

(56) **References Cited**

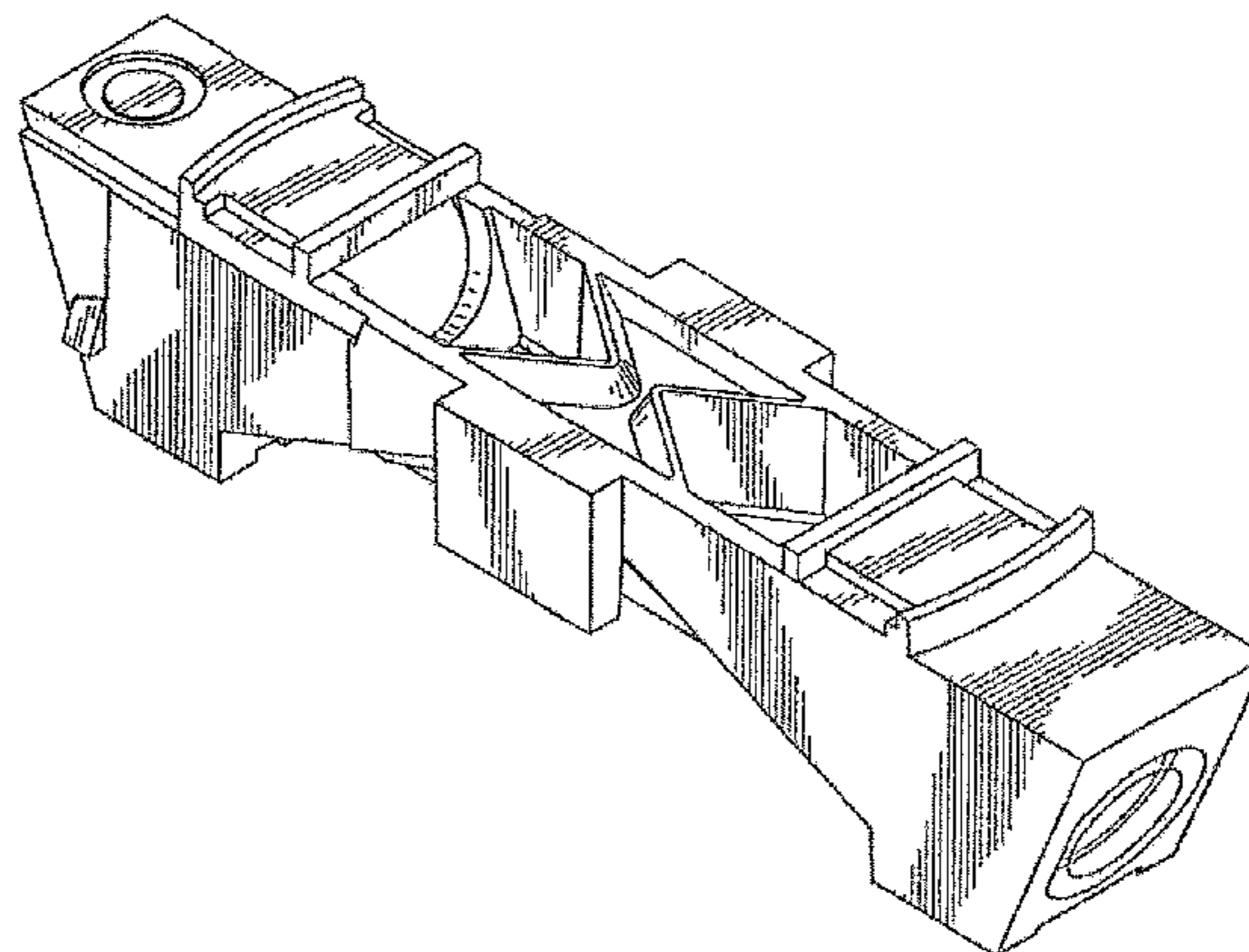
U.S. PATENT DOCUMENTS

3,863,076 A *	1/1975	Steele	.....	G08B 17/107 250/239
3,868,184 A *	2/1975	Marsocci	.....	G01N 21/4785 250/574
3,916,209 A *	10/1975	Steele	.....	G08B 17/107 250/239
4,124,298 A *	11/1978	Steele	.....	G08B 17/107 250/574
4,488,049 A *	12/1984	Marsocci	.....	G08B 29/145 250/574
4,584,485 A *	4/1986	Powers	.....	G08B 17/107 250/239
6,521,907 B1	2/2003	Shoaff et al.		
7,697,140 B2	4/2010	Iguchi et al.		
7,948,627 B2	5/2011	Iguchi et al.		
8,743,366 B2	6/2014	Numao et al.		
2012/0262714 A1	10/2012	Gonzales		

**DESCRIPTION**

FIG. 1 is a perspective view of the optical block showing our new design;  
FIG. 2 is a side elevational view thereof, the opposite side being a mirror image thereof;  
FIG. 3 is a top plan view thereof; and,  
FIG. 4 is an end elevational view.  
The bottom view of the optical block illustrated in FIGS. 1-4 is hereby disclaimed and forms no part of the claimed design.  
In the drawings, the broken line showing of the opposing end of the design as seen in FIG. 4 depicts environmental subject matter and forms no part of the claimed design.

**1 Claim, 2 Drawing Sheets**



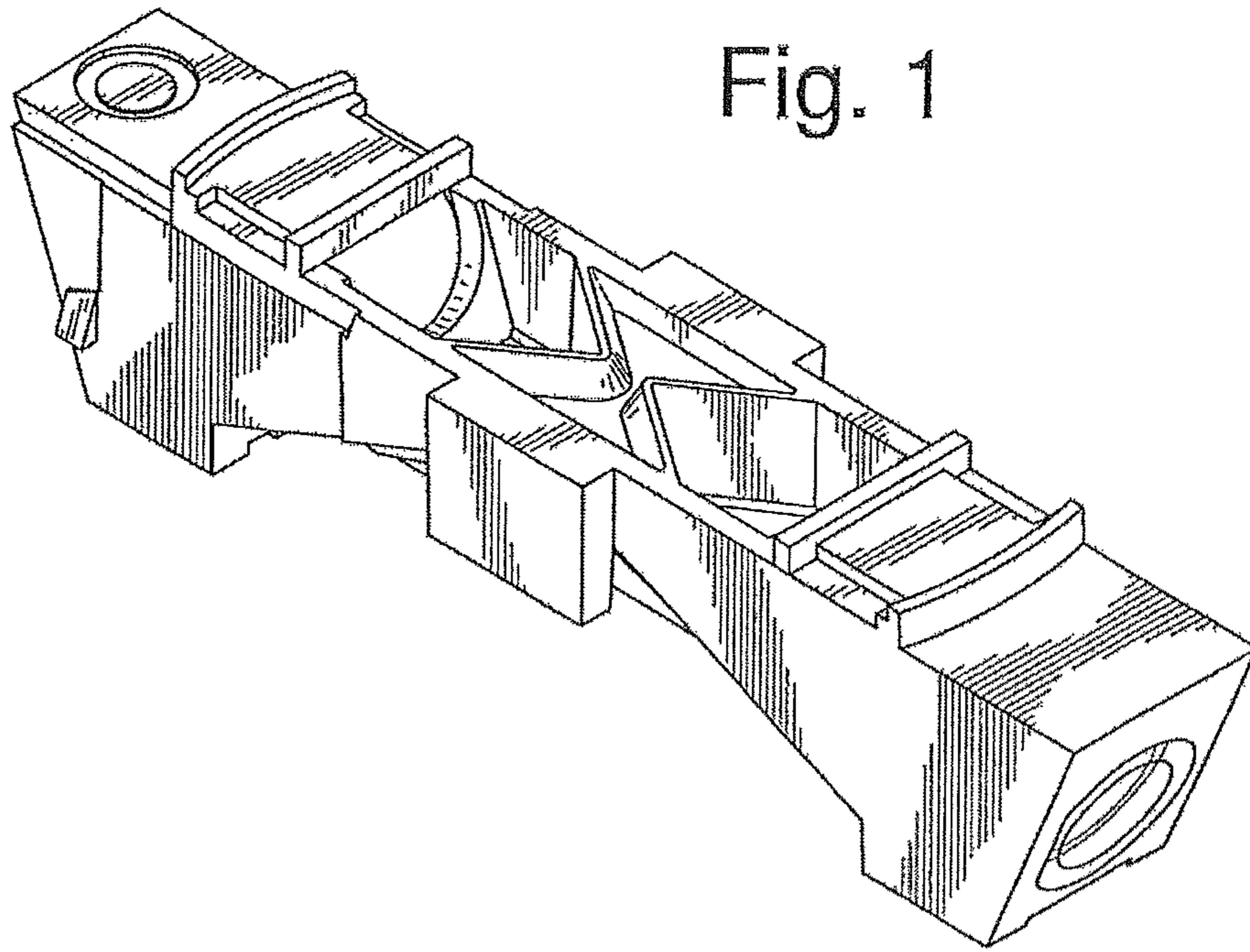


Fig. 1

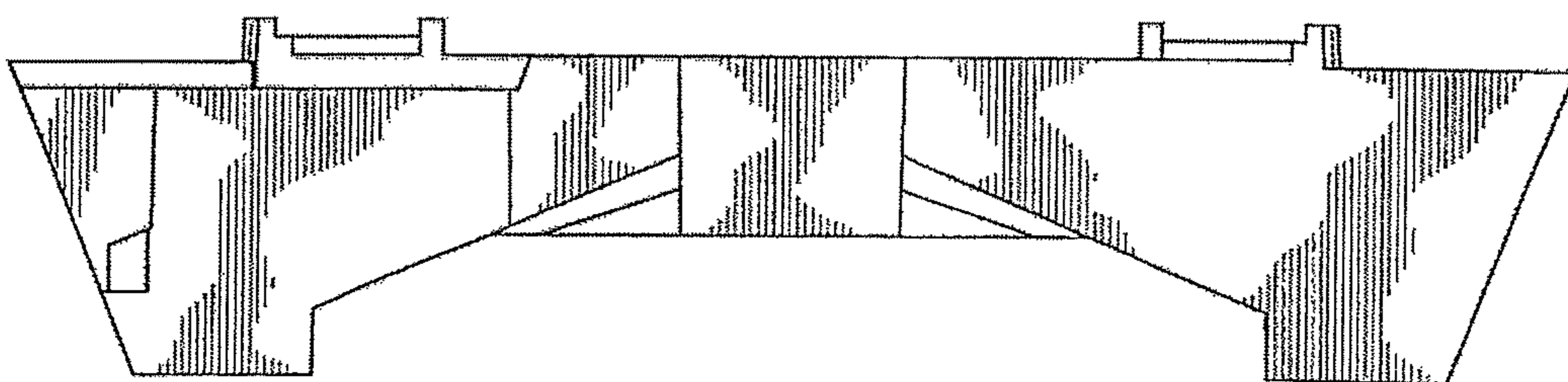


Fig. 2

Fig. 3

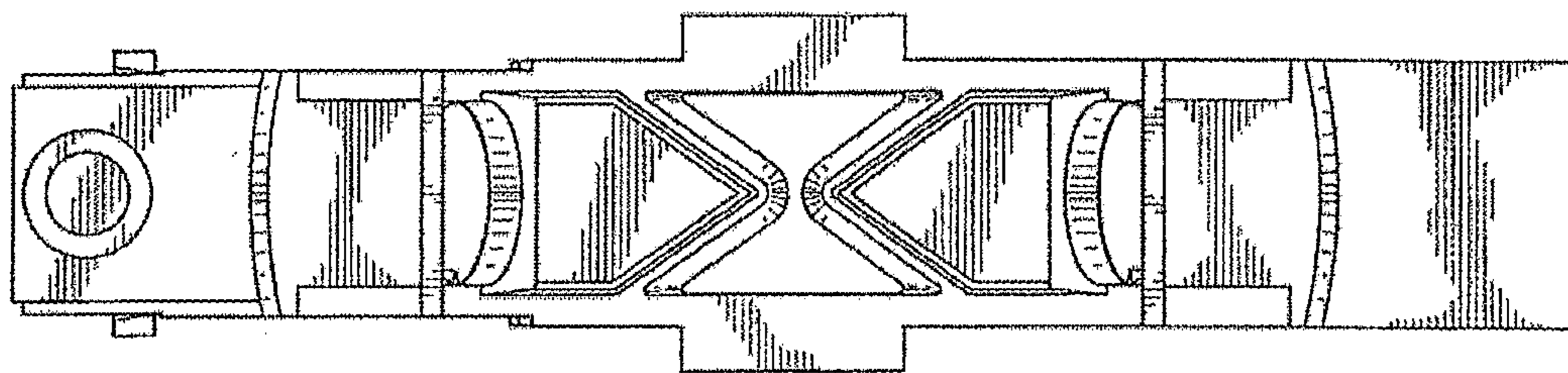


Fig. 4

