



US00D770928S

(12) **United States Design Patent**
Chen et al.

(10) **Patent No.:** **US D770,928 S**

(45) **Date of Patent:** **** Nov. 8, 2016**

(54) **WIRELESS AUDIBLE AND VISUAL ALARM**

(71) Applicant: **Hangzhou Hikvision Digital Technology Co., Ltd.**, Hangzhou (CN)

(72) Inventors: **Xiangchong Chen**, Hangzhou (CN);
Chenfu Luo, Hangzhou (CN)

(73) Assignee: **Hangzhou Ezviz Network Co., Ltd.**, Hangzhou (CN)

(**) Term: **15 Years**

(21) Appl. No.: **29/538,447**

(22) Filed: **Sep. 3, 2015**

(30) **Foreign Application Priority Data**

Apr. 20, 2015 (CN) 2015 3 0105796

(51) **LOC (10) Cl.** **10-05**

(52) **U.S. Cl.**
USPC **D10/106.1**

(58) **Field of Classification Search**
USPC D10/104.1, 106.1–106.7; D16/203;
340/571, 588, 628–630; D26/26, 38;
D14/159, 196, 509
CPC G08B 5/36; G08B 17/06; G08B 17/10;
G08B 5/38
See application file for complete search history.

(56) **References Cited**

U.S. PATENT DOCUMENTS

D321,882 S * 11/1991 Huei D14/196
D394,652 S * 5/1998 Greger D10/104.1

D448,695 S * 10/2001 Yuen D10/106.1
D463,991 S * 10/2002 Curry D10/104.1
D605,065 S * 12/2009 Meziere D10/106.1
D666,576 S * 9/2012 Marsh D14/159

* cited by examiner

Primary Examiner — Sandra Morris

(74) *Attorney, Agent, or Firm* — Diederiks & Whitelaw, PLC

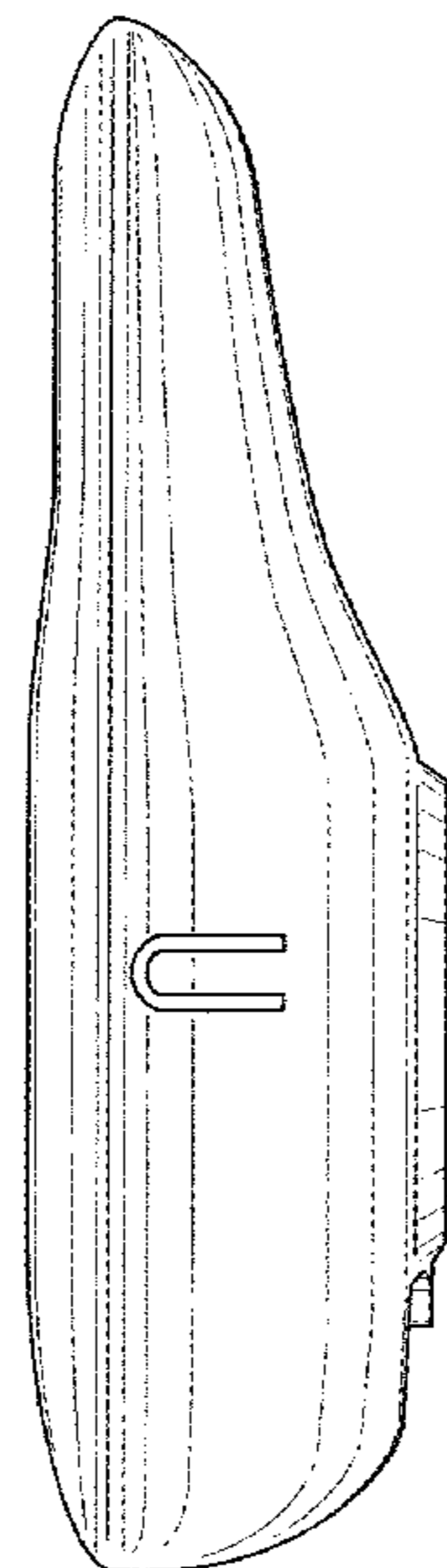
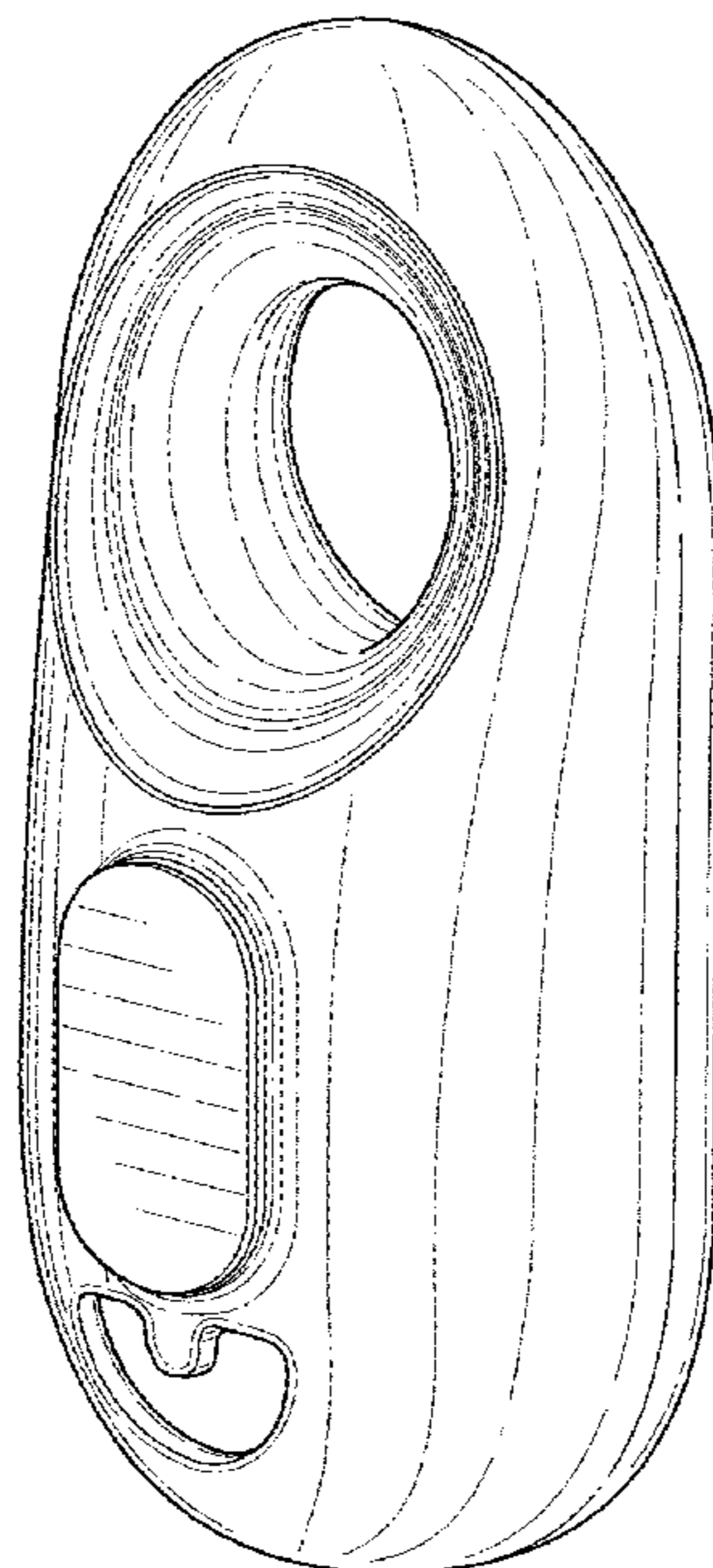
(57) **CLAIM**

The ornamental design for a wireless audible and visual alarm, as shown and described.

DESCRIPTION

FIG. 1 is a rear perspective view of the wireless audible and visual alarm according to the design;
FIG. 2 is a front perspective view of the wireless audible and visual alarm;
FIG. 3 is a rear elevational view of the wireless audible and visual alarm;
FIG. 4 is a front elevational view of the wireless audible and visual alarm;
FIG. 5 is a left side elevational view of the wireless audible and visual alarm;
FIG. 6 is a right side elevational view of the wireless audible and visual alarm;
FIG. 7 is a bottom view of the wireless audible and visual alarm; and,
FIG. 8 is a top view of the wireless audible and visual alarm.

1 Claim, 4 Drawing Sheets



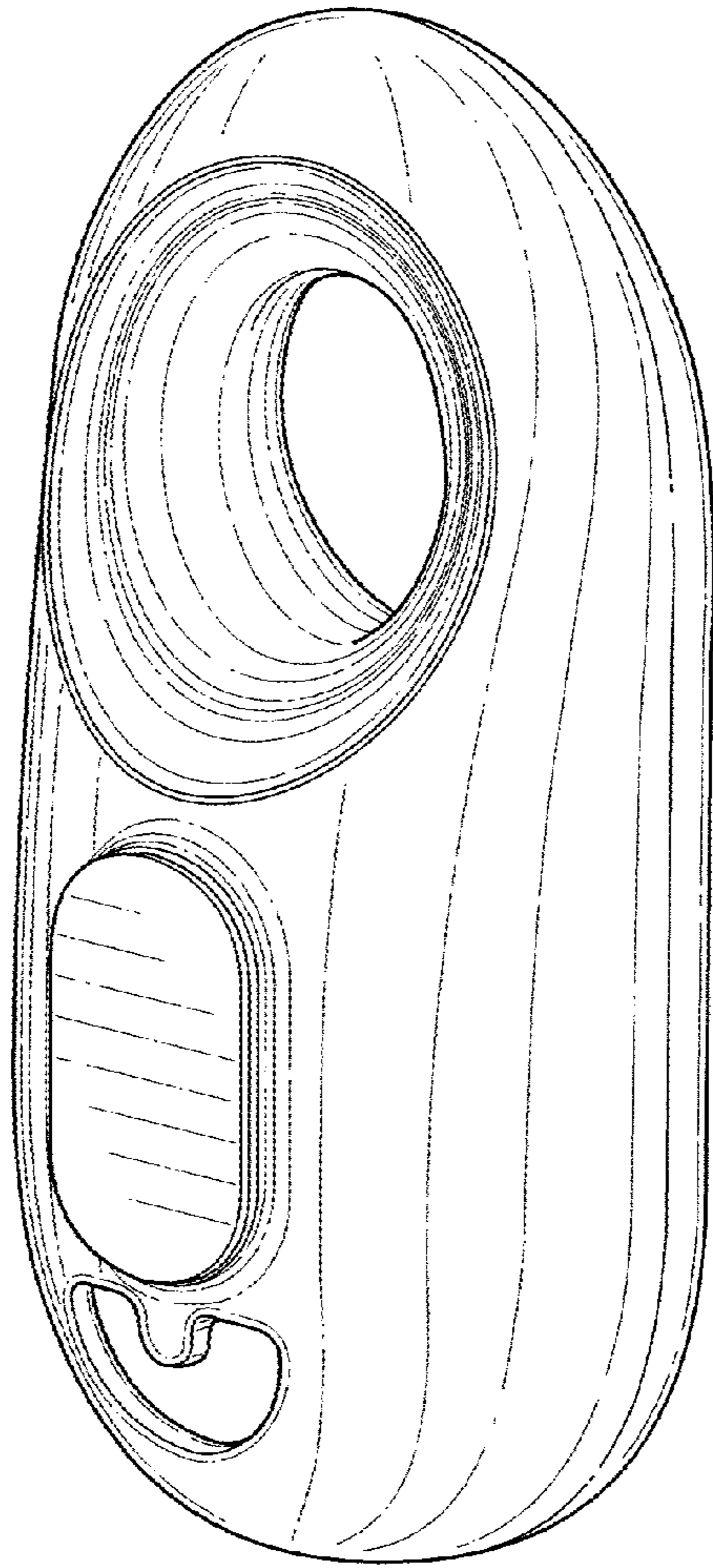


FIG. 1

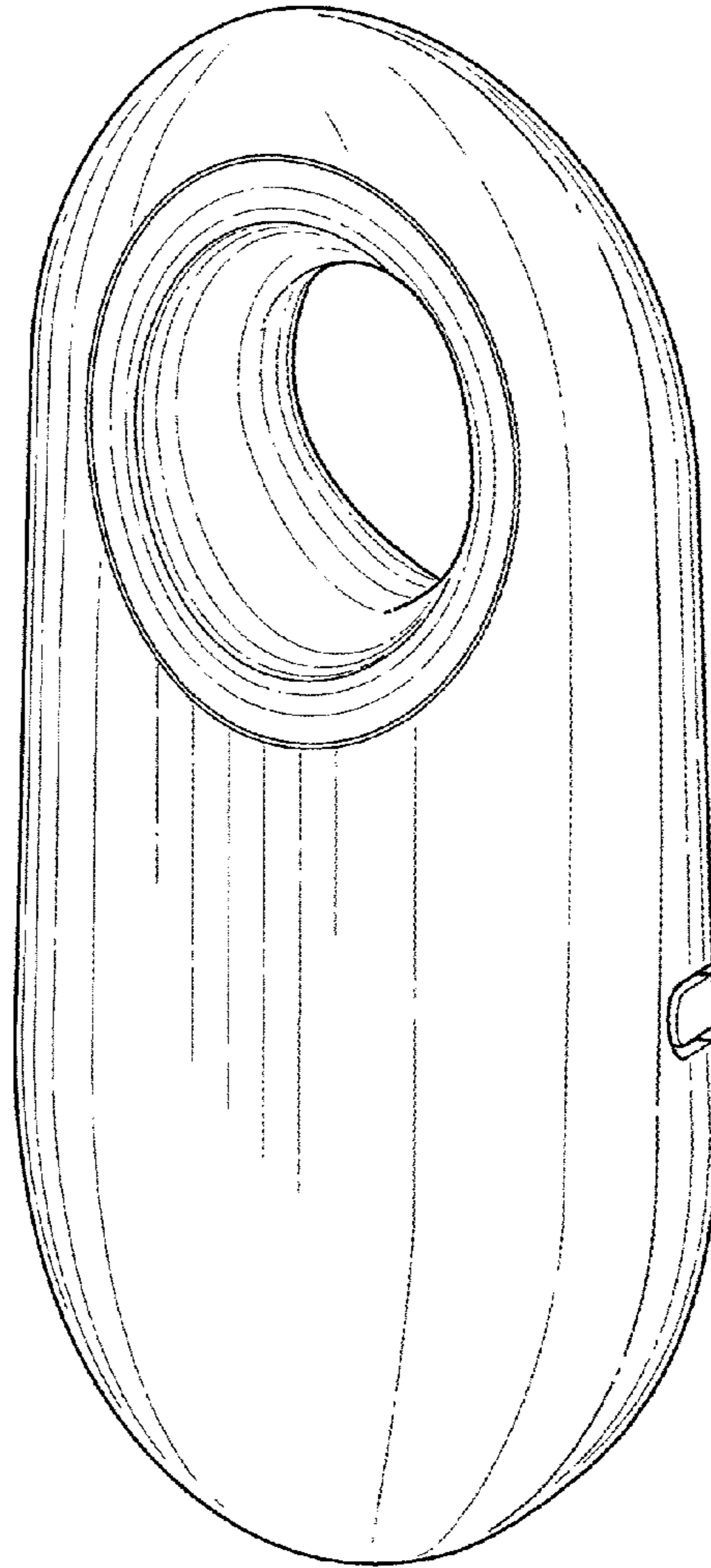


FIG. 2

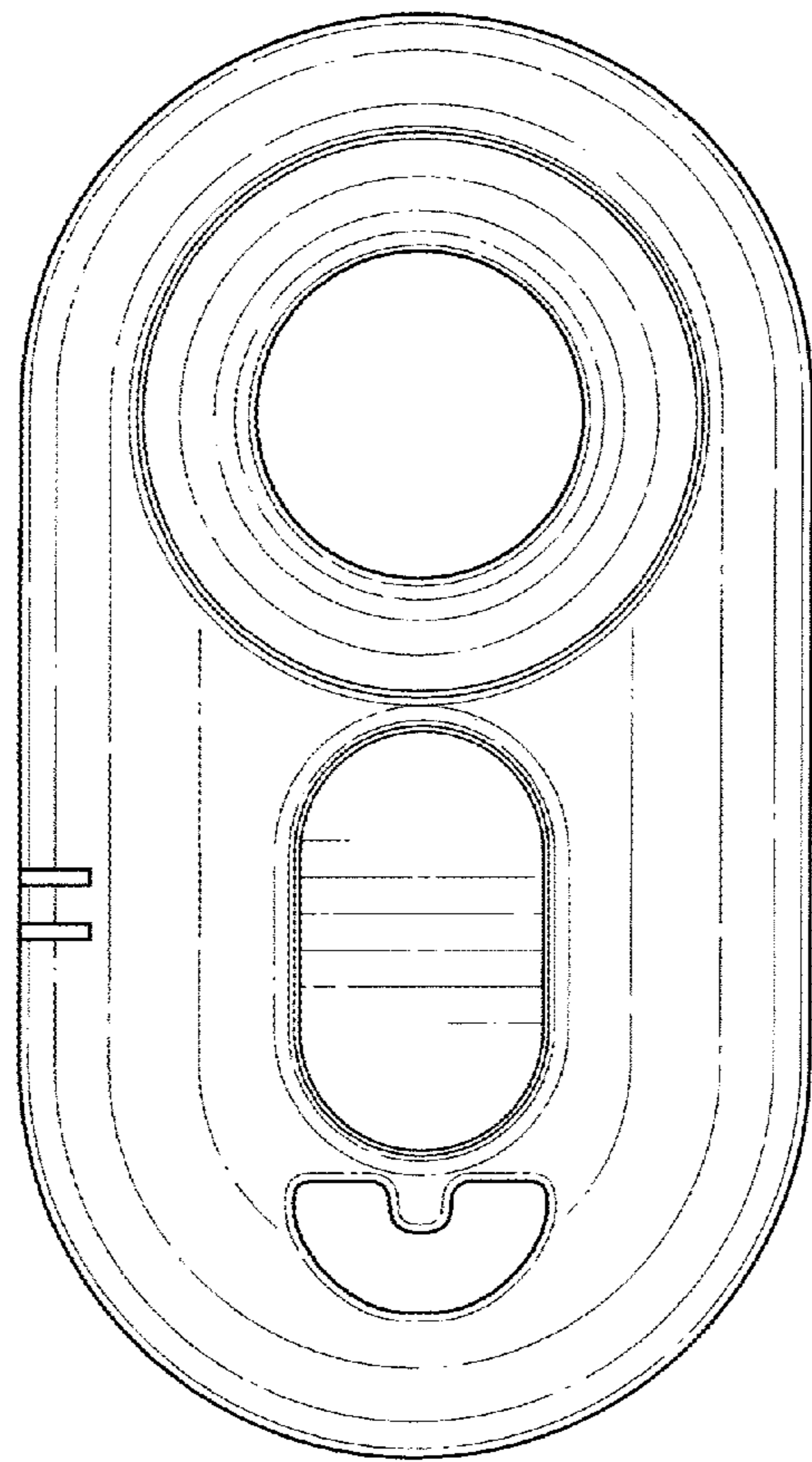


FIG. 3

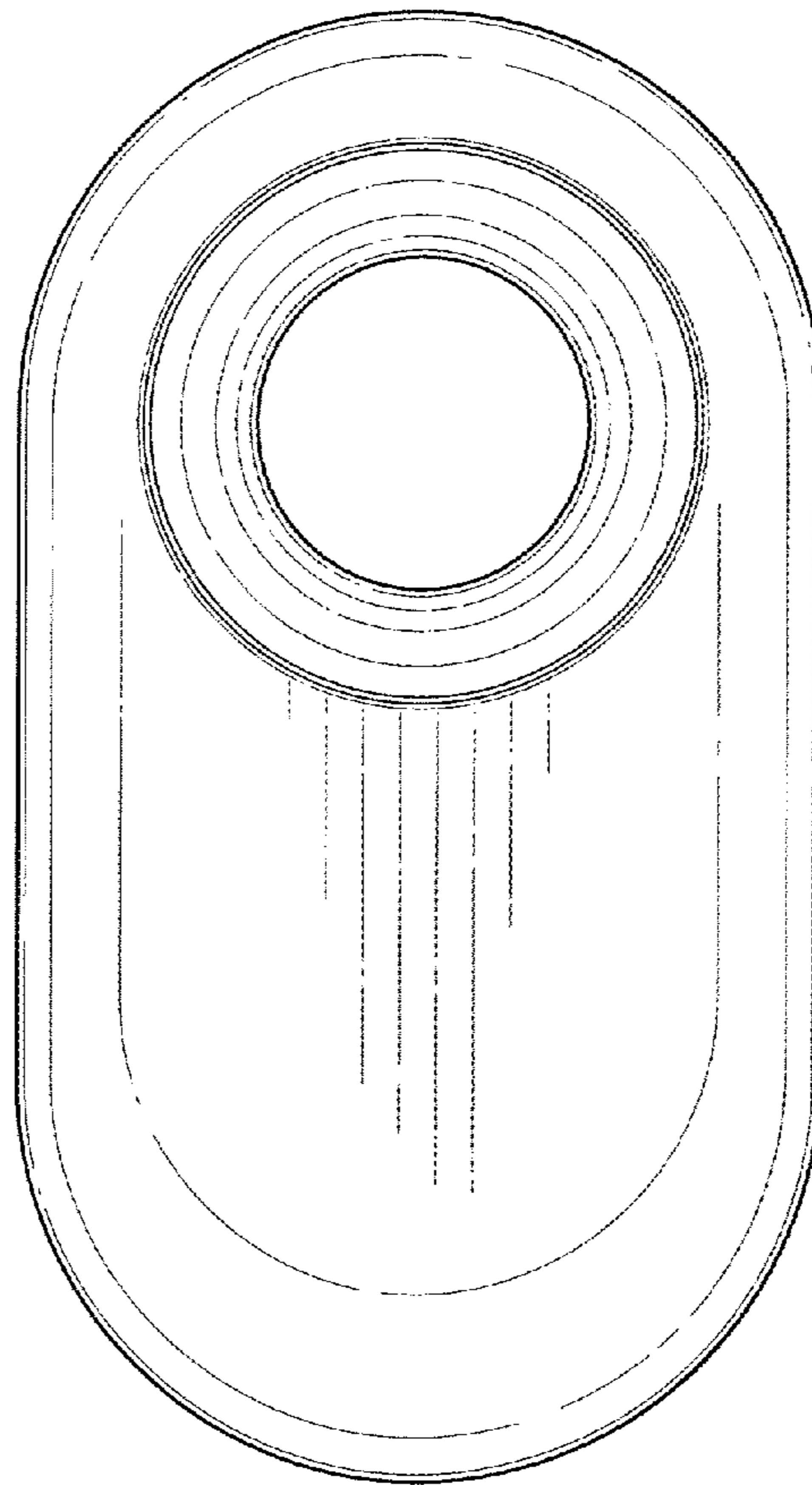


FIG. 4

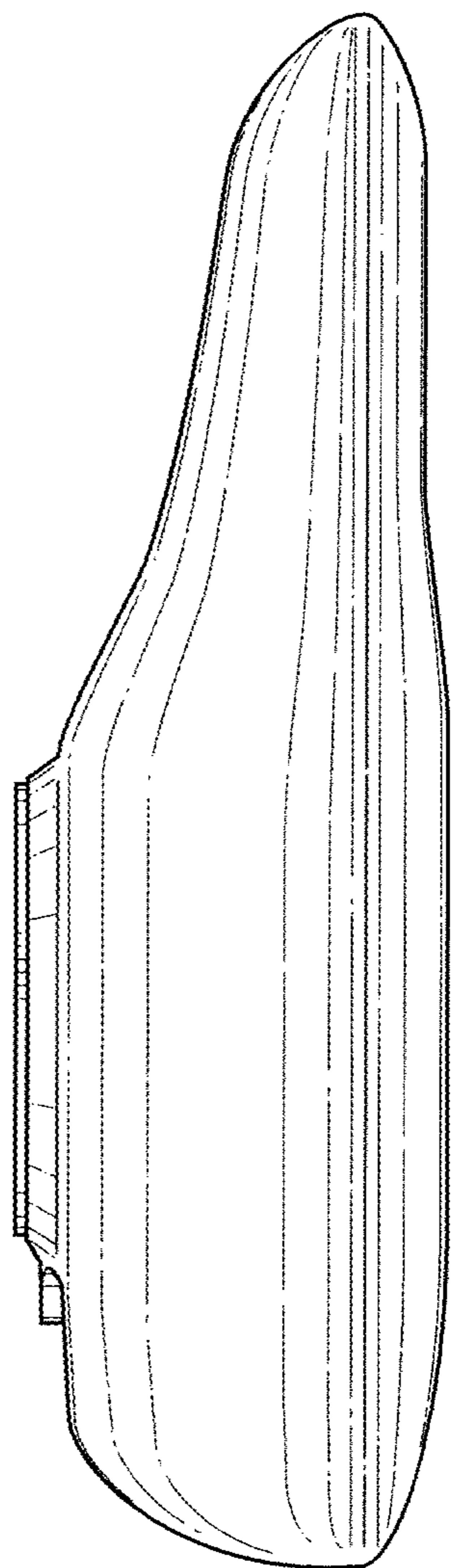


FIG. 5

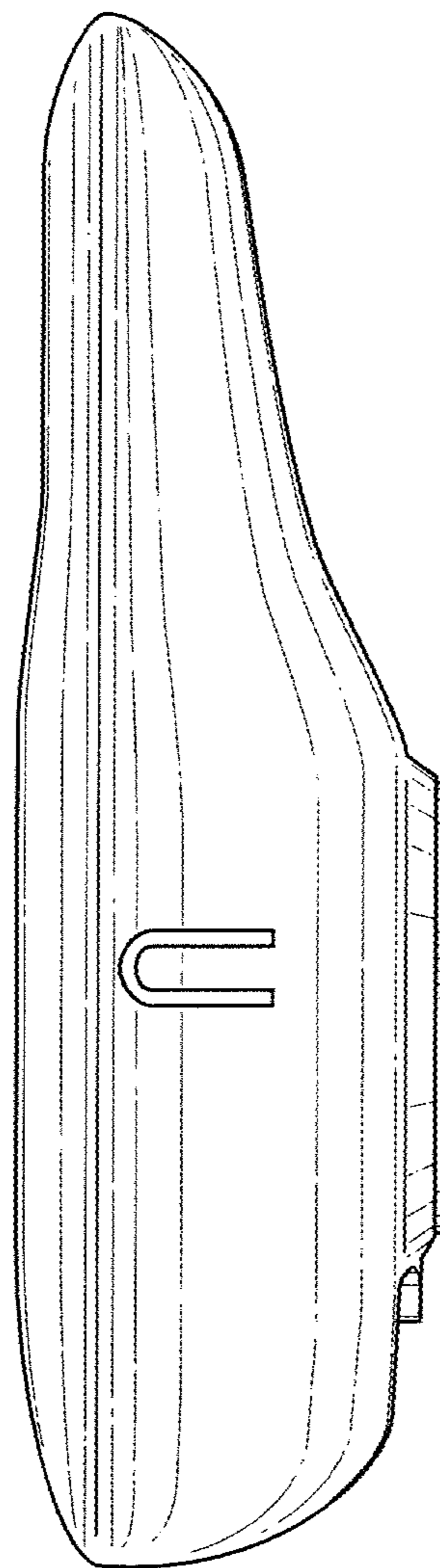


FIG. 6

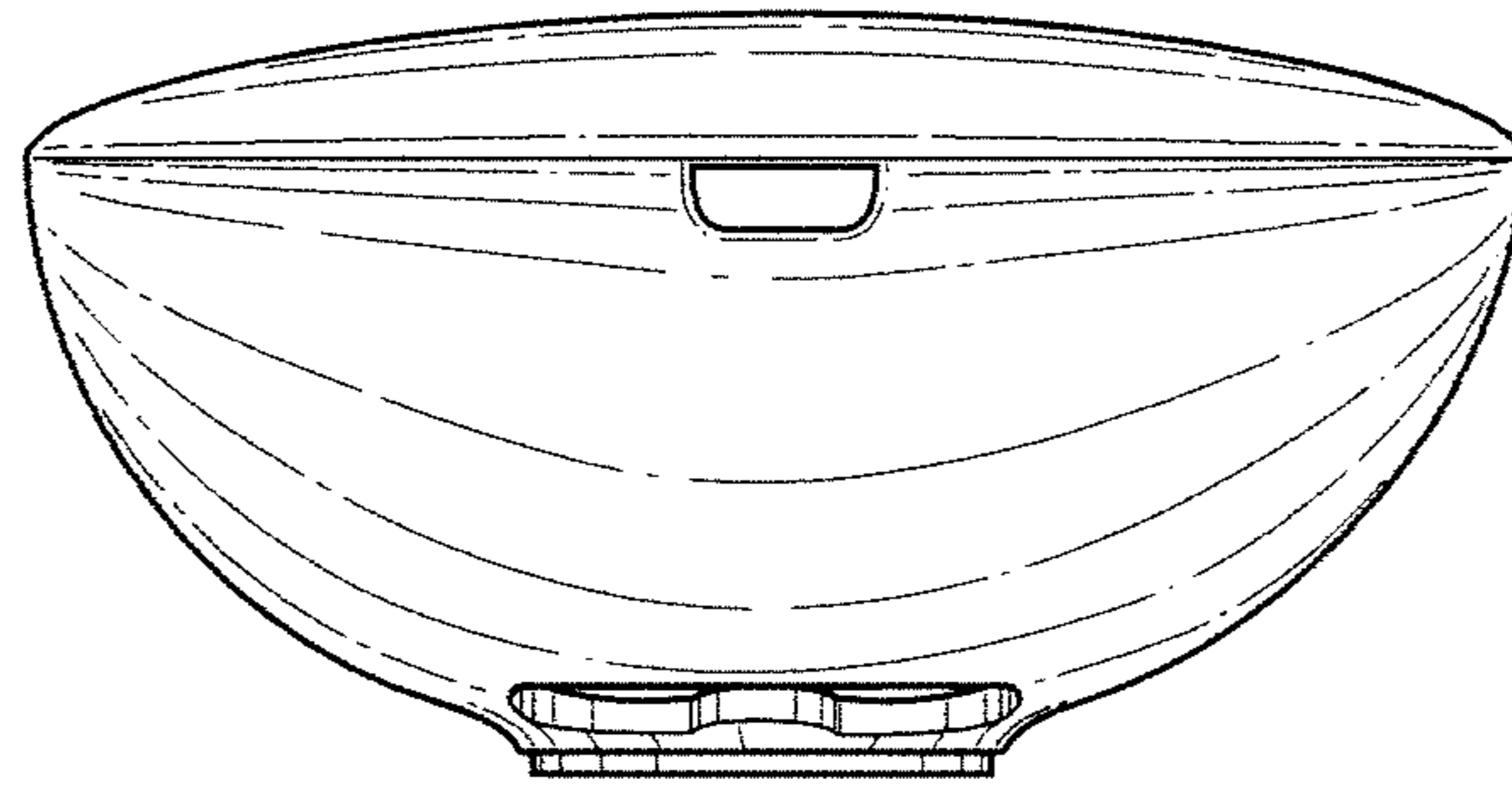


FIG. 7

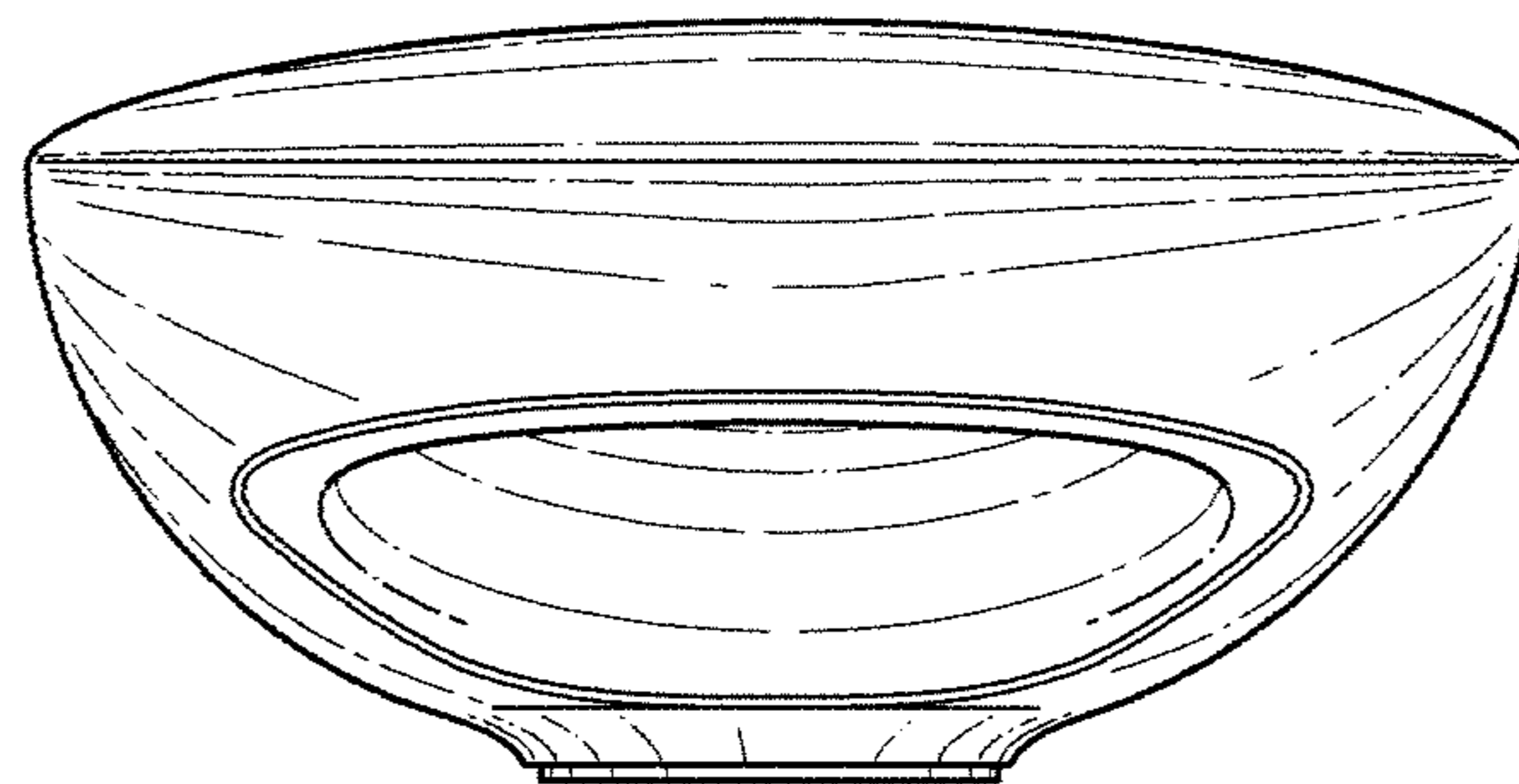


FIG. 8