



US00D770927S

(12) **United States Design Patent** (10) **Patent No.:** **US D770,927 S**  
**Vogler** (45) **Date of Patent:** **\*\* Nov. 8, 2016**

(54) **TIRE BALANCER (WEIGHTS)**  
(71) Applicant: **Wegmann automotive GmbH & Co. KG**, Veitshöchheim (DE)  
(72) Inventor: **Markus Vogler**, Würzburg (DE)  
(73) Assignee: **WEGMANN AUTOMOTIVE GMBH & CO. KG**, Veitshöchheim (DE)  
(\*\*) Term: **15 Years**  
(21) Appl. No.: **29/547,960**  
(22) Filed: **Dec. 9, 2015**

**Related U.S. Application Data**

(62) Division of application No. 29/498,025, filed on Jul. 30, 2014, now Pat. No. Des. 754,012.

**Foreign Application Priority Data**

(30) Jan. 30, 2014 (EM) ..... 002395590-0001  
Jan. 30, 2014 (EM) ..... 002395590-0002  
Jan. 30, 2014 (EM) ..... 002395590-0003  
Jan. 30, 2014 (EM) ..... 002395590-0004  
Jan. 30, 2014 (EM) ..... 002395590-0005  
Jan. 30, 2014 (EM) ..... 002395590-0006  
Jan. 30, 2014 (EM) ..... 002395590-0007  
Jan. 30, 2014 (EM) ..... 002395590-0008  
(51) **LOC (10) Cl.** ..... **10-04**  
(52) **U.S. Cl.**  
USPC ..... **D10/94**  
(58) **Field of Classification Search**  
USPC ..... D10/94; D21/385, 391, 491, 680;  
177/264  
CPC ..... F16F 15/32; F16F 15/322; F16F 15/324;  
F16F 15/326; F16F 15/328; F16F 15/34;  
F16F 15/345; F16F 15/36; F16F 15/363;  
F16F 15/366; G01G 1/32; G01G 1/34;  
G01G 21/26

See application file for complete search history.

(56) **References Cited**  
U.S. PATENT DOCUMENTS  
6,592,188 B2 \* 7/2003 Yamaguchi ..... 301/5.21  
6,659,567 B2 \* 12/2003 Yamaguchi ..... 301/5.21  
(Continued)

FOREIGN PATENT DOCUMENTS  
EM 002292748-0001 8/2013  
EM 002292748-0002 8/2013  
(Continued)

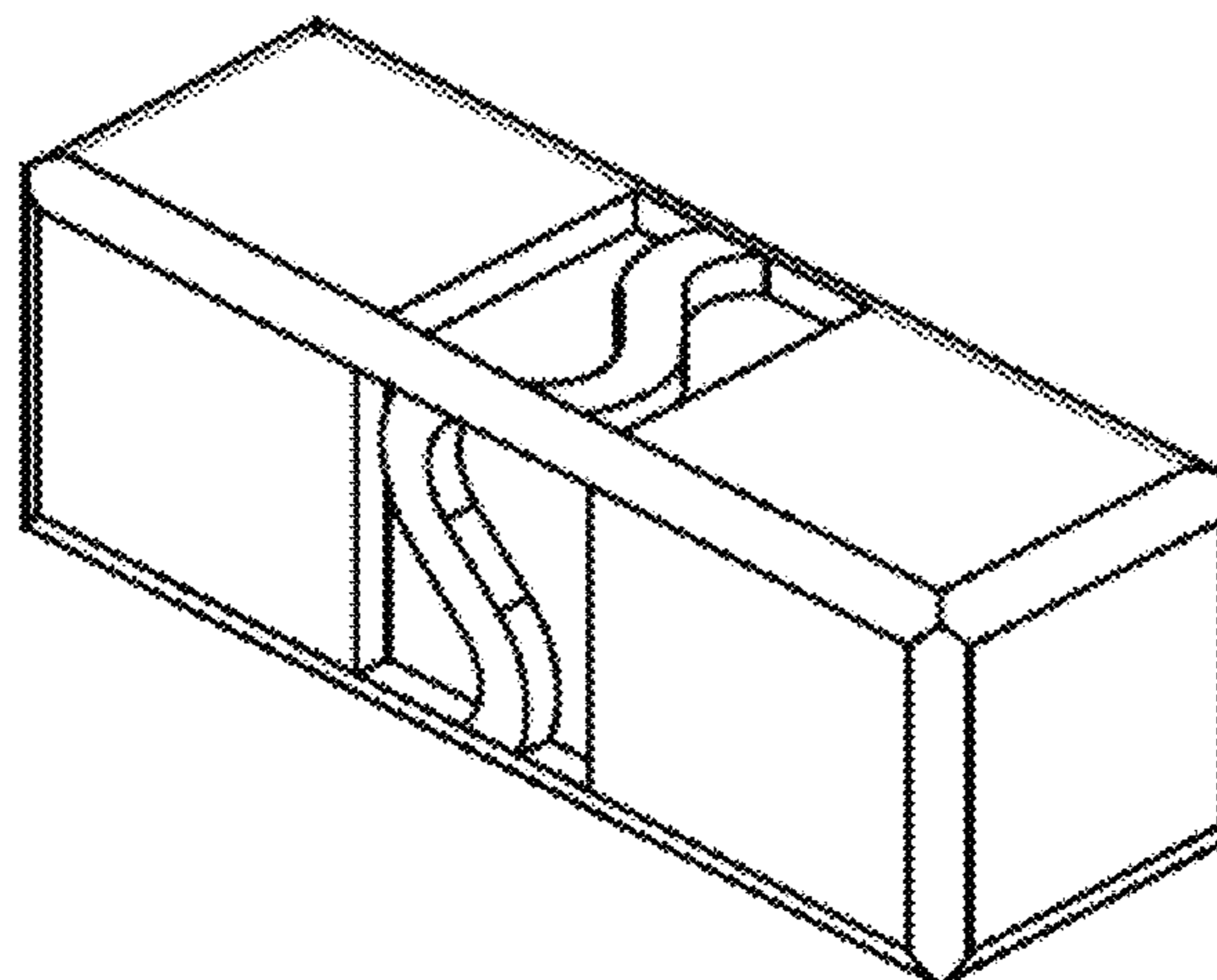
*Primary Examiner* — Antoine D Davis  
(74) *Attorney, Agent, or Firm* — Norton Rose Fulbright US LLP

(57) **CLAIM**  
The ornamental designs for tire balancers (weights), as shown and described.

**DESCRIPTION**

FIG. 1 is a perspective view of the first embodiment my tire balancer (weights);  
FIG. 2 is a top view of the first embodiment;  
FIG. 3 is a first end view of the first embodiment, the second end view being a mirror image thereof;  
FIG. 4 is a left side view of the first embodiment, the right side view being a mirror image thereof;  
FIG. 5 is a perspective view of the second embodiment of my tire balancer (weights);  
FIG. 6 is a top view of the second embodiment;  
FIG. 7 is a first end view of the second embodiment, the second end view being a mirror image thereof; and,  
FIG. 8 is a left side view of the second embodiment, the right side view being a mirror image thereof.  
All other surface(s) or portion(s) of the tire balancer (weights) not shown in the figures or otherwise described in the specification form no part of the claimed design.

**1 Claim, 2 Drawing Sheets**



(56)

**References Cited**

U.S. PATENT DOCUMENTS

6,874,856 B2 \* 4/2005 Yoshimura et al. .... 301/5.21  
8,449,042 B2 \* 5/2013 Yamaguchi et al. .... 301/5.21  
D709,779 S \* 7/2014 Burgel ..... D10/94  
D710,225 S \* 8/2014 Burgel ..... D10/94  
D729,664 S \* 5/2015 Burgel ..... D10/94  
D729,665 S \* 5/2015 Burgel ..... D10/94  
D729,666 S \* 5/2015 Burgel ..... D10/94

FOREIGN PATENT DOCUMENTS

EM 002292748-0003 8/2013

EM 002551291-0001 10/2014  
EM 002551291-0002 10/2014  
EM 002551291-0003 10/2014  
EM 002551291-0004 10/2014  
EM 002551309-0001 10/2014  
EM 002551309-0002 10/2014  
EM 002551309-0003 10/2014  
EM 002551309-0004 10/2014  
EM 002551325-0001 10/2014  
EM 002551325-0002 10/2014  
EM 002551325-0003 10/2014  
EM 002551325-0004 10/2014

\* cited by examiner

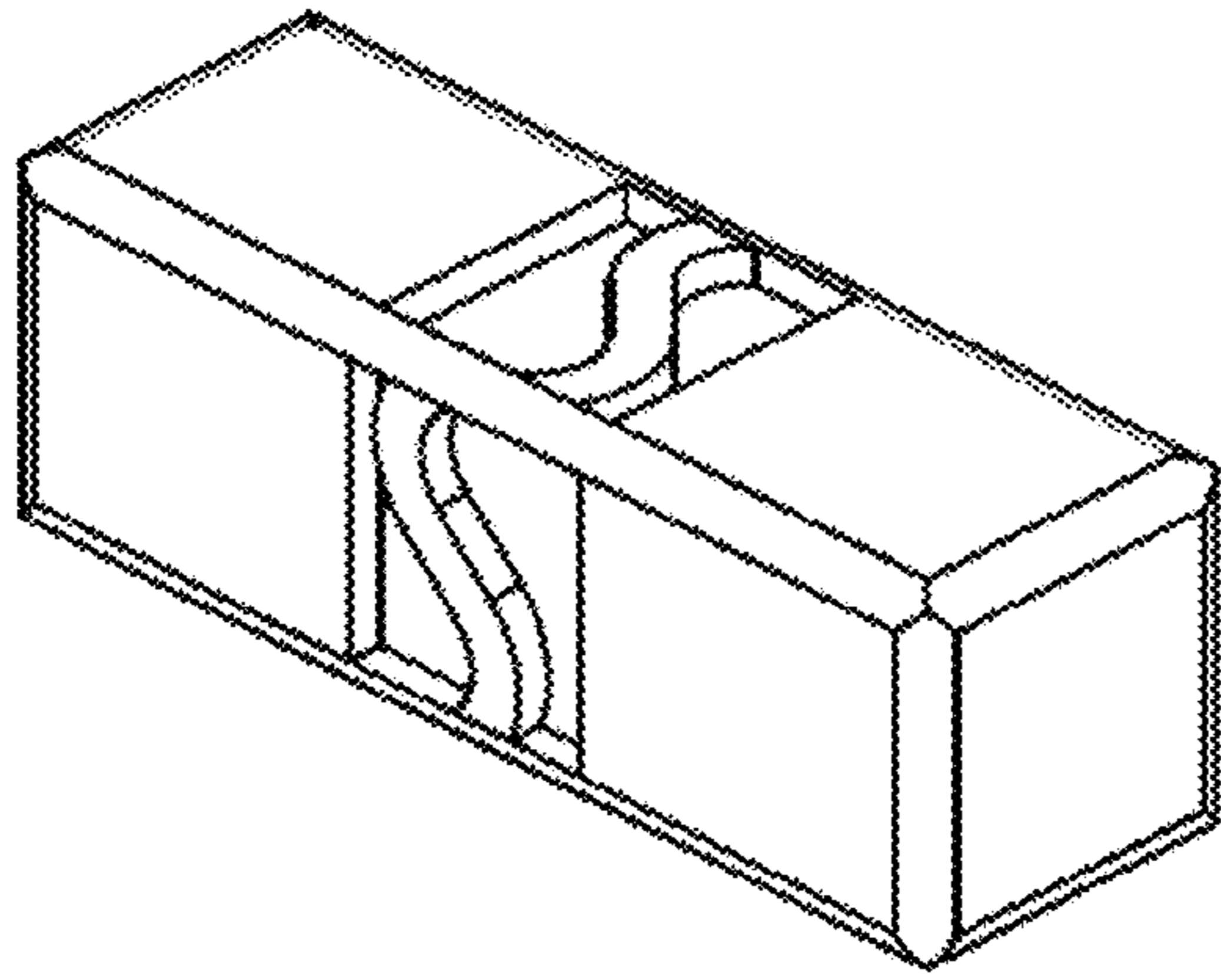


FIG. 1



FIG. 2

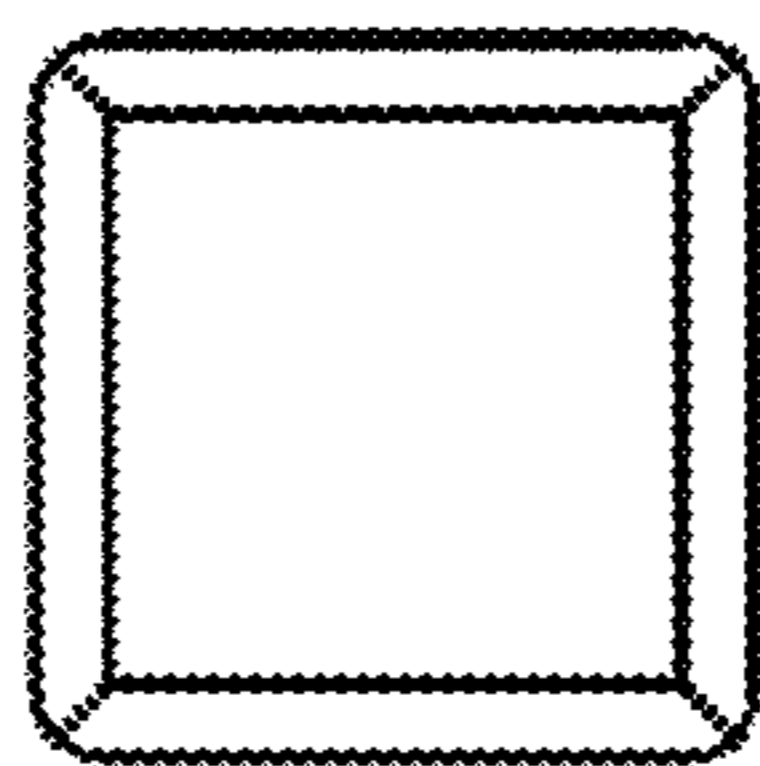


FIG. 3



FIG. 4

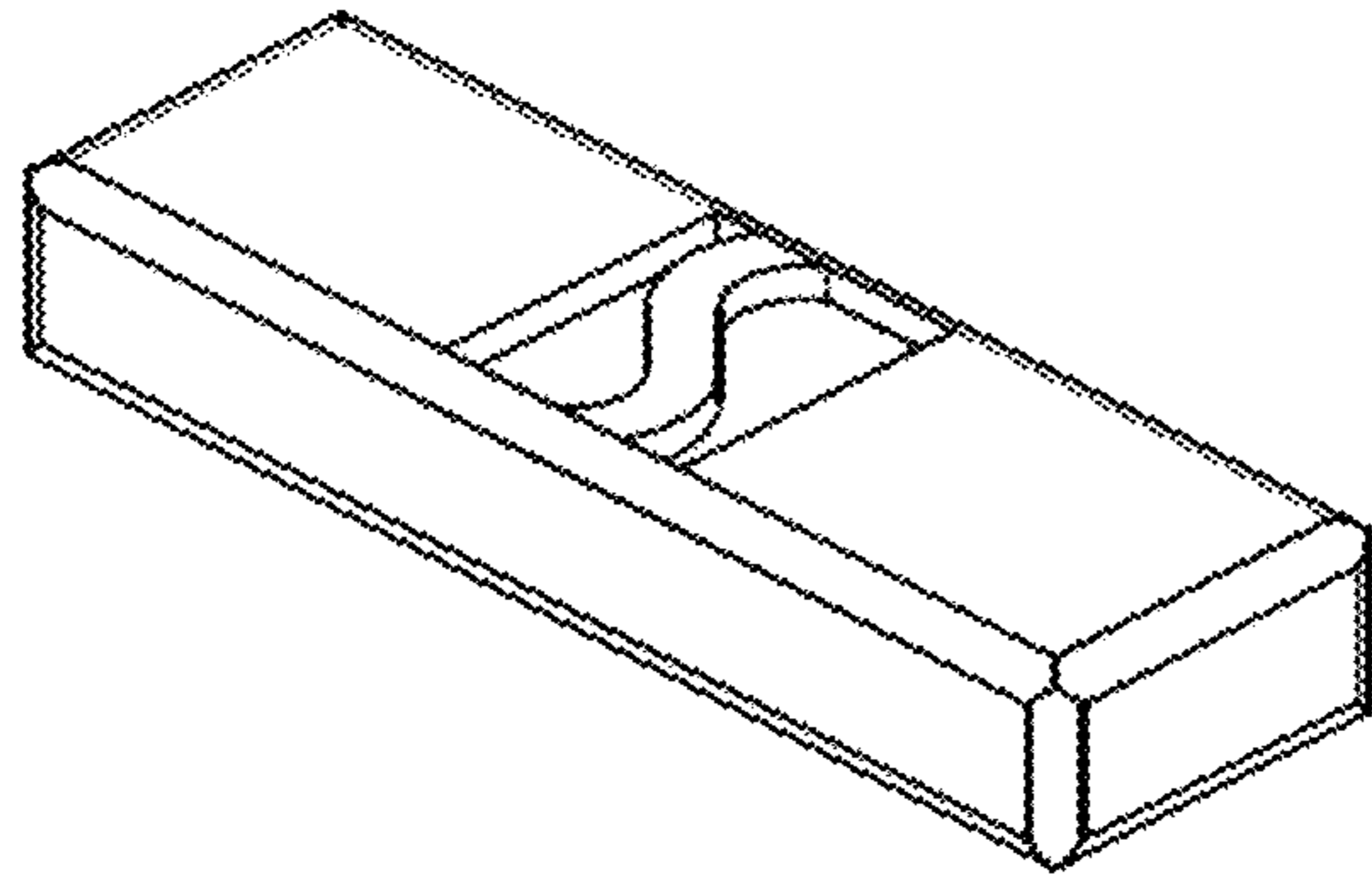


FIG. 5

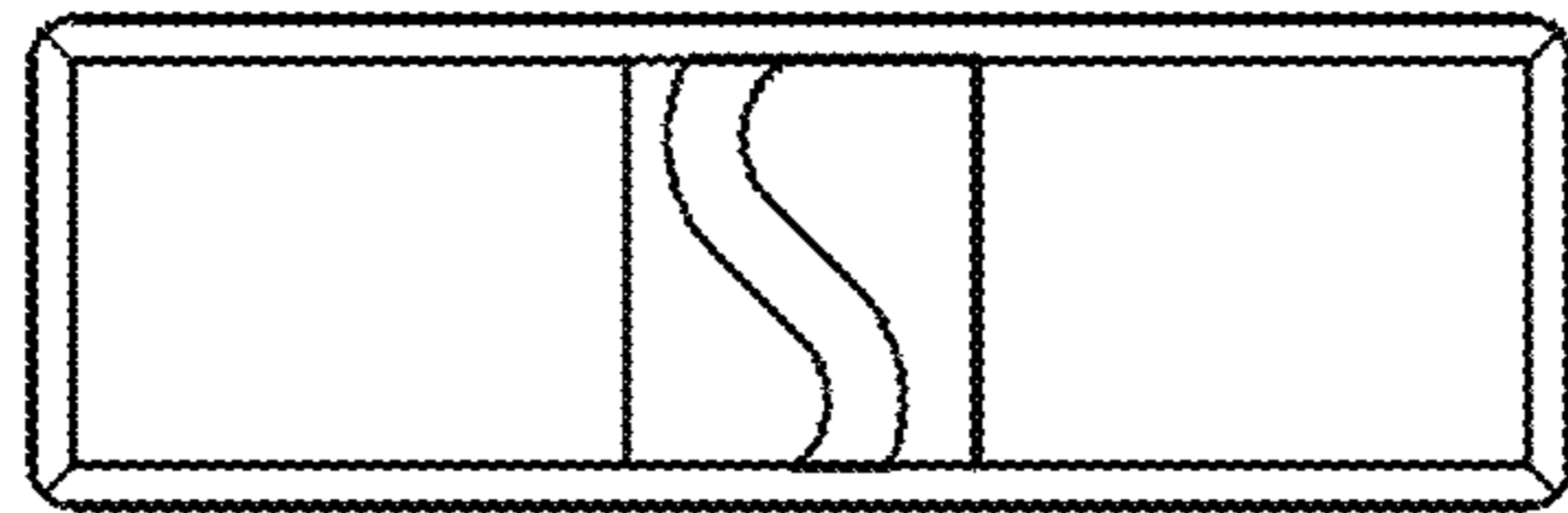


FIG. 6



FIG. 7



FIG. 8