



US00D770924S

(12) **United States Design Patent**
Bürgel

(10) **Patent No.:** **US D770,924 S**
(45) **Date of Patent:** **** Nov. 8, 2016**

(54) **TIRE BALANCING WEIGHT**
(71) Applicant: **Wegmann automotive GmbH & Co. KG**, Veitshöchheim (DE)
(72) Inventor: **Hans-Ulrich Bürgel**, Roden (DE)
(73) Assignee: **WEGMANN AUTOMOTIVE GMBH & CO. KG**, Veitshöchheim (DE)

729,489 A * 5/1903 Olger A63F 1/02
15/424
2,049,918 A * 8/1936 Marsh F16F 15/324
254/131
2,640,727 A * 6/1953 Kennedy F16F 15/328
152/154.1

(Continued)

(**) Term: **14 Years**

EM 002092924-0001 8/2012
EM 002092924-0002 8/2012

(Continued)

(21) Appl. No.: **29/521,604**

(22) Filed: **Mar. 25, 2015**

FOREIGN PATENT DOCUMENTS

(30) **Foreign Application Priority Data**

U.S. Appl. No. 29/498,025, Vogler, filed Jul. 30, 2014.

(Continued)

Oct. 6, 2014 (EM) 002551325-0001
Oct. 6, 2014 (EM) 002551325-0002
Oct. 6, 2014 (EM) 002551325-0003
Oct. 6, 2014 (EM) 002551325-0004

Primary Examiner — Antoine D Davis
(74) *Attorney, Agent, or Firm* — Norton Rose Fulbright
US LLP

(51) **LOC (10) Cl.** **10-04**

(52) **U.S. Cl.**
USPC **D10/94**

(57) **CLAIM**

The ornamental design for tire balancing weight, as shown and described.

(58) **Field of Classification Search**
USPC D10/94; D21/372, 373, 391, 680;
D25/113, 118
CPC F16F 15/32; F16F 15/322; F16F 15/324;
F16F 15/326; F16F 15/328; F16F 15/34;
F16F 15/345; F16F 15/36; F16F 15/3363;
F16F 15/366; F16F 2230/0005; F16F
2230/0011; B60B 15/28; G01M 1/30
See application file for complete search history.

DESCRIPTION

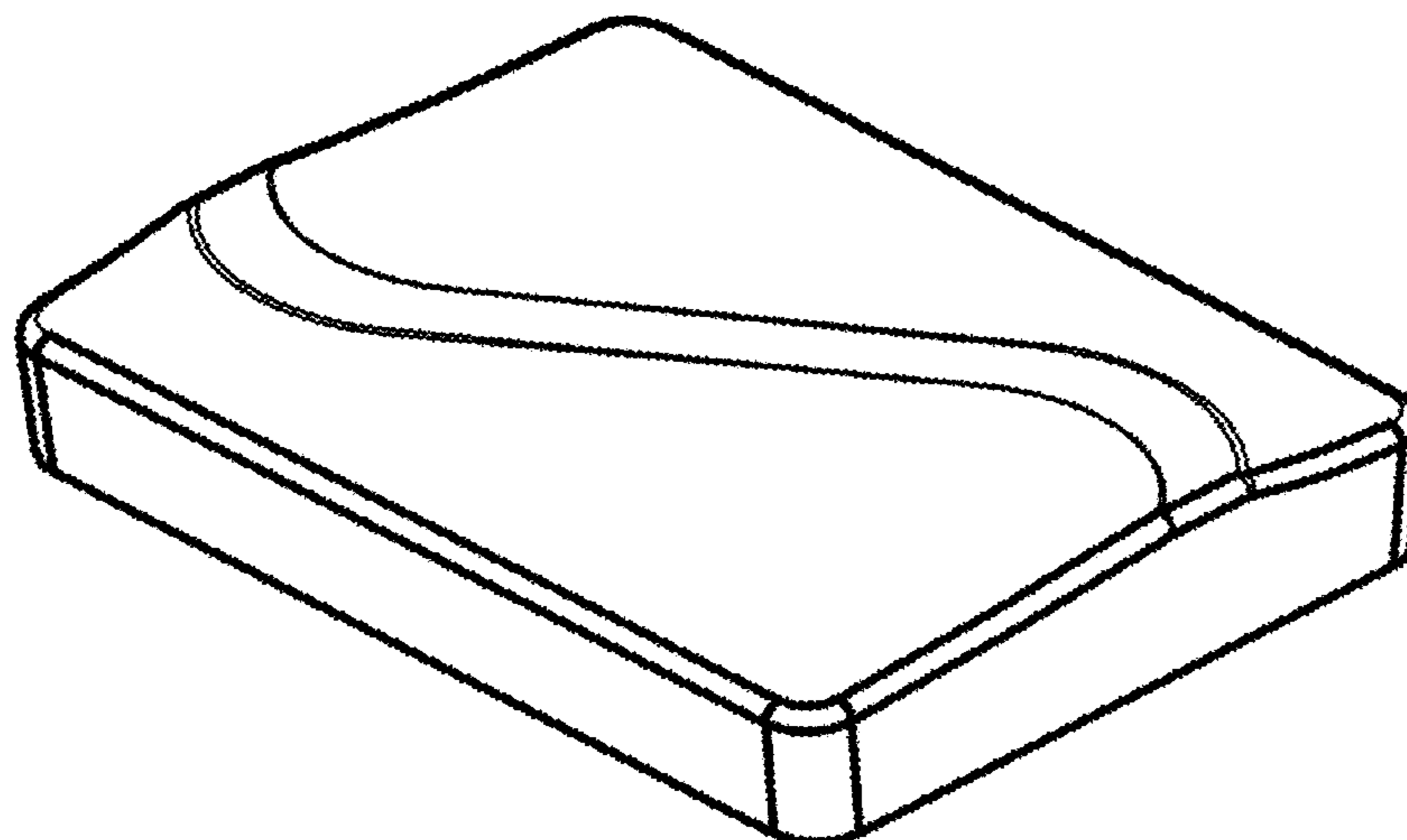
FIG. 1 is a perspective view of a first embodiment of my design for a balancing weight for tires;
FIG. 2 is a top view of the first embodiment;
FIG. 3 is a bottom view of the first embodiment;
FIG. 4 is a left side view of the first embodiment;
FIG. 5 is a right side view of the first embodiment;
FIG. 6 is a front view of the first embodiment; and,
FIG. 7 is a rear view of the first embodiment.
All other surface(s) or portion(s) of the tire balancing weight not shown in the figures or otherwise described in the specification form no part of the claimed design.

(56) **References Cited**

U.S. PATENT DOCUMENTS

49,174 A * 8/1865 Burkhardt D01H 7/2216
43/93
56,913 A * 8/1866 Edgerton D03D 49/24
114/77 R

1 Claim, 2 Drawing Sheets



(56)

References Cited

U.S. PATENT DOCUMENTS

6,286,906	B1 *	9/2001	Nagashima	F16F 15/328 301/5.21
D461,853	S *	8/2002	Cheng	D21/391
6,547,338	B2 *	4/2003	Gross	G01M 1/326 301/5.21
6,592,188	B2 *	7/2003	Yamaguchi	F16F 15/328 301/5.21
6,659,567	B2 *	12/2003	Yamaguchi	F16F 15/328 301/5.21
6,701,802	B2 *	3/2004	Bogen	F16F 15/34 464/180
6,874,856	B2 *	4/2005	Yoshimura	F16F 15/328 301/5.21
7,044,561	B2 *	5/2006	Petchel	F16F 15/328 301/5.21
7,566,101	B2 *	7/2009	Jenkins	F16F 15/324 301/5.21
8,449,042	B2 *	5/2013	Yamaguchi	F16F 15/328 301/5.21
D709,779	S *	7/2014	Burgel	D10/94
D710,225	S *	8/2014	Burgel	D10/94
D729,664	S *	5/2015	Burgel	D10/94
D729,665	S *	5/2015	Burgel	D10/94
D729,666	S *	5/2015	Burgel	D10/94
9,169,895	B2 *	10/2015	Everhard	F16F 15/345

FOREIGN PATENT DOCUMENTS

EM	002092924-0003	8/2012
EM	002092924-0004	8/2012
EM	002292748-0001	8/2013
EM	002292748-0002	8/2013

EM	002292748-0003	8/2013
EM	002395590-0001	1/2014
EM	002395590-0002	1/2014
EM	002395590-0003	1/2014
EM	002395590-0004	1/2014
EM	002395590-0005	1/2014
EM	002395590-0006	1/2014
EM	002395590-0007	1/2014
EM	002395590-0008	1/2014
EM	002551291-0001	10/2014
EM	002551291-0002	10/2014
EM	002551291-0003	10/2014
EM	002551291-0004	10/2014
EM	002551309-0001	10/2014
EM	002551309-0002	10/2014
EM	002551309-0003	10/2014
EM	002551309-0004	10/2014
EM	002551333-0001	10/2014
EM	002551333-0002	10/2014
EM	002551333-0003	10/2014
EM	002551333-0004	10/2014
EM	002551341-0001	10/2014
EM	002551341-0002	10/2014
EM	002551341-0003	10/2014
EM	002551341-0004	10/2014
EM	002551341-0005	10/2014
EM	002551341-0006	10/2014

OTHER PUBLICATIONS

U.S. Appl. No. 29/521,587, Bode, filed Mar. 25, 2015.
 U.S. Appl. No. 29/521,594, Bode, filed Mar. 25, 2015.
 U.S. Appl. No. 29/521,610, Bode, filed Mar. 25, 2015.
 U.S. Appl. No. 29/521,615, Bode, filed Mar. 25, 2015.

* cited by examiner

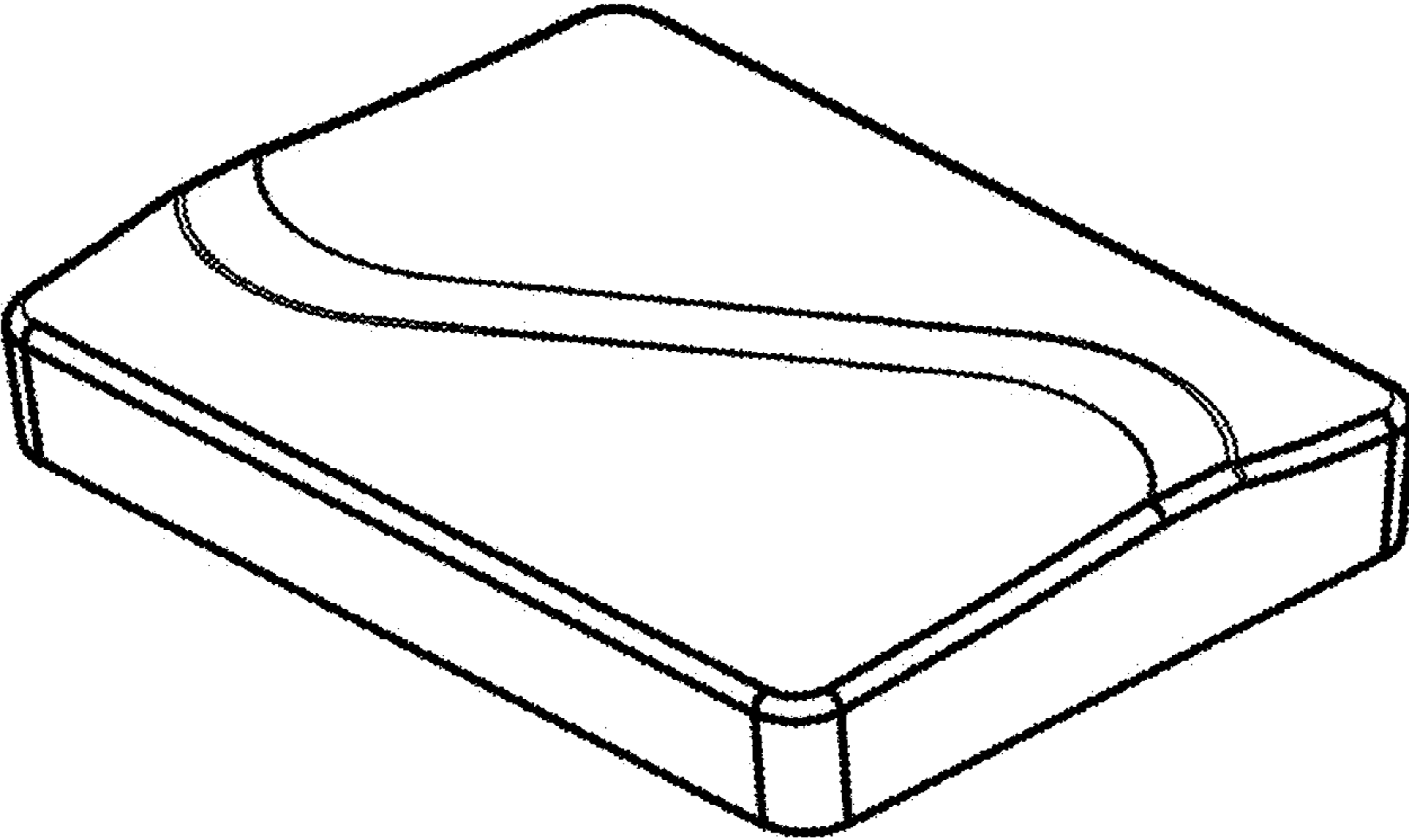


FIG. 1

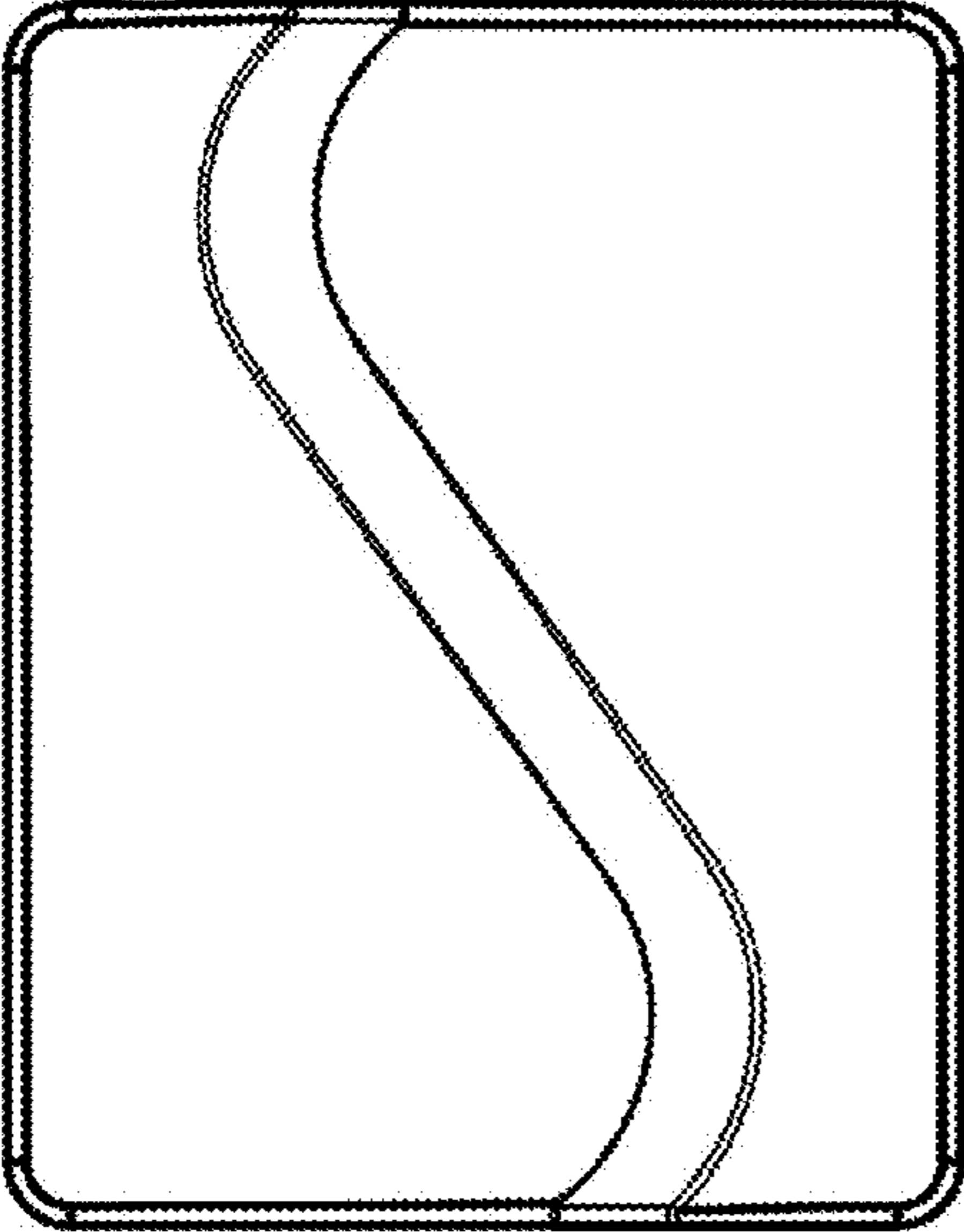


FIG. 2

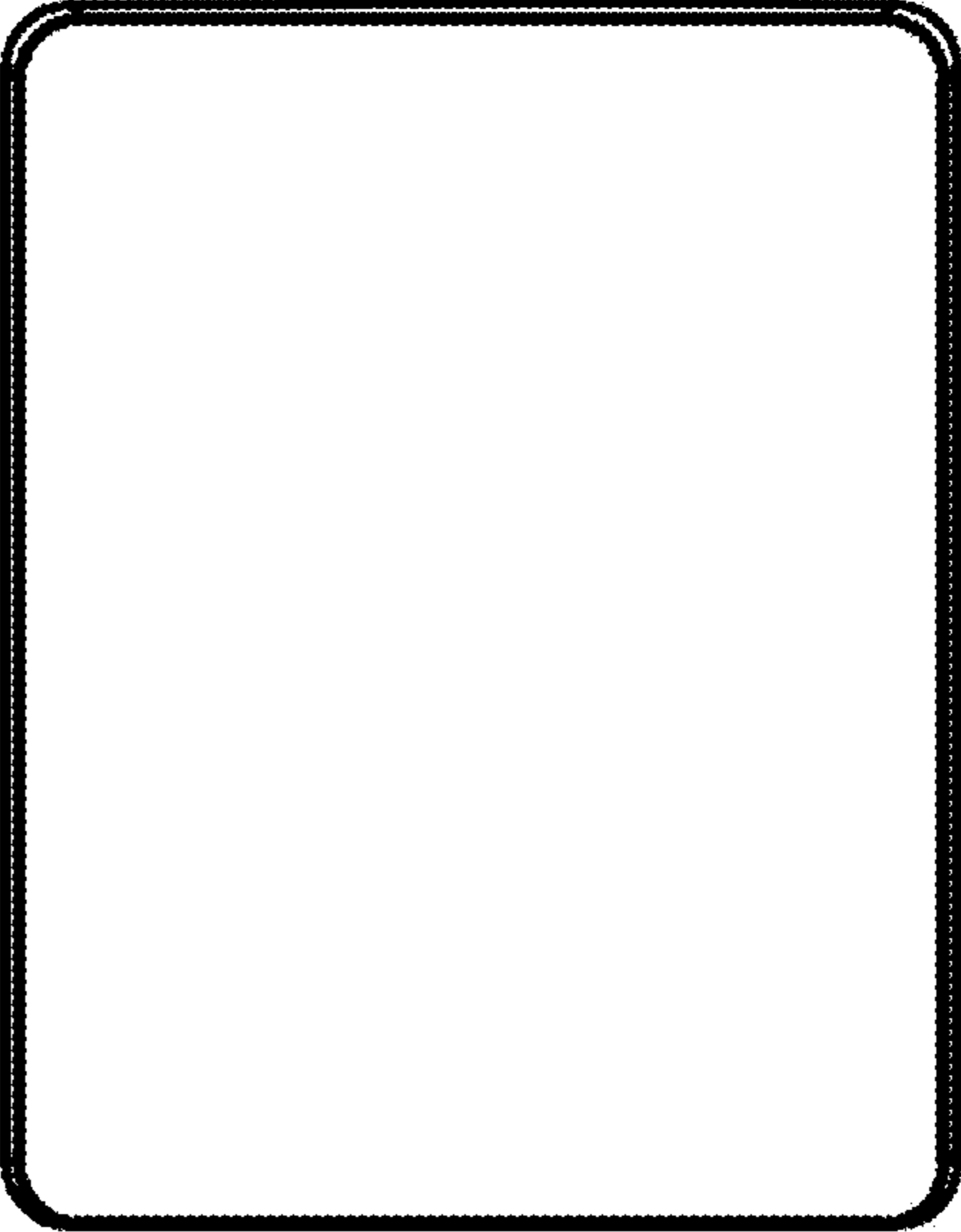


FIG. 3



FIG. 4



FIG. 5

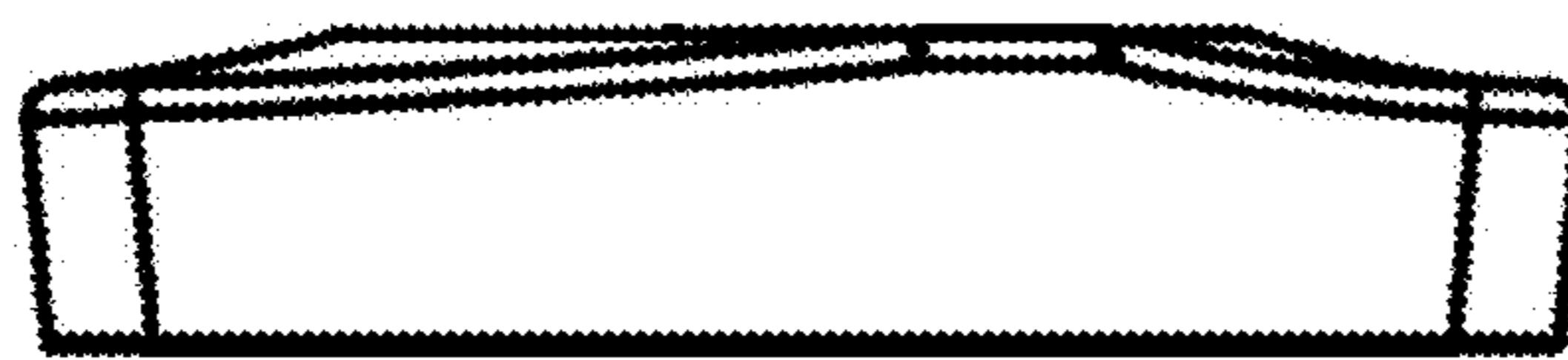


FIG. 6

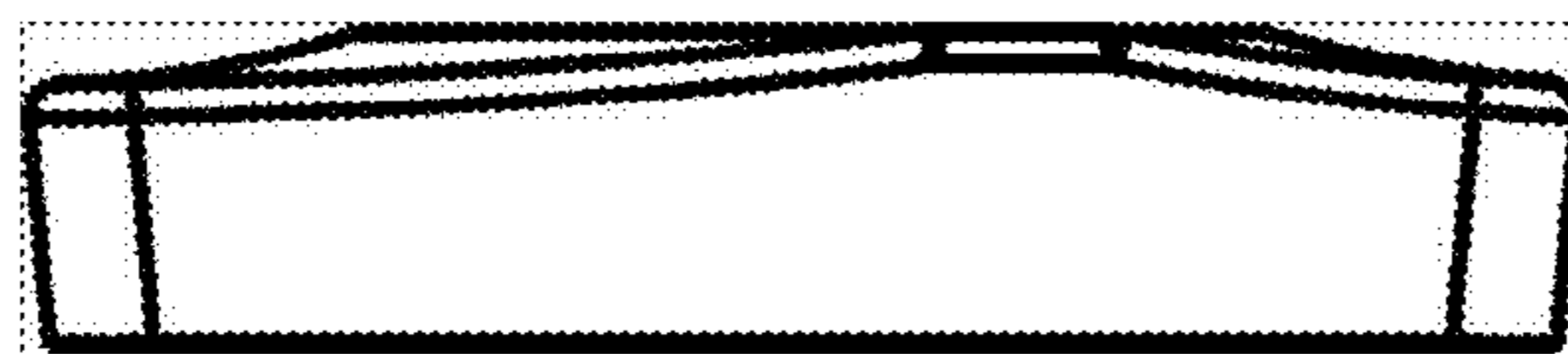


FIG. 7