



US00D770923S

(12) **United States Design Patent** (10) **Patent No.:** **US D770,923 S**  
**Bode** (45) **Date of Patent:** **\*\* Nov. 8, 2016**

(54) **TIRE BALANCING WEIGHTS** 2,049,918 A \* 8/1936 Marsh ..... F16F 15/324  
254/131  
(71) Applicant: **Wegmann automotive GmbH & Co.** 2,640,727 A \* 6/1953 Kennedy ..... F16F 15/328  
**KG, Veitshöchheim (DE)** 152/154.1  
6,286,906 B1 \* 9/2001 Nagashima ..... F16F 15/328  
301/5.21  
(72) Inventor: **Felix Bode, Veitshöchheim (DE)** D461,853 S \* 8/2002 Cheng ..... D21/391  
6,547,338 B2 \* 4/2003 Gross ..... G01M 1/326  
301/5.21  
(73) Assignee: **WEGMANN AUTOMOTIVE GMBH**  
**& CO. KG, Veitshöchheim (DE)** (Continued)

(\*\*) Term: **14 Years**

FOREIGN PATENT DOCUMENTS

(21) Appl. No.: **29/521,594** EM 002092924-0001 8/2012  
EM 002092924-0002 8/2012

(22) Filed: **Mar. 25, 2015** (Continued)

(30) **Foreign Application Priority Data**

OTHER PUBLICATIONS

Oct. 6, 2014 (EM) ..... 002551309-0001  
Oct. 6, 2014 (EM) ..... 002551309-0002  
Oct. 6, 2014 (EM) ..... 002551309-0003  
Oct. 6, 2014 (EM) ..... 002551309-0004

U.S. Appl. No. 29/498,025, Vogler, filed Jul. 30, 2014.

(Continued)

(51) **LOC (10) Cl.** ..... **10-04**  
(52) **U.S. Cl.**  
USPC ..... **D10/94**

*Primary Examiner* — Antoine D Davis

(74) *Attorney, Agent, or Firm* — Norton Rose Fulbright  
US LLP

(58) **Field of Classification Search**  
USPC ..... D10/94; D21/372, 373, 391, 680;  
D25/113, 118  
CPC ..... F16F 15/32; F16F 15/322; F16F 15/324;  
F16F 15/326; F16F 15/328; F16F 15/34;  
F16F 15/345; F16F 15/36; F16F 15/3363;  
F16F 15/366; F16F 2230/0005; F16F  
2230/0011; B60B 15/28; G01M 1/30  
See application file for complete search history.

(57) **CLAIM**

The ornamental design for tire balancing weights, as shown  
and described.

**DESCRIPTION**

FIG. 1 is a perspective view of a first embodiment of my  
design for a balancing weight for tires;  
FIG. 2 is a top view of the first embodiment;  
FIG. 3 is a bottom view of the first embodiment;  
FIG. 4 is a left side view of the first embodiment, the right  
side view being a mirror image thereof; and,  
FIG. 5 is a front view of the first embodiment, the rear view  
being a mirror image thereof.

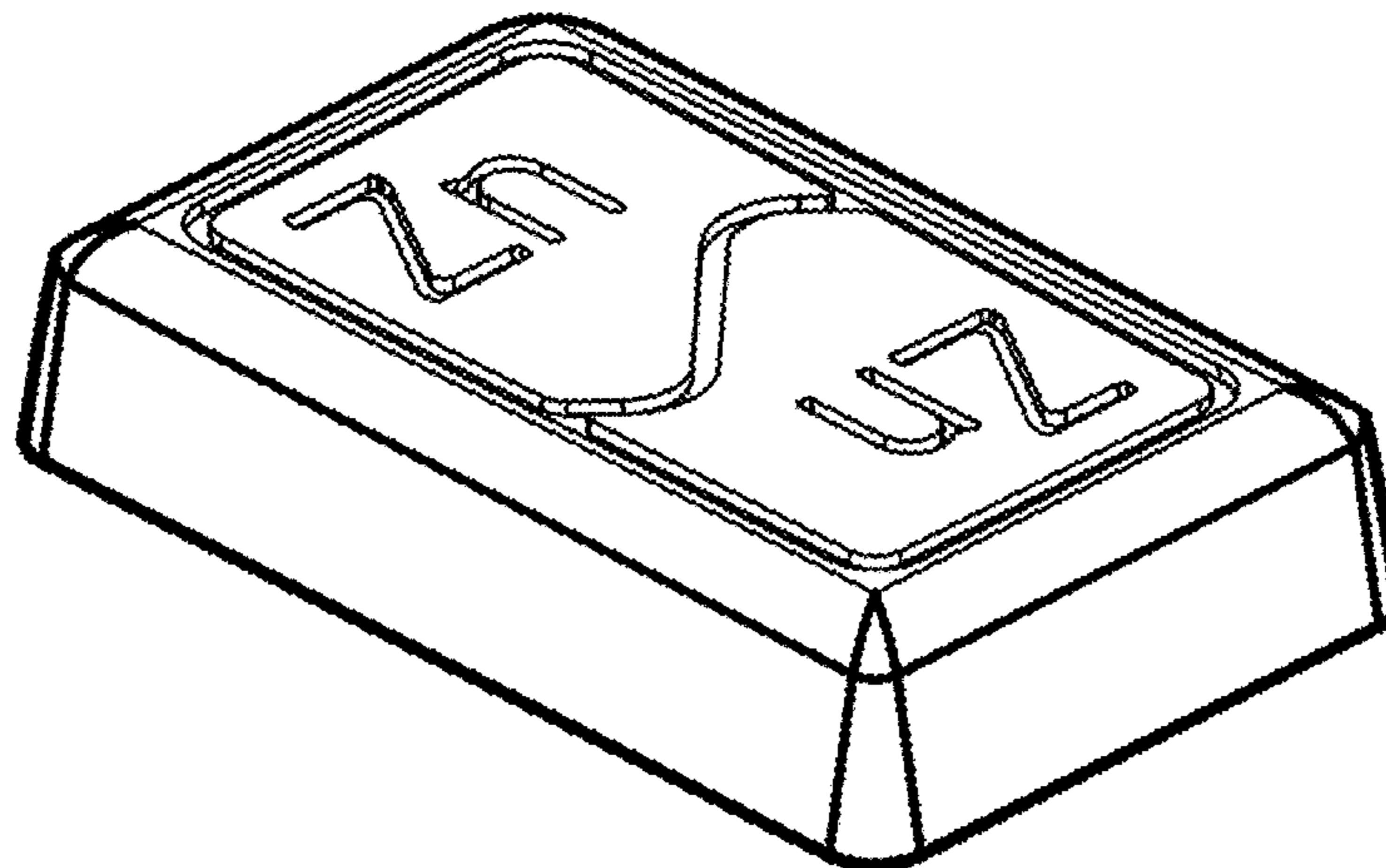
All other surface(s) or portion(s) of the tire balancing  
weights not shown in the figures or otherwise described in  
the specification form no part of the claimed design.

(56) **References Cited**

U.S. PATENT DOCUMENTS

49,174 A \* 8/1865 Burkhardt ..... D01H 7/2216  
43/93  
56,913 A \* 8/1866 Edgerton ..... D03D 49/24  
114/77 R  
729,489 A \* 5/1903 Olger ..... A63F 1/02  
15/424

**1 Claim, 2 Drawing Sheets**



(56)

**References Cited**

U.S. PATENT DOCUMENTS

6,592,188	B2 *	7/2003	Yamaguchi .....	F16F 15/328
				301/5.21
6,659,567	B2 *	12/2003	Yamaguchi .....	F16F 15/328
				301/5.21
6,701,802	B2 *	3/2004	Bogen .....	F16F 15/34
				464/180
6,874,856	B2 *	4/2005	Yoshimura .....	F16F 15/328
				301/5.21
7,044,561	B2 *	5/2006	Petchel .....	F16F 15/328
				301/5.21
7,566,101	B2 *	7/2009	Jenkins .....	F16F 15/324
				301/5.21
8,449,042	B2 *	5/2013	Yamaguchi .....	F16F 15/328
				301/5.21
D709,779	S *	7/2014	Burgel .....	D10/94
D710,225	S *	8/2014	Burgel .....	D10/94
D729,664	S *	5/2015	Burgel .....	D10/94
D729,665	S *	5/2015	Burgel .....	D10/94
D729,666	S *	5/2015	Burgel .....	D10/94
9,169,895	B2 *	10/2015	Everhard .....	F16F 15/345

EM	002395590-0003	1/2014
EM	002395590-0004	1/2014
EM	002395590-0005	1/2014
EM	002395590-0006	1/2014
EM	002395590-0007	1/2014
EM	002395590-0008	1/2014
EM	002551291-0001	10/2014
EM	002551291-0002	10/2014
EM	002551291-0003	10/2014
EM	002551291-0004	10/2014
EM	002551325-0001	10/2014
EM	002551325-0002	10/2014
EM	002551325-0003	10/2014
EM	002551325-0004	10/2014
EM	002551333-0001	10/2014
EM	002551333-0002	10/2014
EM	002551333-0003	10/2014
EM	002551333-0004	10/2014
EM	002551341-0001	10/2014
EM	002551341-0002	10/2014
EM	002551341-0003	10/2014
EM	002551341-0004	10/2014
EM	002551341-0005	10/2014
EM	002551341-0006	10/2014

FOREIGN PATENT DOCUMENTS

EM	002092924-0003	8/2012
EM	002092924-0004	8/2012
EM	002292748-0001	8/2013
EM	002292748-0002	8/2013
EM	002292748-0003	8/2013
EM	002395590-0001	1/2014
EM	002395590-0002	1/2014

OTHER PUBLICATIONS

U.S. Appl. No. 29/521,587, Bode, filed Mar. 25, 2015.  
 U.S. Appl. No. 29/521,604, Burgel, filed Mar. 25, 2015.  
 U.S. Appl. No. 29/521,610, Bode, filed Mar. 25, 2015.  
 U.S. Appl. No. 29/521,615, Bode, filed Mar. 25, 2015.

\* cited by examiner

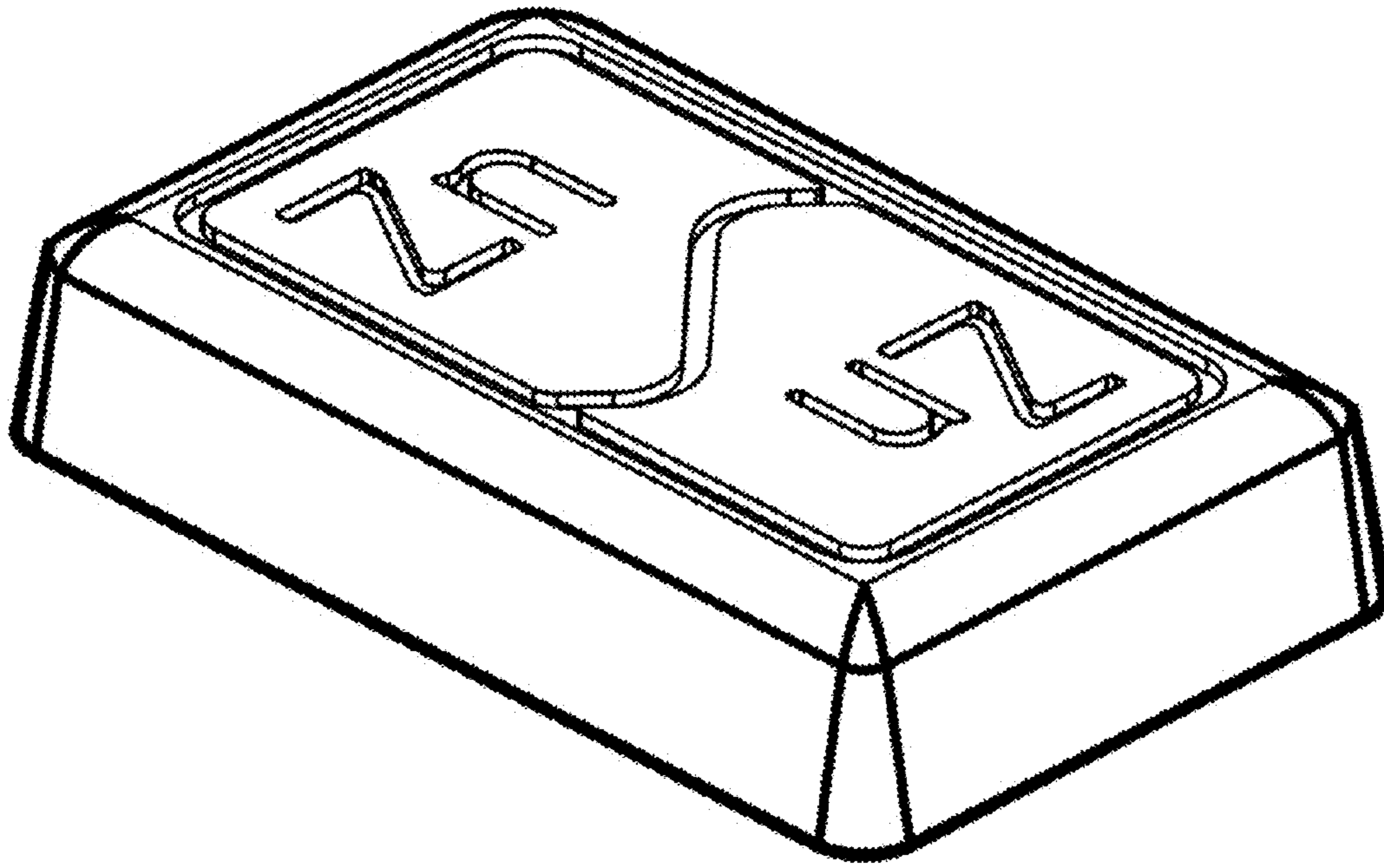


FIG. 1

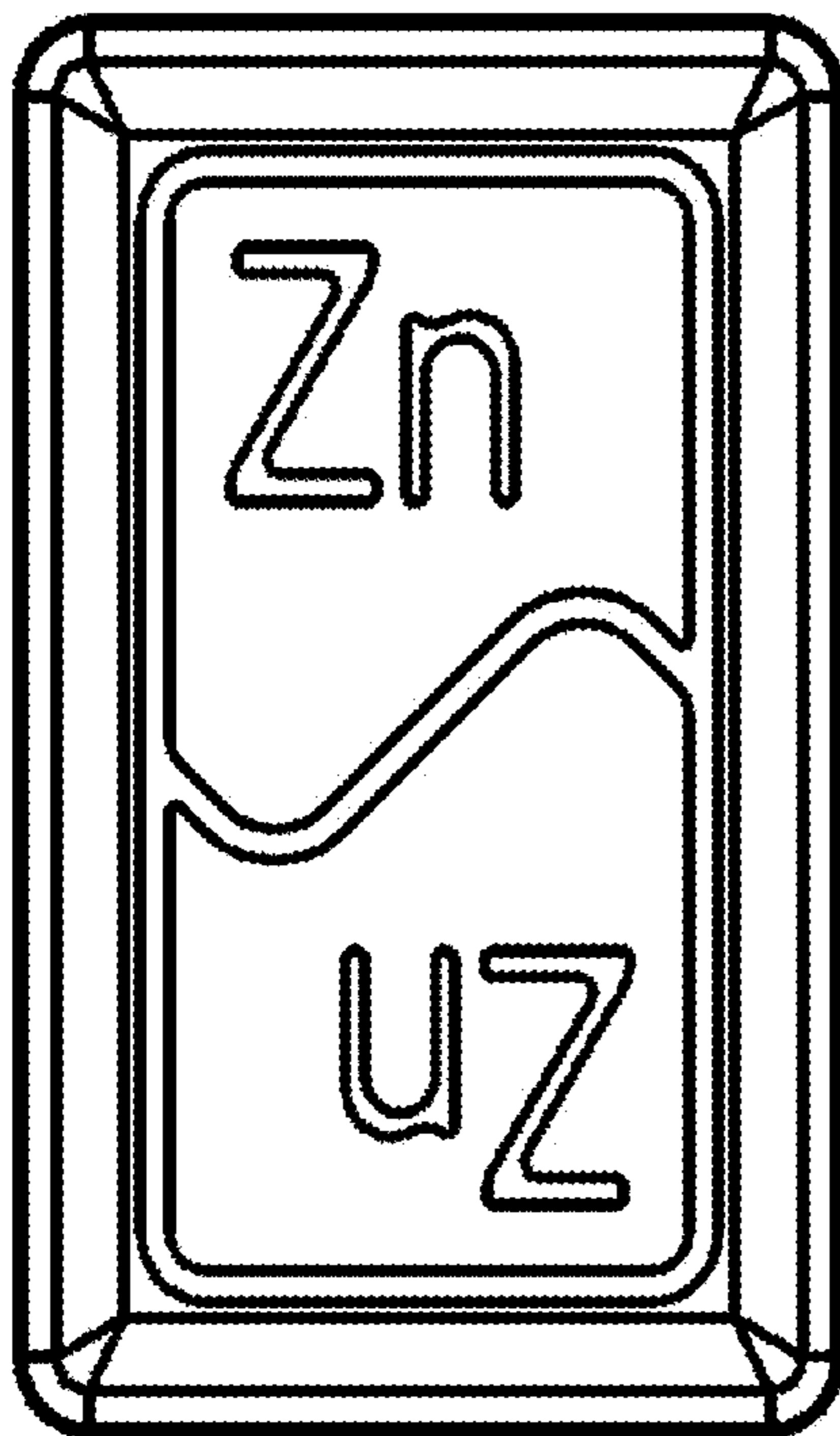


FIG. 2

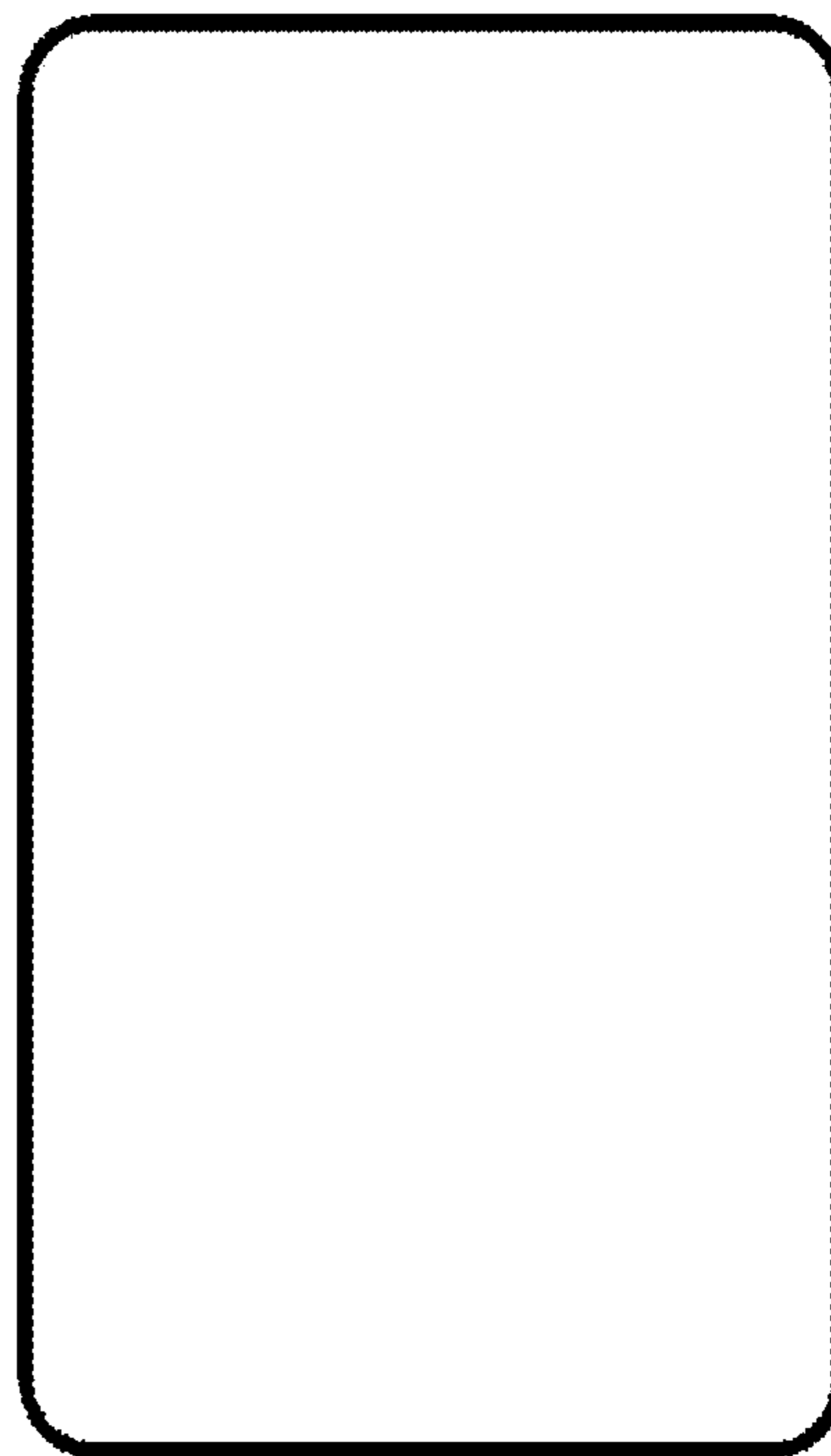


FIG. 3

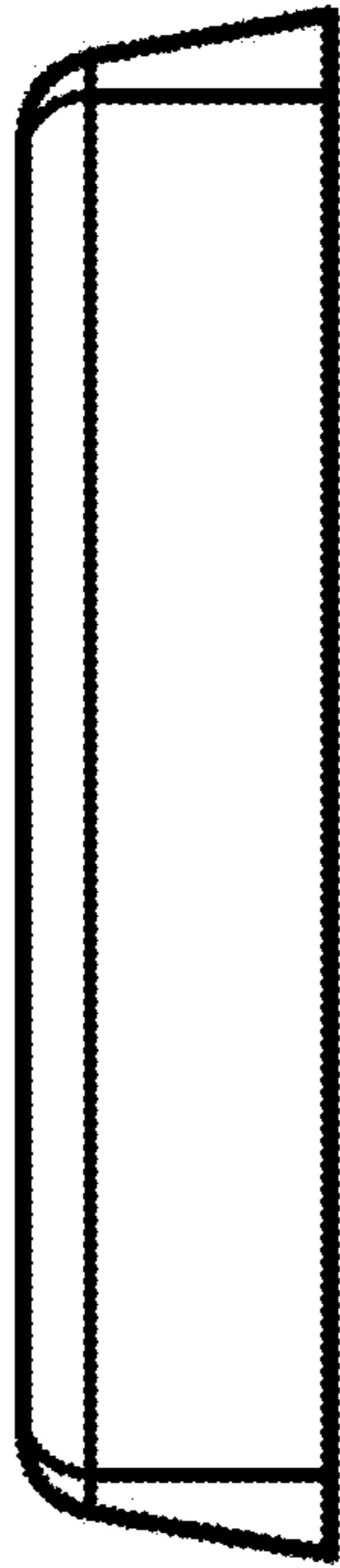


FIG. 4



FIG. 5