



US00D770922S

(12) **United States Design Patent** (10) **Patent No.:** **US D770,922 S**  
**Bode** (45) **Date of Patent:** **\*\* Nov. 8, 2016**

(54) **TIRE BALANCING WEIGHT** 2,049,918 A \* 8/1936 Marsh ..... F16F 15/324  
254/131  
(71) Applicant: **Wegmann automotive GmbH & Co.** 2,640,727 A \* 6/1953 Kennedy ..... F16F 15/328  
**KG, Veitshöchheim (DE)** 152/154.1  
6,286,906 B1 \* 9/2001 Nagashima ..... F16F 15/328  
301/5.21  
(72) Inventor: **Felix Bode, Veitshöchheim (DE)** D461,853 S \* 8/2002 Cheng ..... D21/391  
6,547,338 B2 \* 4/2003 Gross ..... G01M 1/326  
301/5.21  
(73) Assignee: **WEGMANN AUTOMOTIVE GMBH**  
**& CO. KG, Veitshöchheim (DE)** (Continued)

(\*\*) Term: **14 Years**

FOREIGN PATENT DOCUMENTS

(21) Appl. No.: **29/521,587**

EM 002092924-0001 8/2012  
EM 002092924-0002 8/2012

(22) Filed: **Mar. 25, 2015**

(Continued)

(30) **Foreign Application Priority Data**

OTHER PUBLICATIONS

Oct. 6, 2014 (EM) ..... 002551291-0001  
Oct. 6, 2014 (EM) ..... 002551291-0002  
Oct. 6, 2014 (EM) ..... 002551291-0003  
Oct. 6, 2014 (EM) ..... 002551291-0004

U.S. Appl. No. 29/498,025, Vogler, filed Jul. 30, 2014.

(Continued)

(51) **LOC (10) Cl.** ..... **10-04**  
(52) **U.S. Cl.**  
USPC ..... **D10/94**

*Primary Examiner* — Antoine D Davis

(74) *Attorney, Agent, or Firm* — Norton Rose Fulbright  
US LLP

(58) **Field of Classification Search**  
USPC ..... D10/94; D21/372, 373, 391, 680;  
D25/113, 118  
CPC ..... F16F 15/32; F16F 15/322; F16F 15/324;  
F16F 15/326; F16F 15/328; F16F 15/34;  
F16F 15/345; F16F 15/36; F16F 15/3363;  
F16F 15/366; F16F 2230/0005; F16F  
2230/0011; B60B 15/28; G01M 1/30  
See application file for complete search history.

(57) **CLAIM**

The ornamental design for tire balancing weight, as shown  
and described.

**DESCRIPTION**

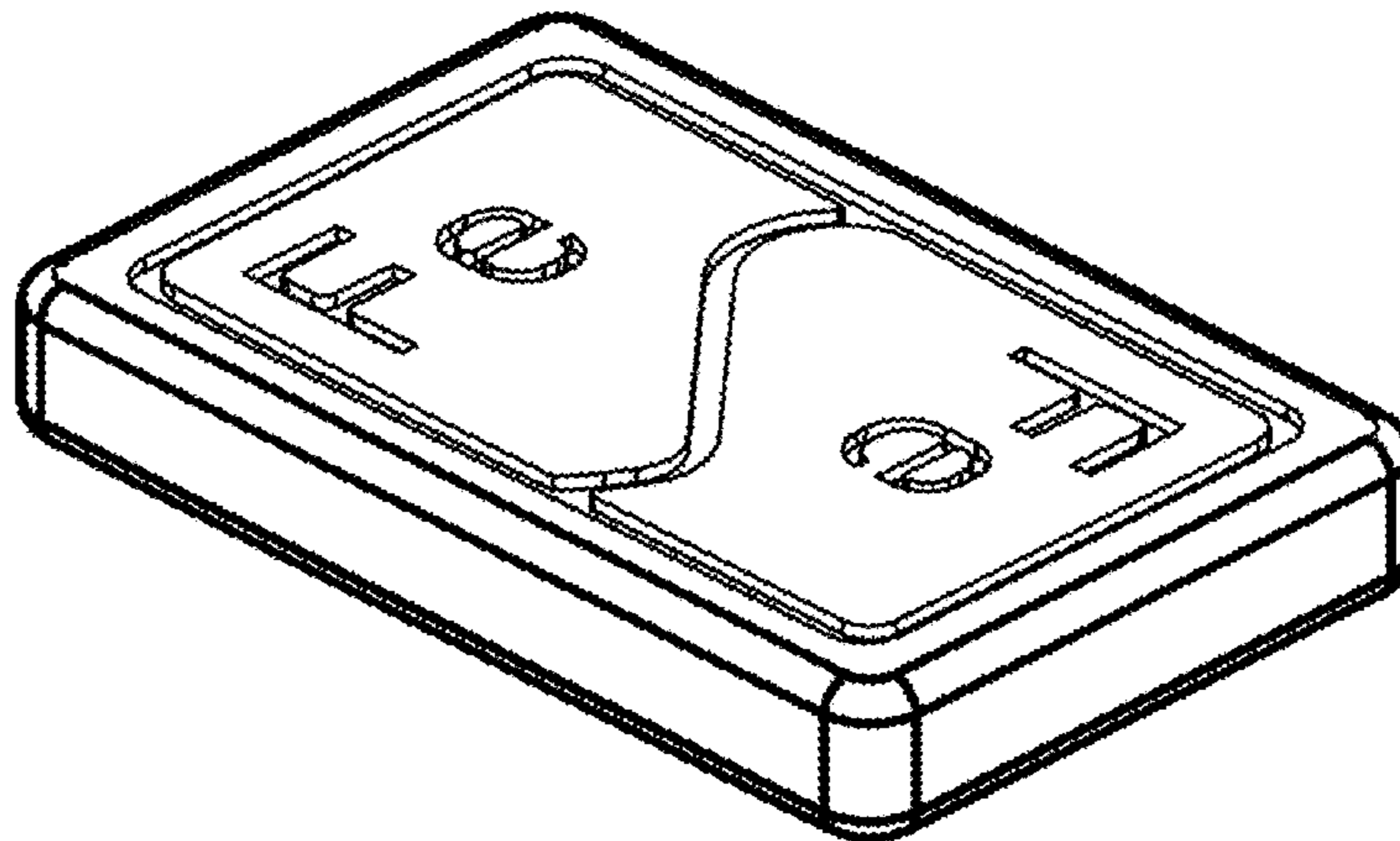
FIG. 1 is a perspective view of my design for a balancing  
weight for tires;  
FIG. 2 is a top view of my design;  
FIG. 3 is a bottom view of my design;  
FIG. 4 is a left side view of my design, the right side view  
being a mirror image thereof; and,  
FIG. 5 is a front view of my design, the rear view being a  
mirror image thereof.  
All other surface(s) or portion(s) of the tire balancing weight  
not shown in the figures or otherwise described in the  
specification form no part of the claimed design.

(56) **References Cited**

U.S. PATENT DOCUMENTS

49,174 A \* 8/1865 Burkhardt ..... D01H 7/2216  
43/93  
56,913 A \* 8/1866 Edgerton ..... D03D 49/24  
114/77 R  
729,489 A \* 5/1903 Olger ..... A63F 1/02  
15/424

**1 Claim, 2 Drawing Sheets**



(56)

References Cited

U.S. PATENT DOCUMENTS

6,592,188 B2 \* 7/2003 Yamaguchi ..... F16F 15/328  
 301/5.21  
 6,659,567 B2 \* 12/2003 Yamaguchi ..... F16F 15/328  
 301/5.21  
 6,701,802 B2 \* 3/2004 Bogen ..... F16F 15/34  
 464/180  
 6,874,856 B2 \* 4/2005 Yoshimura ..... F16F 15/328  
 301/5.21  
 7,044,561 B2 \* 5/2006 Petchel ..... F16F 15/328  
 301/5.21  
 7,566,101 B2 \* 7/2009 Jenkins ..... F16F 15/324  
 301/5.21  
 8,449,042 B2 \* 5/2013 Yamaguchi ..... F16F 15/328  
 301/5.21  
 D709,779 S \* 7/2014 Burgel ..... D10/94  
 D710,225 S \* 8/2014 Burgel ..... D10/94  
 D729,664 S \* 5/2015 Burgel ..... D10/94  
 D729,665 S \* 5/2015 Burgel ..... D10/94  
 D729,666 S \* 5/2015 Burgel ..... D10/94  
 9,169,895 B2 \* 10/2015 Everhard ..... F16F 15/345

EM 002395590-0003 1/2014  
 EM 002395590-0004 1/2014  
 EM 002395590-0005 1/2014  
 EM 002395590-0006 1/2014  
 EM 002395590-0007 1/2014  
 EM 002395590-0008 1/2014  
 EM 002551309-0001 10/2014  
 EM 002551309-0002 10/2014  
 EM 002551309-0003 10/2014  
 EM 002551309-0004 10/2014  
 EM 002551325-0001 10/2014  
 EM 002551325-0002 10/2014  
 EM 002551325-0003 10/2014  
 EM 002551325-0004 10/2014  
 EM 002551333-0001 10/2014  
 EM 002551333-0002 10/2014  
 EM 002551333-0003 10/2014  
 EM 002551333-0004 10/2014  
 EM 002551341-0001 10/2014  
 EM 002551341-0002 10/2014  
 EM 002551341-0003 10/2014  
 EM 002551341-0004 10/2014  
 EM 002551341-0005 10/2014  
 EM 002551341-0006 10/2014

FOREIGN PATENT DOCUMENTS

EM 002092924-0003 8/2012  
 EM 002092924-0004 8/2012  
 EM 002292748-0001 8/2013  
 EM 002292748-0002 8/2013  
 EM 002292748-0003 8/2013  
 EM 002395590-0001 1/2014  
 EM 002395590-0002 1/2014

OTHER PUBLICATIONS

U.S. Appl. No. 29/521,594, Bode, filed Mar. 25, 2015.  
 U.S. Appl. No. 29/521,604, Burgel, filed Mar. 25, 2015.  
 U.S. Appl. No. 29/521,610, Bode, filed Mar. 25, 2015.  
 U.S. Appl. No. 29/521,615, Bode, filed Mar. 25, 2015.

\* cited by examiner

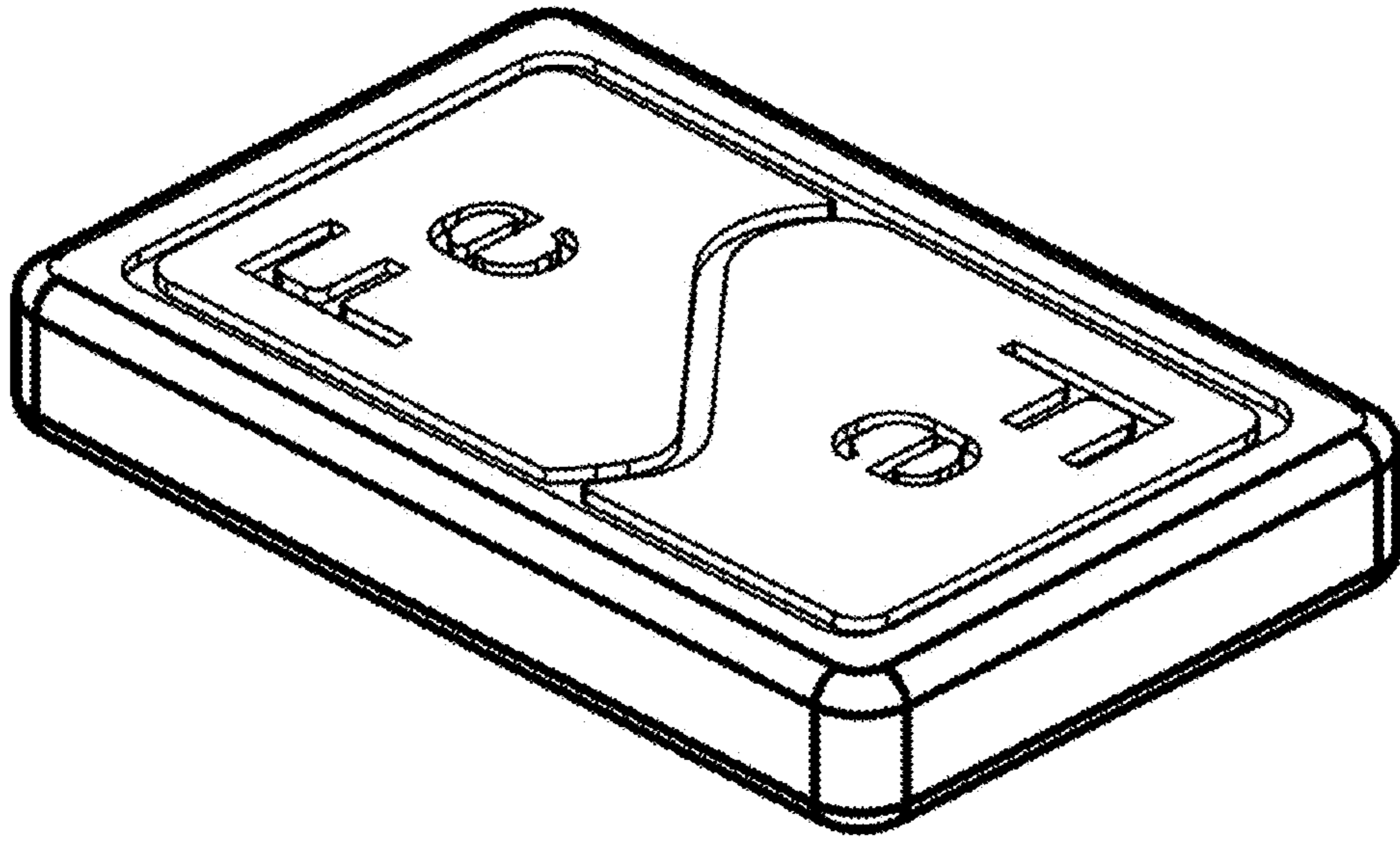


FIG. 1

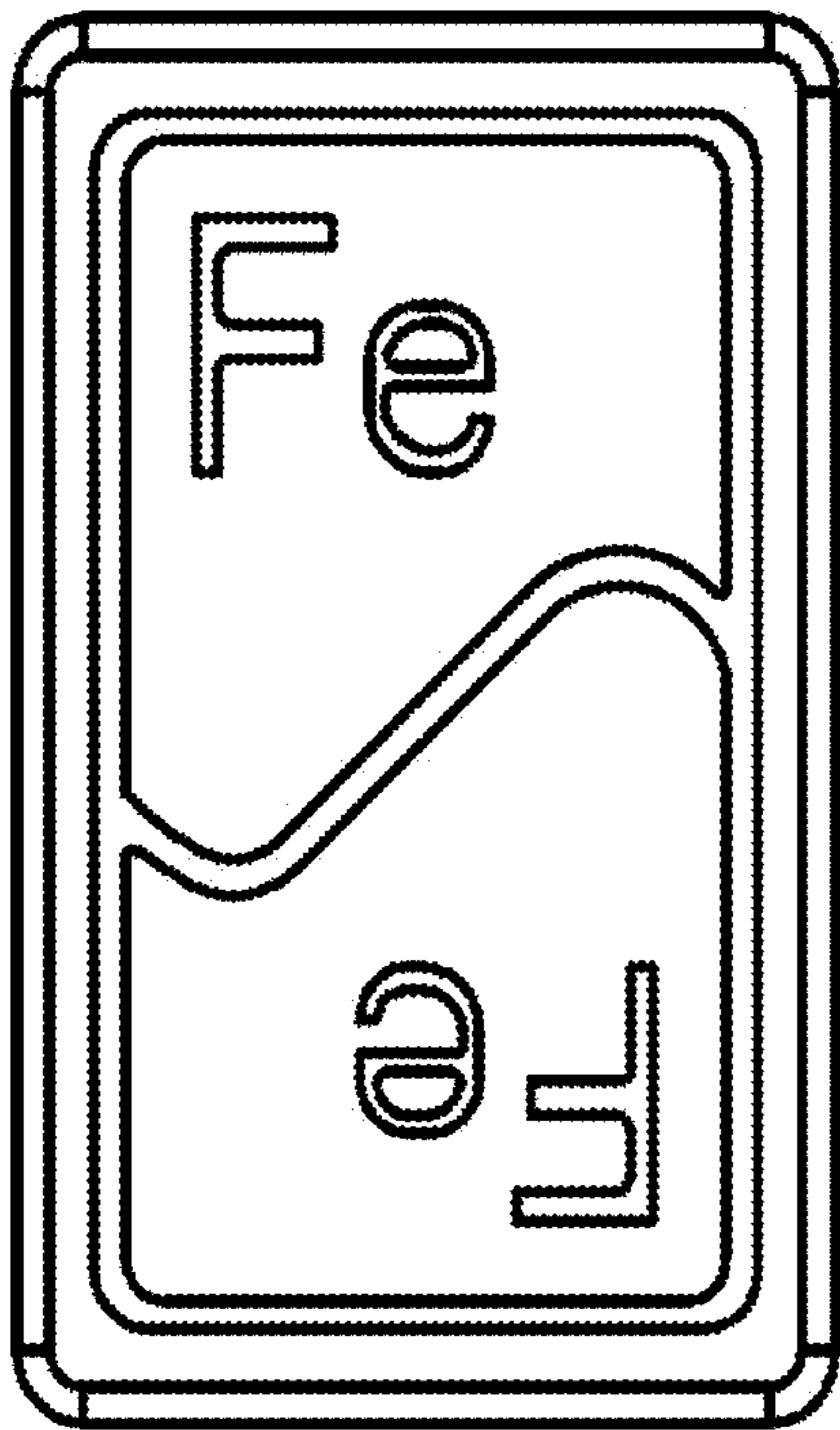


FIG. 2

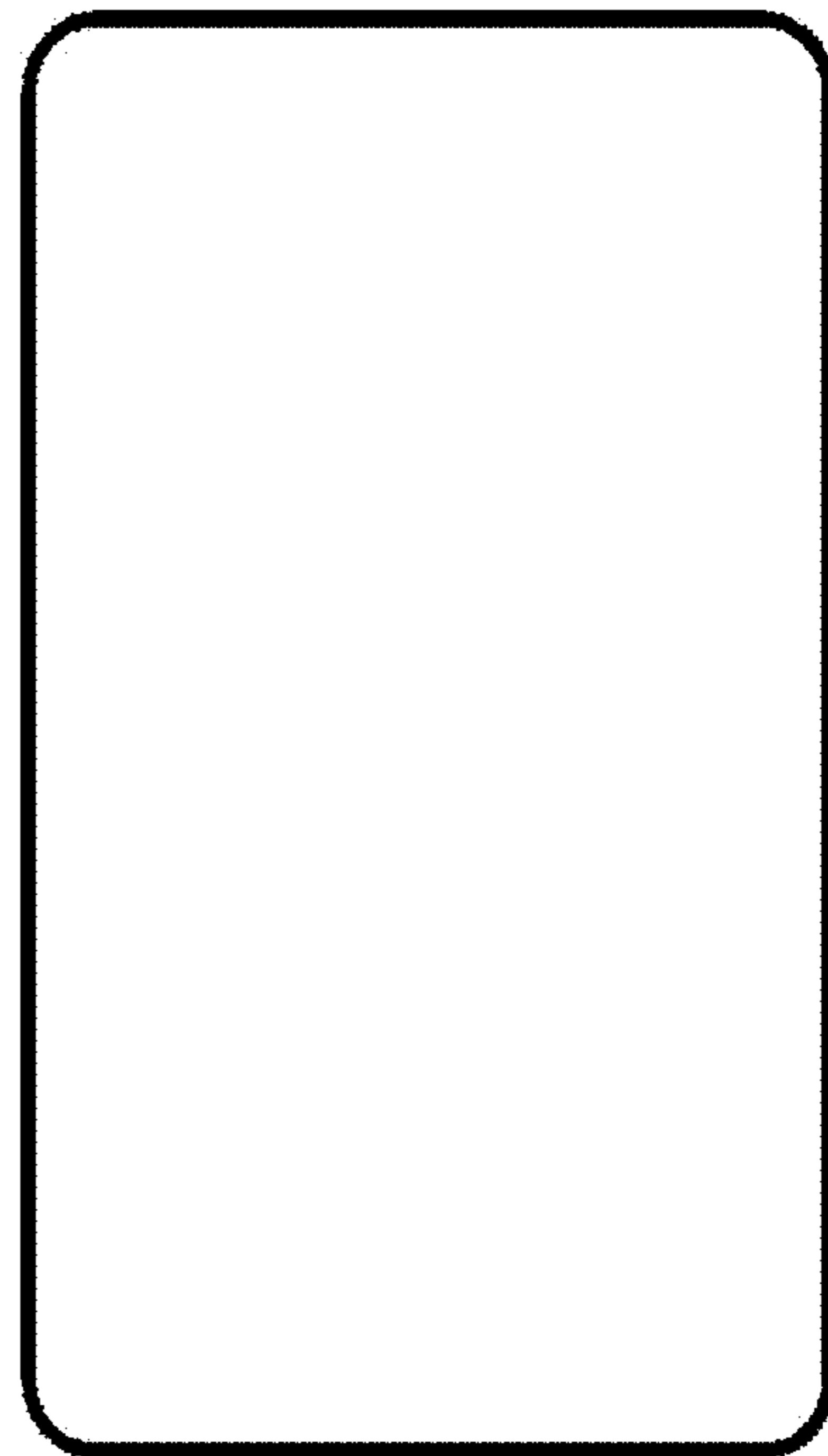


FIG. 3

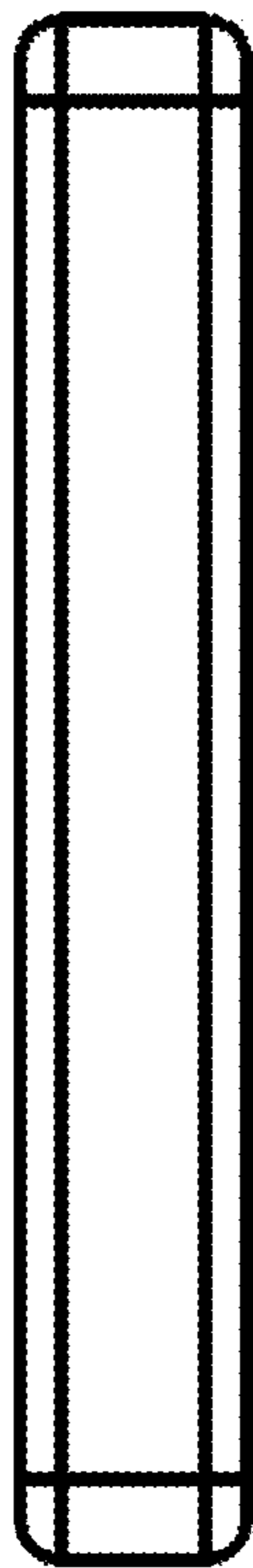


FIG. 4



FIG. 5