



US00D770921S

(12) **United States Design Patent** (10) **Patent No.:** **US D770,921 S**  
**Nenonen** (45) **Date of Patent:** **\*\* Nov. 8, 2016**

(54) **SPECTRAL SENSOR**  
(71) Applicant: **Spectral Engines Oy**, Helsinki (FI)  
(72) Inventor: **Ville Nenonen**, Helsinki (FI)  
(73) Assignee: **Spectral Engines Oy**, Helsinki (FI)  
(\*\*) Term: **14 Years**  
(21) Appl. No.: **29/519,180**  
(22) Filed: **Mar. 3, 2015**

D733,593 S \* 7/2015 de Groot ..... D10/56  
\* cited by examiner

*Primary Examiner* — Antoine D Davis  
(74) *Attorney, Agent, or Firm* — D. Peter Hochberg; Sean F. Mellino

(30) **Foreign Application Priority Data**  
Sep. 3, 2014 (EM) ..... 002530261-0001  
(51) **LOC (10) Cl.** ..... **10-04**  
(52) **U.S. Cl.**  
USPC ..... **D10/81**  
(58) **Field of Classification Search**  
USPC ..... D10/81  
CPC .... G01J 3/0291; G01J 3/0259; G01J 3/0256;  
G01J 3/0272; G01J 1/02; G01J 1/0204;  
G01J 1/0237; G01J 2003/0257; G01J  
2003/0261; G01J 3/4532; G01J 3/45; G01N  
35/00871; G01N 2021/3595; G01N 21/658;  
G02B 26/001  
See application file for complete search history.

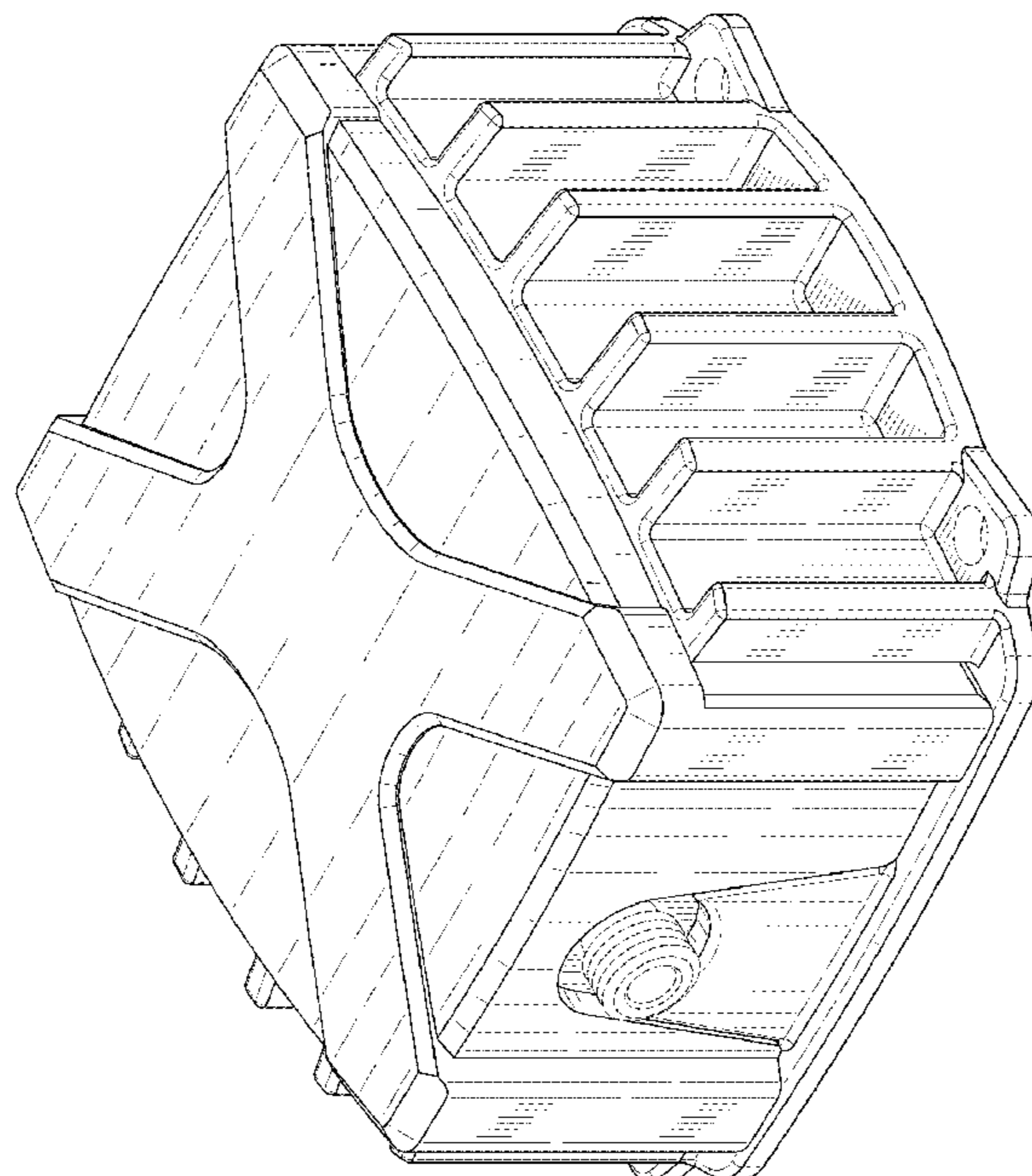
(57) **CLAIM**  
The ornamental design for a spectral sensor, as shown and described.

(56) **References Cited**  
U.S. PATENT DOCUMENTS  
D557,156 S \* 12/2007 Kon ..... D10/81  
D603,731 S \* 11/2009 Shibayama ..... D10/81  
7,733,493 B2 \* 6/2010 Urey ..... G01J 3/4532  
356/451

**DESCRIPTION**

FIG. 1 is a perspective view of the spectral sensor according to the present invention;  
FIG. 2 is a top view of the spectral sensor according to the present invention as shown in FIG. 1;  
FIG. 3 is a short side view of the spectral sensor according to the present invention as shown in FIG. 1;  
FIG. 4 is a short side view of the spectral sensor according to the present invention as shown in FIG. 1, shown from the opposing short side view as that shown in FIG. 3;  
FIG. 5 is a long side view of the spectral sensor according to the present invention as shown in FIG. 1;  
FIG. 6 is a long side view of the spectral sensor according to the present invention as shown in FIG. 1, shown from the opposing long side view as that shown in FIG. 5; and,  
FIG. 7 is a bottom view of the spectral sensor according to the present invention as shown in FIG. 1.  
The broken lines depicted in the figures represent the bounds of the claimed design and form no part of the claimed design.

**1 Claim, 6 Drawing Sheets**



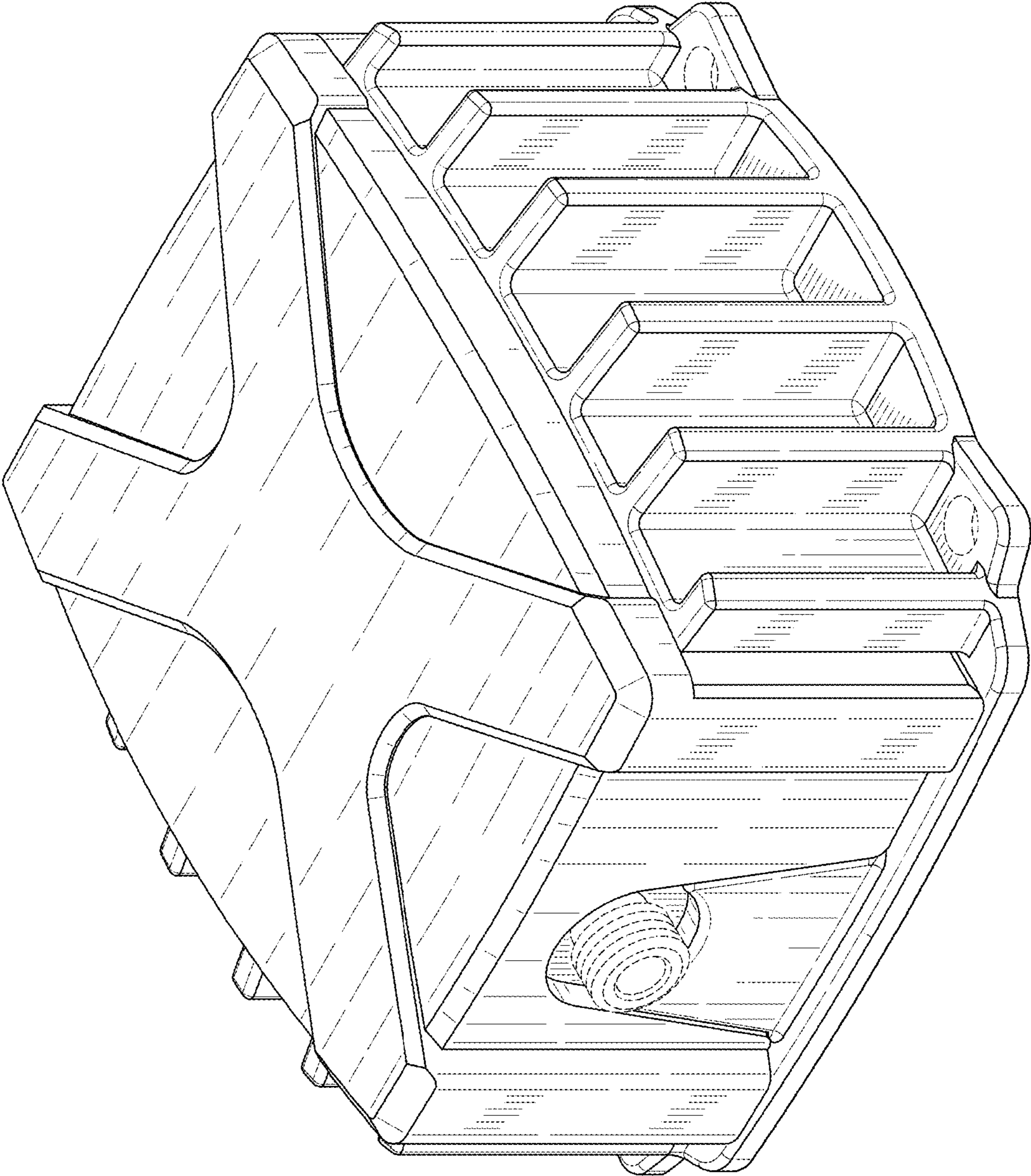


FIG-1

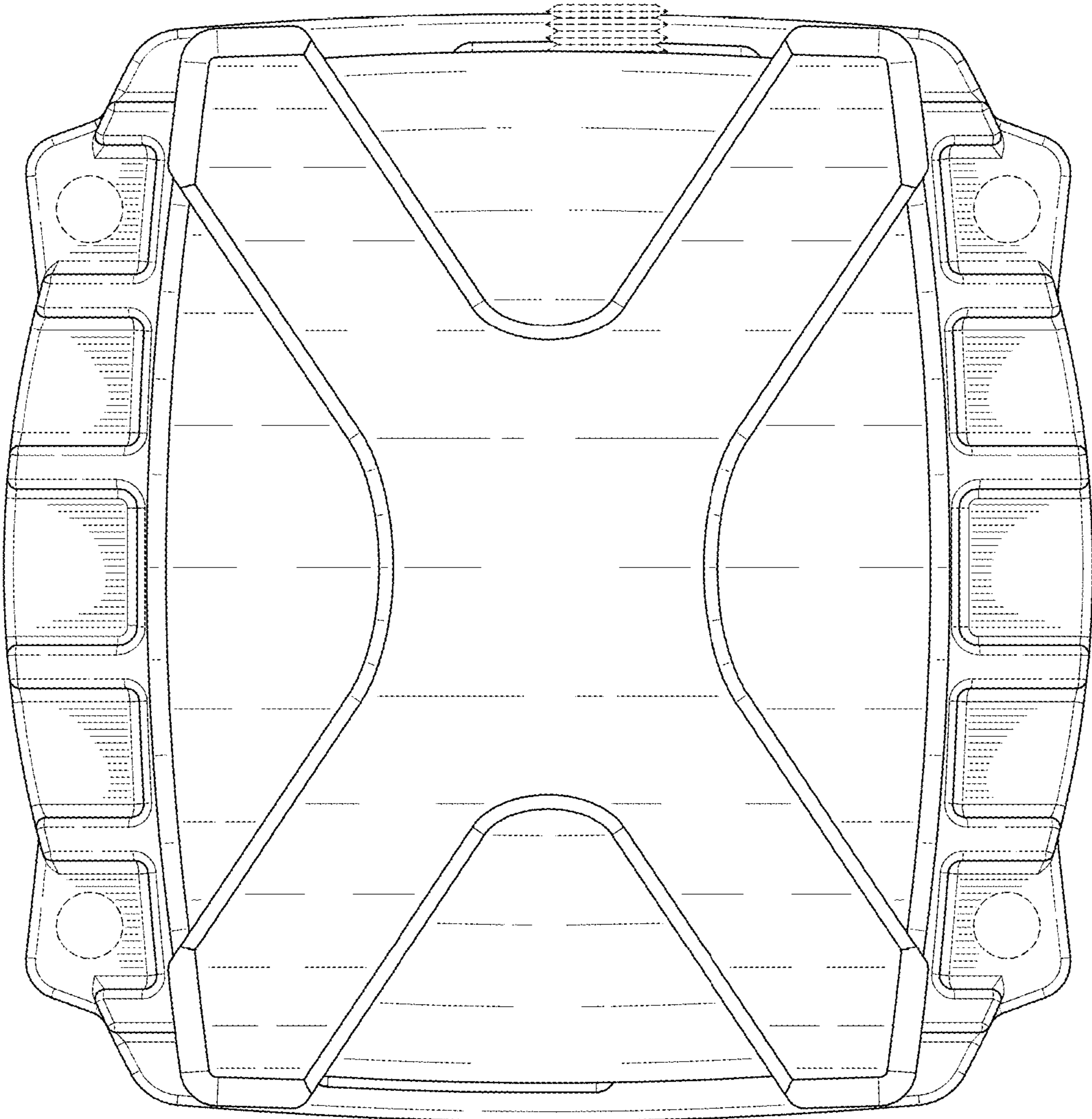


FIG-2

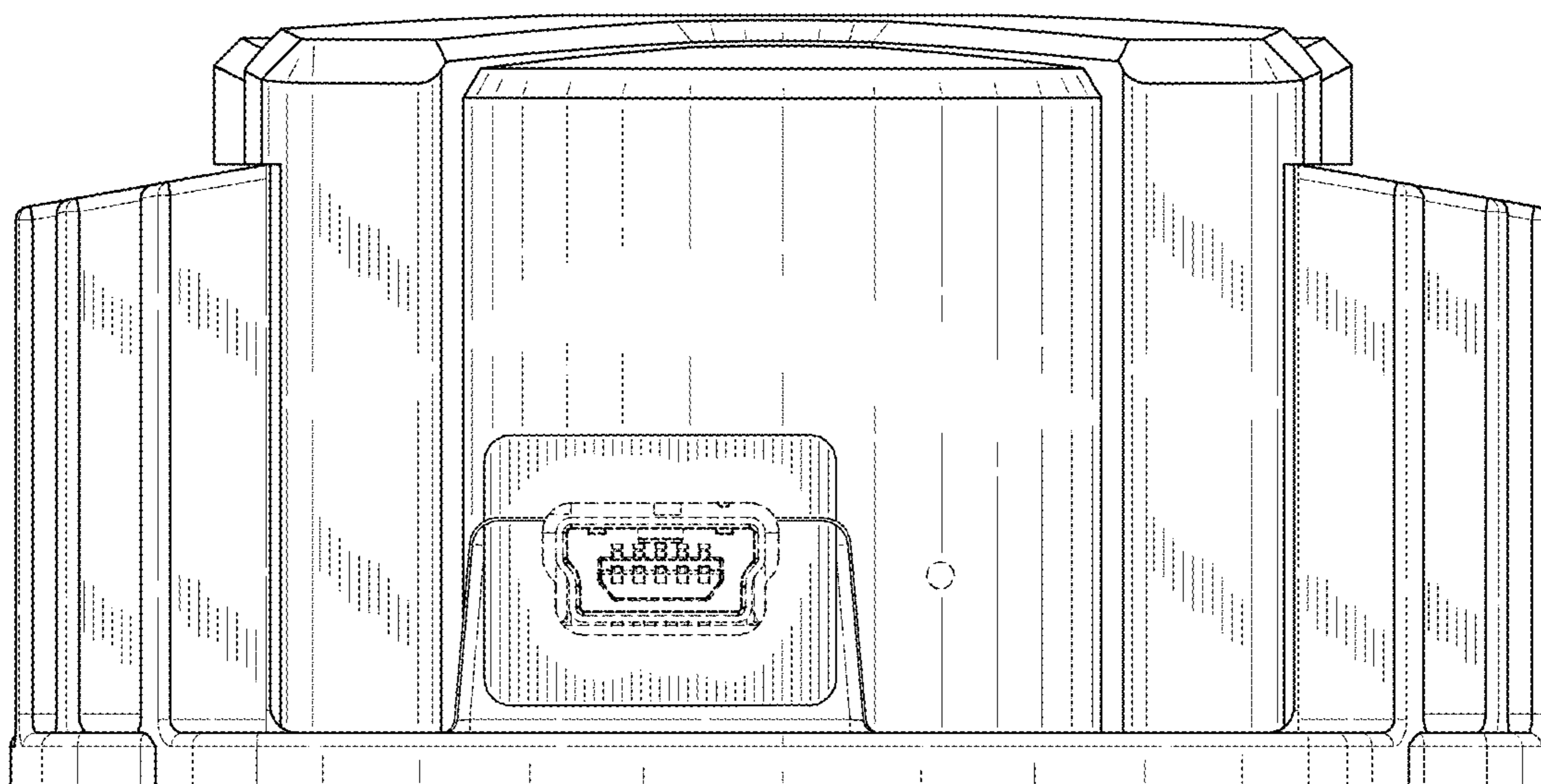


FIG-3

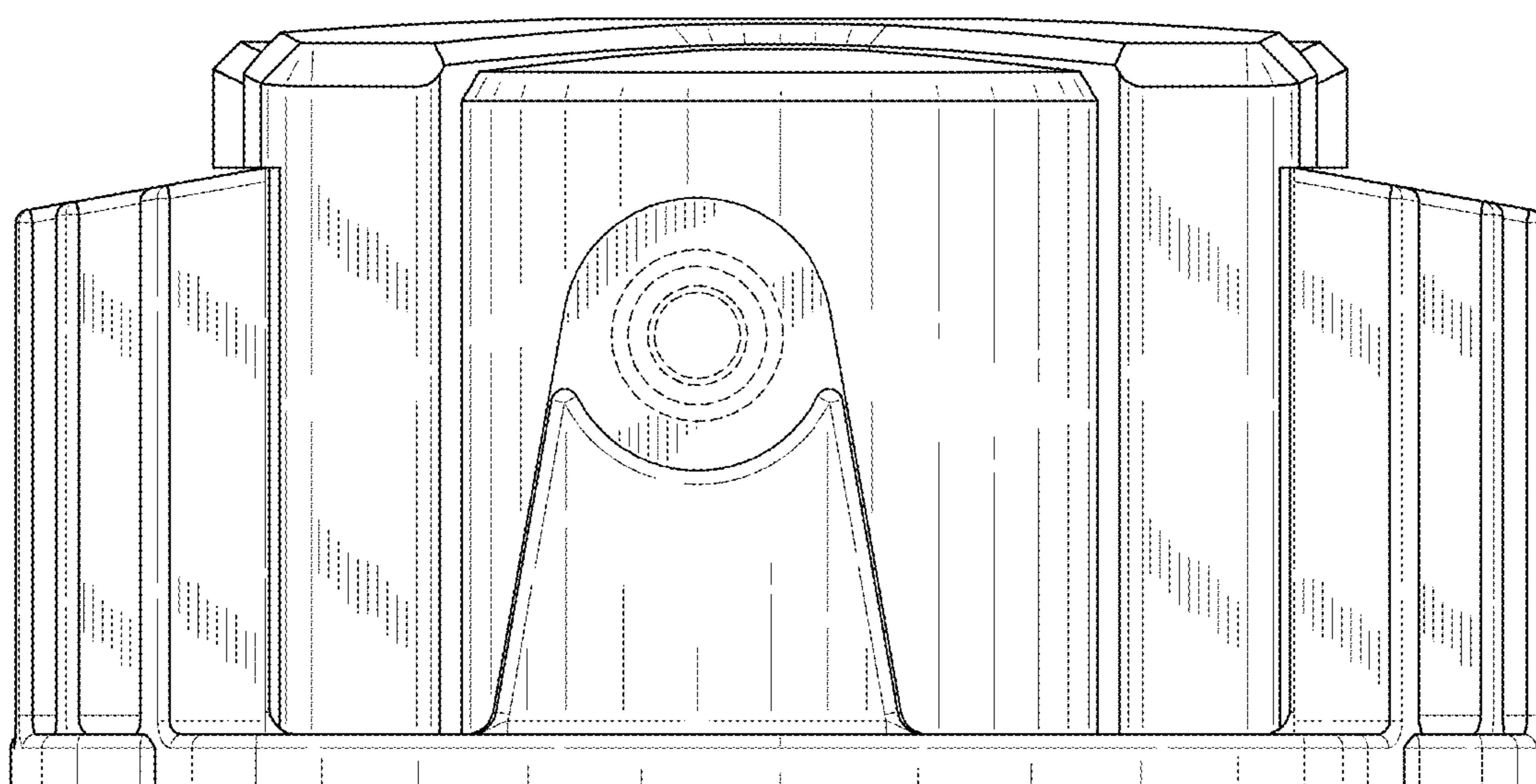


FIG-4

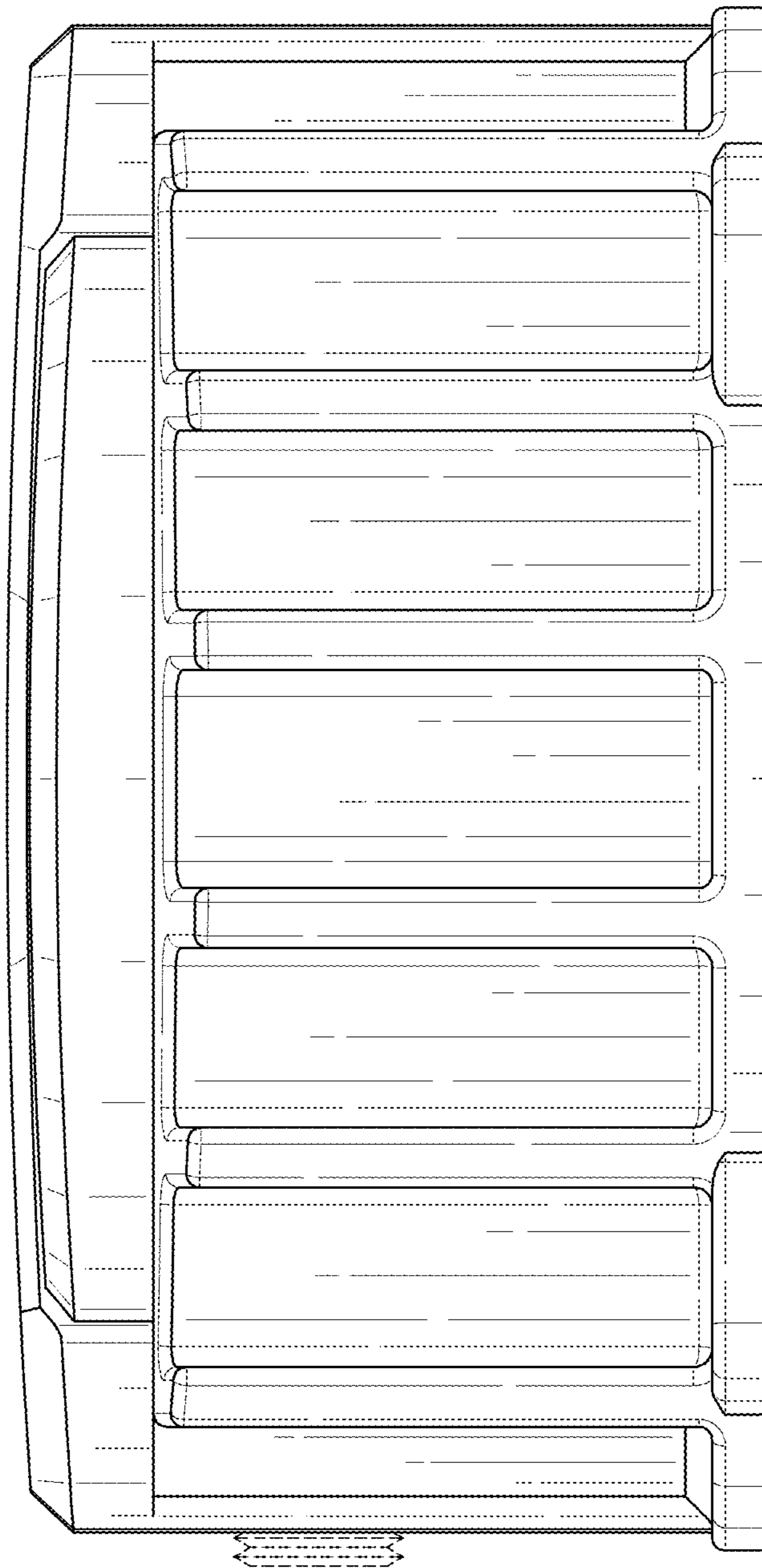


FIG-5

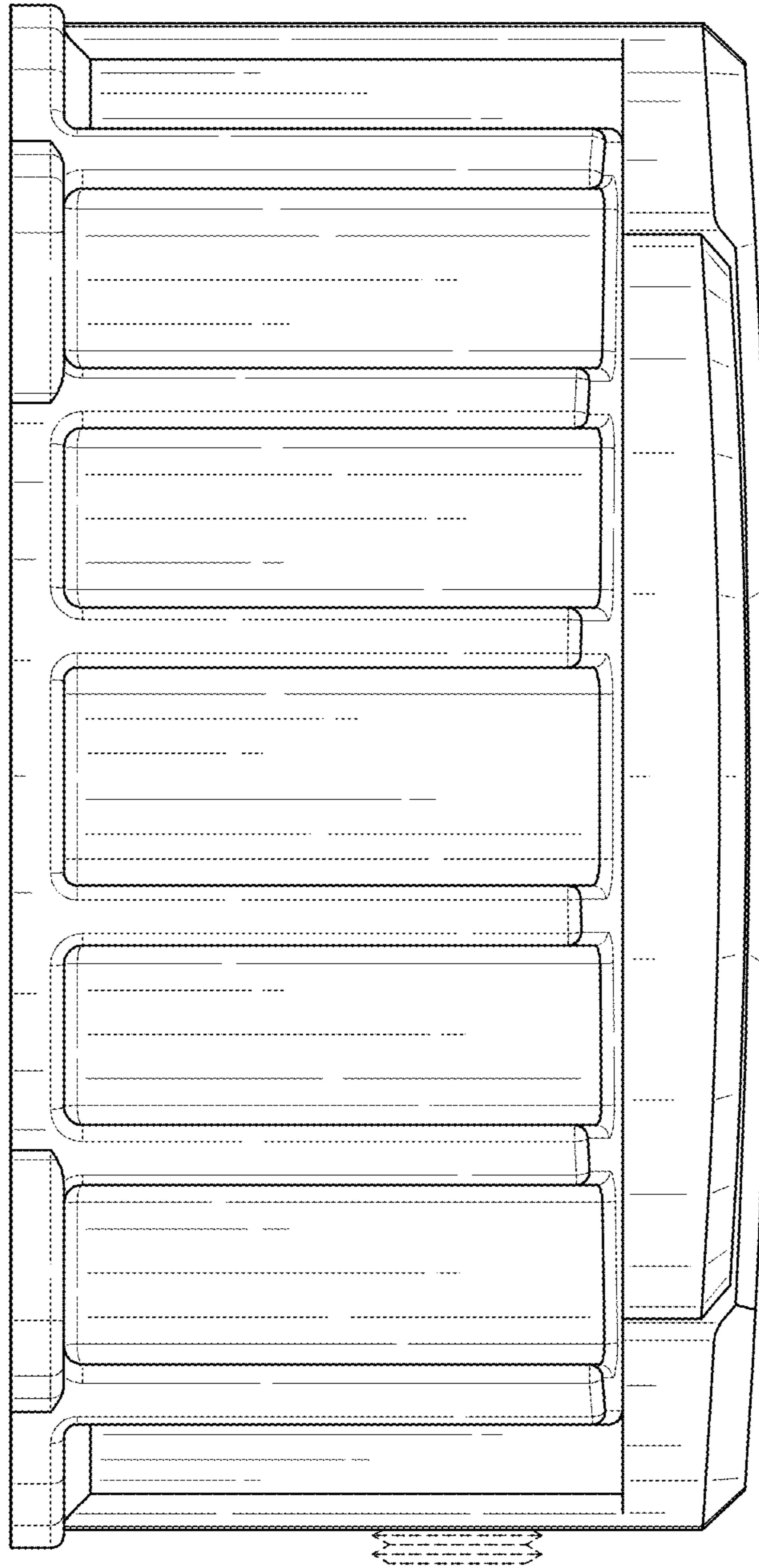


FIG-6

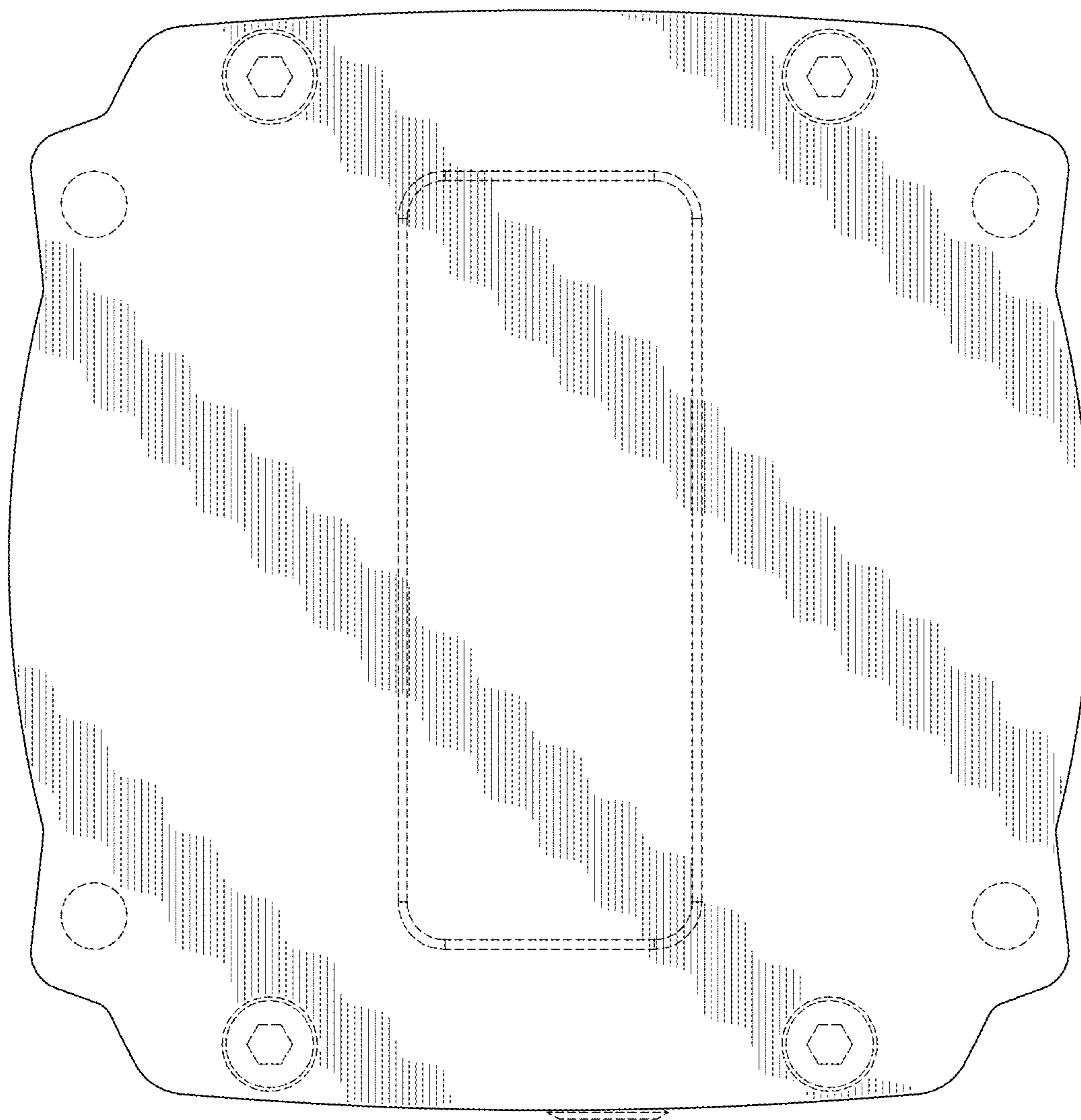


FIG-7