



US00D770919S

(12) **United States Design Patent** (10) **Patent No.:** **US D770,919 S**
Jonas et al. (45) **Date of Patent:** **** Nov. 8, 2016**

(54) **HUMIDITY WALL CONTROL**
(71) Applicant: **Broan-NuTone LLC**, Hartford, WI (US)

7,690,583 B2 4/2010 Cherewatti et al.
D616,770 S 6/2010 Bhate et al.
D616,771 S 6/2010 Bhate et al.
8,089,032 B2 1/2012 Beland et al.
D656,849 S * 4/2012 Ni D10/70

(72) Inventors: **Kenneth John Jonas**, Mequon, WI (US); **Benjamin Thorpe Puffer**, Hartford, WI (US)

(Continued)

(73) Assignee: **Broan-NuTone LLC**, Hartford, WI (US)

OTHER PUBLICATIONS

“U.S. Appl. No. 29/514,290, Restriction Requirement mailed Nov. 13, 2015”, 8 pgs.

(**) Term: **15 Years**

(Continued)

(21) Appl. No.: **29/540,461**

Primary Examiner — Antoine D Davis

(22) Filed: **Sep. 24, 2015**

(74) *Attorney, Agent, or Firm* — Schwegman Lundberg & Woessner, P.A.

Related U.S. Application Data

(63) Continuation-in-part of application No. 29/514,290, filed on Jan. 9, 2015, now abandoned.

(57) **CLAIM**

The ornamental design for a humidity wall control, as shown and described.

(51) **LOC (10) Cl.** **10-04**

DESCRIPTION

(52) **U.S. Cl.**
USPC **D10/53**; D13/162

(58) **Field of Classification Search**
USPC D10/49, 50–53, 60; D13/158, 162, D13/162.1, 173, 177
CPC F24F 11/0015; F24F 11/001; F24F 11/0012; F24F 2011/0016; F24F 2011/0061; F24F 2011/0063; F24F 2011/0064; F24F 2011/0091; F24F 2011/0093; F24F 2011/0094; F24F 2221/17; F24F 2221/26; G05D 23/1902

See application file for complete search history.

(56) **References Cited**

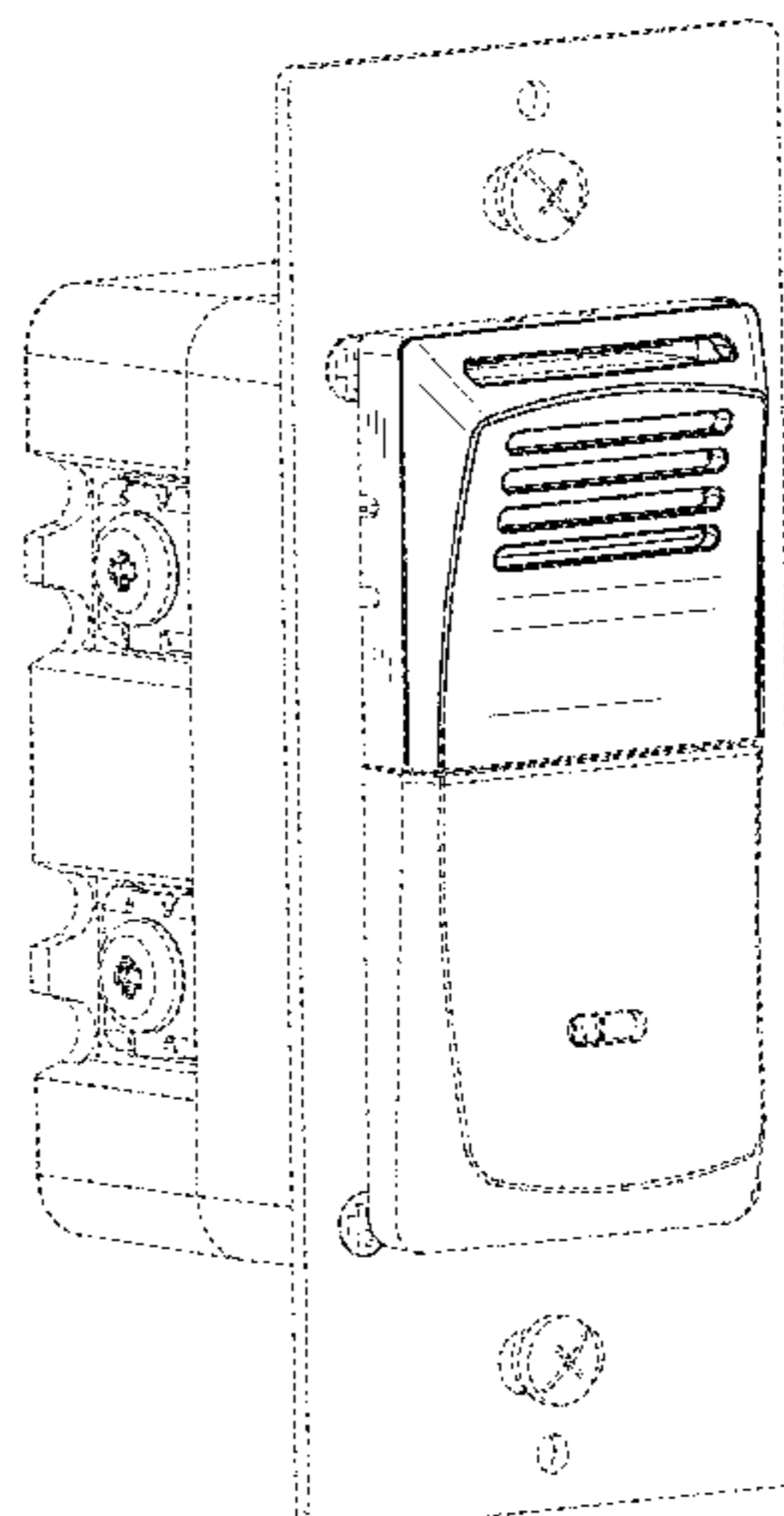
U.S. PATENT DOCUMENTS

D490,726 S 6/2004 Eungprabhanth et al.
6,798,341 B1 9/2004 Eckel et al.
D569,284 S * 5/2008 Ni D10/106.8
D578,027 S 10/2008 Bray et al.
D583,688 S * 12/2008 Guercio D10/104.1

FIG. 1 is the perspective view of the second embodiment of a humidity wall control.
FIG. 2 is the exploded perspective view of the second embodiment of a humidity wall control.
FIG. 3 is the left side view of the second embodiment of a humidity wall control.
FIG. 4 is the right side view of the second embodiment of a humidity wall control.
FIG. 5 is the front view of the second embodiment of a humidity wall control.
FIG. 6 is the back view of the second embodiment of a humidity wall control.
FIG. 7 is the top view of the second embodiment of a humidity wall control; and,
FIG. 8 is the bottom view of the second embodiment of a humidity wall control.

The broken lines depict environmental subject matter only and form no part of the claimed design.

1 Claim, 7 Drawing Sheets



(56)

References Cited

U.S. PATENT DOCUMENTS

D678,083 S 3/2013 Breuer et al.
D692,331 S * 10/2013 Ni D10/70
D706,726 S 6/2014 Mathew et al.
D744,960 S * 12/2015 Branham D13/162

OTHER PUBLICATIONS

“U.S. Appl. No. 29/514,290, Response filed Jan. 8, 2016 to Restriction Requirement mailed Nov. 13, 2016”, 4 pgs.

“U.S. Appl. No. 29/514,290, Notice of Allowance mailed Feb. 3, 2016”, 7 pgs.

* cited by examiner

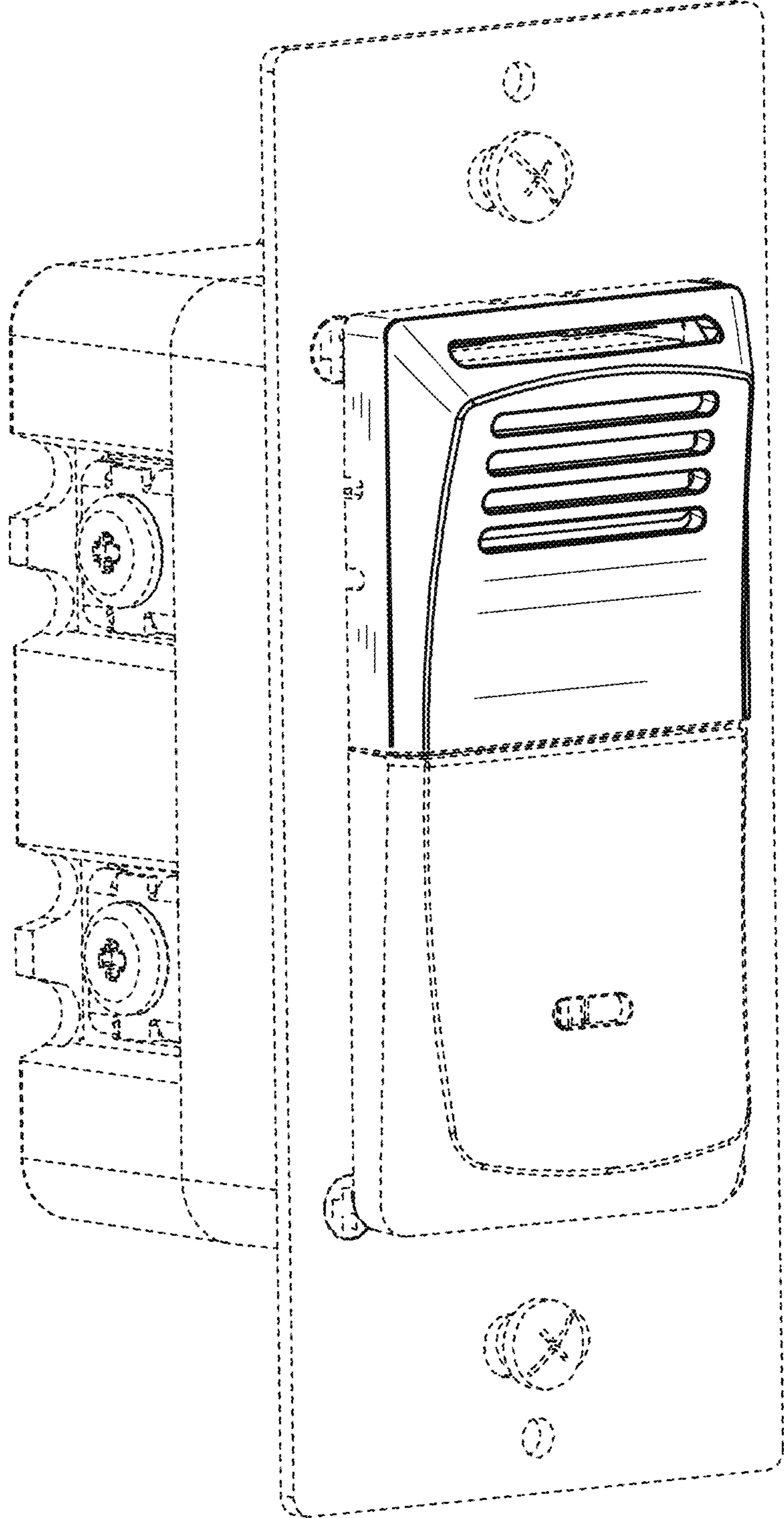


FIG. 1

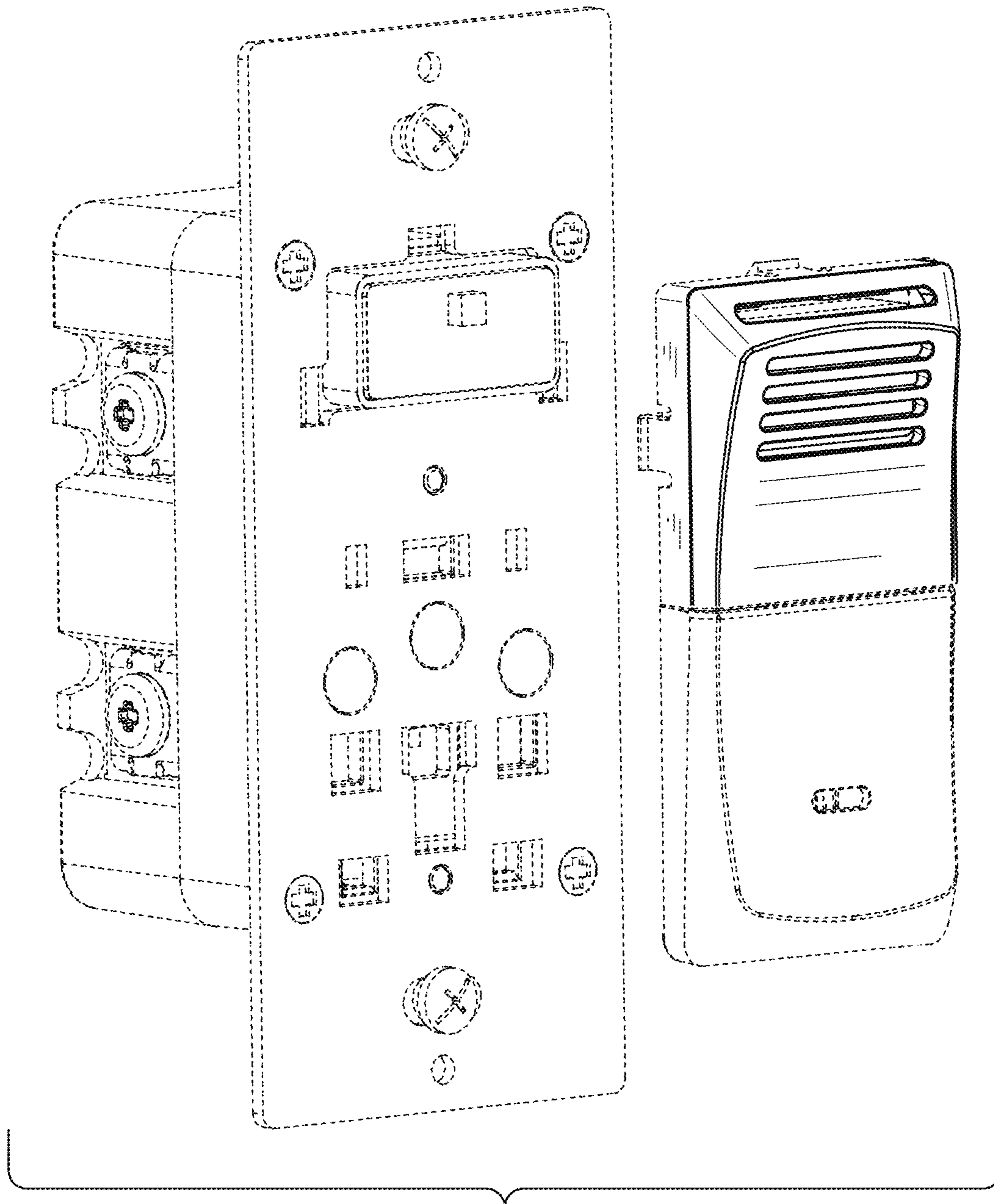


FIG. 2

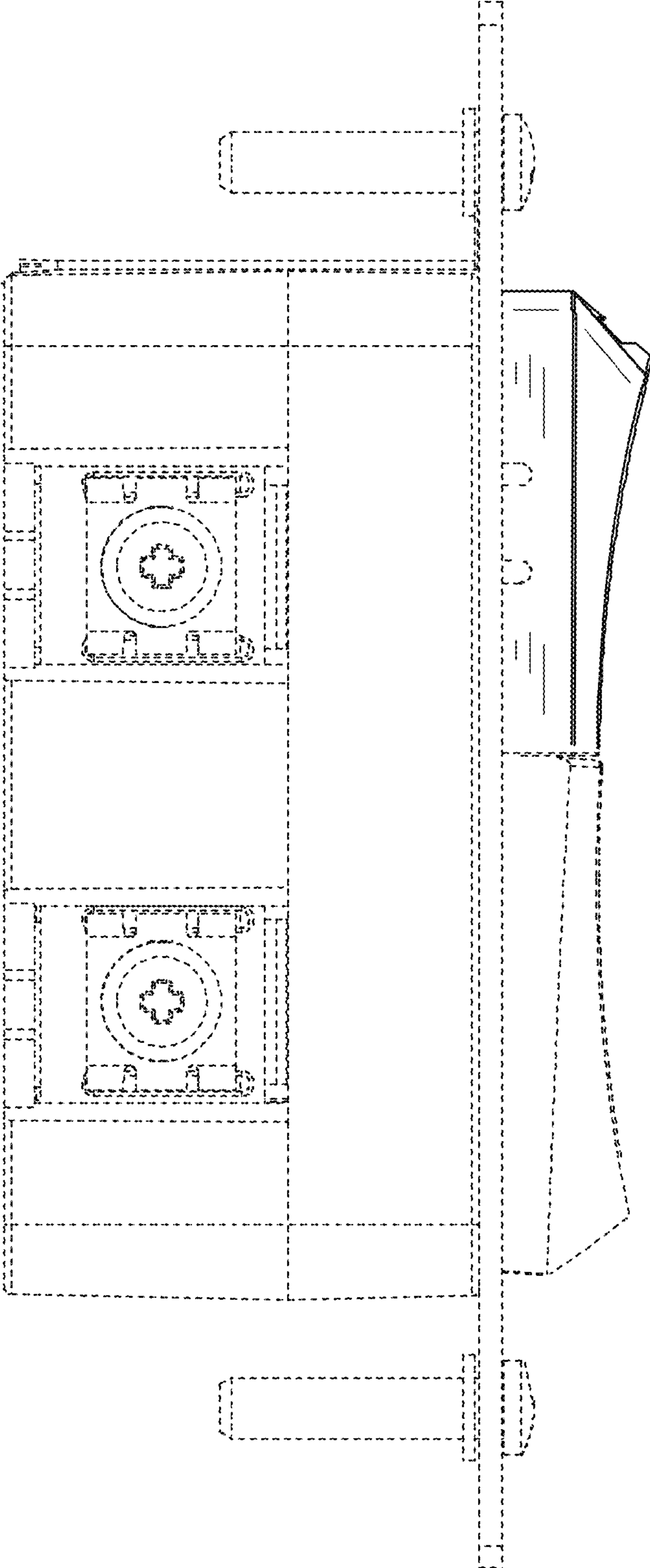


FIG. 3

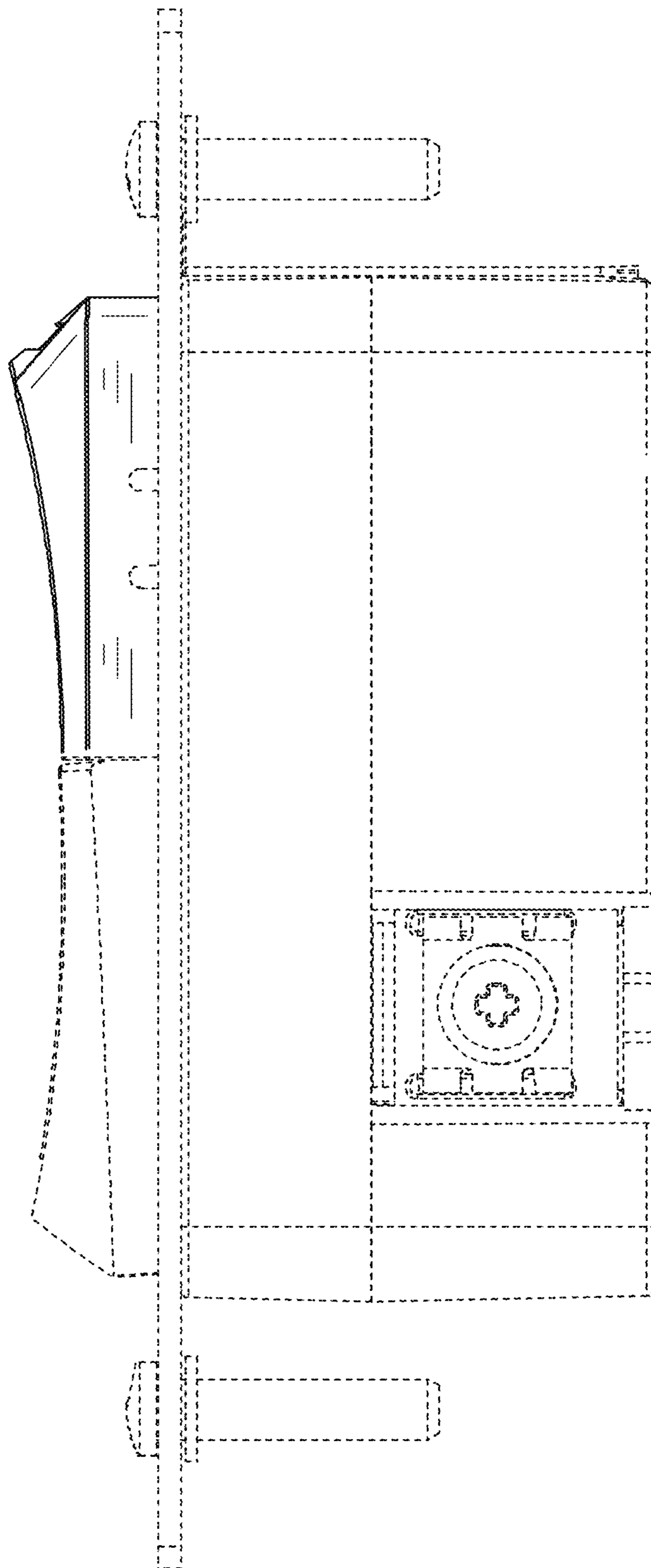


FIG. 4

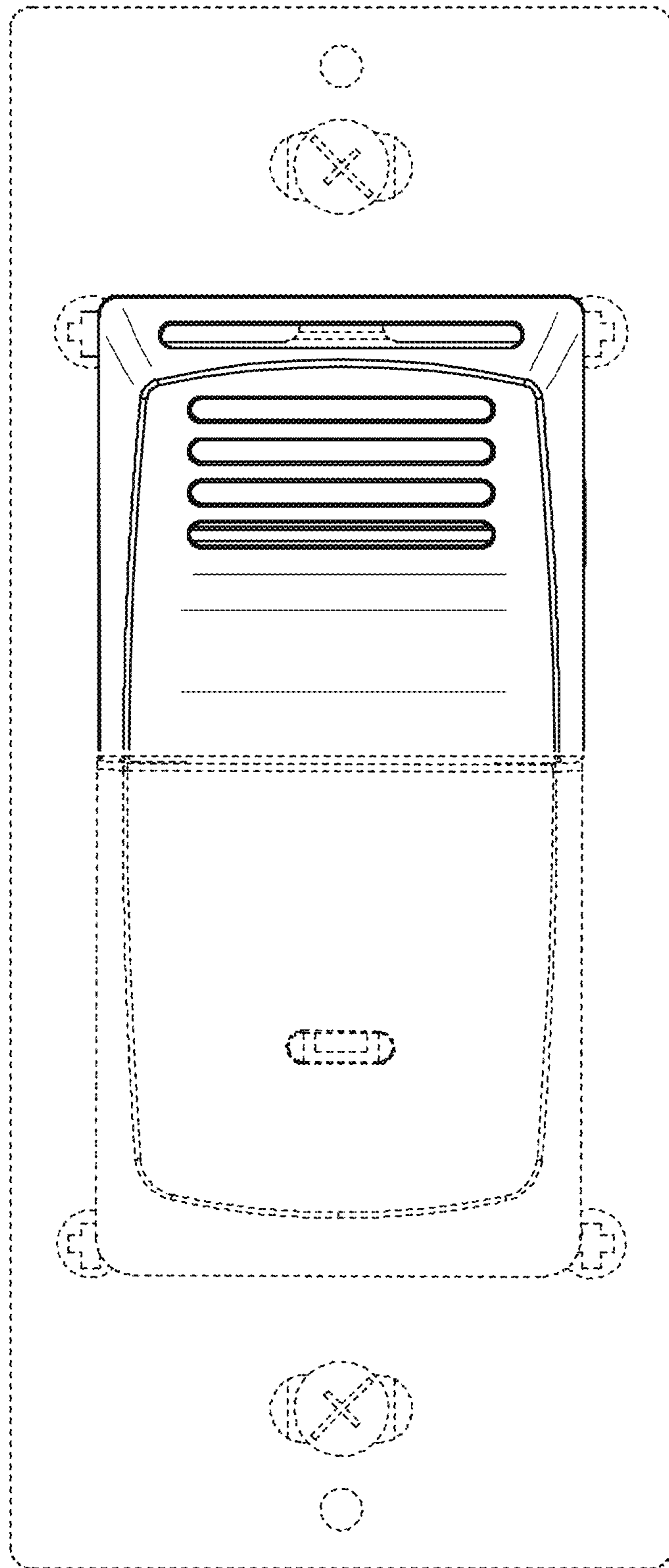


FIG. 5

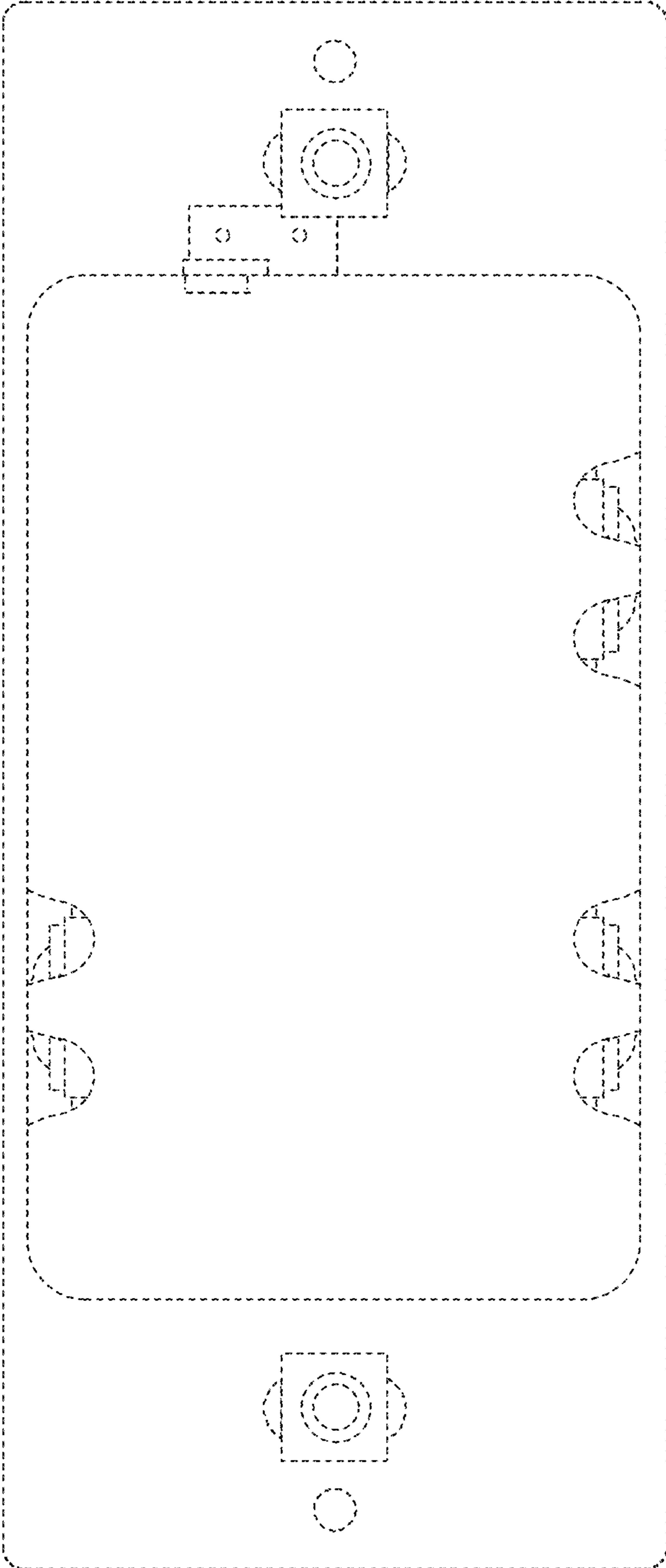


FIG. 6

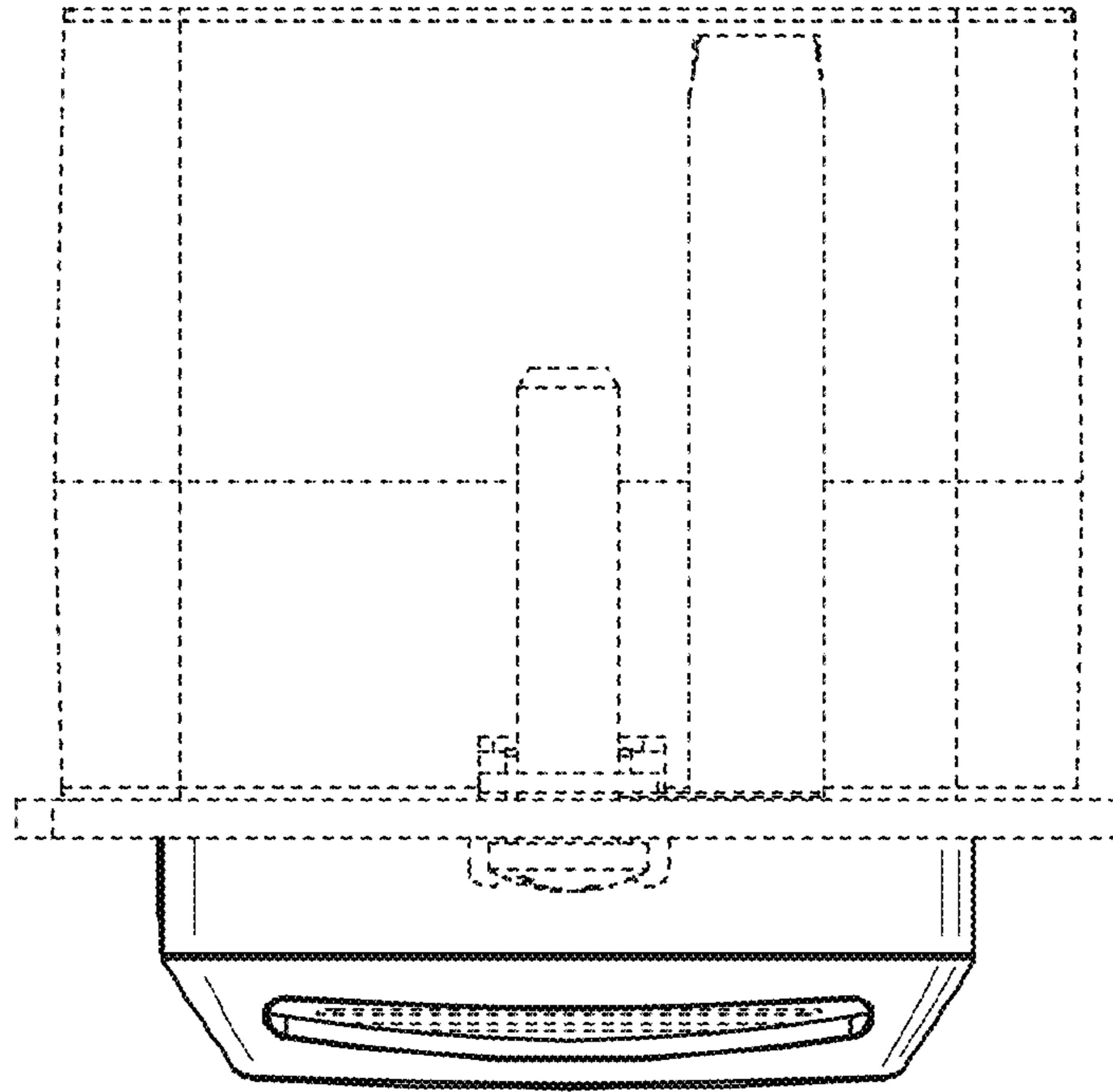


FIG. 7

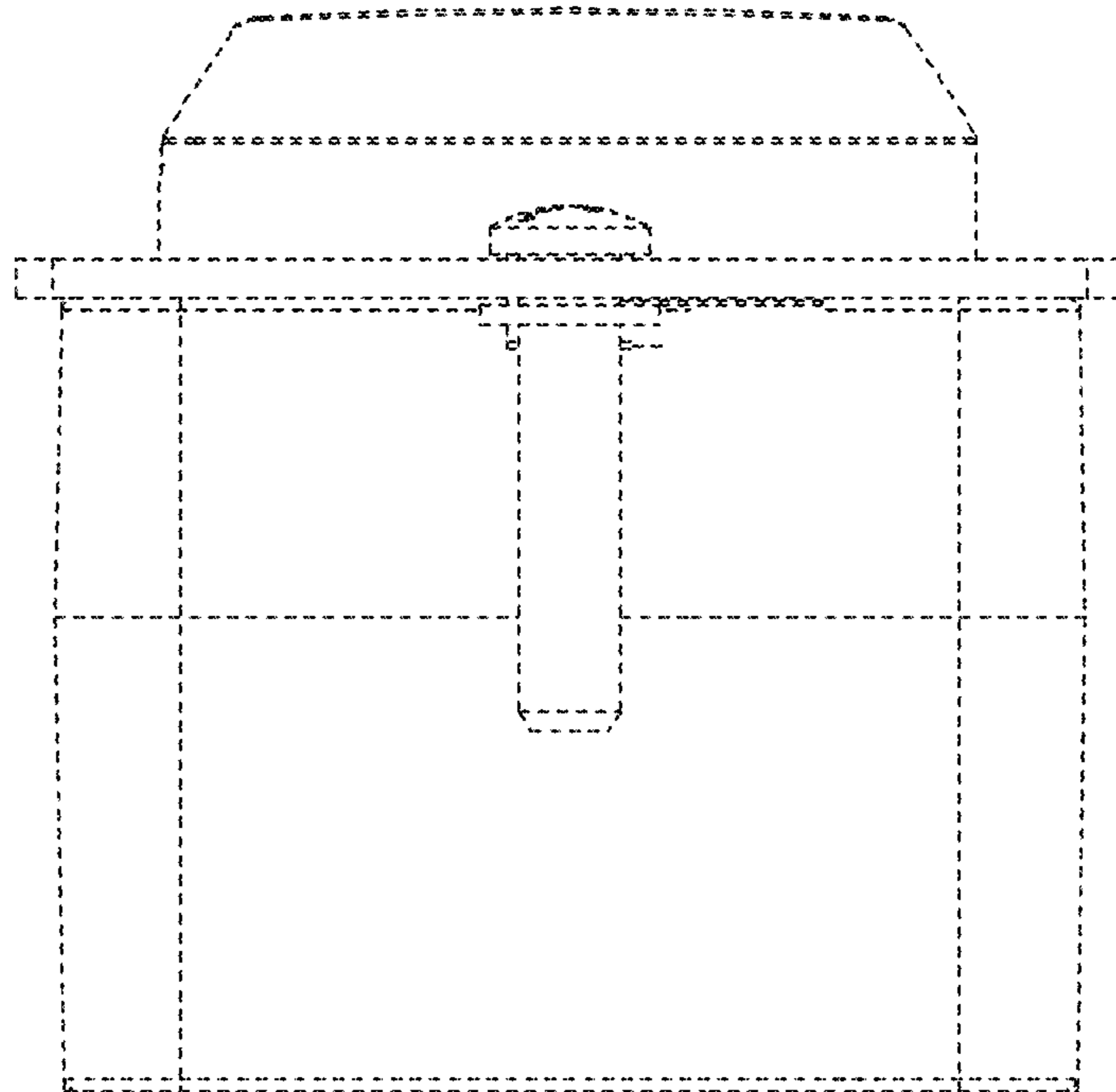


FIG. 8