



US00D770918S

(12) **United States Design Patent** (10) **Patent No.:** **US D770,918 S**
Cheng (45) **Date of Patent:** **** Nov. 8, 2016**

- (54) **TIMER**
- (71) Applicant: **Yuan Mei Corp.**, Chang Hua Hsien (TW)
- (72) Inventor: **Chi-Han Cheng**, Chang Hua Hsien (TW)
- (73) Assignee: **Yuan Mei Corp.**, Chang Hua Hsien (TW)
- (**) Term: **15 Years**
- (21) Appl. No.: **29/570,681**
- (22) Filed: **Jul. 11, 2016**

D117,174 S *	10/1939	Owgithubens et al.	D16/218
D179,112 S *	11/1956	Becker	D10/85
D179,181 S *	11/1956	Becker	D10/85
D191,294 S	9/1961	Charnota et al.		
D212,154 S	9/1968	Benjamin		
D234,603 S	3/1975	Snow et al.		
D269,697 S	7/1983	Graham et al.		
4,562,865 A	1/1986	Lemkin et al.		
D282,446 S	2/1986	Gremonprez et al.		
D295,778 S	5/1988	Bruninga et al.		
4,807,664 A	2/1989	Wilson et al.		
D309,175 S	7/1990	Hastings et al.		
4,951,204 A	8/1990	Mylne, III		
5,135,168 A	8/1992	Wang		
5,262,936 A	11/1993	Faris et al.		
D365,771 S	1/1996	Clivio		
D368,230 S	3/1996	Cohen et al.		

(Continued)

Related U.S. Application Data

- (63) Continuation of application No. 29/517,217, filed on Feb. 11, 2015, now Pat. No. Des. 764,951.
- (51) **LOC (10) Cl.** **10-03**
- (52) **U.S. Cl.**
USPC **D10/40**
- (58) **Field of Classification Search**
USPC D10/1-41, 122-126, 128, 131, 132;
D13/162.1; D23/245, 246; D16/200,
D16/217, 218, 220; 368/294
CPC A01G 25/00; A01G 25/16; A01G 25/162;
A01G 25/165; B05B 12/00; B05B 12/02;
F16K 31/48; G05D 7/00; G05D 7/06; G05D
7/0635; G04F 3/00; G04F 3/02; G04F 7/06;
G04B 39/00; G04B 39/002; G04B 39/004;
G04B 39/006; G04B 19/06
See application file for complete search history.

(56) **References Cited**

U.S. PATENT DOCUMENTS

53,726 A	4/1866	Ball	
D53,726 S *	8/1919	Berge D10/103
1,865,965 A	3/1927	Ruiz	

OTHER PUBLICATIONS

The Toro Company, ECXTRA™ Automatic Sprinkler System Control Timer User's Guide, © 2004, 44 pages, Form No. 373-0339 Rev. A.

Primary Examiner — Sandra Snapp

(74) *Attorney, Agent, or Firm* — Senniger Powers LLP

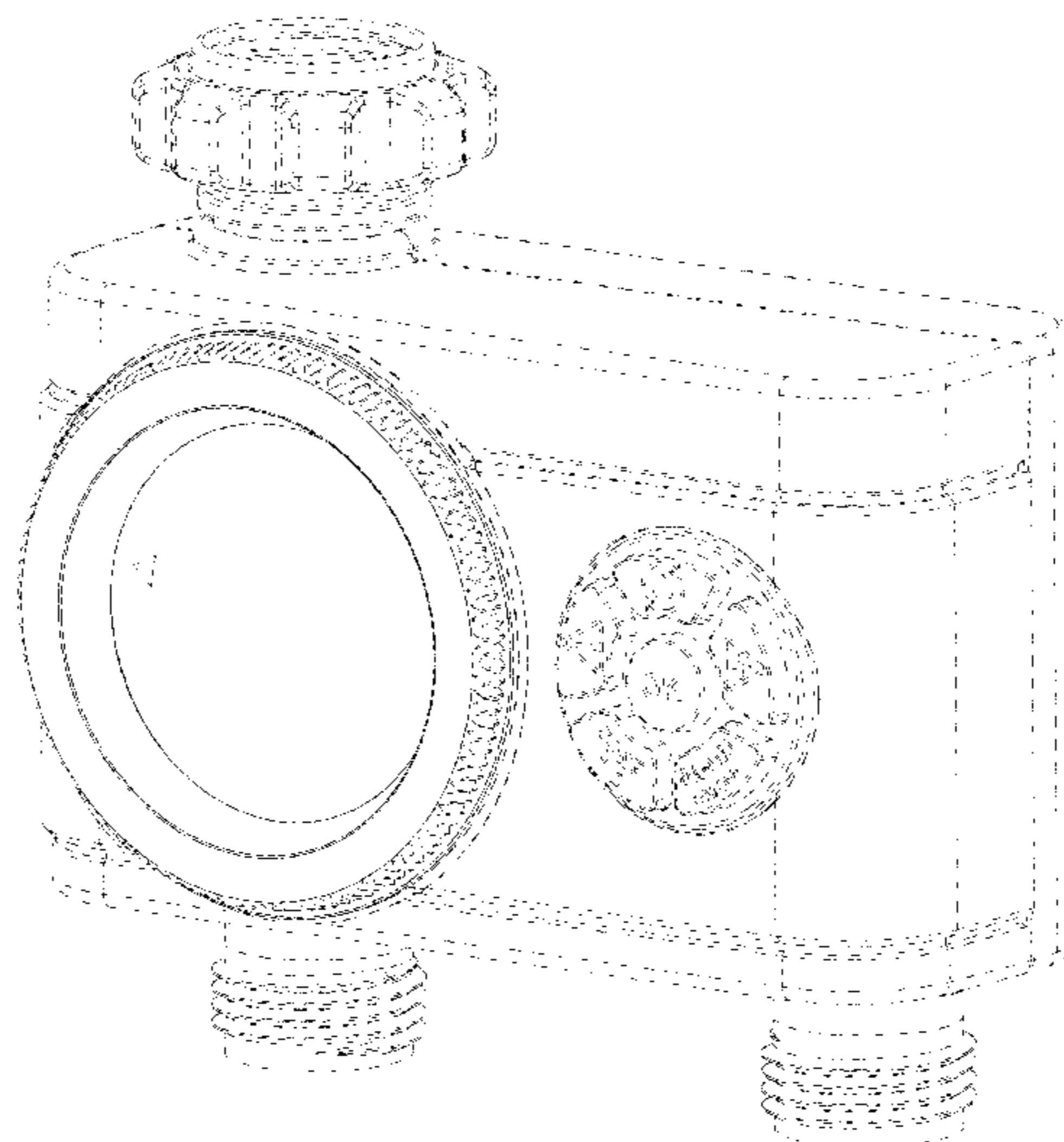
(57) **CLAIM**

The ornamental design for a timer, as shown and described.

DESCRIPTION

FIG. 1 is a perspective view of a timer showing my new design;
 FIG. 2 is a front elevational view thereof;
 FIG. 3 is a rear elevational view thereof;
 FIG. 4 is a left side elevational view thereof;
 FIG. 5 is a right side elevational view thereof;
 FIG. 6 is a top plan view thereof; and,
 FIG. 7 is a bottom plan view thereof.
 Portions of the timer are shown in broken lines for illustrative purposes and form no part of the claimed design.

1 Claim, 7 Drawing Sheets



(56)

References Cited

U.S. PATENT DOCUMENTS

D377,316 S 1/1997 Roman et al.
 D386,985 S 12/1997 Cameron
 D427,085 S 6/2000 Steinhagen
 D428,347 S * 7/2000 Stekelenburg D10/40
 D431,195 S 9/2000 Clivio
 D432,441 S * 10/2000 Stekelenburg D10/40
 D452,695 S 1/2002 Miller
 D454,508 S * 3/2002 Stekelenburg D10/40
 D467,187 S 12/2002 Clivio
 D476,240 S 6/2003 Kuramochi et al.
 D485,502 S 1/2004 Clivio
 D492,264 S 6/2004 Perez et al.
 D493,186 S * 7/2004 Moore D16/202
 D500,453 S * 1/2005 Cullen D10/40
 D507,243 S 7/2005 Miller
 D511,704 S 11/2005 Zwingmann
 D535,571 S 1/2007 Simon et al.
 D535,895 S 1/2007 Simon et al.
 7,225,057 B2 5/2007 Froman et al.
 D559,708 S 1/2008 Michael et al.
 D567,680 S 4/2008 Michael et al.
 D567,681 S 4/2008 Michael et al.
 D604,761 S 11/2009 Suzuki et al.
 D608,301 S 1/2010 Clark et al.
 D630,661 S * 1/2011 Meguro D16/202
 D636,278 S 4/2011 Franchini
 D642,077 S 7/2011 Nies et al.
 D643,316 S 8/2011 Nies et al.
 D643,755 S 8/2011 Nies et al.

D647,411 S * 10/2011 Barton D10/40
 D657,263 S 4/2012 Nies et al.
 D657,264 S 4/2012 Nies et al.
 8,160,750 B2 4/2012 Weiler
 D658,519 S 5/2012 Connolly et al.
 D659,029 S 5/2012 Connolly et al.
 8,251,300 B2 8/2012 Wilson
 D671,847 S 12/2012 Chandran et al.
 D671,849 S 12/2012 Chandran et al.
 D679,259 S 4/2013 Franchini
 D679,260 S 4/2013 Franchini
 D682,714 S 5/2013 Barton et al.
 D682,715 S 5/2013 Wang
 D691,966 S 10/2013 Stossell
 D695,802 S * 12/2013 Kim D16/200
 D702,566 S 4/2014 Chandran
 D713,271 S 9/2014 Ericksen et al.
 D714,373 S * 9/2014 Kim D16/134
 8,882,343 B1 * 11/2014 Baldwin G04B 19/30
 368/10
 D736,104 S 8/2015 Ericksen et al.
 D742,764 S 11/2015 Steib
 D750,506 S 3/2016 Ericksen et al.
 D750,977 S 3/2016 Ericksen et al.
 9,329,576 B1 * 5/2016 Baldwin G04B 37/00
 D759,742 S * 6/2016 Kim D16/200
 2006/0011243 A1 1/2006 Jacobs et al.
 2009/0001193 A1 1/2009 Parsons et al.
 2010/0230510 A1 * 9/2010 Wilson A01G 25/165
 239/70
 2011/0089351 A1 * 4/2011 Spadotto A01G 25/165
 251/129.15

* cited by examiner

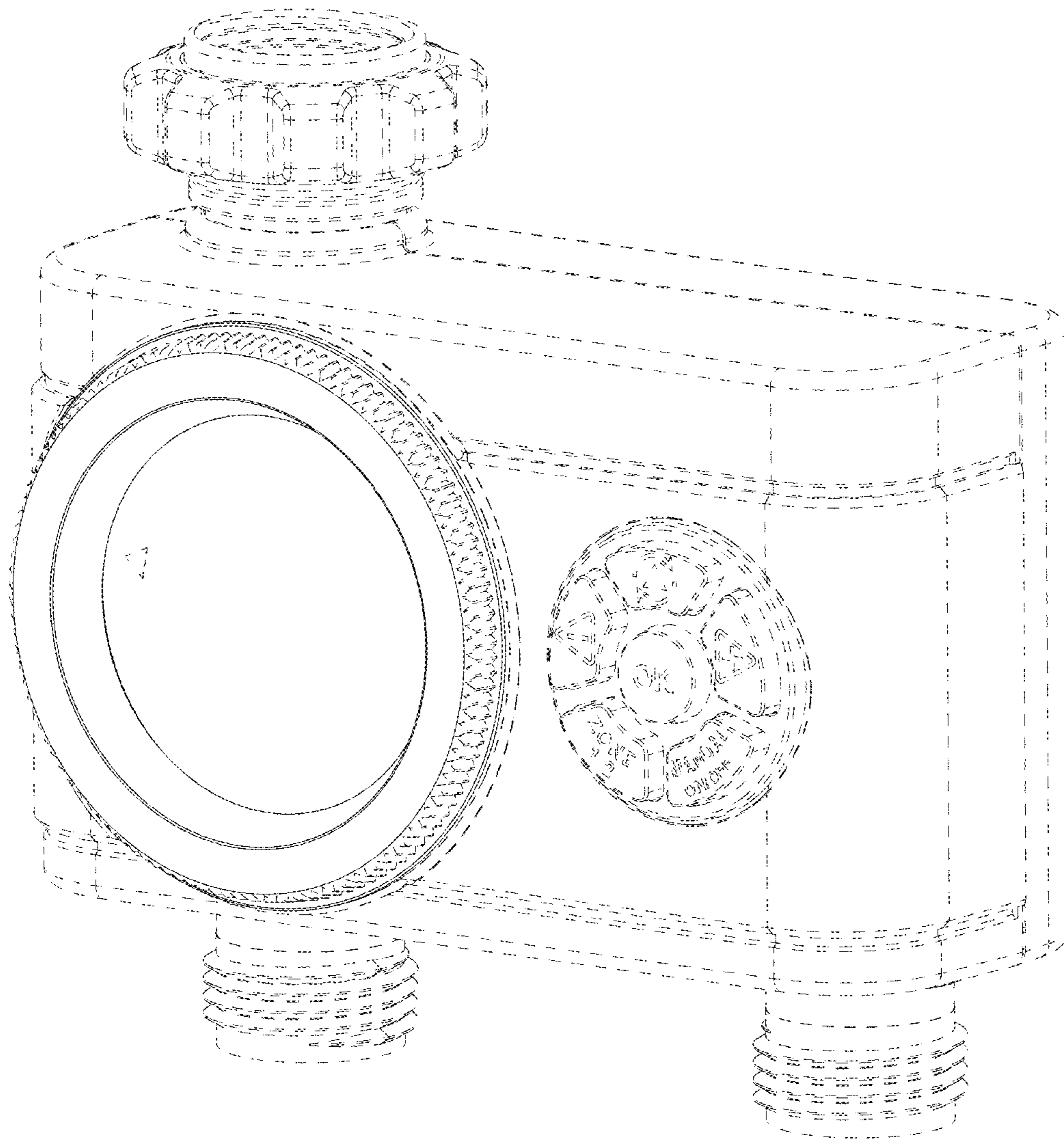


FIG.1

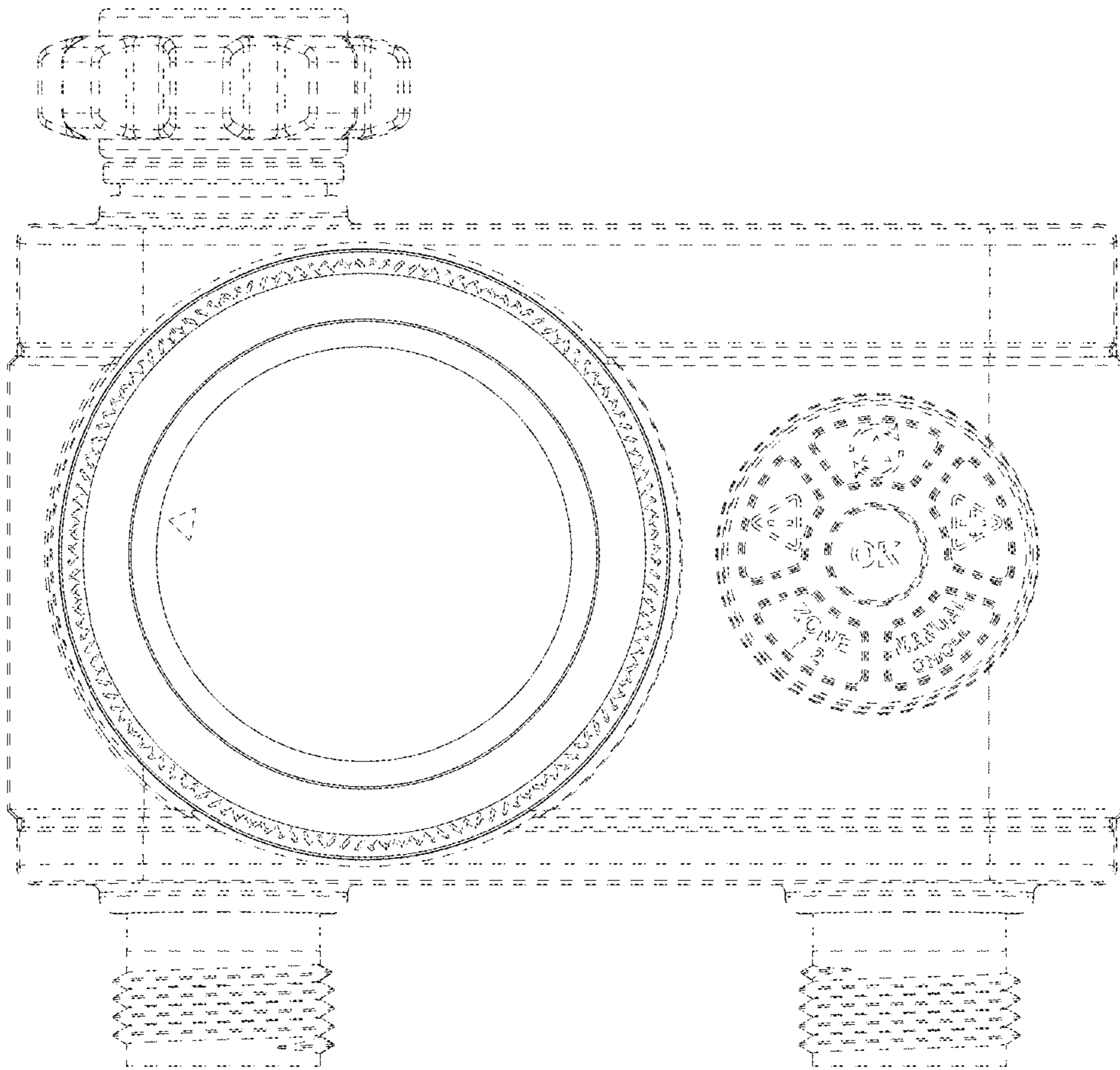


FIG.2

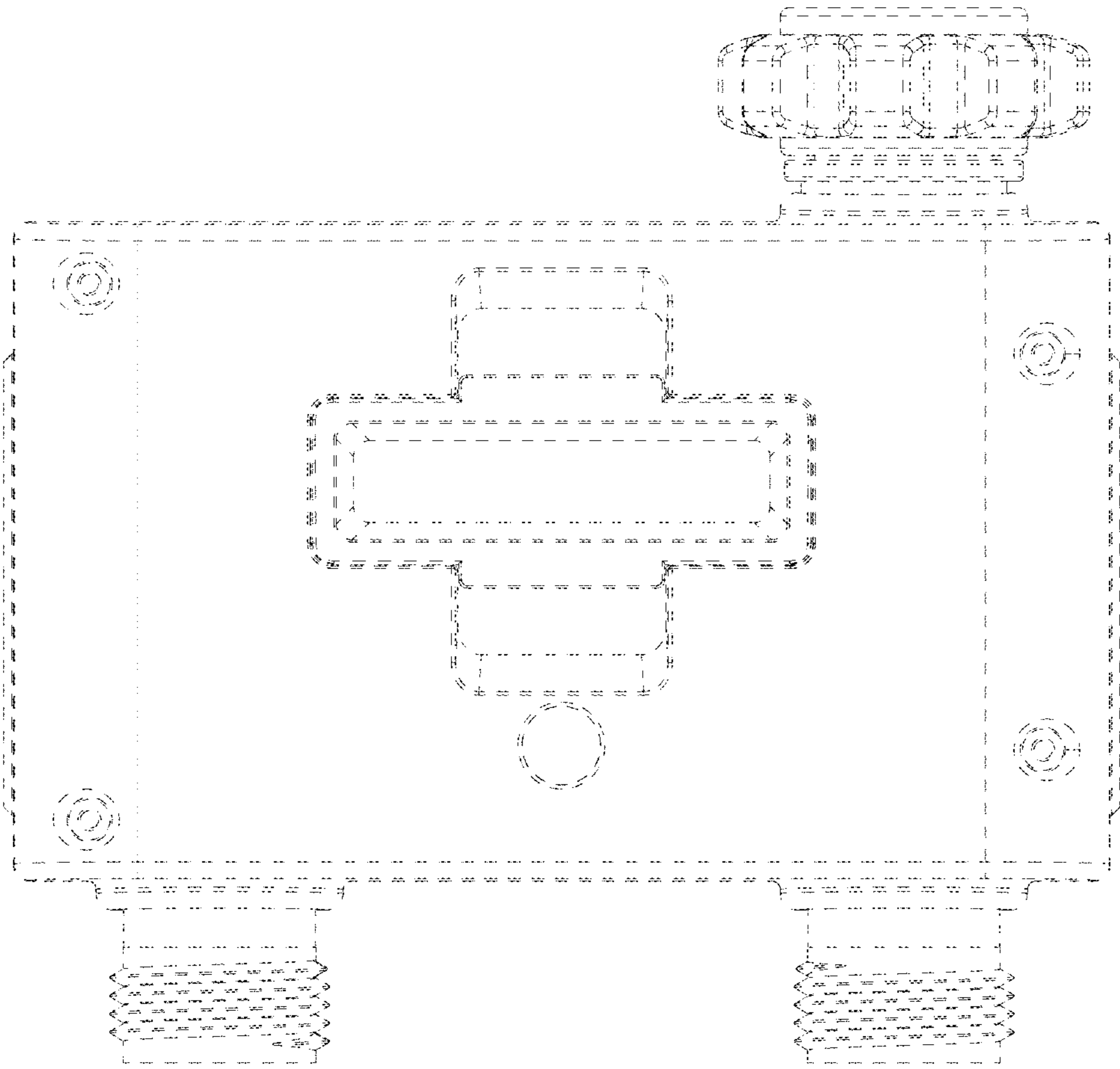


FIG.3

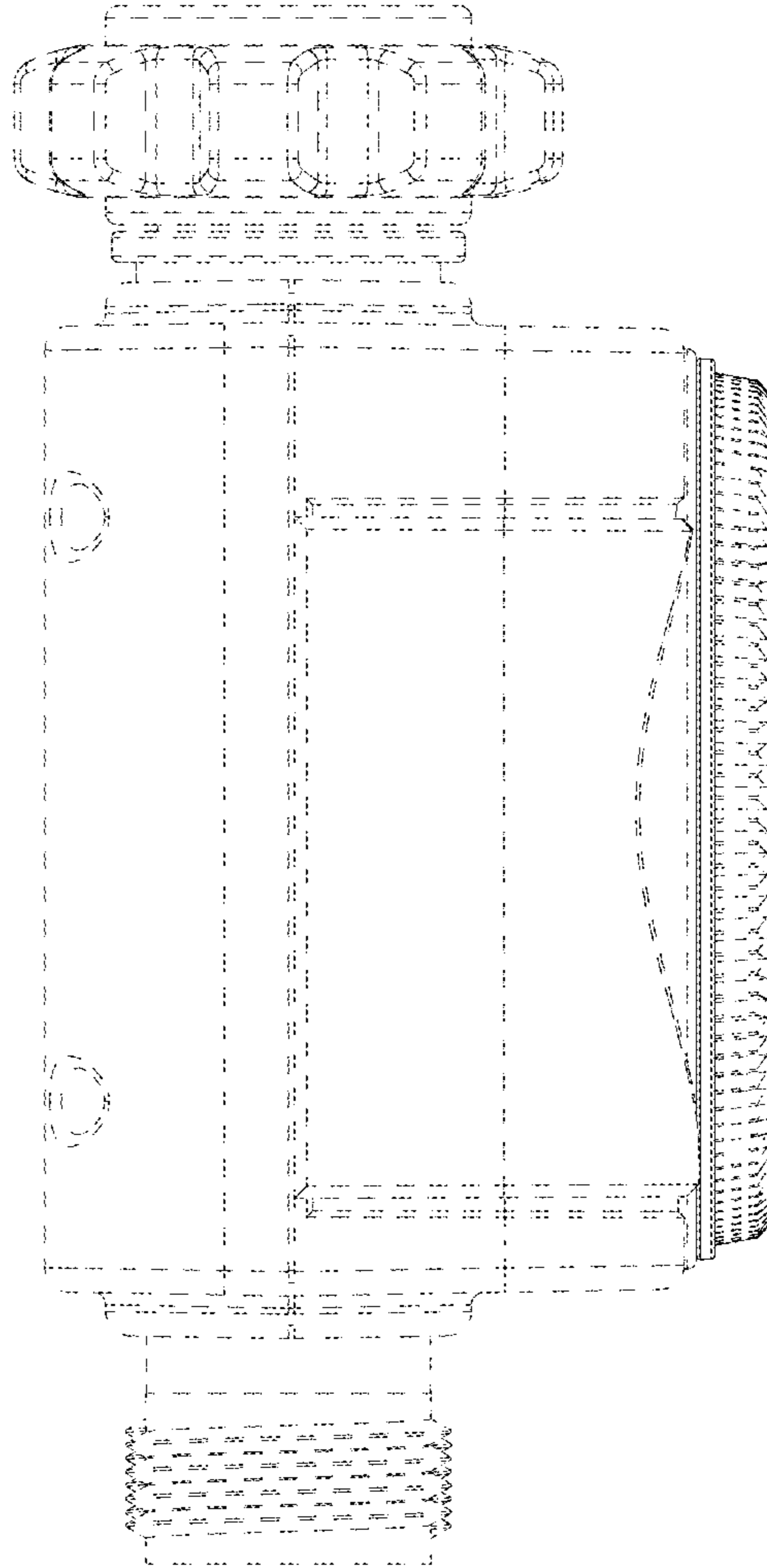


FIG.4

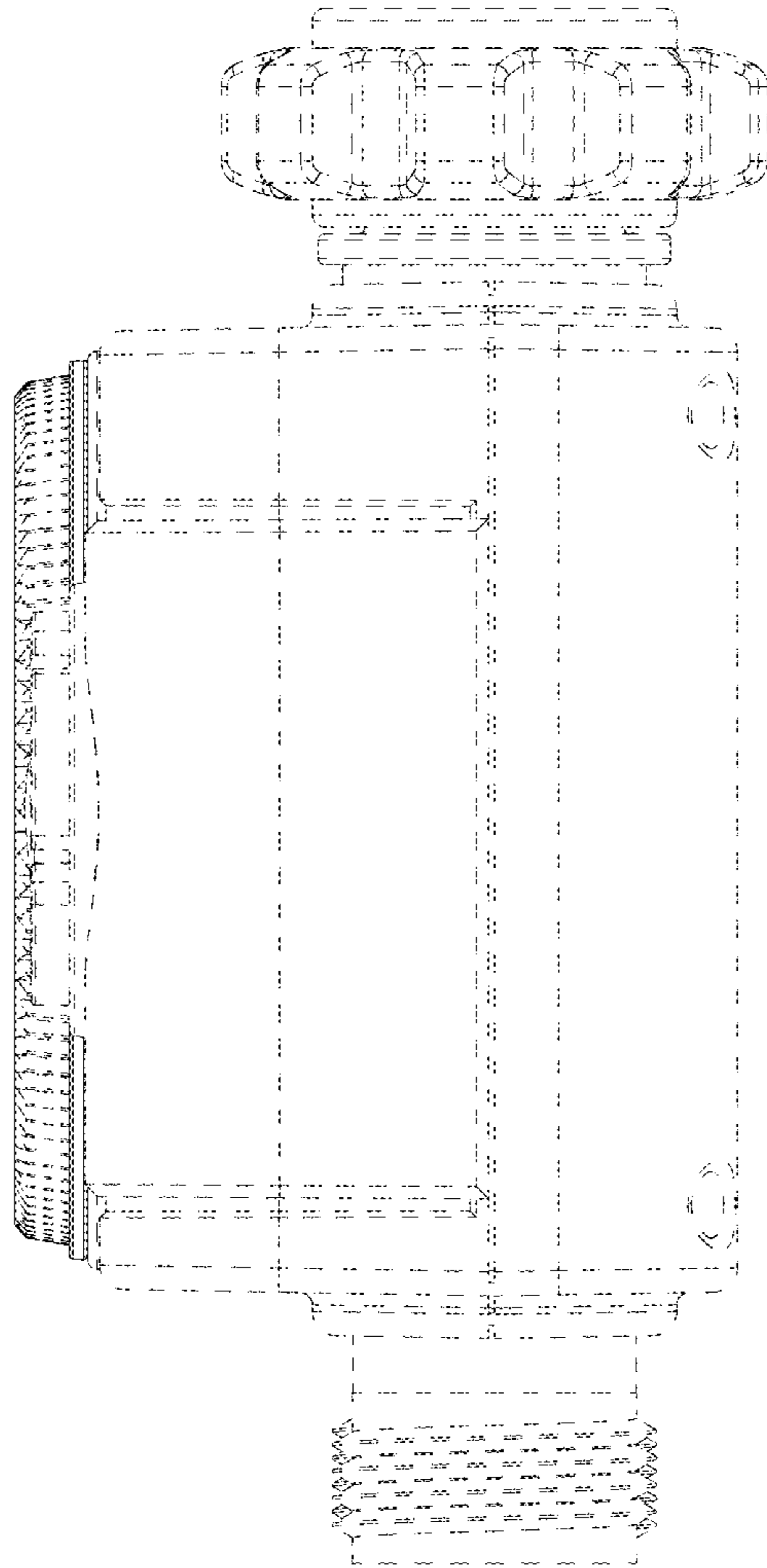


FIG.5

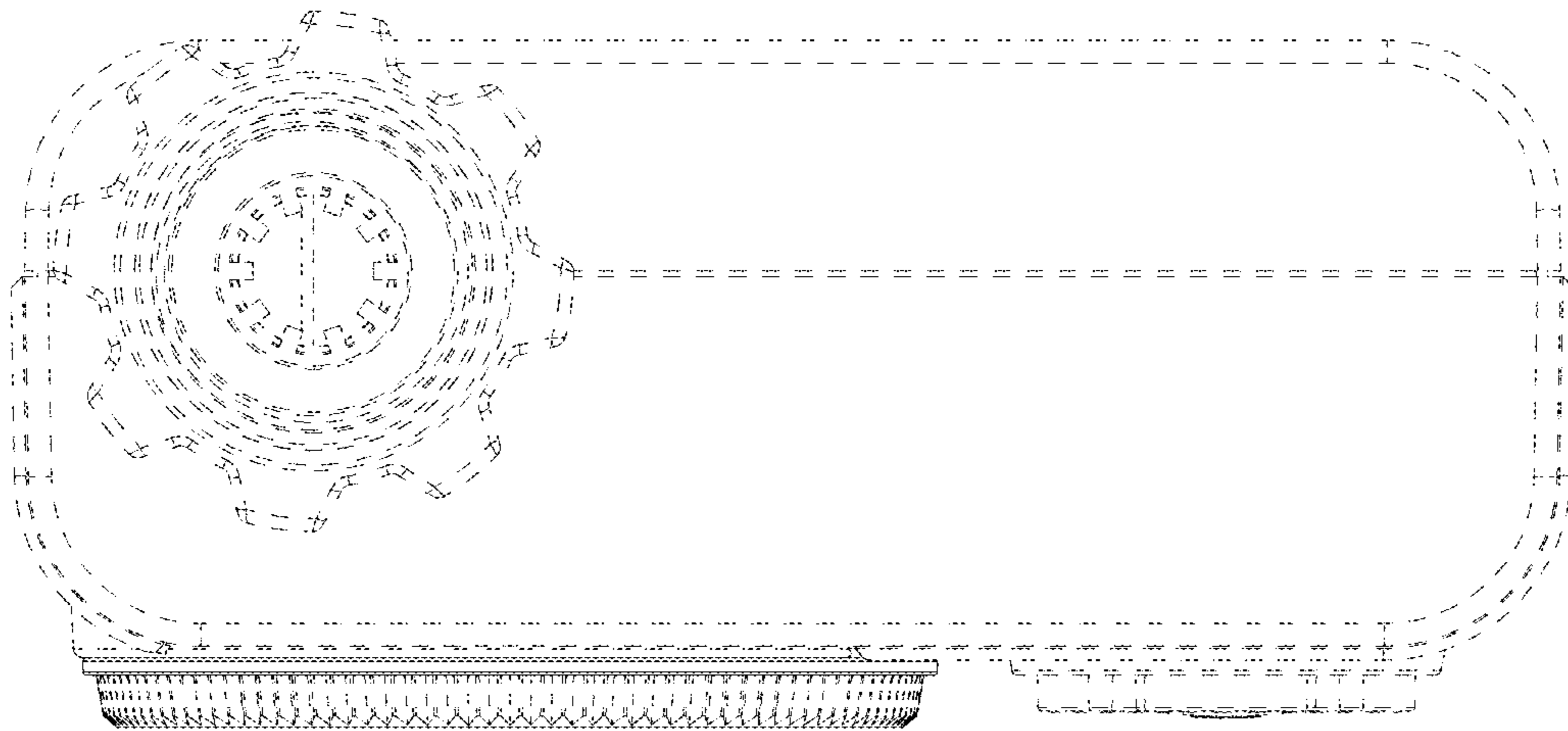


FIG.6

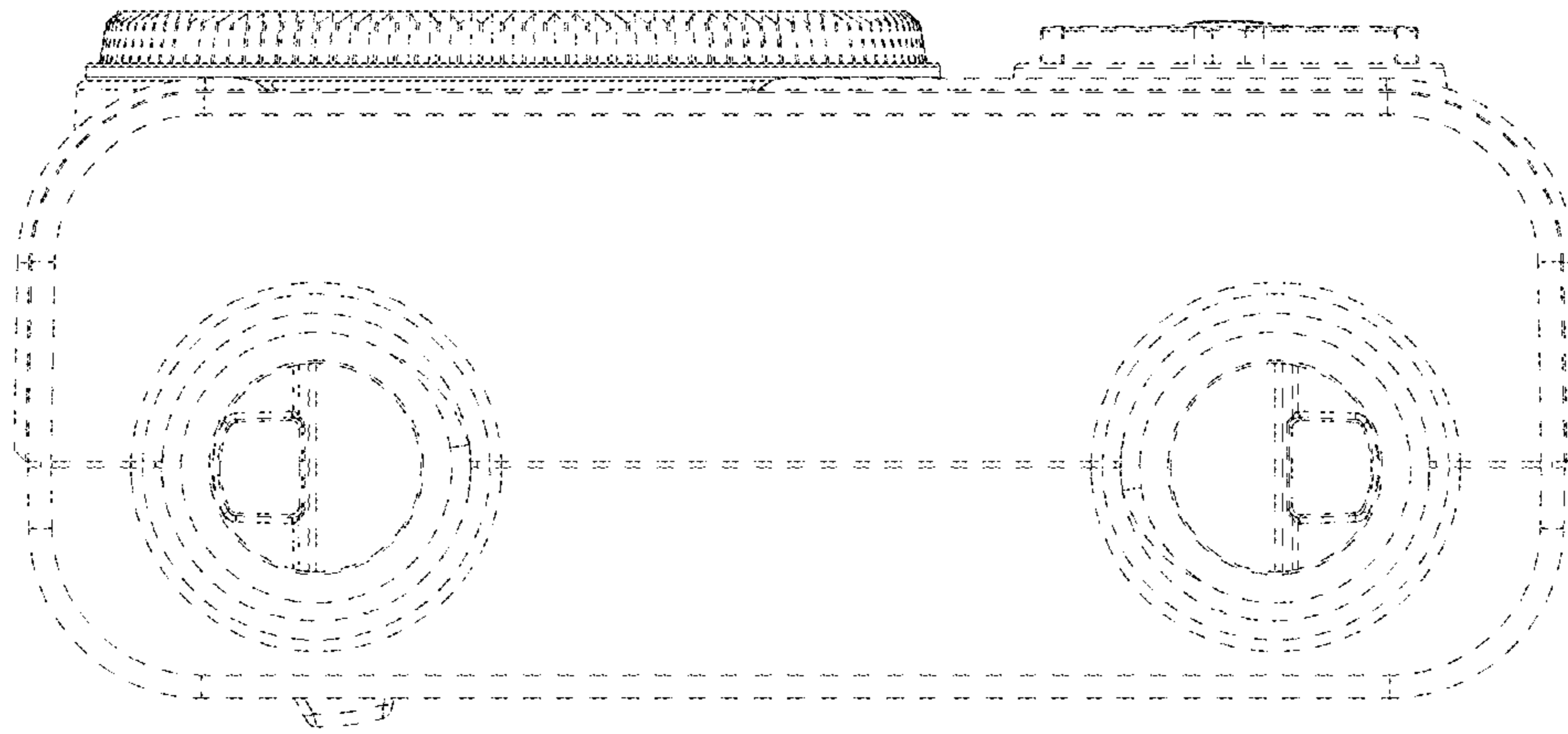


FIG.7