



US00D770901S

(12) **United States Design Patent** (10) **Patent No.:** **US D770,901 S**  
**Luu et al.** (45) **Date of Patent:** **\*\* Nov. 8, 2016**

- (54) **BOTTLE**
- (71) Applicant: **Le Chat**, Hercules, CA (US)
- (72) Inventors: **Newton Luu**, Hercules, CA (US);  
**Christina Kleppe**, Antioch, CA (US)
- (73) Assignee: **LeChat**, Hercules, CA (US)
- (\*\*) Term: **14 Years**
- (21) Appl. No.: **29/494,520**
- (22) Filed: **Jun. 20, 2014**
- (51) **LOC (10) Cl.** ..... **09-01**
- (52) **U.S. Cl.**  
USPC ..... **D9/560**; D9/452; D9/454
- (58) **Field of Classification Search**  
USPC ..... D9/516, 447, 452, 454, 548, 560, 562,  
D9/570, 573-574, 682, 715, 719, 723;  
D4/116; D28/7, 76, 77, 88  
CPC ..... B65D 1/00; B65D 1/02; B65D 1/0223;  
B65D 23/00; B65D 81/00; B65D 83/00;  
B65D 2501/00; B65D 2501/0009; B65D  
2501/0081; A45D 34/00; A45D 34/042;  
A45D 34/045; A45D 34/046; A45D 34/048;  
A45D 34/06; A45D 2034/007; A45D  
40/0068; A45D 40/0075; A45D 40/26;  
A45D 40/262; A45D 40/264; A45D 40/265  
See application file for complete search history.

- (56) **References Cited**  
U.S. PATENT DOCUMENTS  
D90,558 S \* 8/1933 Tricard ..... D9/546  
D93,074 S \* 8/1934 Westlake ..... D9/546  
D105,396 S \* 7/1937 McIntosh ..... D9/560  
D237,360 S \* 10/1975 Olivera ..... D9/542

D271,565 S *	11/1983	Slater	.....	D24/117
D316,034 S	4/1991	DeGaetano		
D329,592 S *	9/1992	Crawford	.....	D9/529
D344,804 S *	3/1994	Muniz	.....	D24/115
D346,334 S *	4/1994	Ahlsvik	.....	D9/548
D379,764 S *	6/1997	Litton	.....	D9/452
D383,980 S *	9/1997	Abfier	.....	D9/502
D469,356 S	1/2003	Vo		
D471,108 S *	3/2003	Calderone, Jr.	.....	D9/520
D494,476 S *	8/2004	Cwynar-Laska	.....	D9/560
6,966,716 B2 *	11/2005	Pink	.....	A45D 34/045 401/126
7,311,457 B2 *	12/2007	Pink	.....	A45D 34/045 16/430
D561,027 S	2/2008	Nguyen		
D577,599 S *	9/2008	Moretti	.....	D9/560
D604,167 S *	11/2009	Tran	.....	D9/453
D695,121 S *	12/2013	Seo	.....	D9/454
D701,124 S *	3/2014	O'Hara	.....	D9/624
2002/0039513 A1 *	4/2002	Pink	.....	A45D 34/045 401/129
2006/0213863 A1 *	9/2006	Tran	.....	B65D 1/0276 215/382

\* cited by examiner

*Primary Examiner* — Dana L Meyrow

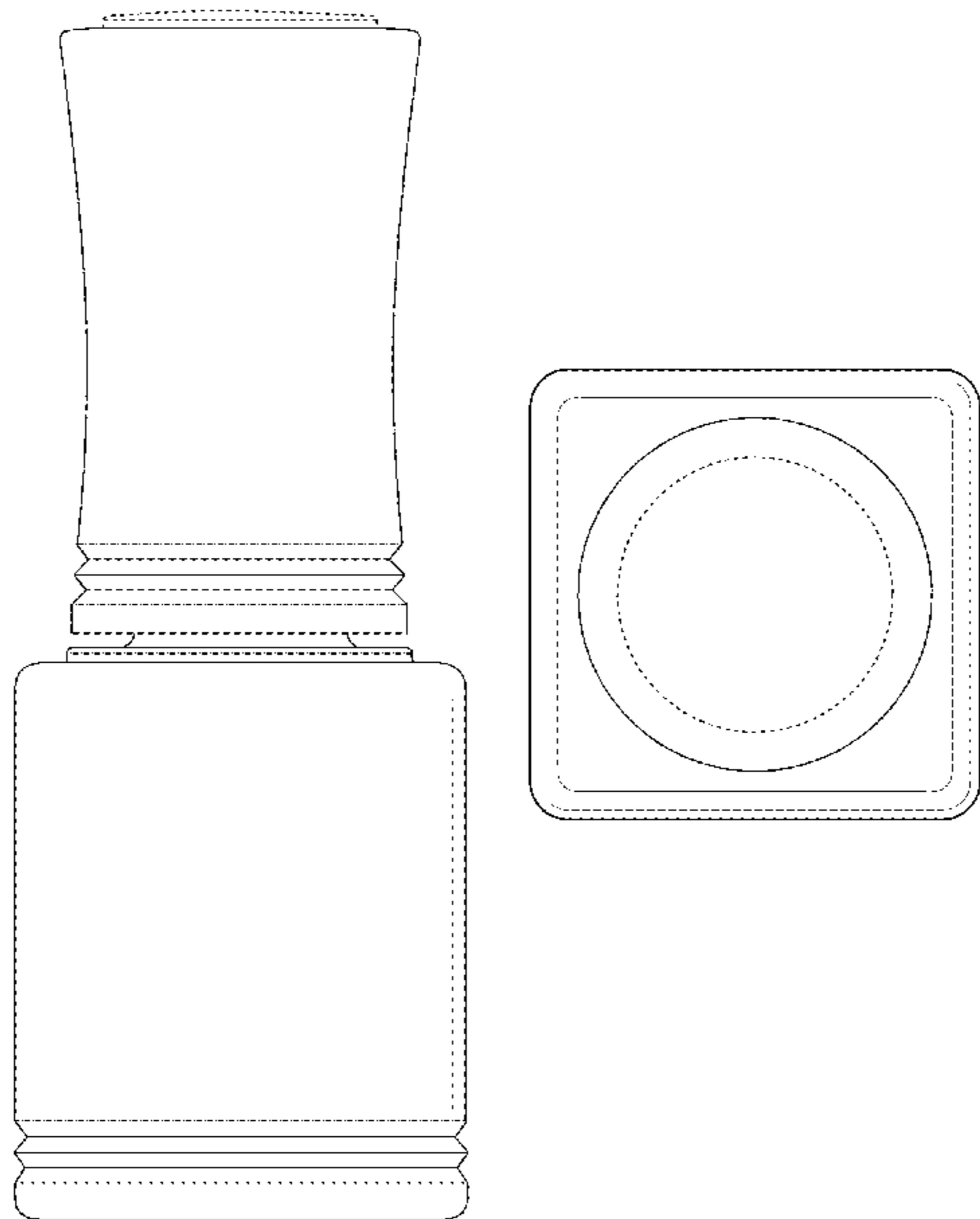
(74) *Attorney, Agent, or Firm* — Aka Chan LLP

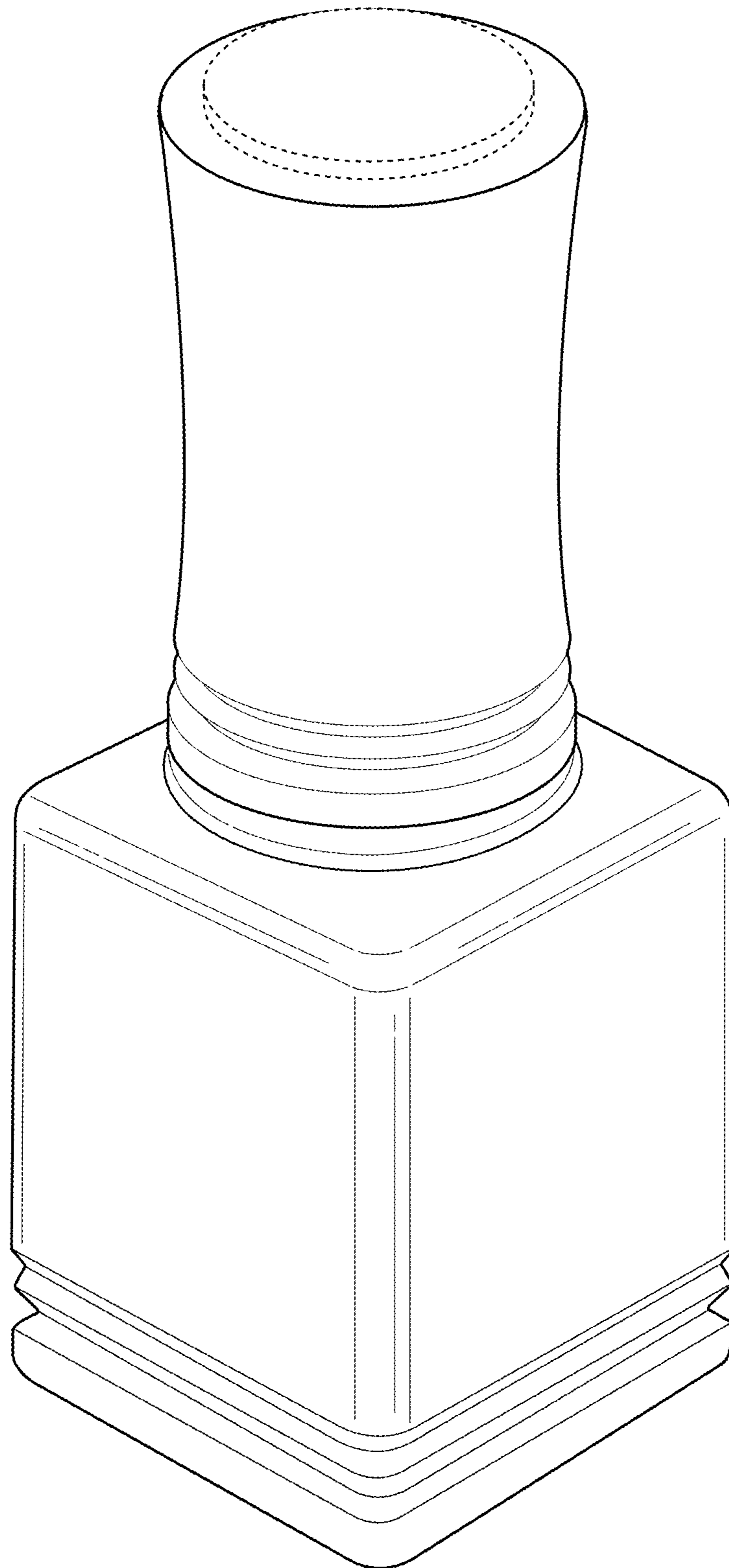
(57) **CLAIM**  
The ornamental design for a bottle, as shown and described.

**DESCRIPTION**

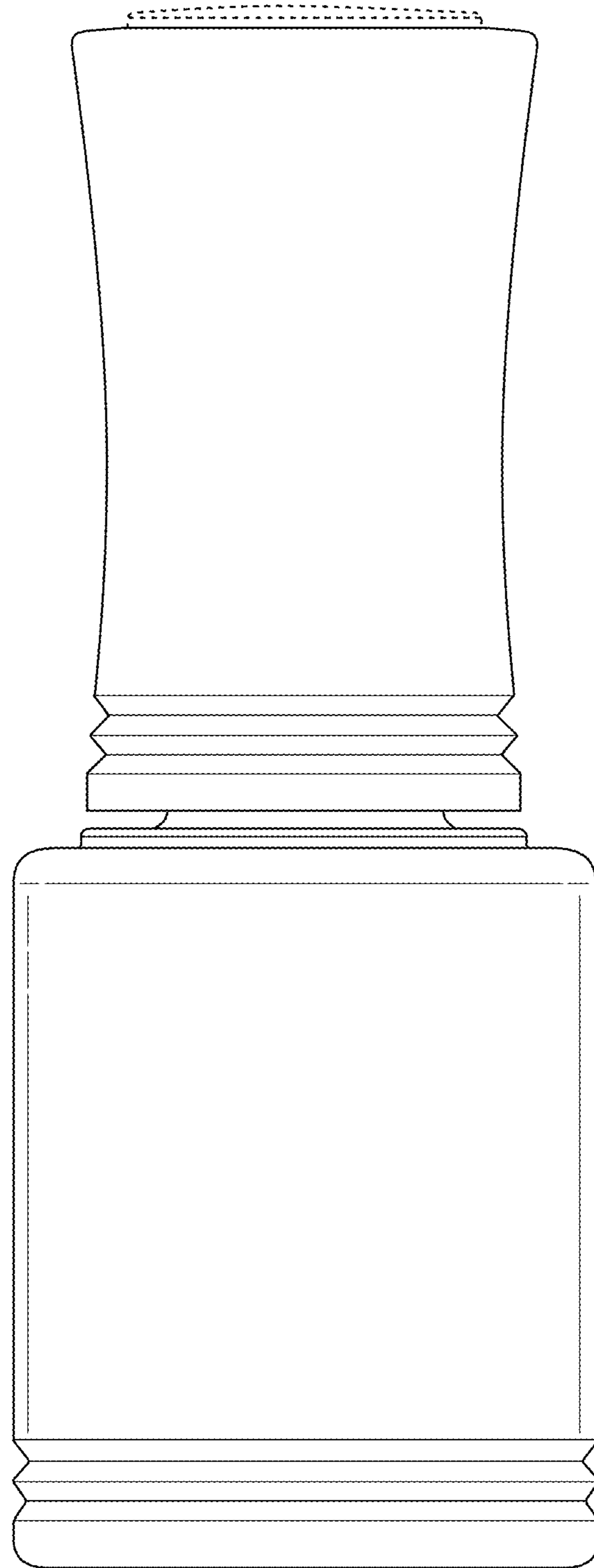
FIG. 1 is a top, front right side perspective view of a bottle showing our new design; FIG. 2 is a side elevation view thereof, the opposing side, front and rear elevation views being identical; and, FIG. 3 is a top plan view thereof. The broken lines in the drawings illustrate the portions of the bottle that form no part of the claim.

**1 Claim, 3 Drawing Sheets**

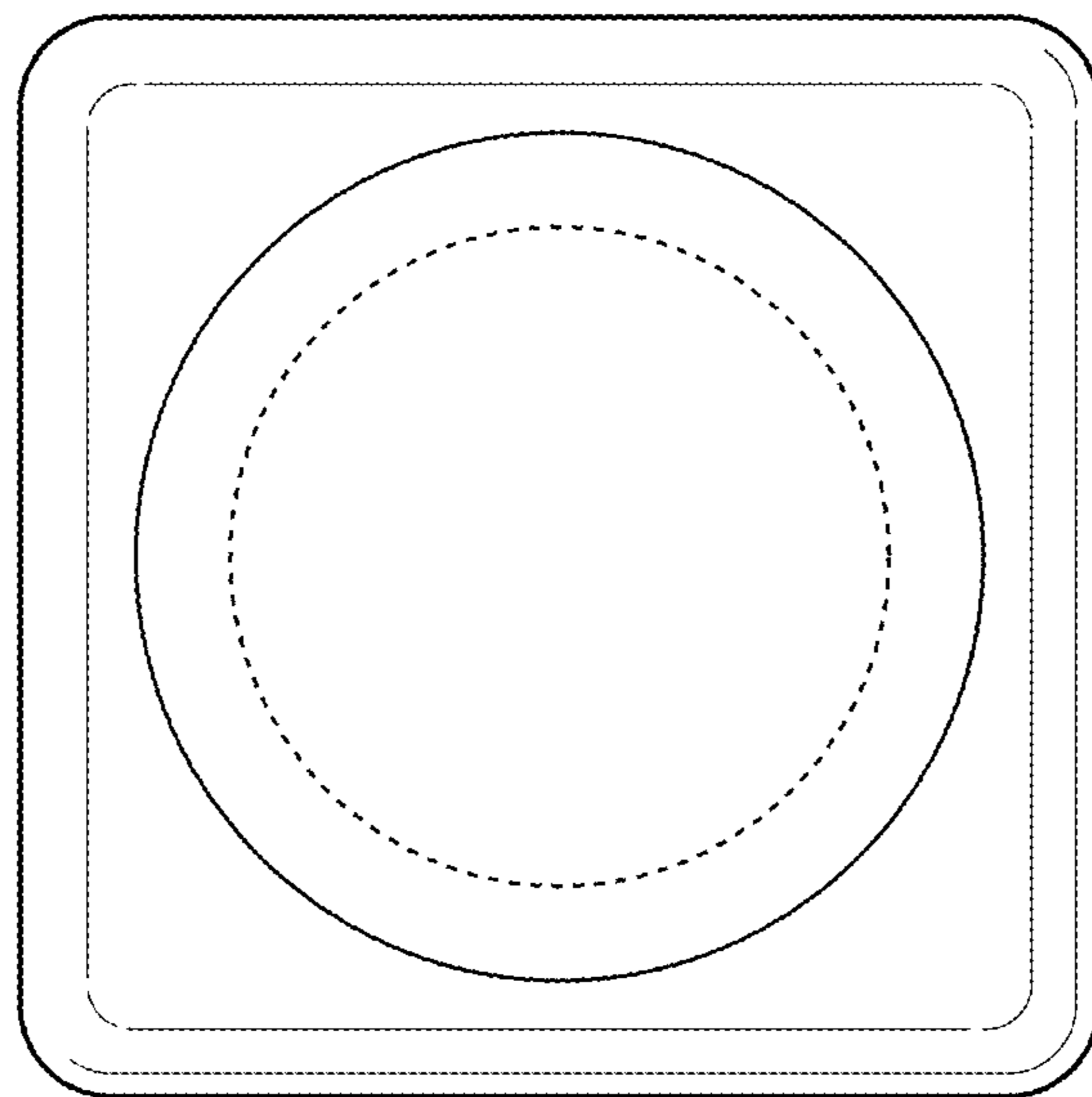




**FIG. 1**



**FIG. 2**



**FIG. 3**