



US00D770899S

(12) **United States Design Patent** (10) **Patent No.:** **US D770,899 S**
Knights (45) **Date of Patent:** **** Nov. 8, 2016**

(54) **LIQUID DISPENSER**
(71) Applicant: **Rieke Packaging Systems Limited,**
Leicester, Leicestershire (GB)
(72) Inventor: **Simon Christopher Knight,** Bridgend
(GB)
(73) Assignee: **Rieke Packaging Systems Limited,**
Leicester (GB)

D551,904 S * 10/2007 Rousso D7/510
D627,599 S * 11/2010 Richau D7/510
D660,151 S * 5/2012 Mongeon D9/448
D681,456 S * 5/2013 Agarwal D7/392
D705,598 S * 5/2014 Prokop D7/392
RE45,055 E * 8/2014 Roth D7/392.1
D712,741 S * 9/2014 Vukelic D9/435
D732,892 S * 6/2015 Keys D7/510
2014/0312072 A1 * 10/2014 Knight A61M 11/00
222/153.13
2015/0122847 A1 * 5/2015 Pritchett B05B 11/0005
222/383.1

(**) Term: **14 Years**

* cited by examiner

(21) Appl. No.: **29/506,763**

Primary Examiner — Robert M Spear

(22) Filed: **Oct. 20, 2014**

Assistant Examiner — Marissa J Cash

(51) **LOC (10) Cl.** **07-01**

(74) *Attorney, Agent, or Firm* — Woodard Emhardt

(52) **U.S. Cl.**

Moriarty McNett & Henry LLP

USPC **D9/510**

(58) **Field of Classification Search**

(57) **CLAIM**

USPC D7/300, 300.1, 300.2, 303, 313, 317,
D7/602, 387, 509, 510, 511, 538; D9/434,
D9/435, 436, 439, 440, 441, 442, 443, 444,
D9/445, 446, 447, 448, 449, 450, 451, 452,
D9/453, 454, 499; D24/130

The ornamental design for a liquid dispenser, as shown and described.

CPC B65D 41/26; B65D 41/32; B65D 59/06;
B65D 47/0814; B65D 47/2031; B65D
51/249; B65D 2251/1066; B65D 41/02;
B65D 23/00; B65D 39/08; B67D 3/0032;
A47G 19/26; A47G 19/2266

DESCRIPTION

See application file for complete search history.

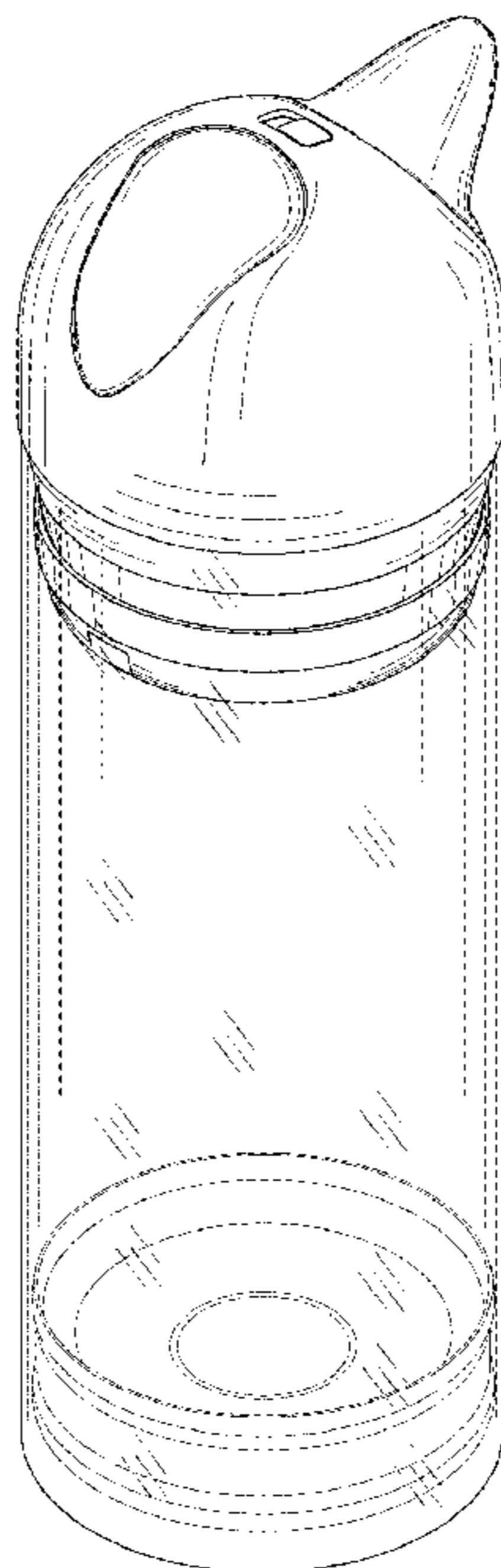
FIG. 1 is a front perspective view of the liquid dispenser showing my new design;
FIG. 2 is a rear perspective view thereof;
FIG. 3 is a front elevational view thereof;
FIG. 4 is a rear elevational view thereof;
FIG. 5 is a right side elevational view thereof;
FIG. 6 is a left side elevational view thereof;
FIG. 7 is a top plan view thereof; and,
FIG. 8 is a bottom plan view thereof.

(56) **References Cited**

U.S. PATENT DOCUMENTS

D413,257 S * 8/1999 Favre D9/690
D551,021 S * 9/2007 Rousso D7/510

1 Claim, 4 Drawing Sheets



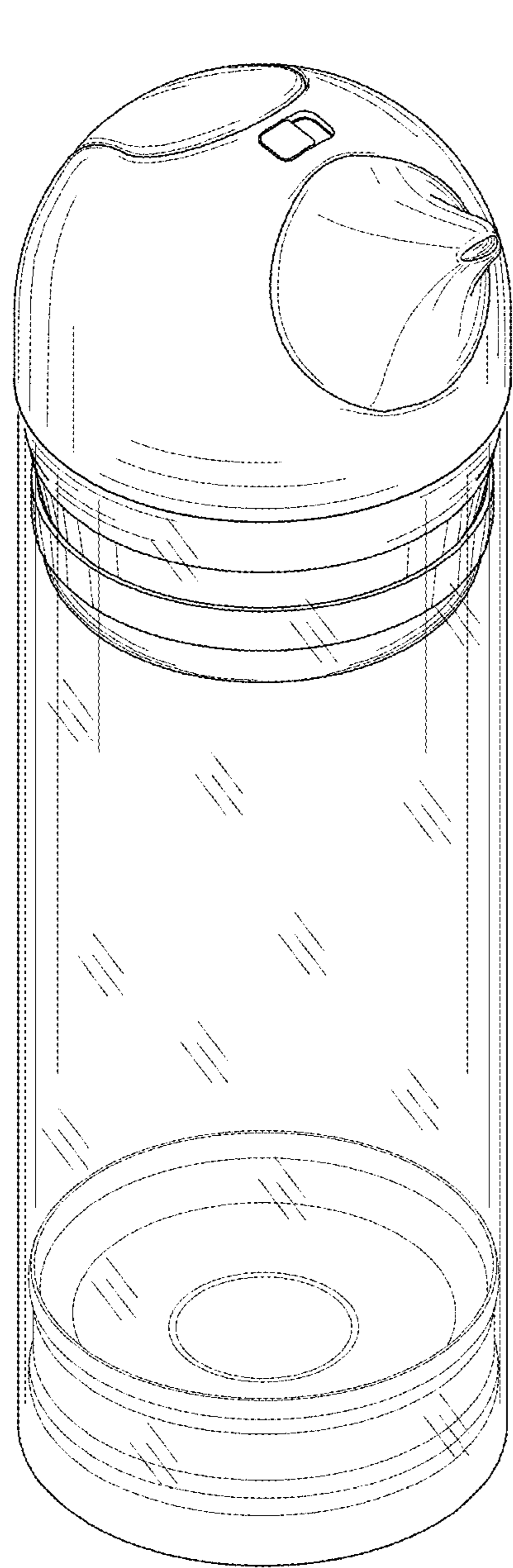


FIG. 1

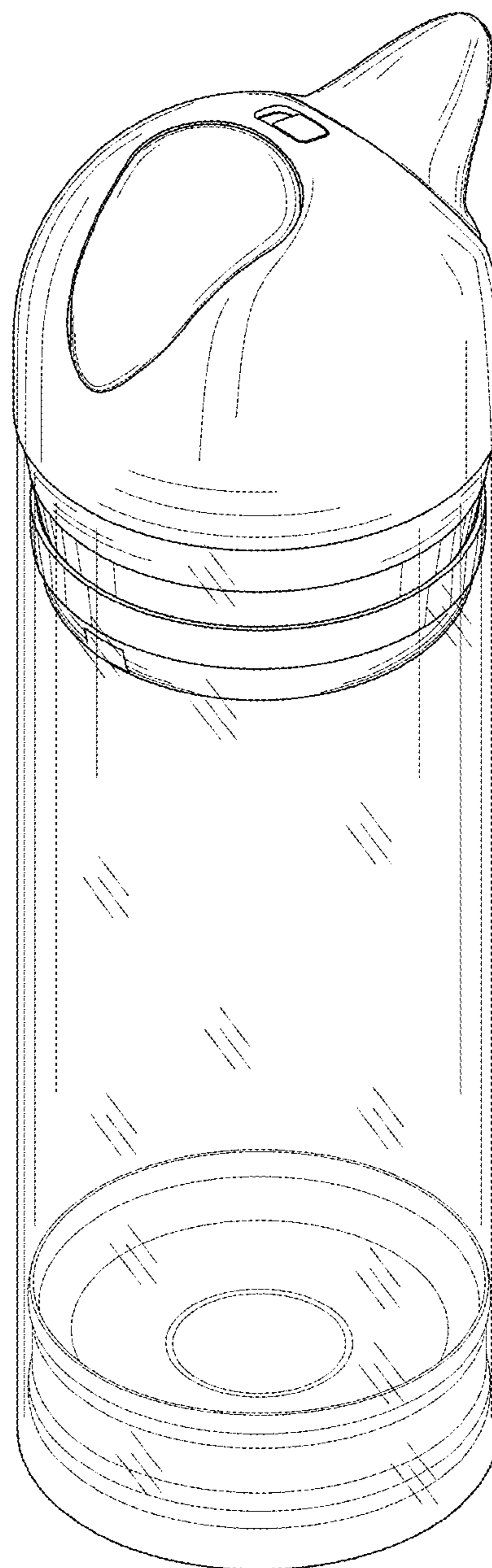


FIG. 2

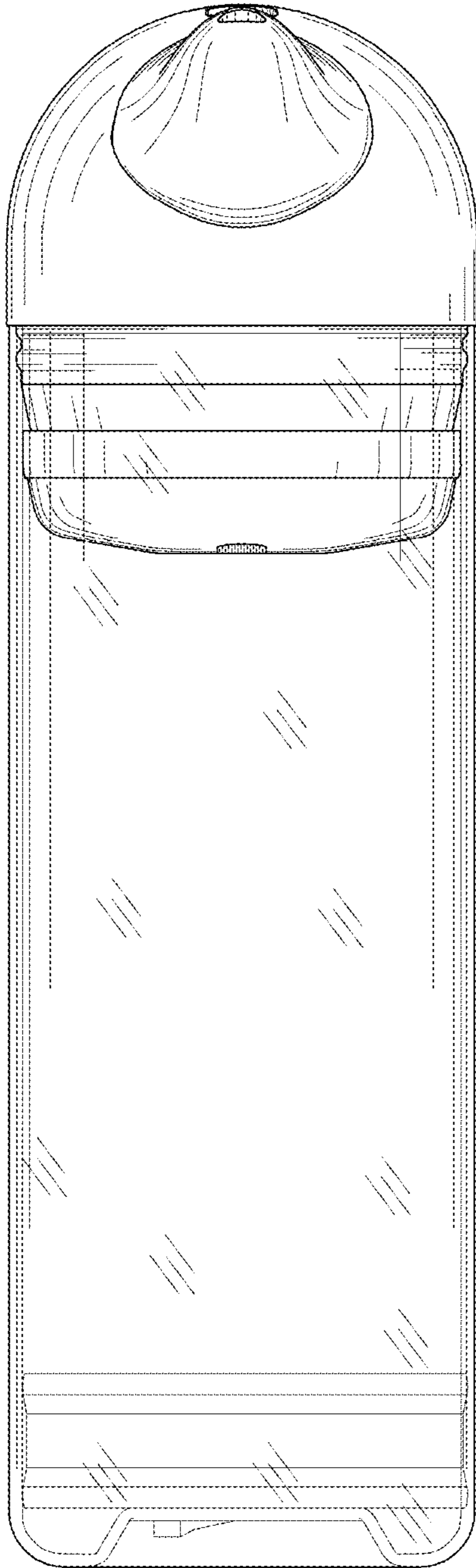


FIG. 3

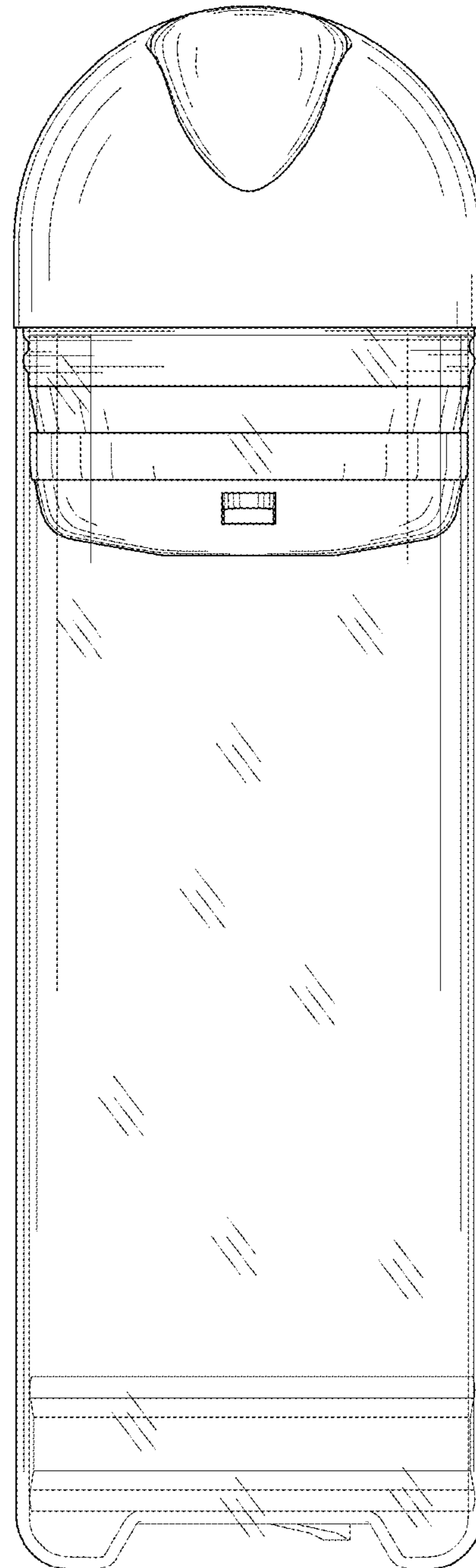


FIG. 4

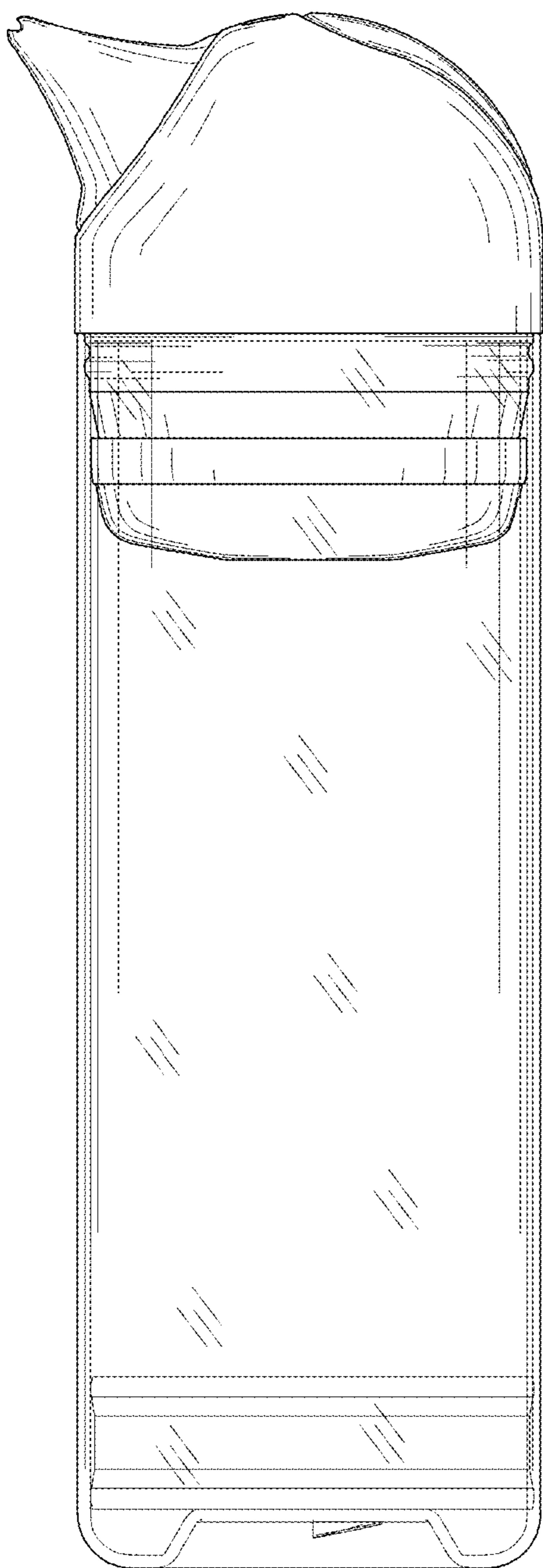


FIG. 5

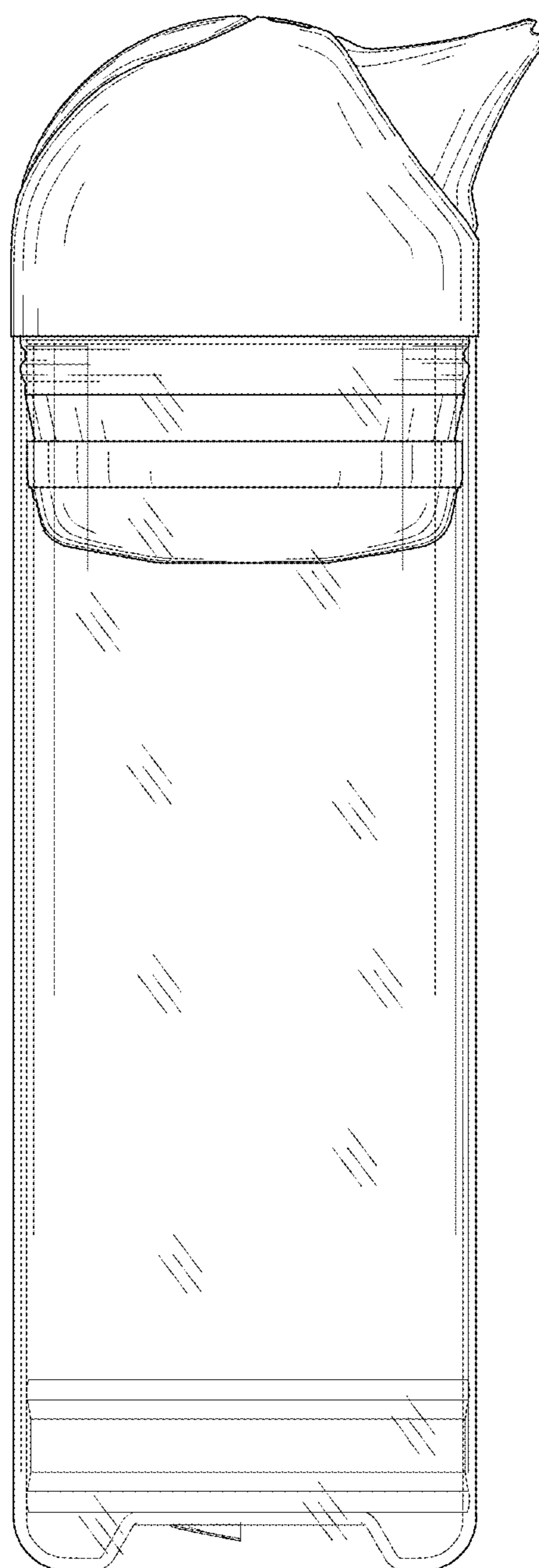


FIG. 6

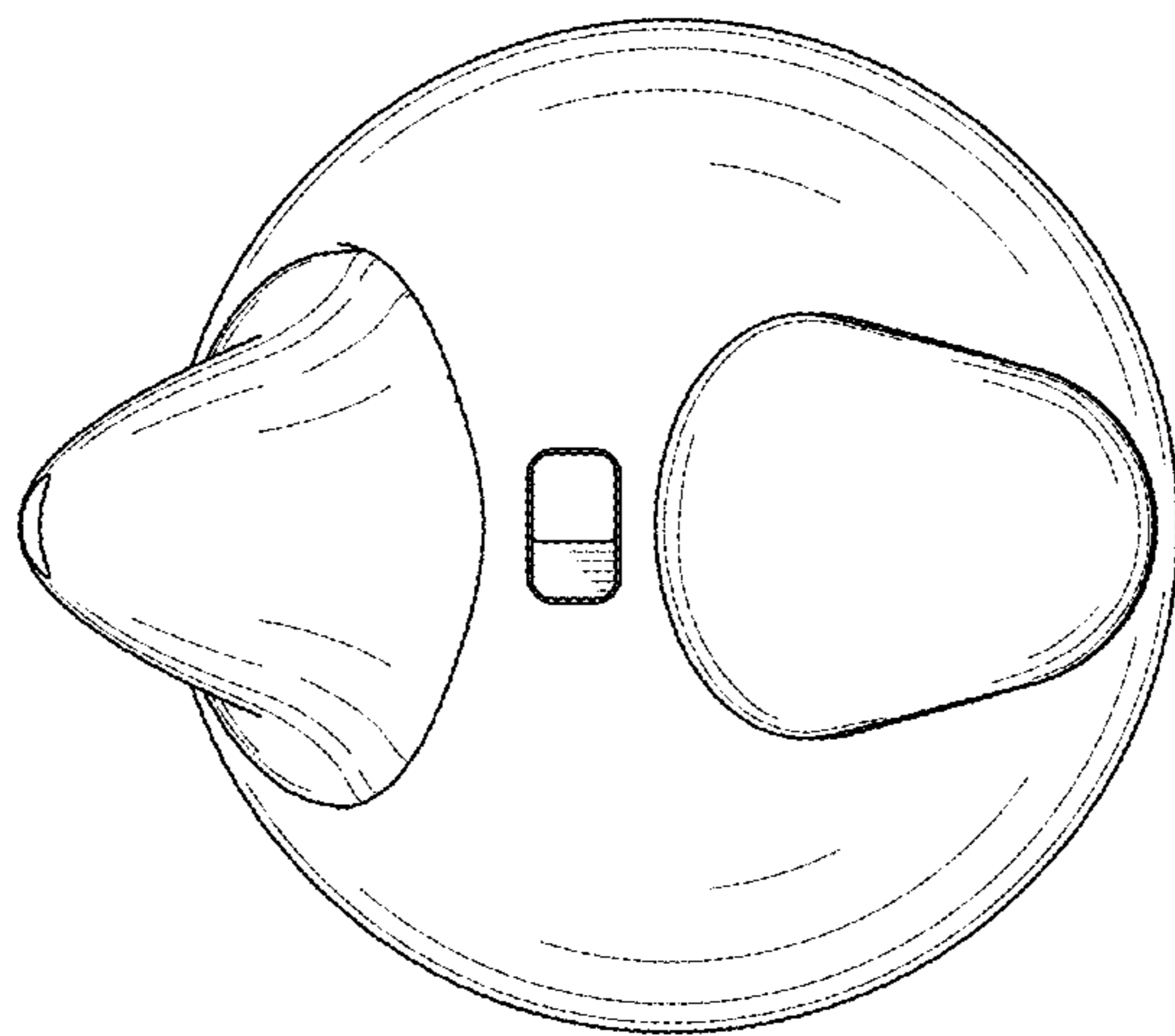


FIG. 7

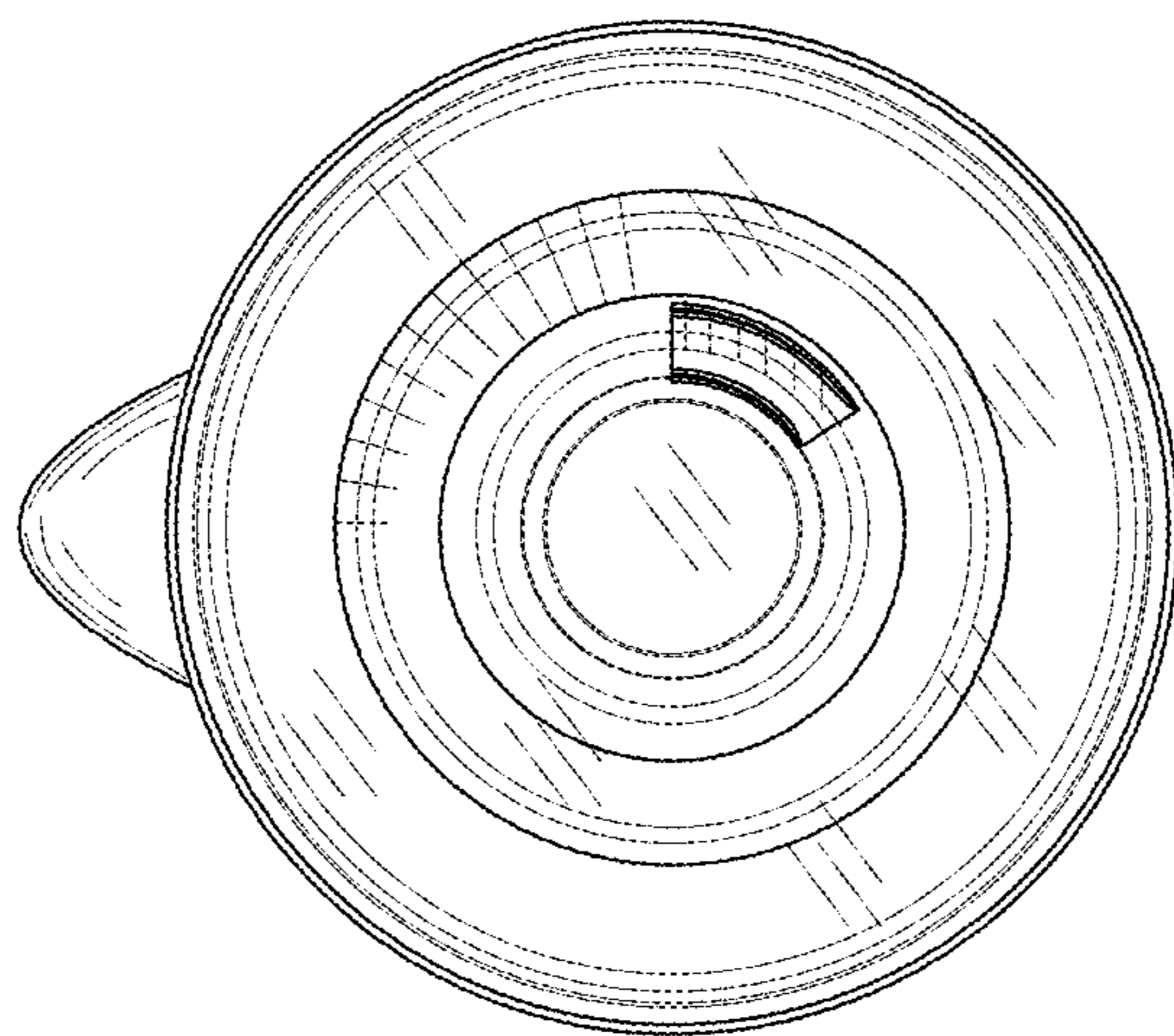


FIG. 8