



US00D770892S

(12) **United States Design Patent** (10) **Patent No.:** **US D770,892 S**
Zinevich (45) **Date of Patent:** **** Nov. 8, 2016**

- (54) **INDIVIDUALIZED BOTTLE CAP**
- (71) Applicant: **Ana M. Zinevich**, Hampton, VA (US)
- (72) Inventor: **Ana M. Zinevich**, Hampton, VA (US)
- (**) Term: **15 Years**
- (21) Appl. No.: **29/505,257**
- (22) Filed: **Aug. 13, 2015**
- (51) **LOC (10) Cl.** **09-03**
- (52) **U.S. Cl.**
USPC **D9/451; D9/454**
- (58) **Field of Classification Search**
USPC D9/600, 652, 500-505, 516, 434-454;
206/457, 494, 459.5, 527, 540, 890;
229/116.1; 446/77; 215/381-384, 400;
D7/514-516, 539, 544, 571, 579, 604,
D7/613, 619.2, 628-630, 391-392.1;
D3/270-271.3
CPC B65D 67/00; B65D 81/36; B65D 81/60;
B65D 81/368; B65D 2203/00; B65D
2203/02; B65D 51/245; B65D 81/365;
B65D 81/366; A63H 33/16
See application file for complete search history.

- (56) **References Cited**
U.S. PATENT DOCUMENTS
D117,605 S * 11/1939 Blunt D9/652
4,680,882 A 7/1987 Watson, Jr.
4,852,763 A 8/1989 Dimberio
D314,907 S * 2/1991 Ricci D9/652
D379,767 S * 6/1997 Rowley D10/15

- D382,484 S * 8/1997 Chahed D9/652
- 6,086,702 A 7/2000 Rea
- 6,293,034 B1 9/2001 Skapyak et al.
- 6,741,150 B2 5/2004 Holmes et al.
- 6,745,505 B2 6/2004 Moran
- D550,077 S * 9/2007 Lagreca D9/652
- D670,534 S * 11/2012 Rudisill, Jr. D7/392.1
- D670,961 S * 11/2012 Rudisill, Jr. D7/392.1
- D670,962 S * 11/2012 Rudisill, Jr. D7/392.1
- D675,097 S * 1/2013 Burke, Jr. D9/436
- D694,120 S * 11/2013 Baussan D9/652
- D727,092 S * 4/2015 Rudisill D7/392.1

* cited by examiner

Primary Examiner — Sandra Morris
(74) *Attorney, Agent, or Firm* — Paul R Martin

(57) **CLAIM**
I claim the ornamental design for an individualized bottle cap, as shown and described.

DESCRIPTION

FIG. 1 is a front, top, and side perspective view of the individualized bottle cap embodying the design of the present invention.

FIG. 2 is a top plan view of the individualized bottle cap.

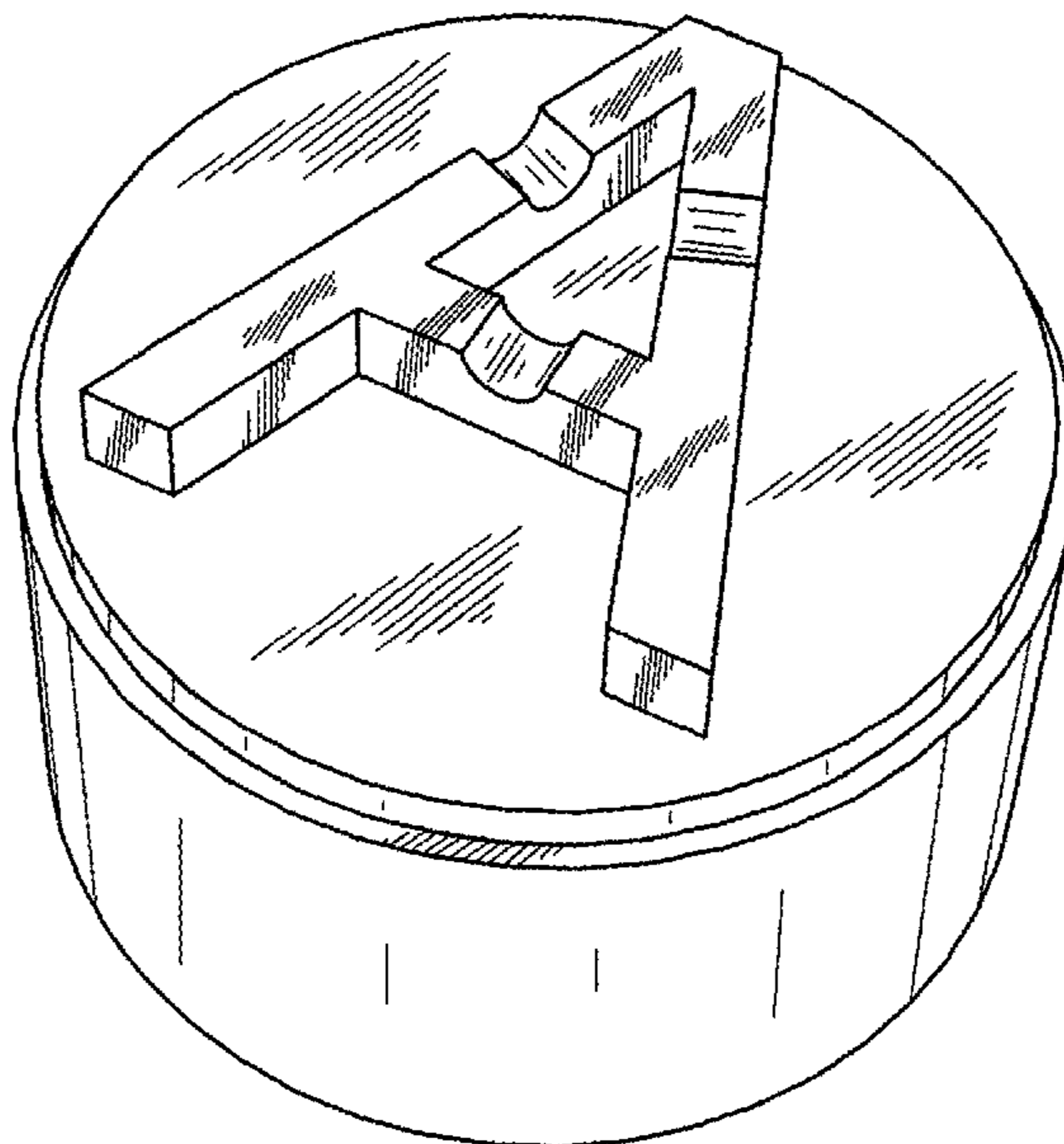
FIG. 3 is a front elevational view of the individualized bottle cap.

FIG. 4 is a rear elevational view of the individualized bottle cap.

FIG. 5 is a side elevational view of the individualized bottle cap; and,

FIG. 6 is a side elevational view of the individualized bottle cap as seen from the side opposite to the side shown in FIG. 5.

1 Claim, 4 Drawing Sheets



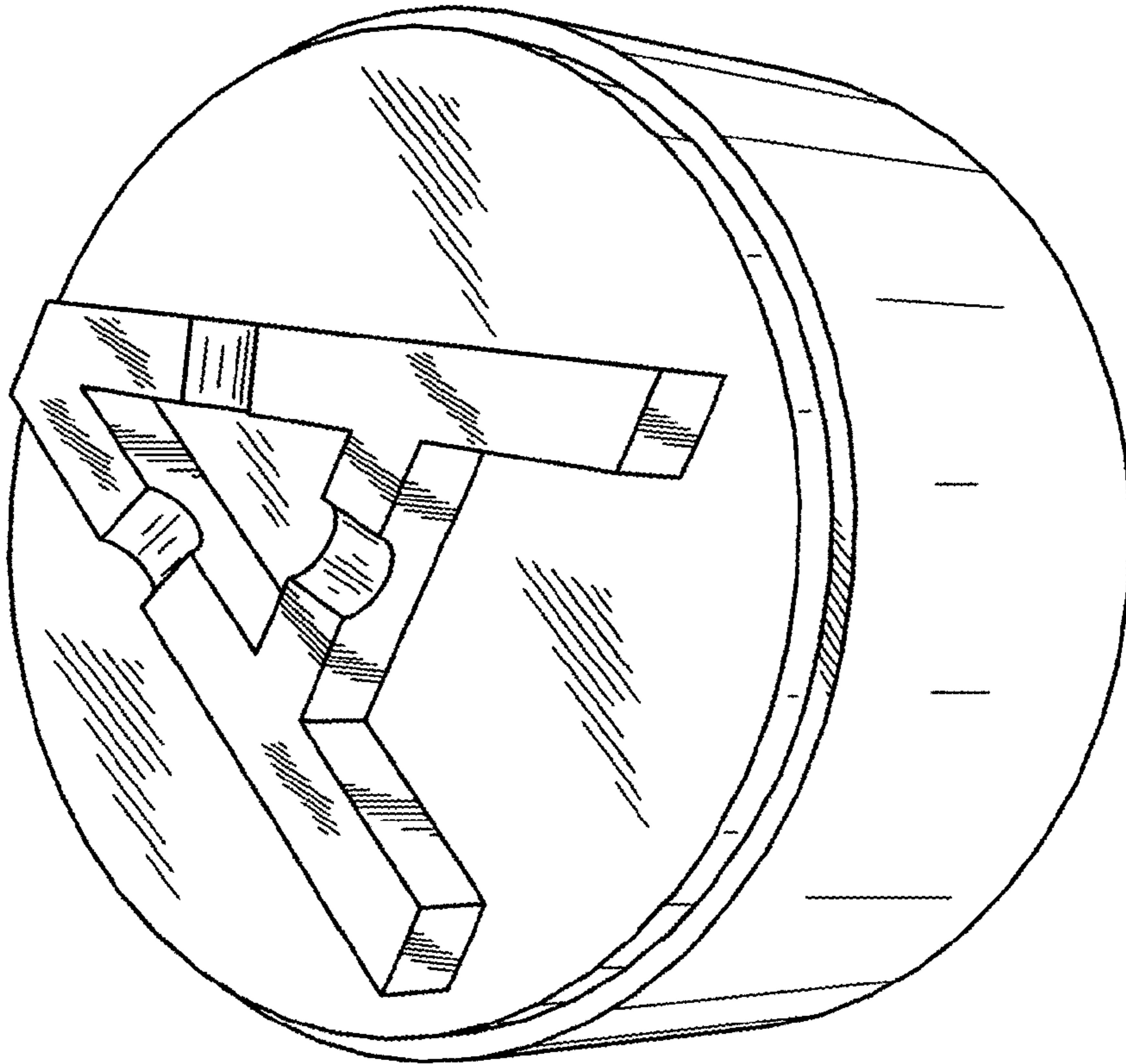


FIG. 1

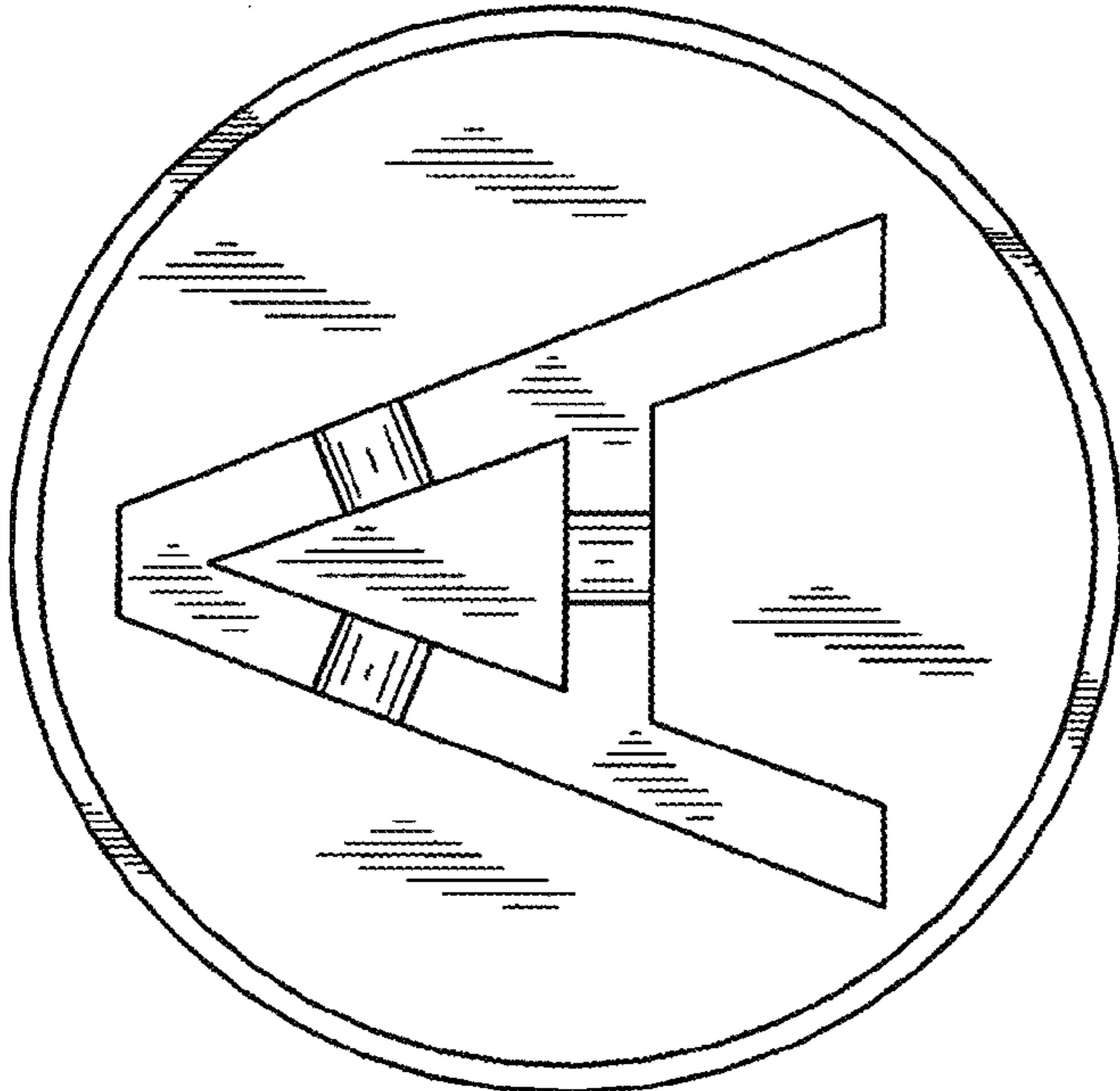


FIG. 2

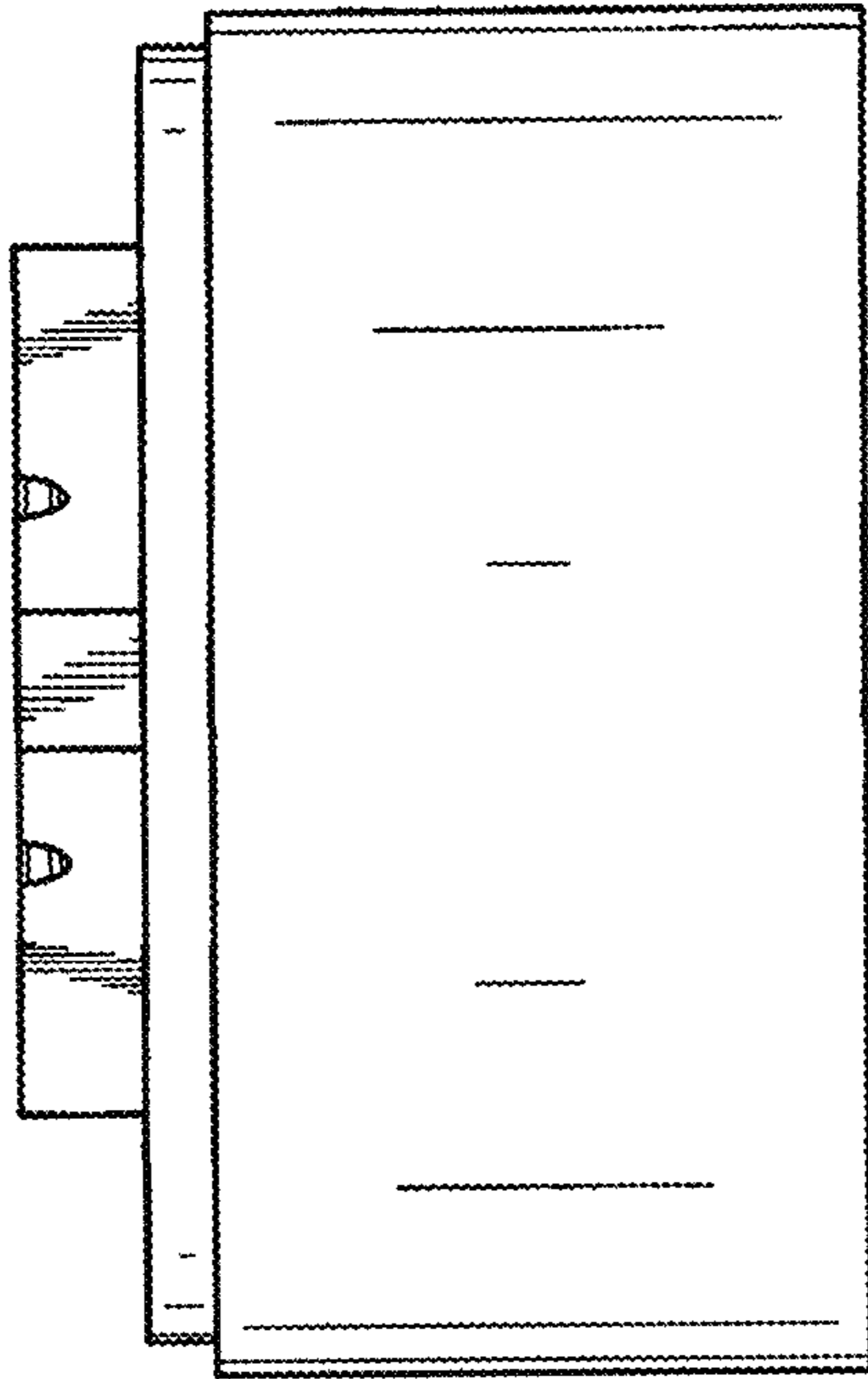


FIG. 3

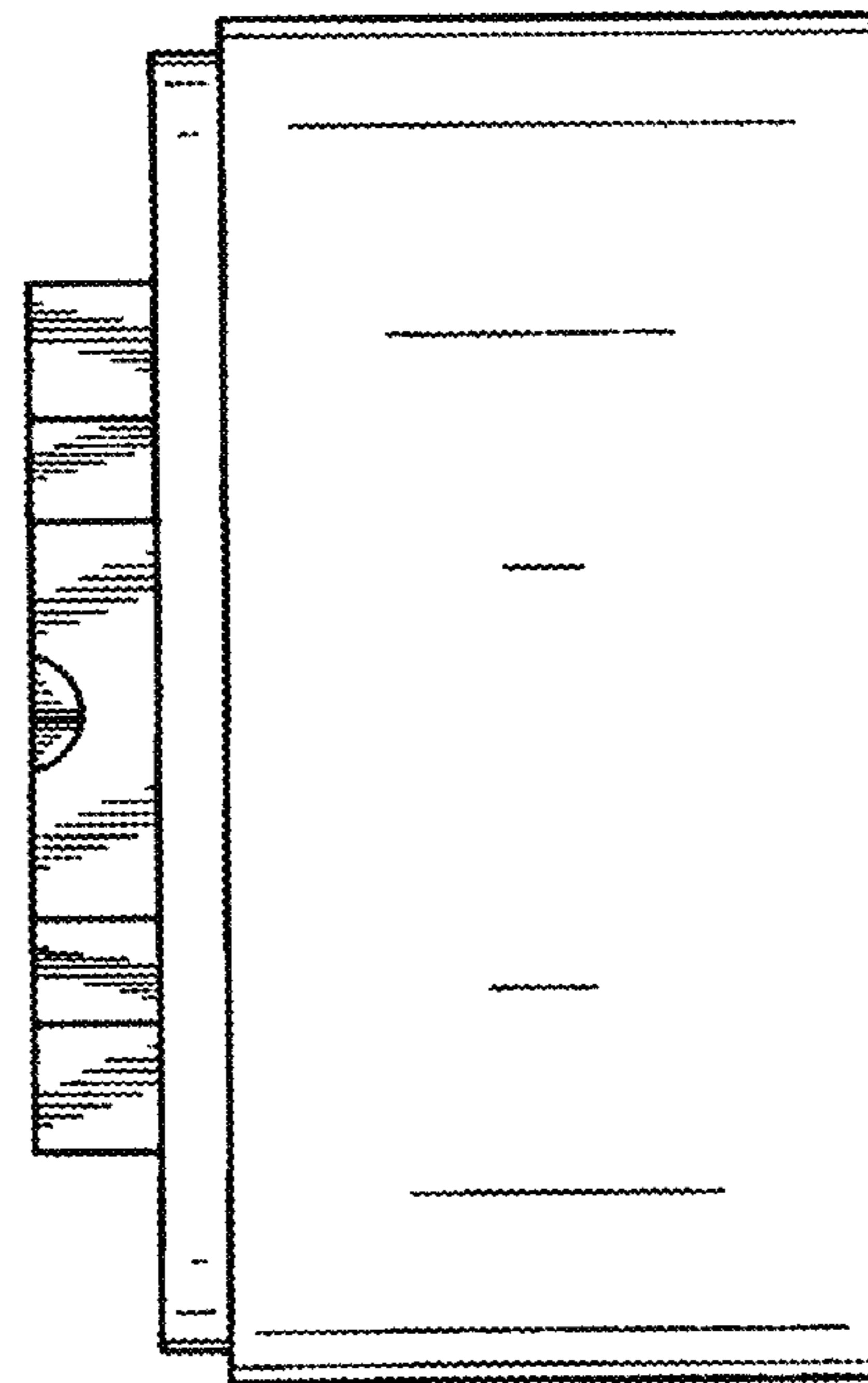


FIG. 4

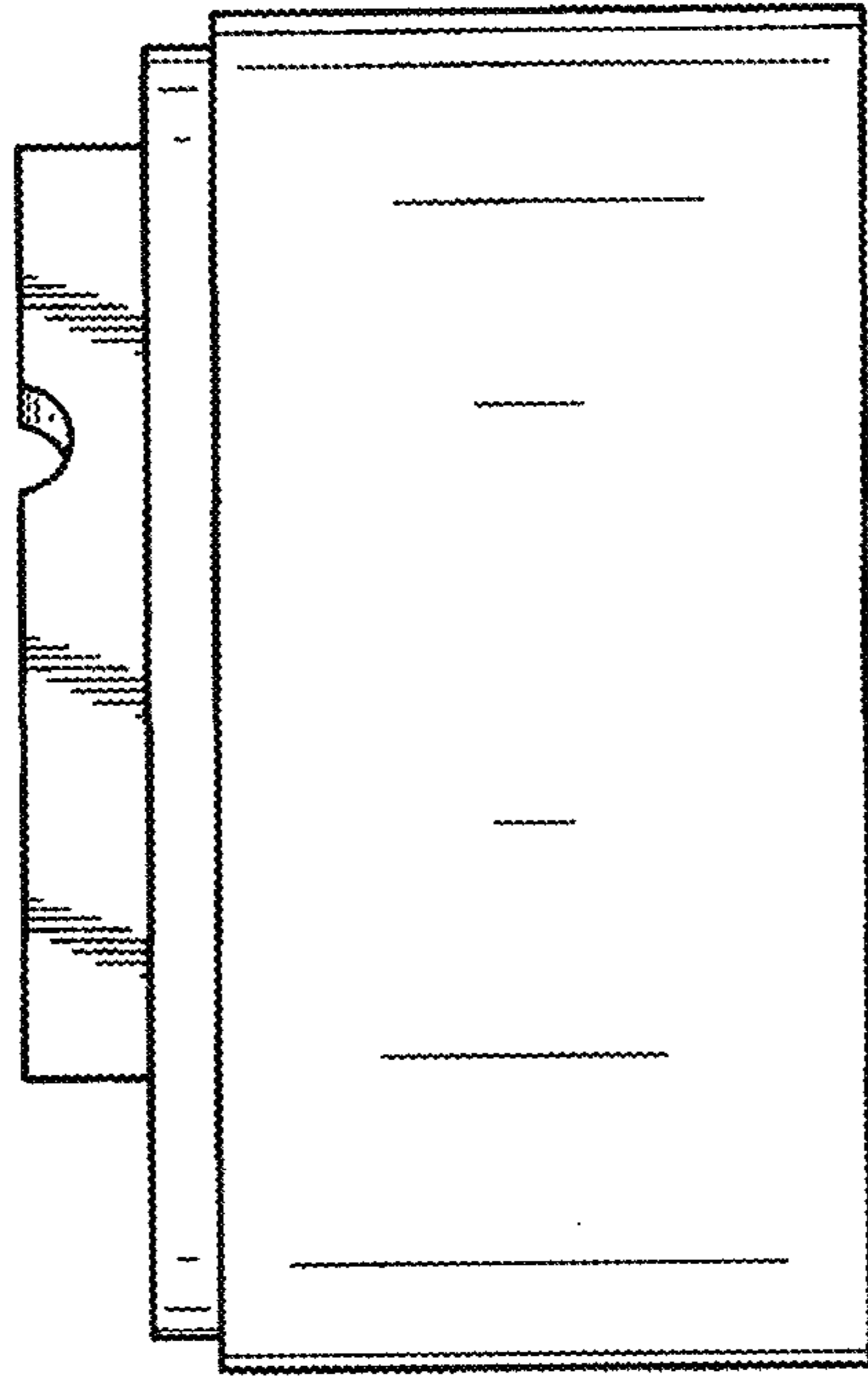


FIG. 6

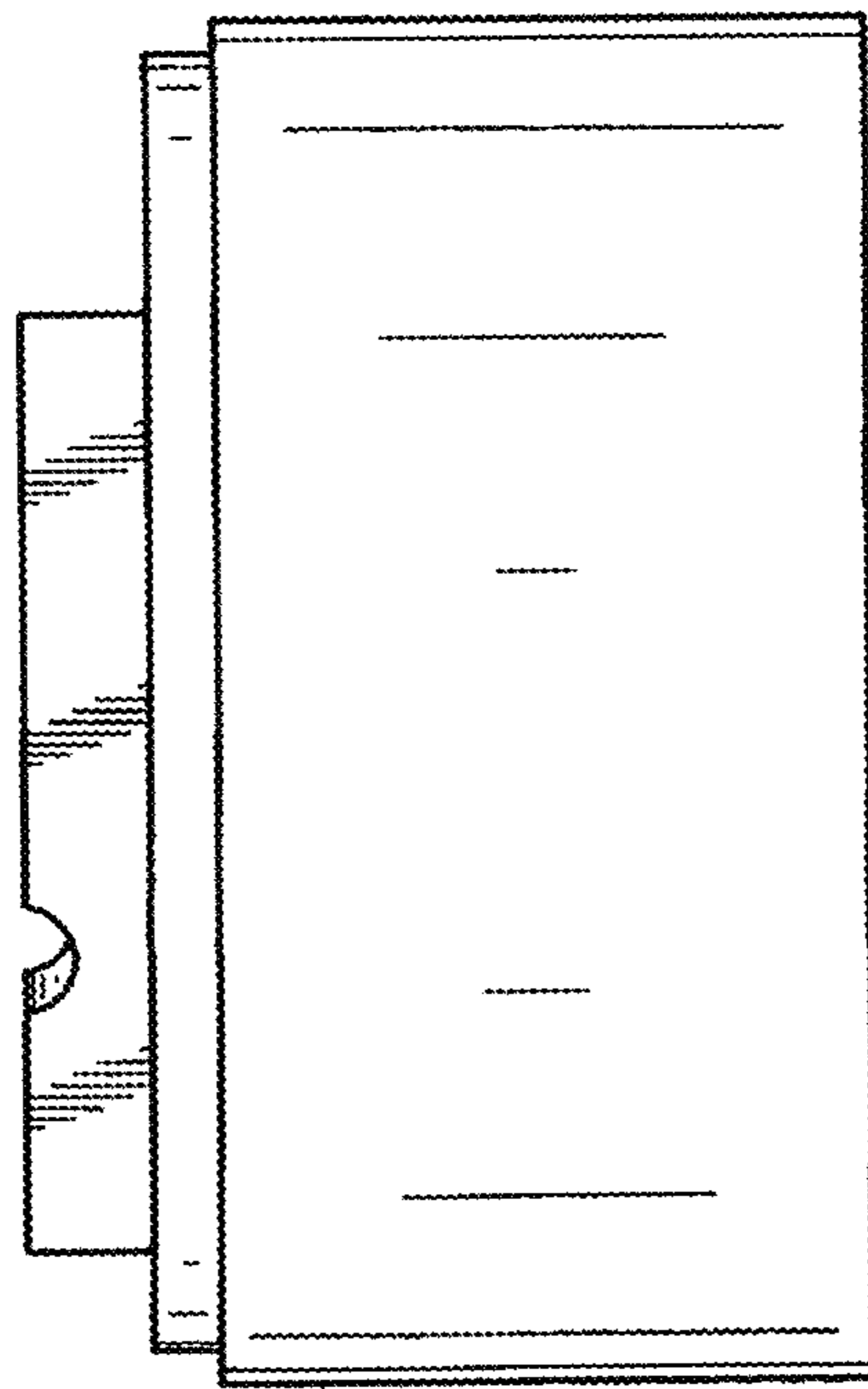


FIG. 5