



US00D770891S

(12) **United States Design Patent** (10) **Patent No.:** **US D770,891 S**  
**Porter** (45) **Date of Patent:** **\*\* Nov. 8, 2016**

(54) **CAN TOP**  
(71) Applicant: **Earnest Allen Porter**, Ft. Worth, TX (US)  
(72) Inventor: **Earnest Allen Porter**, Ft. Worth, TX (US)  
(\*\*) Term: **14 Years**  
(21) Appl. No.: **29/493,765**  
(22) Filed: **Jun. 12, 2014**  
(51) **LOC (10) Cl.** ..... **09-07**  
(52) **U.S. Cl.**  
USPC ..... **D9/438**  
(58) **Field of Classification Search**  
USPC ..... D7/387, 511; D9/434-440, 443-447, D9/449-454, 499, 503, 518, 763, 772; 220/269  
CPC ..... B65D 2517/0014  
See application file for complete search history.

D365,274 S \* 12/1995 Cook ..... D9/438  
D387,666 S \* 12/1997 Wise ..... D9/438  
D387,987 S \* 12/1997 Neiner ..... D9/438  
D396,635 S \* 8/1998 McEldowney ..... D9/438  
D405,010 S \* 2/1999 Peter ..... D9/438  
D448,666 S \* 10/2001 Fields ..... D9/438  
D559,680 S \* 1/2008 Jacober ..... D9/438  
D704,555 S \* 5/2014 Hernandez ..... D9/438  
D715,647 S \* 10/2014 Jacober ..... D9/438  
D727,725 S \* 4/2015 Jacober ..... D9/438  
D749,415 S \* 2/2016 Scott ..... D9/438  
2013/0037542 A1\* 2/2013 Crothers ..... B65D 17/165 220/269

\* cited by examiner  
*Primary Examiner* — Robert M Spear  
*Assistant Examiner* — Darcey E Heflin  
(74) *Attorney, Agent, or Firm* — Dunlap Bennett & Ludwig PLLC

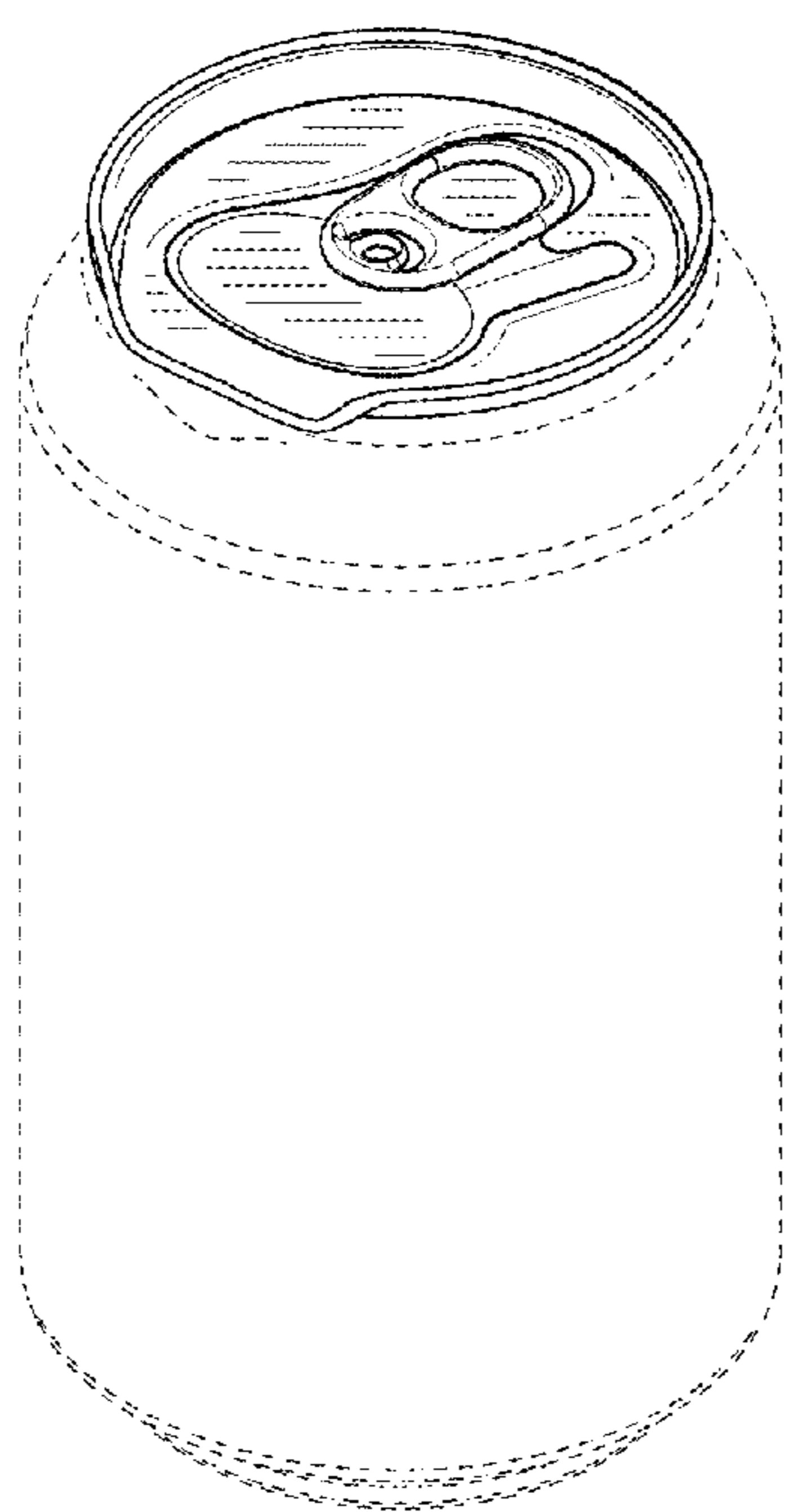
(57) **CLAIM**  
The ornamental design for a can top, as shown and described.

**DESCRIPTION**

FIG. 1 is a perspective front view of a can top;  
FIG. 2 is a front view of the can top;  
FIG. 3 is a rear view of the can top;  
FIG. 4 is a left view of the can top, the right side being a mirror image thereof;  
FIG. 5 is a top view of the can top; and,  
FIG. 6 is a bottom view of the can top.  
In the drawings, the broken lines depict a can neck, a can body and a can base that form no part of the claim.

**1 Claim, 3 Drawing Sheets**

(56) **References Cited**  
U.S. PATENT DOCUMENTS  
D209,429 S \* 11/1967 Saunders ..... D9/438  
D238,150 S \* 12/1975 Cudzik ..... D9/438  
D263,802 S \* 4/1982 Frazee ..... D9/438  
D263,803 S \* 4/1982 Frazee ..... D9/438  
D265,463 S \* 7/1982 Hasegawa ..... D9/438  
D266,991 S \* 11/1982 Hasegawa ..... D9/438  
4,503,989 A \* 3/1985 Brown ..... B21D 51/383 220/269  
D321,326 S \* 11/1991 Harwood ..... D9/438  
D332,402 S \* 1/1993 Harwood ..... D9/438



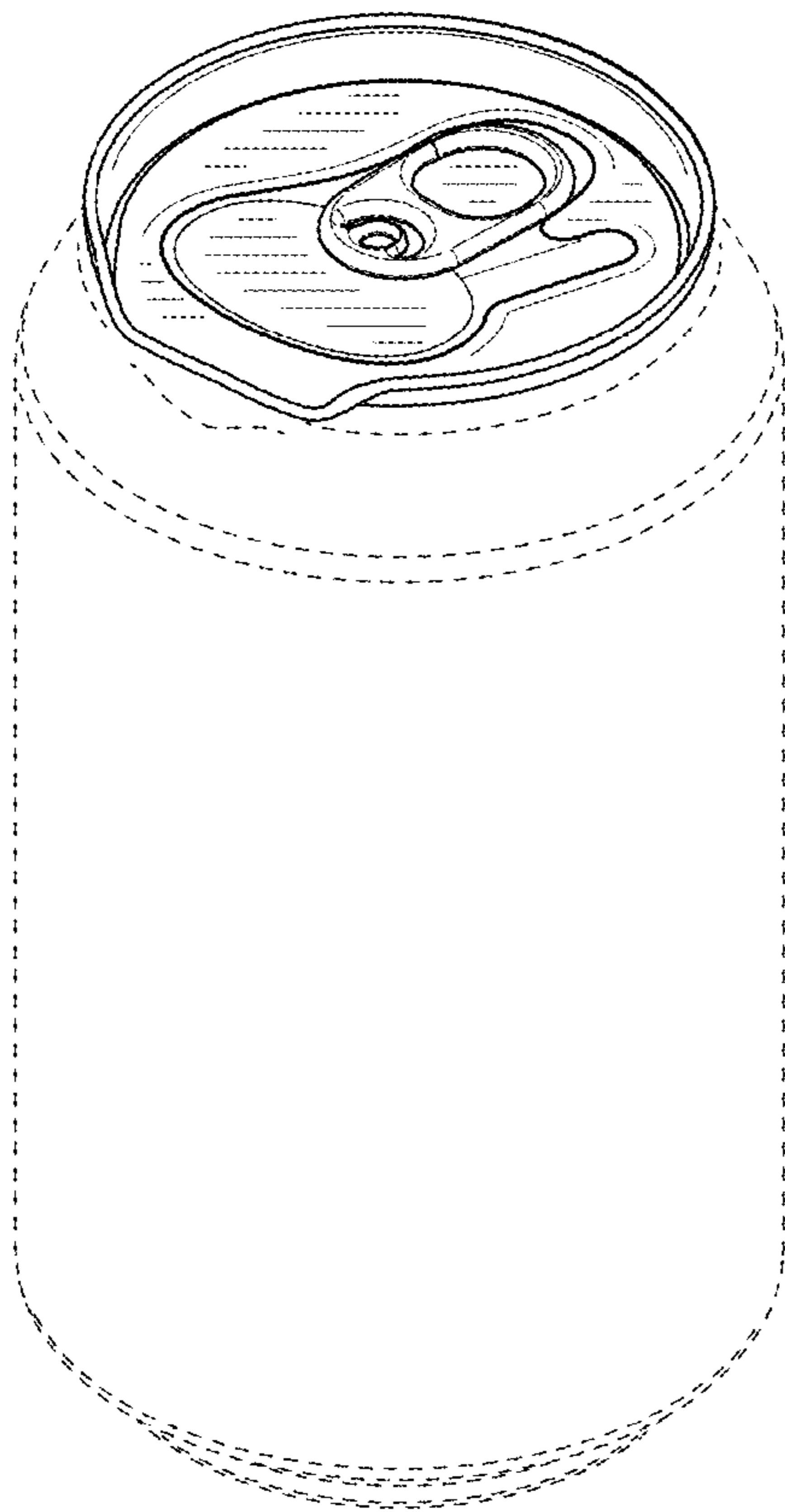


FIG. 1

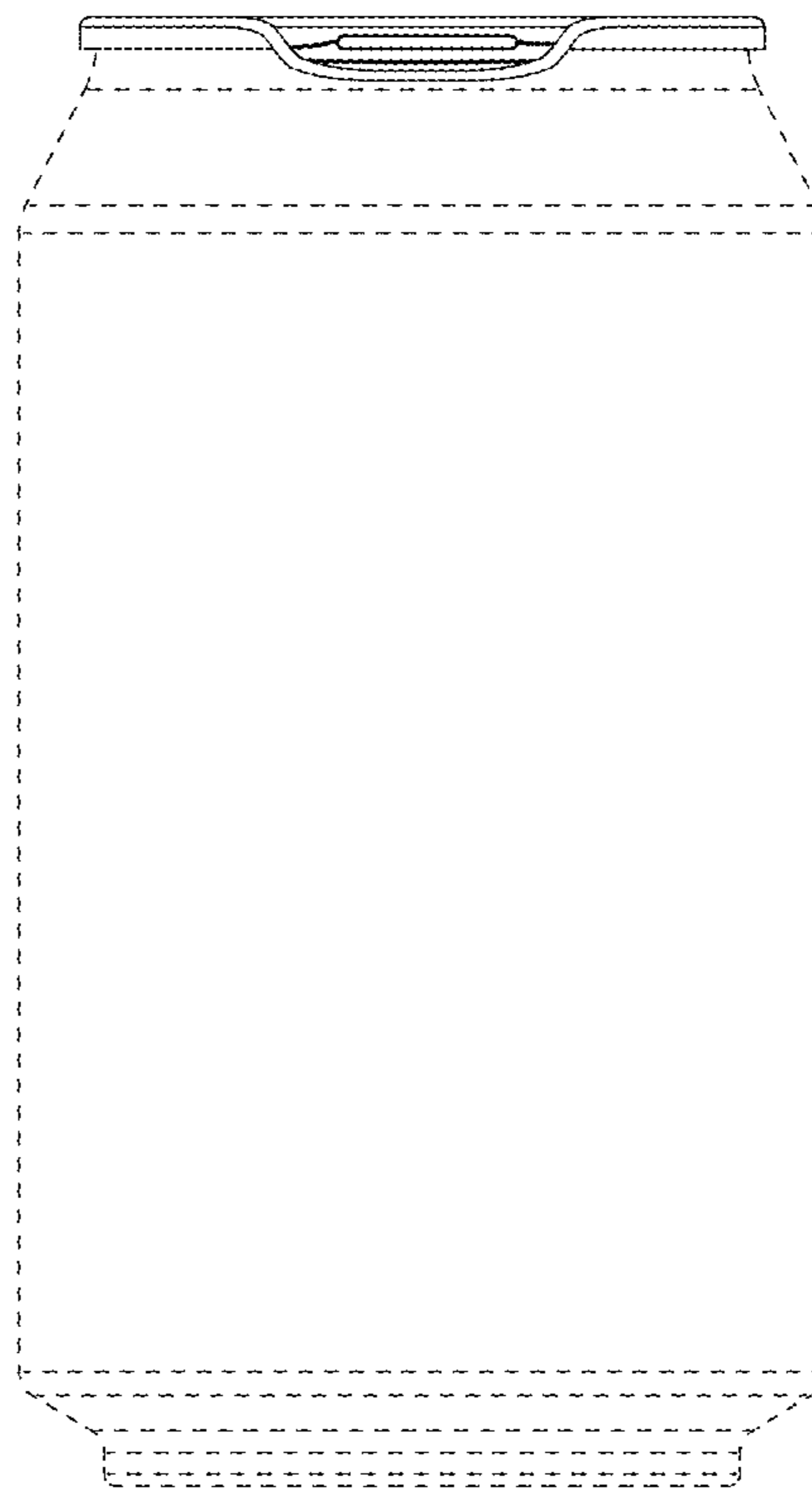


FIG. 2

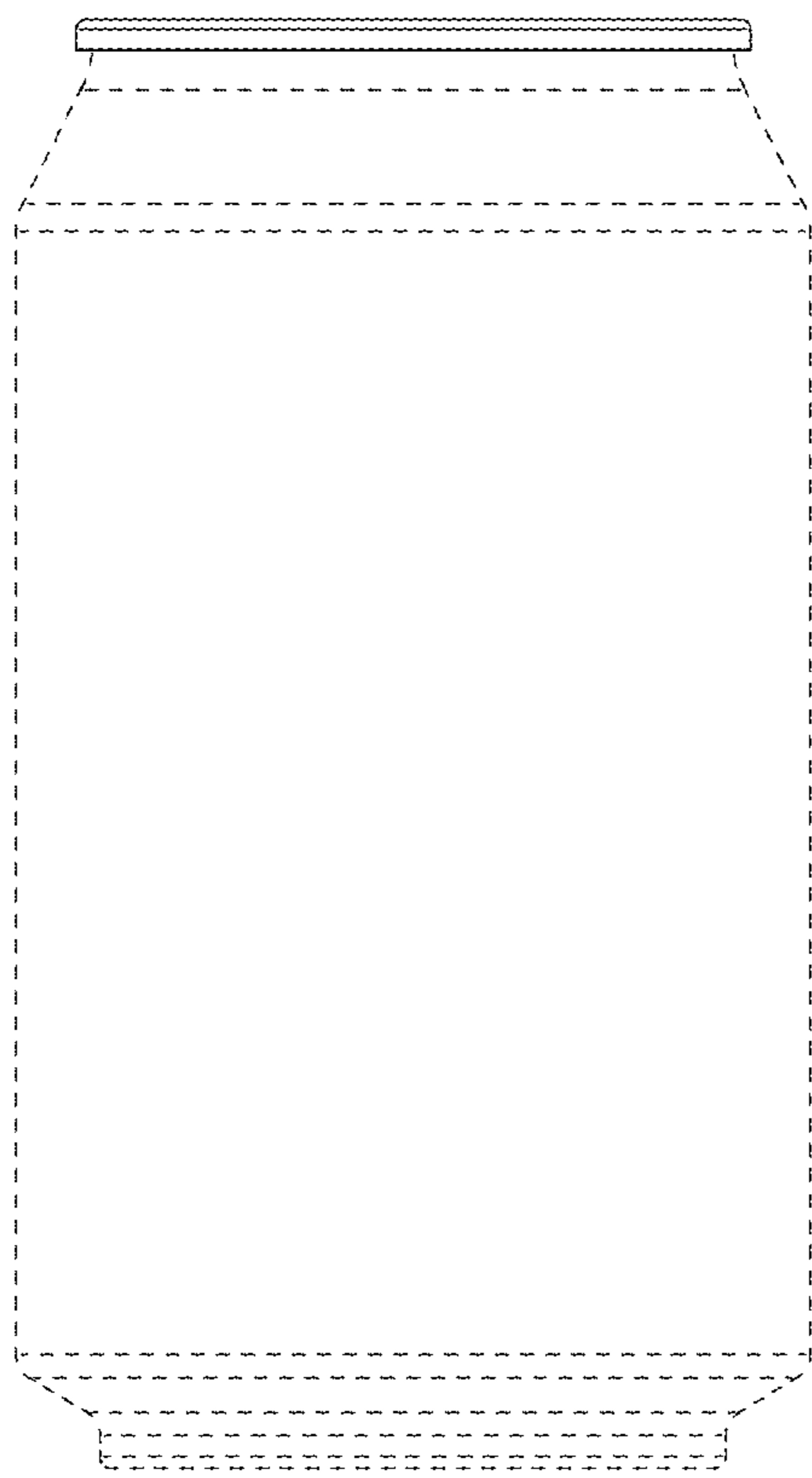


FIG. 3

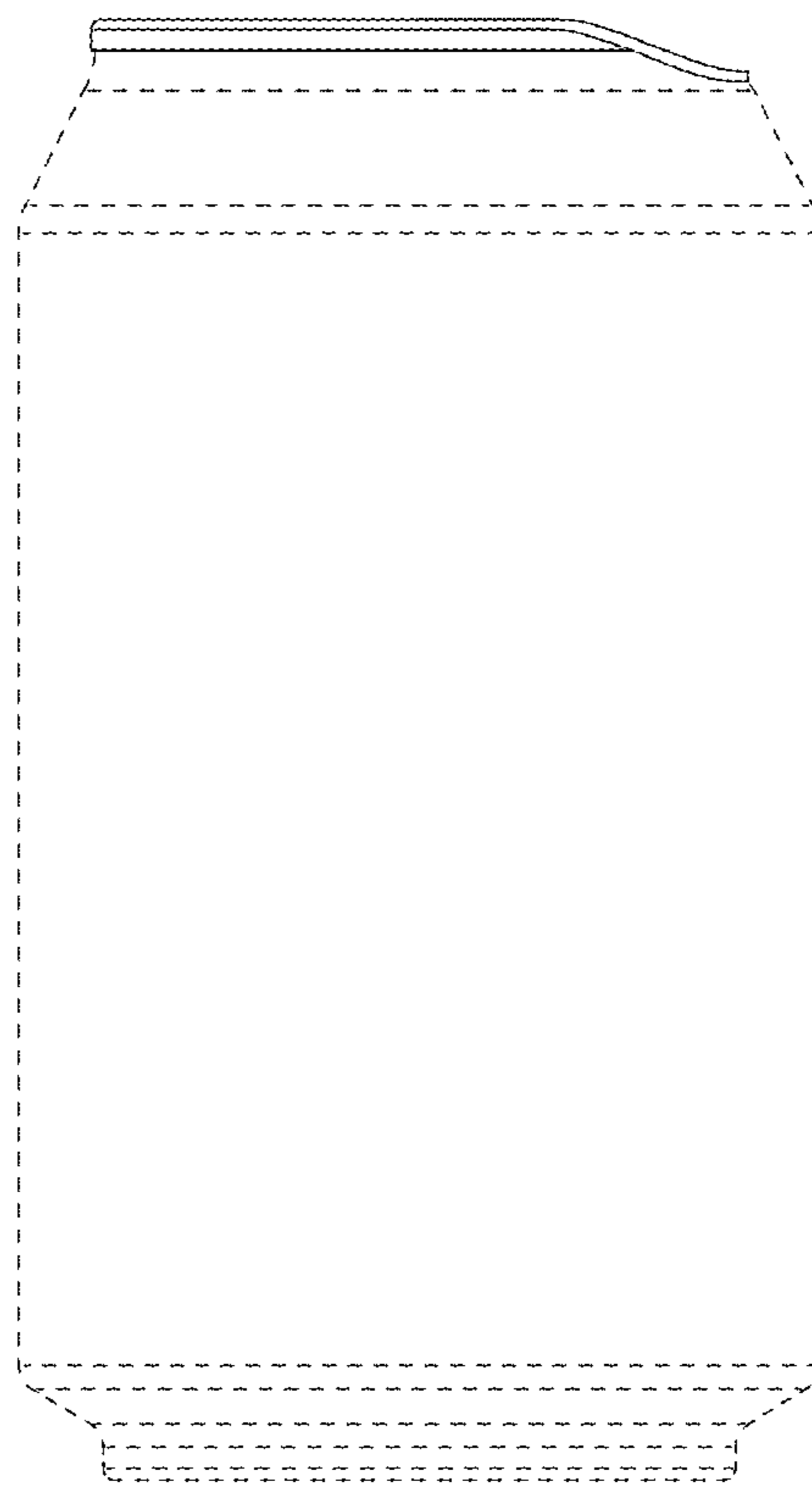


FIG. 4

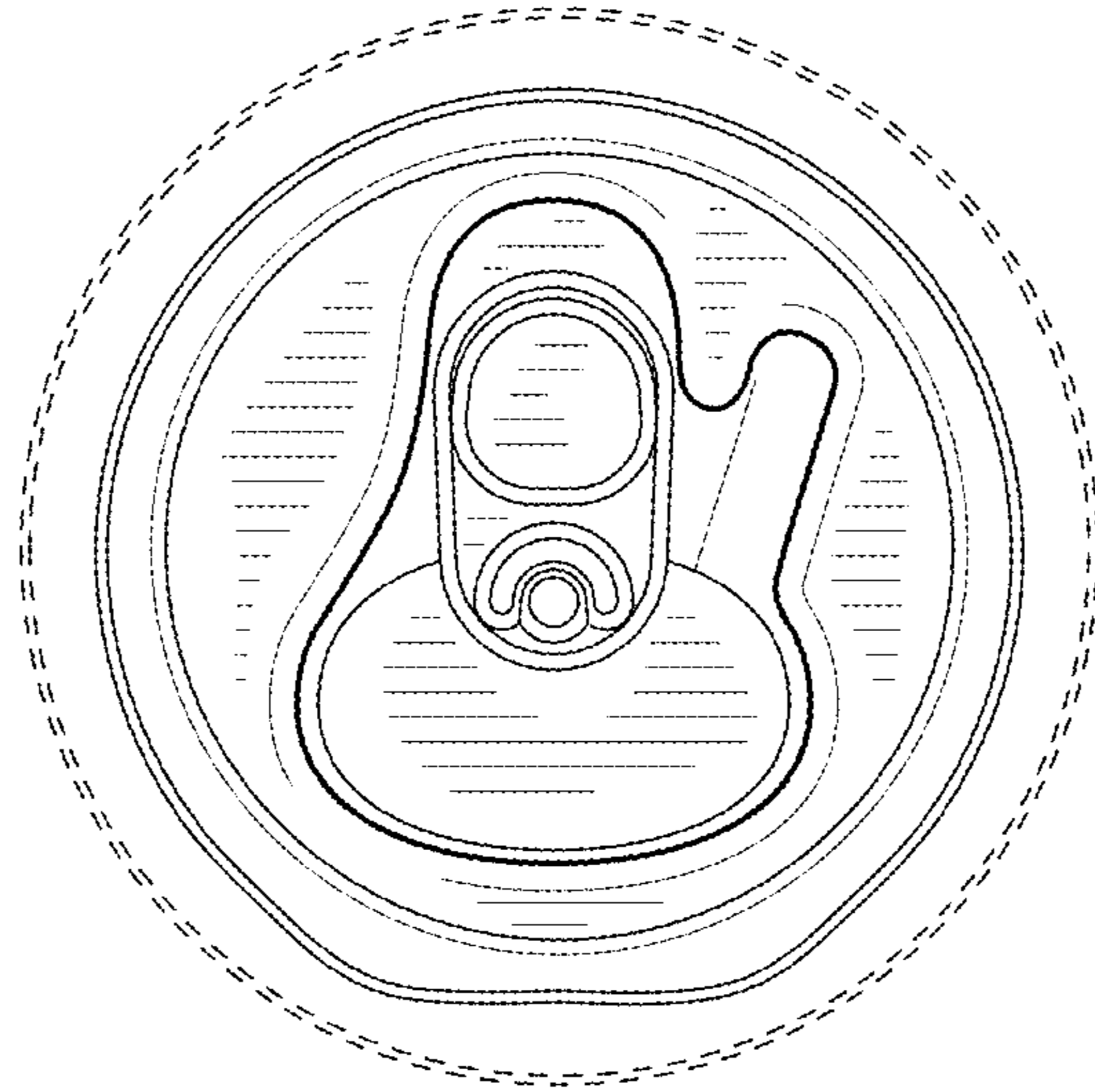


FIG. 5

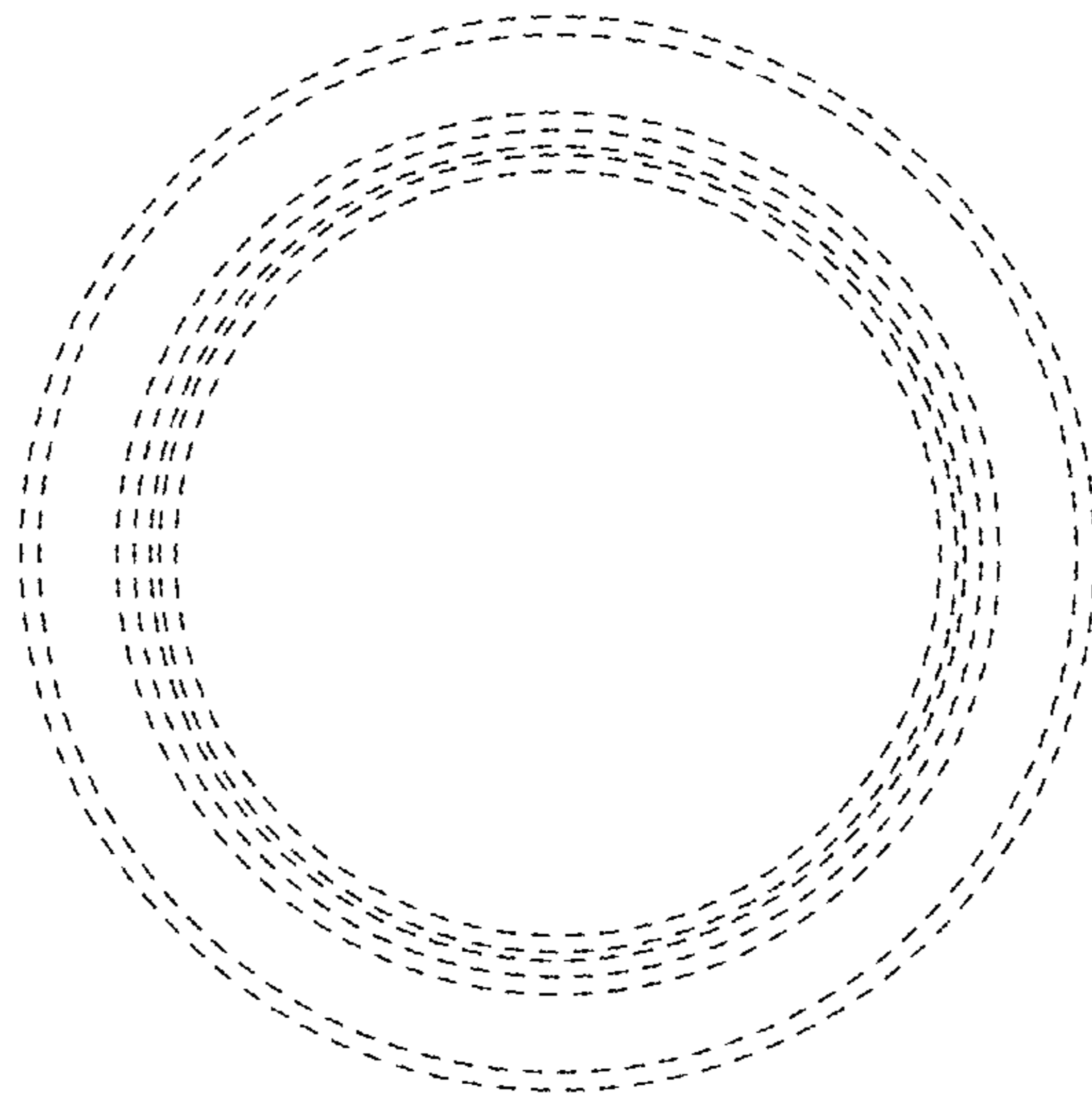


FIG. 6