



US00D770890S

(12) **United States Design Patent**
Heo et al.

(10) **Patent No.:** **US D770,890 S**

(45) **Date of Patent:** **** Nov. 8, 2016**

- (54) **BOX FOR PACKAGE**
- (71) Applicant: **Samsung Electronics Co., Ltd.**,
Suwon-si, Gyeonggi-do (KR)
- (72) Inventors: **DaHee Heo**, Yongin-si (KR); **Joon Taek Lee**, Yongin-si (KR); **Il Kyoung Kim**, Suwon-si (KR)
- (73) Assignee: **SAMSUNG ELECTRONICS CO., LTD.**, Suwon-Si, Gyeonggi-Do (KR)
- (**) Term: **15 Years**

6,105,856	A *	8/2000	Kakiuchi	B65D 5/4291	206/268
D512,304	S *	12/2005	Aldridge	D9/422	
D650,271	S *	12/2011	Cluett	D9/432	
D706,132	S *	6/2014	Sill	D9/432	
D717,166	S *	11/2014	Lee	D9/424	
D722,870	S *	2/2015	Fohner	D9/424	
D741,703	S *	10/2015	Janson	D9/424	
D747,190	S *	1/2016	DeLaGrange	D9/432	
D747,191	S *	1/2016	Nameth	D9/432	
D749,944	S *	2/2016	Kummerfeldt	D9/432	
D758,851	S *	6/2016	Binder	D9/432	
2007/0181458	A1 *	8/2007	Ehrlund	B65D 5/38	206/528
2011/0089799	A1 *	4/2011	Goretti	A47F 5/11	312/348.6

- (21) Appl. No.: **29/531,511**
- (22) Filed: **Jun. 26, 2015**
- (30) **Foreign Application Priority Data**

* cited by examiner

Primary Examiner — Cynthia Underwood
(74) *Attorney, Agent, or Firm* — Ladas & Parry LLP

- Jan. 13, 2015 (KR) 30-2015-0001612
- (51) **LOC (10) Cl.** **09-03**
- (52) **U.S. Cl.**
USPC **D9/432**
- (58) **Field of Classification Search**
USPC D9/430, 414, 432, 524, 516; D7/543,
D7/545, 602
CPC B65D 1/00
See application file for complete search history.

(57) **CLAIM**
We claim the ornamental design for a box for package, as shown and described.

- (56) **References Cited**
U.S. PATENT DOCUMENTS
2,231,726 A * 2/1941 Looke, Jr. B65D 5/38
206/353
2,936,944 A * 5/1960 Moore B65D 5/38
229/125.125
3,395,849 A * 8/1968 Gillam B65D 5/38
229/125.125

DESCRIPTION

FIG. 1 is the front perspective view of a box for package showing our new design;
FIG. 2 is the front view thereof;
FIG. 3 is the rear view thereof;
FIG. 4 is the left-side view thereof;
FIG. 5 is the right-side view thereof;
FIG. 6 is the top plan view thereof; and,
FIG. 7 is the bottom plan view thereof.
The broken lines in the drawings show unclaimed environment only and form no part of the claimed design.

1 Claim, 7 Drawing Sheets

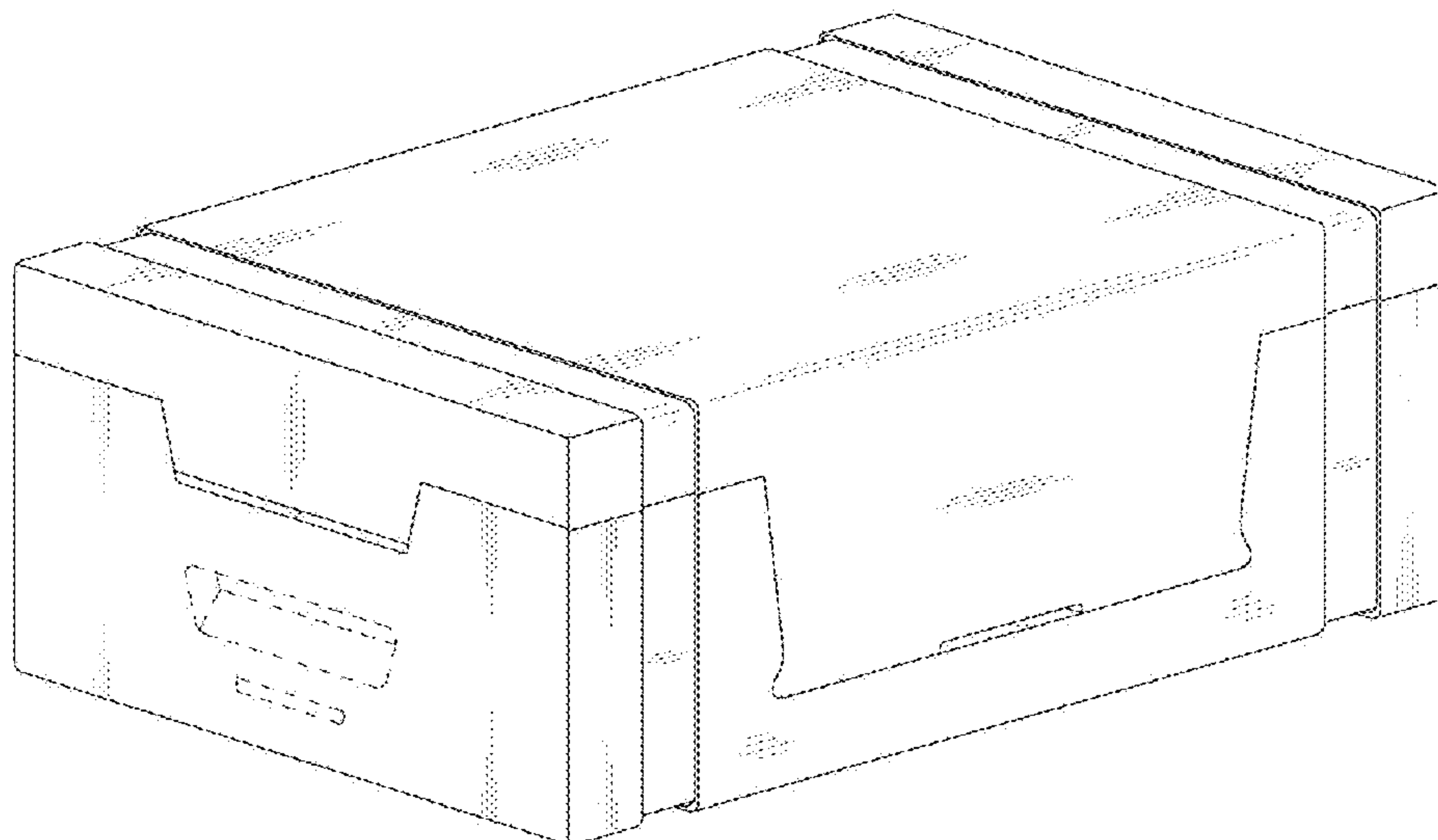


Fig. 1

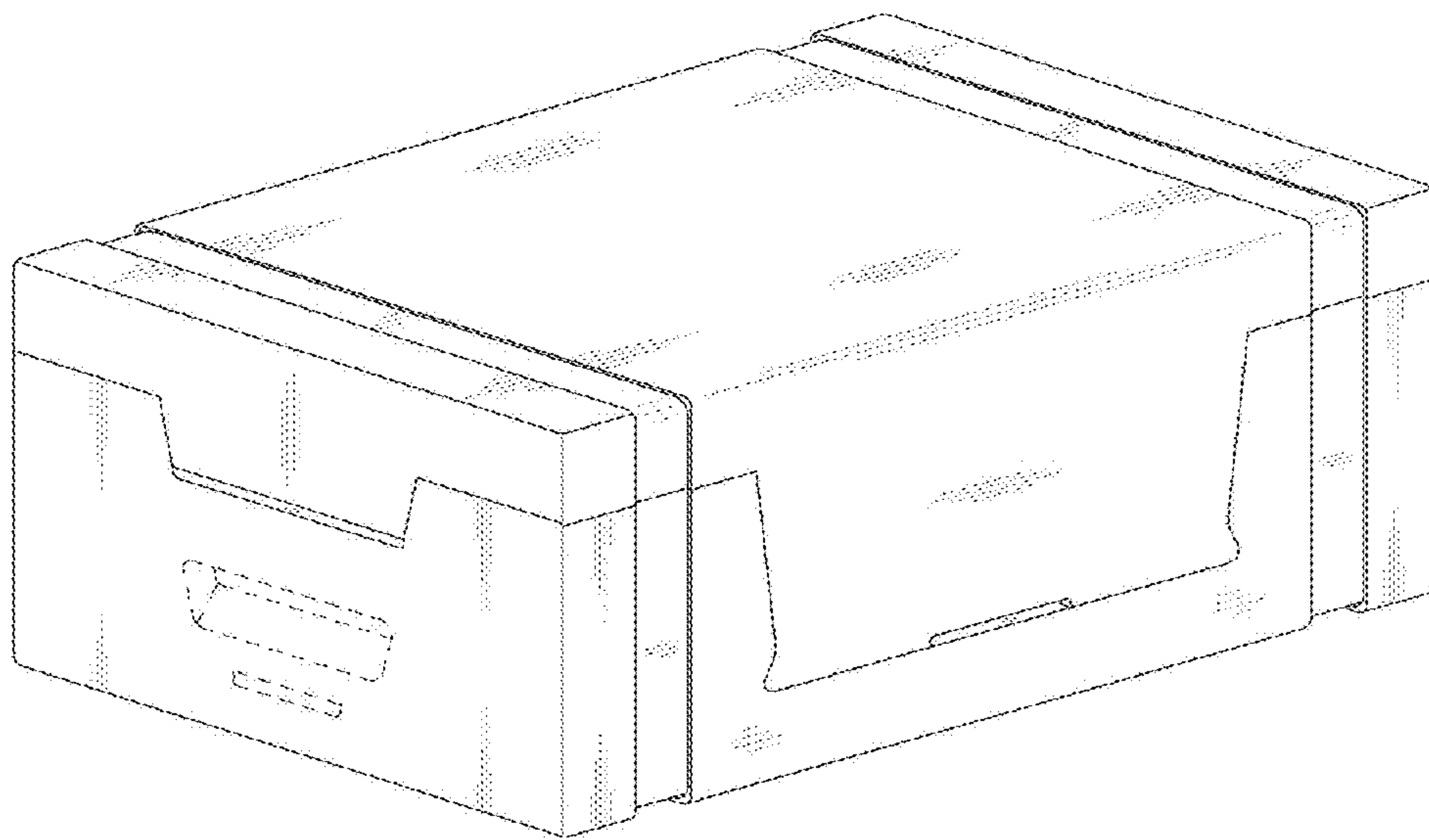


Fig. 2

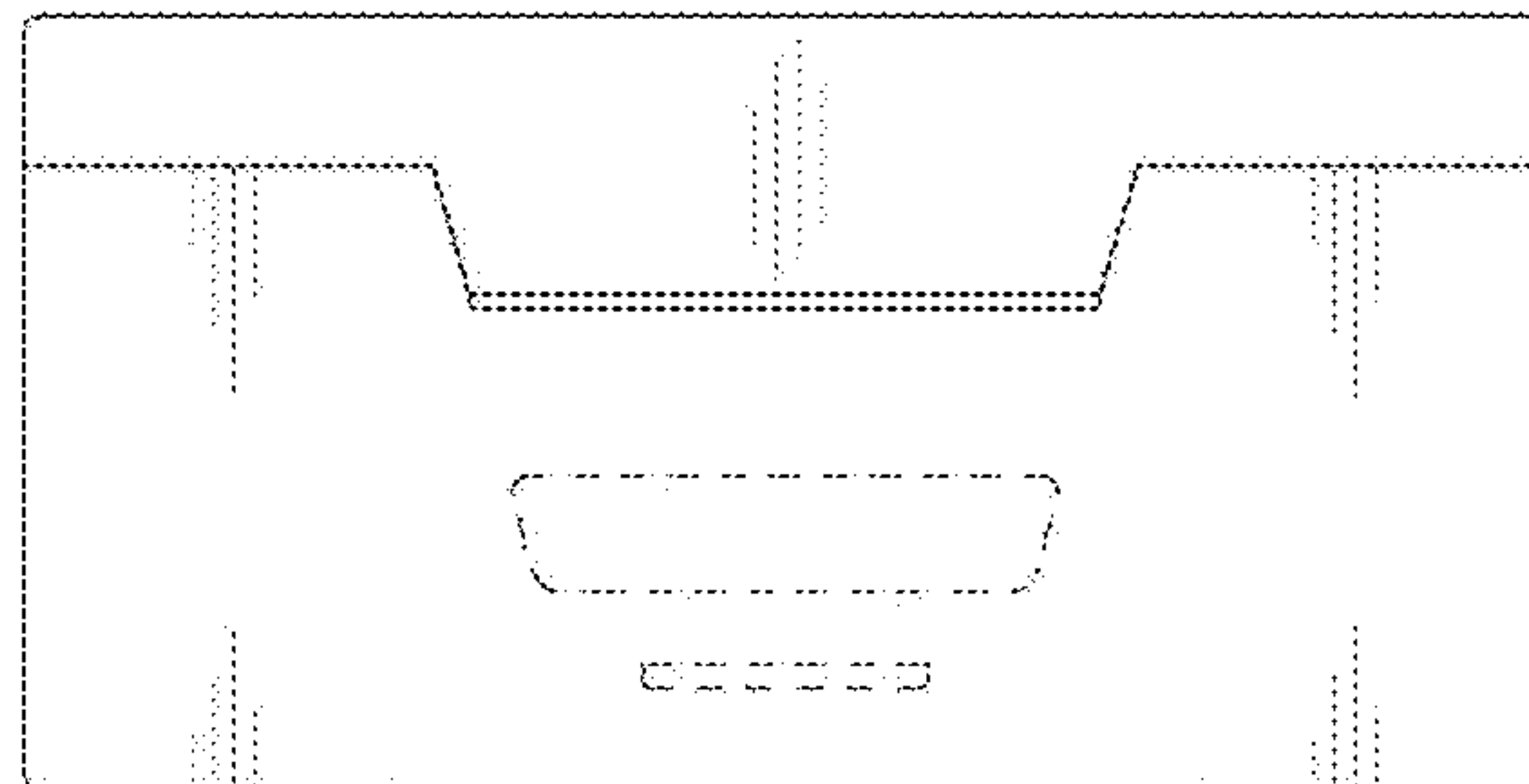


Fig. 3

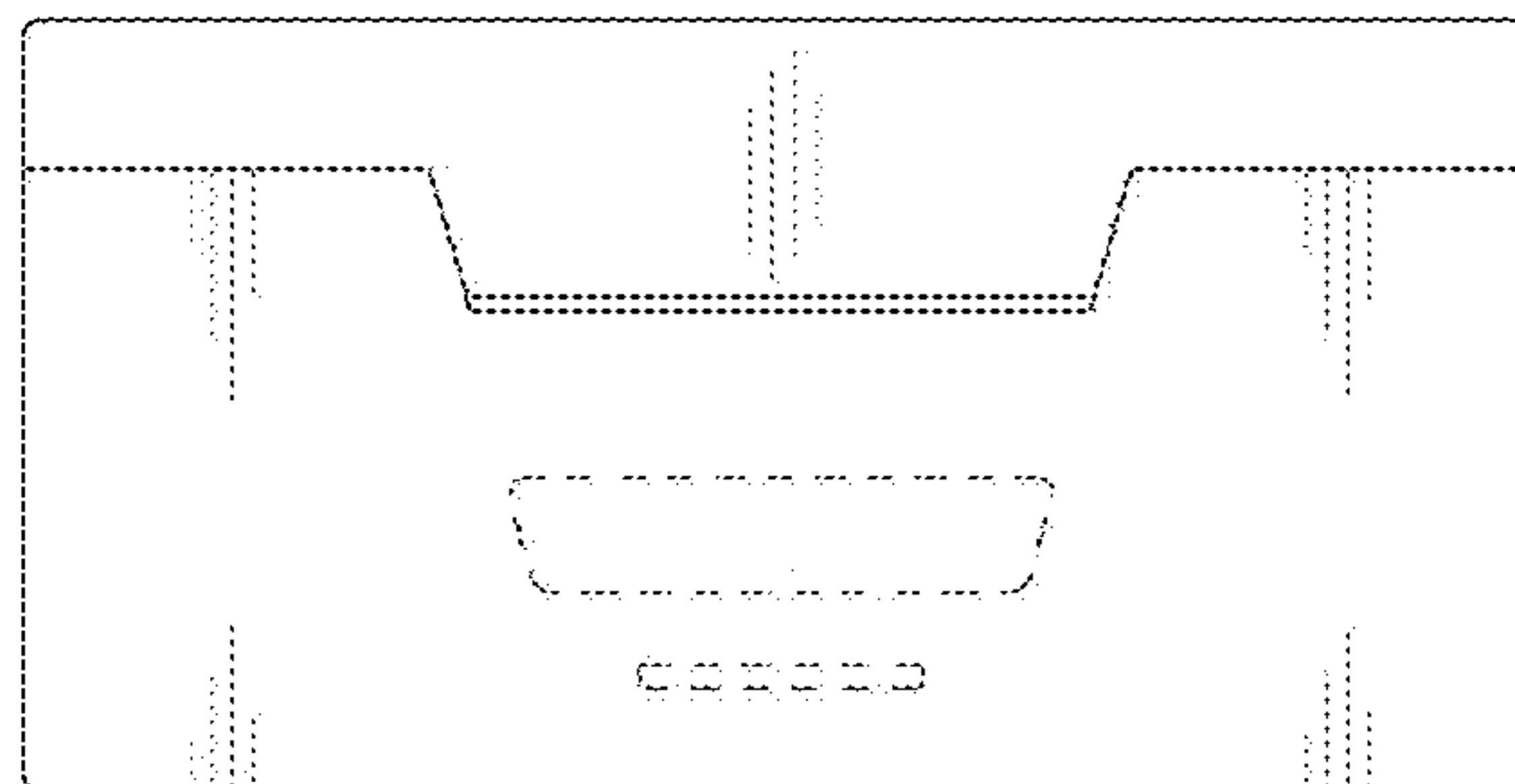


Fig. 4

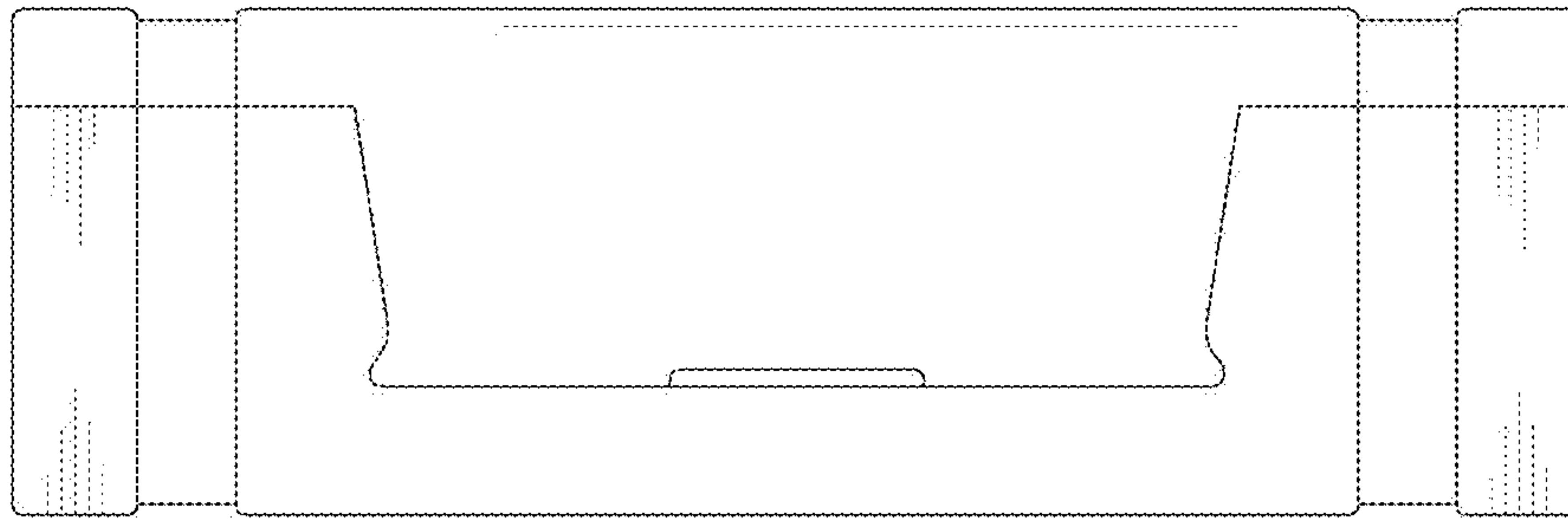


Fig. 5

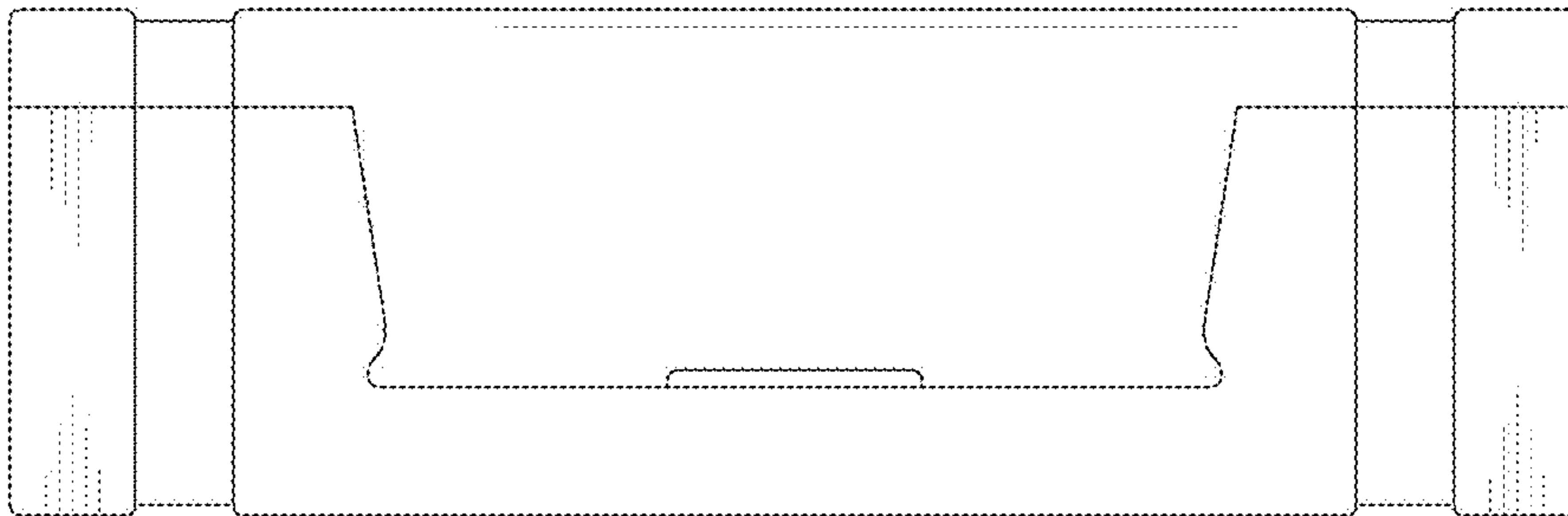


Fig. 6

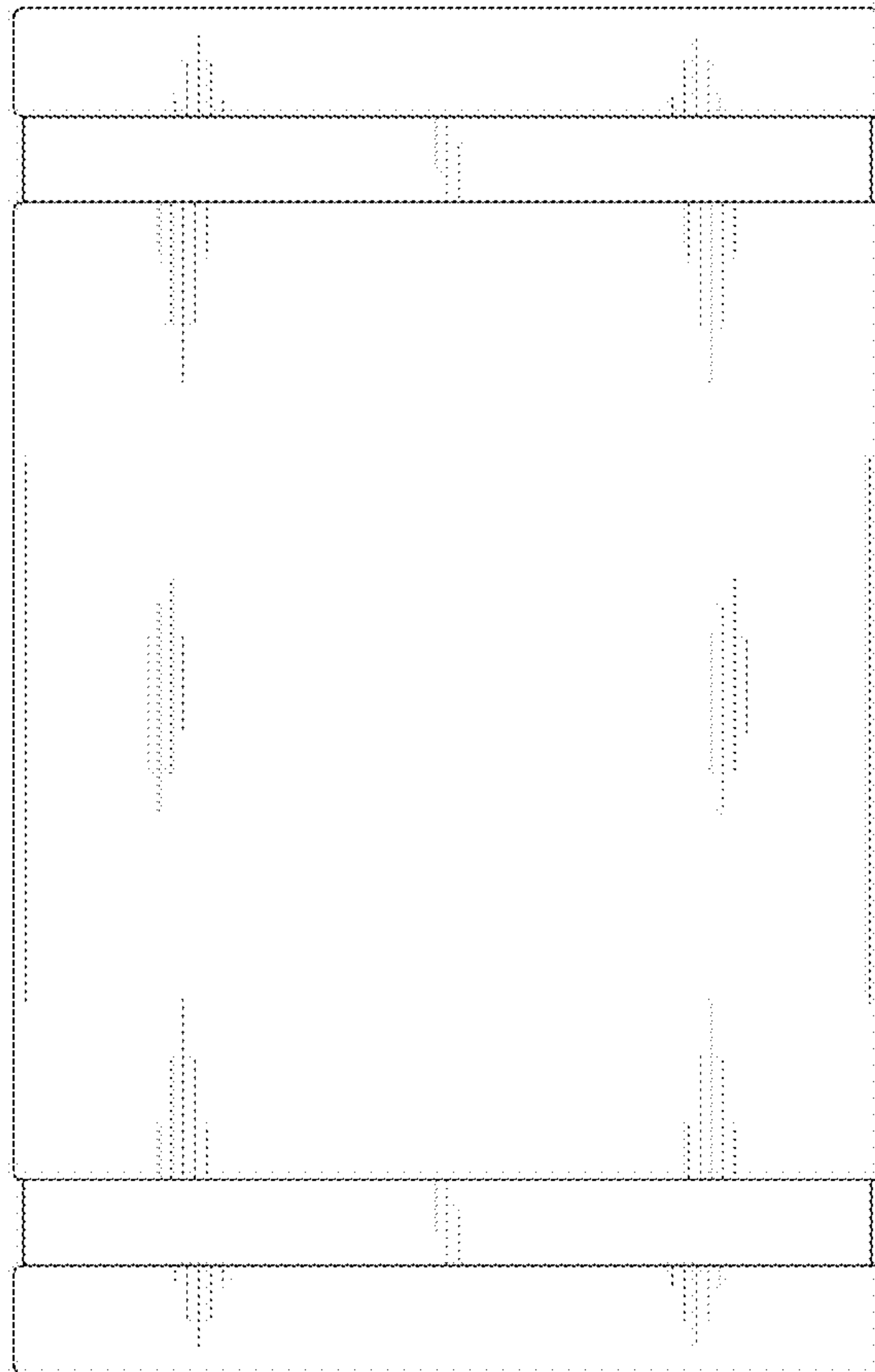


Fig. 7

