



US00D770889S

(12) **United States Design Patent**  
**Waggoner et al.**

(10) **Patent No.:** **US D770,889 S**

(45) **Date of Patent:** **\*\* Nov. 8, 2016**

(54) **BEVERAGE ADDITIVE CARTRIDGE**

(71) Applicant: **Samsara Bottle System, Inc.**, Sarasota, FL (US)

(72) Inventors: **Garrett S. Waggoner**, Sarasota, FL (US); **Andrew Gay**, Mill Creek, WA (US); **Leo Riza**, Sarasota, FL (US); **Erkan Riza**, Sarasota, FL (US)

(73) Assignee: **Cirkul, Inc.**, Sarasota, FL (US)

(\*\*) Term: **14 Years**

(21) Appl. No.: **29/509,949**

(22) Filed: **Nov. 23, 2014**

(51) **LOC (10) Cl.** ..... **09-03**

(52) **U.S. Cl.**  
USPC ..... **D9/428**

(58) **Field of Classification Search**  
USPC ..... D9/424, 300, 516, 572, 573, 434, 454, D9/690, 692, 453, 428, 435; D7/507, 510, D7/511, 523, 532, 608, 619, 700, 400; 222/54.1, 541.5, 541.6, 562, 288, 376; 215/316, 328, 355; 211/74; D23/207, D23/209, 210

CPC ..... A47J 31/005; A47J 31/0668; A47J 31/0673; A47J 31/4485; B65D 85/8043

See application file for complete search history.

(56) **References Cited**

**U.S. PATENT DOCUMENTS**

- D132,610 S \* 6/1942 Zuckermann ..... D23/209
- D204,712 S \* 5/1966 Shelby ..... D9/428
- D205,650 S \* 8/1966 King ..... D23/207
- D224,401 S \* 7/1972 Fujita ..... D23/207
- D230,387 S \* 2/1974 Doman et al. .... D7/531
- D233,886 S \* 12/1974 Hansrote ..... D23/207
- D240,531 S \* 7/1976 Elkington ..... D23/207
- D258,311 S \* 2/1981 Peterson ..... D24/121
- D262,680 S \* 1/1982 Lack ..... D7/523
- D262,765 S \* 1/1982 Lack ..... D7/523
- D284,555 S \* 7/1986 Schornagel ..... D9/453
- D308,092 S \* 5/1990 Geneve ..... D23/209

- D312,862 S \* 12/1990 Klein ..... D23/209
- D315,779 S \* 3/1991 Strand ..... D23/209
- D342,866 S \* 1/1994 Lee ..... D7/608
- D354,795 S \* 1/1995 Heligman ..... D23/209
- D364,088 S \* 11/1995 Robbins, III ..... D7/540

(Continued)

**OTHER PUBLICATIONS**

Brita Water Filters, available Mar. 8, 2007, [online], [site visited Jan. 6, 2016]. Available from internet, <URL: [http://www.amazon.com/Brita-Filter-Pitcher-Replacement-Filters/dp/B0000CF98Q/ref=pd\\_sim\\_79\\_4?ie=UTF8&dpID=41vYWuZWUwL&dpSrc=sims&preST=\\_AC\\_UL160\\_SR160%2C160\\_&refRID=0SZZR3MDXBPPFNE7SYW4](http://www.amazon.com/Brita-Filter-Pitcher-Replacement-Filters/dp/B0000CF98Q/ref=pd_sim_79_4?ie=UTF8&dpID=41vYWuZWUwL&dpSrc=sims&preST=_AC_UL160_SR160%2C160_&refRID=0SZZR3MDXBPPFNE7SYW4)>.

*Primary Examiner* — Cathron Brooks

*Assistant Examiner* — Teddy Falloway

(74) *Attorney, Agent, or Firm* — John F. Rollins

(57) **CLAIM**

The ornamental design for a beverage additive cartridge, as shown and described.

**DESCRIPTION**

FIG. 1 is a perspective view of a beverage additive cartridge showing our new design;

FIG. 2 is a front view of the beverage additive cartridge of FIG. 1;

FIG. 3 is a rear view of the beverage additive cartridge of FIG. 1;

FIG. 4 is a left view of the beverage additive cartridge of FIG. 1;

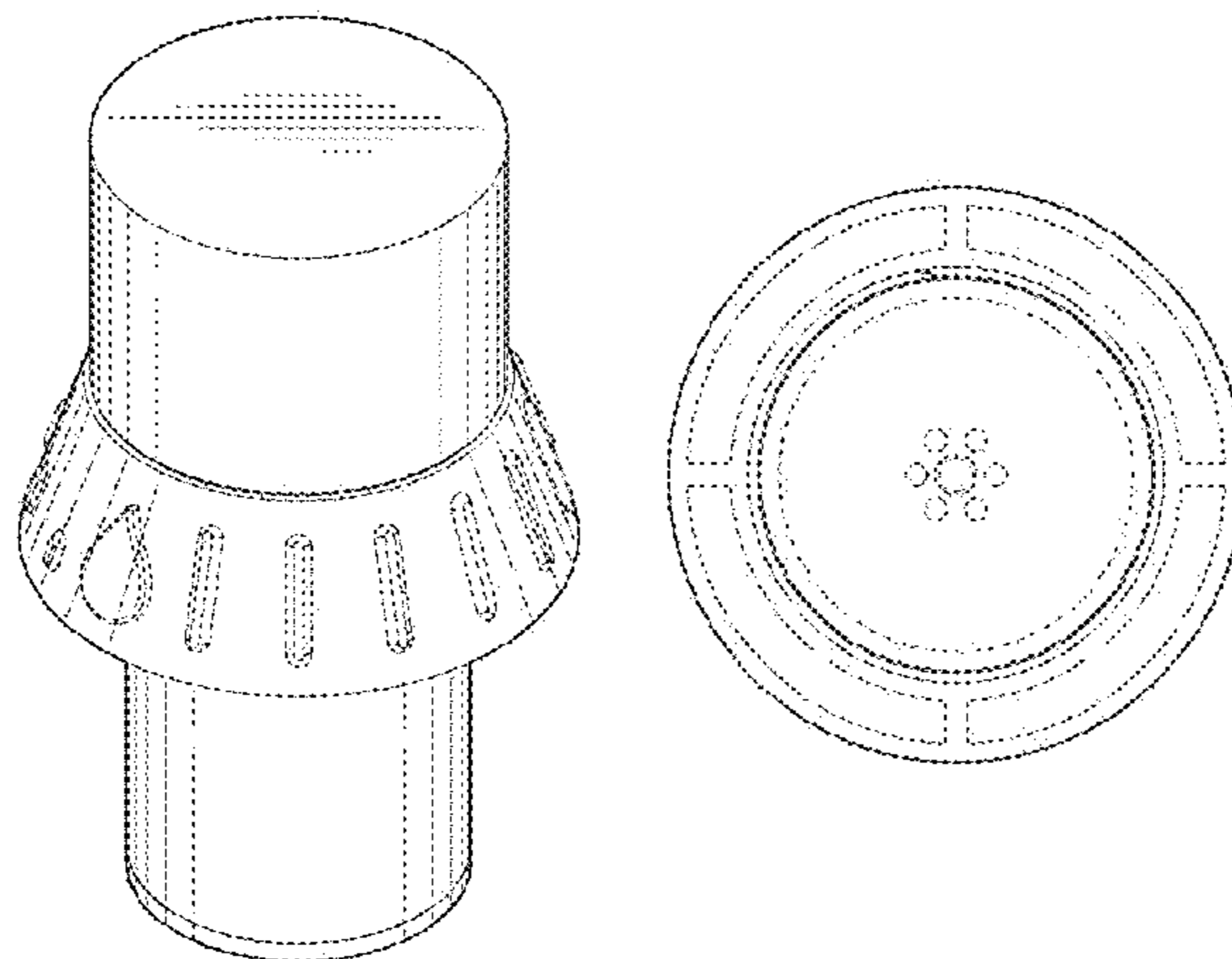
FIG. 5 is a right side view of the beverage additive cartridge of FIG. 1;

FIG. 6 is a top view of the beverage additive cartridge of FIG. 1; and,

FIG. 7 is a bottom view of the beverage additive cartridge of FIG. 1.

The broken lines shown are included for the purpose of illustrating portions of the beverage additive cartridge that form no part of the claimed design.

**1 Claim, 4 Drawing Sheets**



(56)

References Cited

U.S. PATENT DOCUMENTS

D364,089 S \* 11/1995 Robbins, III ..... D9/428  
 D370,711 S \* 6/1996 Serenko ..... D23/209  
 D381,911 S \* 8/1997 Lathrop ..... D9/453  
 D382,482 S \* 8/1997 Lathrop ..... D9/453  
 D403,555 S \* 1/1999 Burns ..... D7/509  
 D443,820 S \* 6/2001 Crawford ..... D9/439  
 D444,065 S \* 6/2001 Crawford ..... D9/439  
 D449,783 S \* 10/2001 Crawford ..... D9/439  
 D449,784 S \* 10/2001 Crawford ..... D9/453  
 D466,401 S \* 12/2002 Cohen ..... D9/504  
 D469,165 S \* 1/2003 Lim ..... D23/254  
 D485,123 S \* 1/2004 Gullickson ..... D7/510  
 D500,936 S \* 1/2005 Nikkhah ..... D7/510  
 D502,531 S \* 3/2005 Liu ..... D23/209  
 D537,344 S \* 2/2007 O'Brien ..... D9/516

D546,178 S \* 7/2007 McClain ..... D9/435  
 D557,605 S \* 12/2007 Reber, II ..... D9/453  
 D557,685 S \* 12/2007 Lee ..... D14/205  
 D573,460 S \* 7/2008 Kawaguchi ..... D9/434  
 D583,058 S \* 12/2008 Short ..... D24/162  
 D644,713 S \* 9/2011 Walton ..... D23/209  
 D645,340 S \* 9/2011 Menard ..... D9/428  
 D656,816 S \* 4/2012 Glaser ..... D9/424  
 D660,161 S \* 5/2012 Braun ..... D9/516  
 D692,773 S \* 11/2013 Kim ..... D9/690  
 D698,496 S \* 1/2014 Smith ..... D28/76  
 D705,070 S \* 5/2014 Zheng ..... D9/523  
 D746,676 S \* 1/2016 Raphaelson ..... D9/428  
 2008/0156196 A1 \* 7/2008 Doglioni Majer .. A47J 31/0673  
 99/295  
 2014/0230659 A1 \* 8/2014 Waggoner ..... A47J 31/005  
 99/323

\* cited by examiner

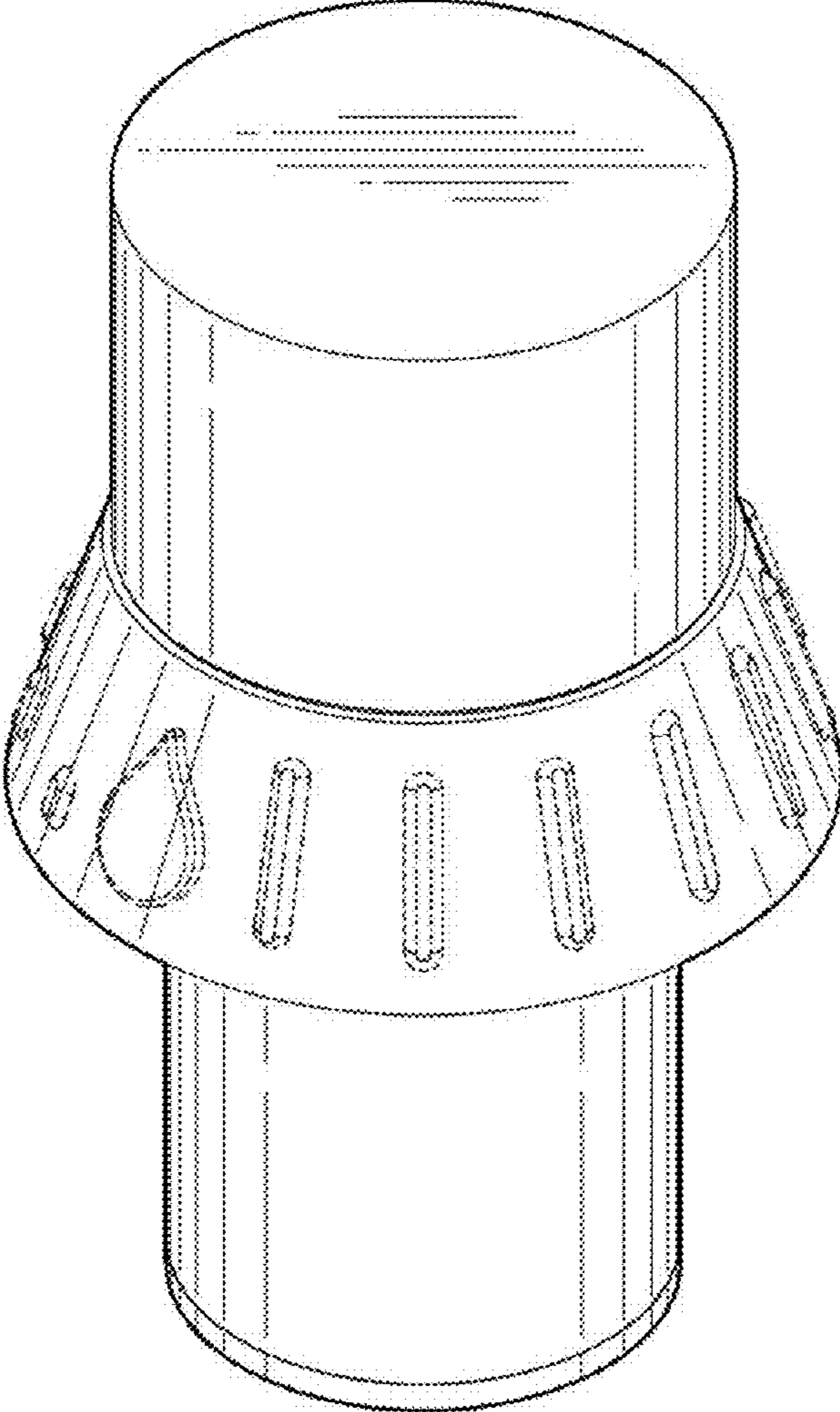


FIG. 1

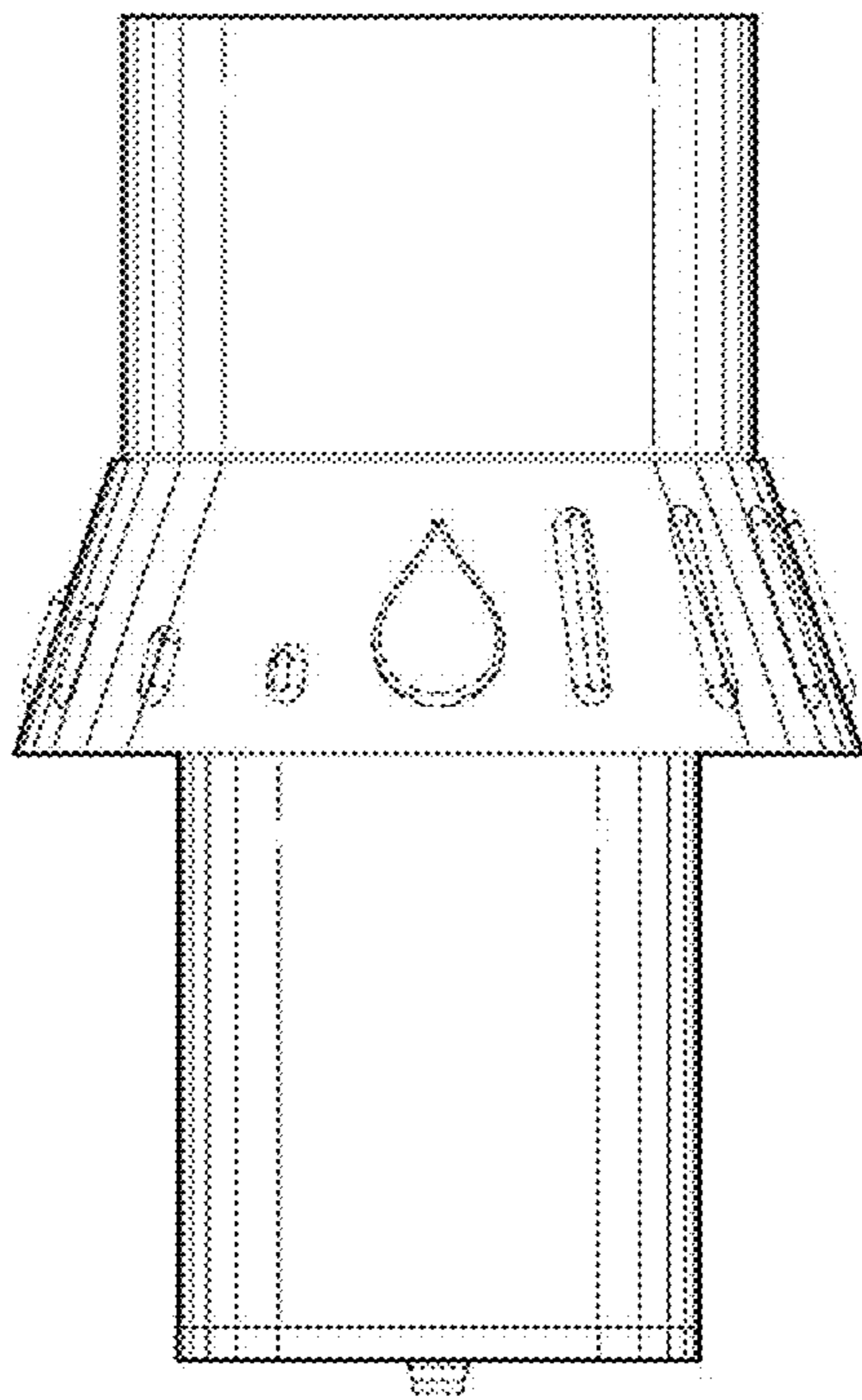


FIG. 2

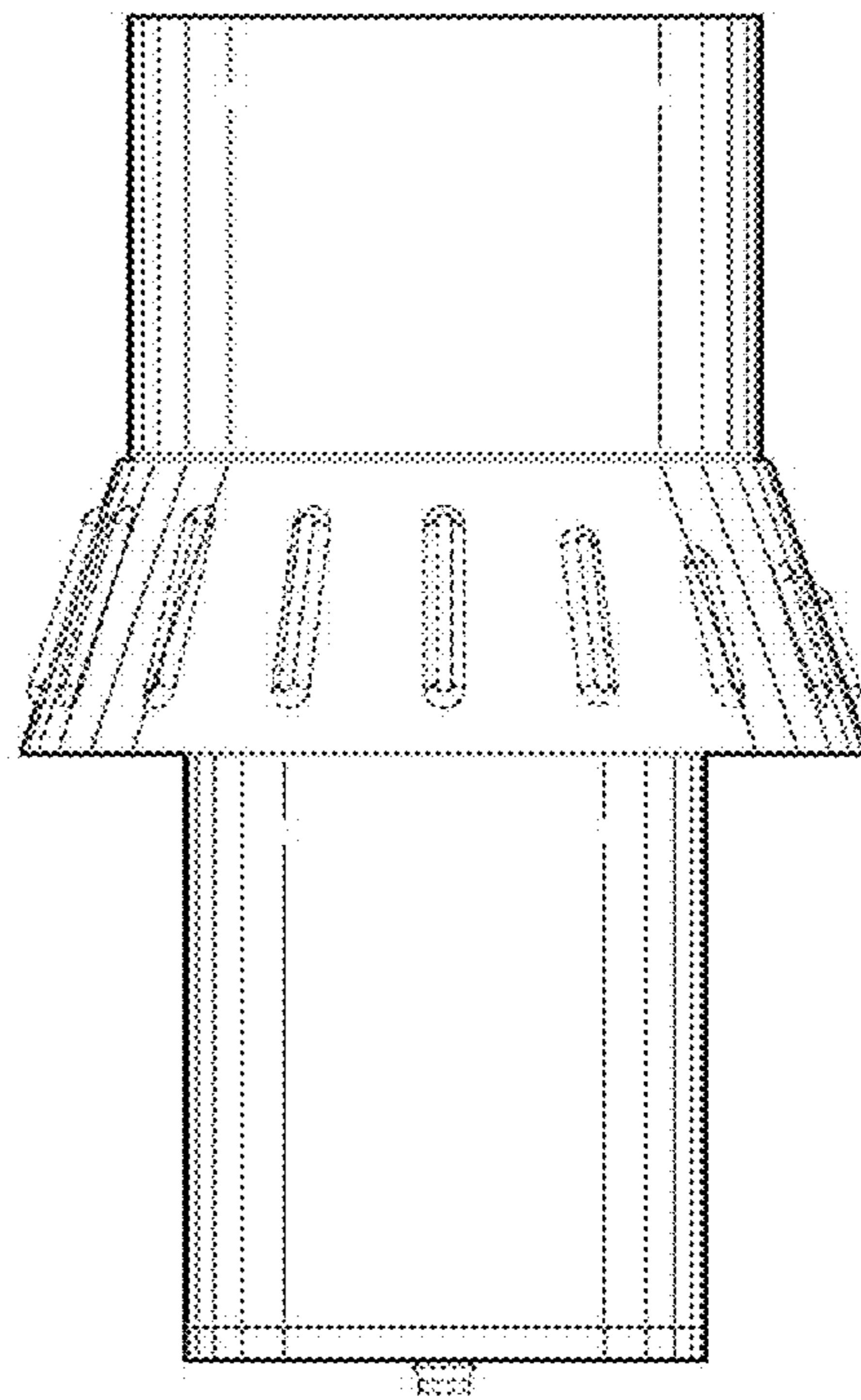


FIG. 3



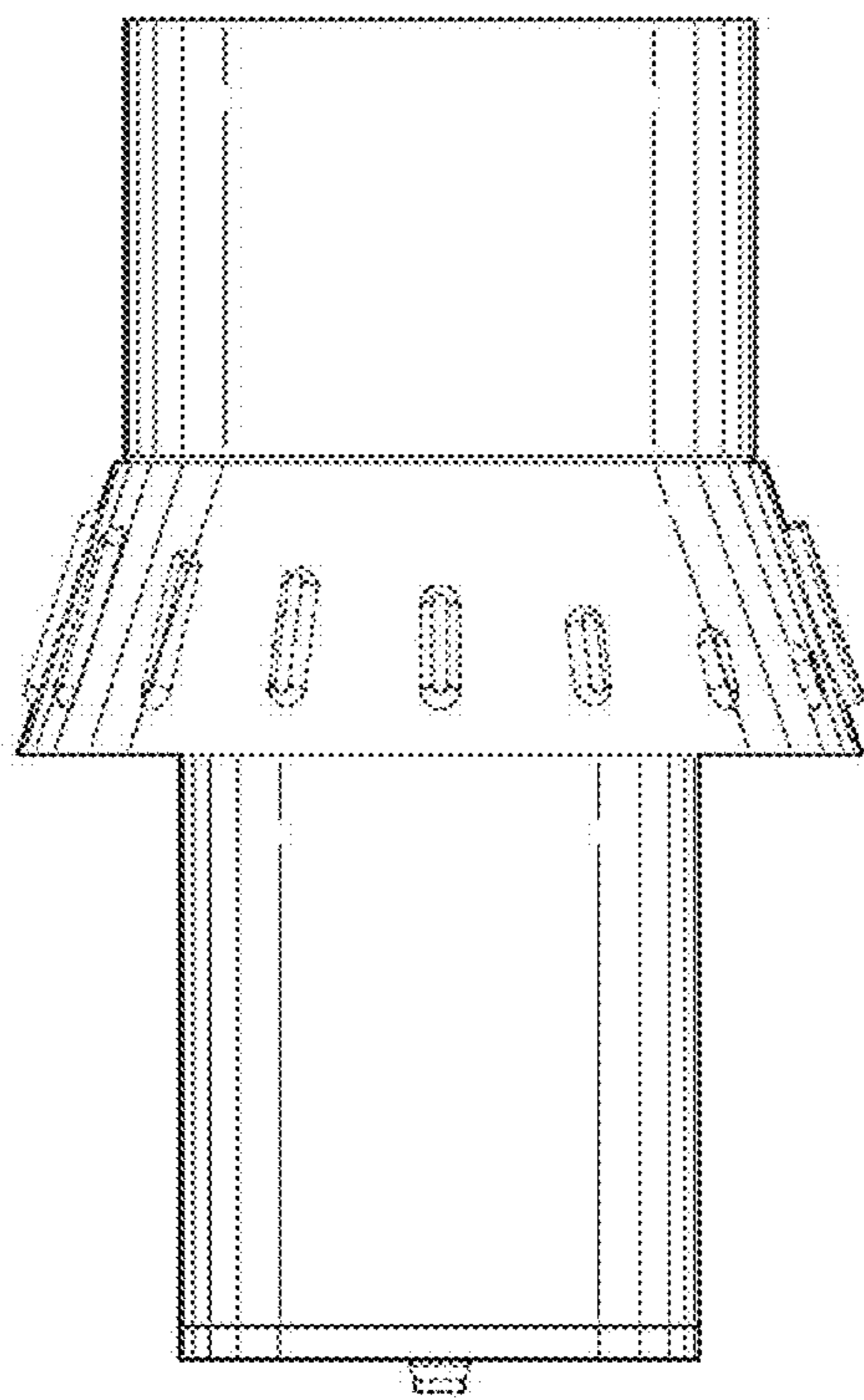


FIG. 4

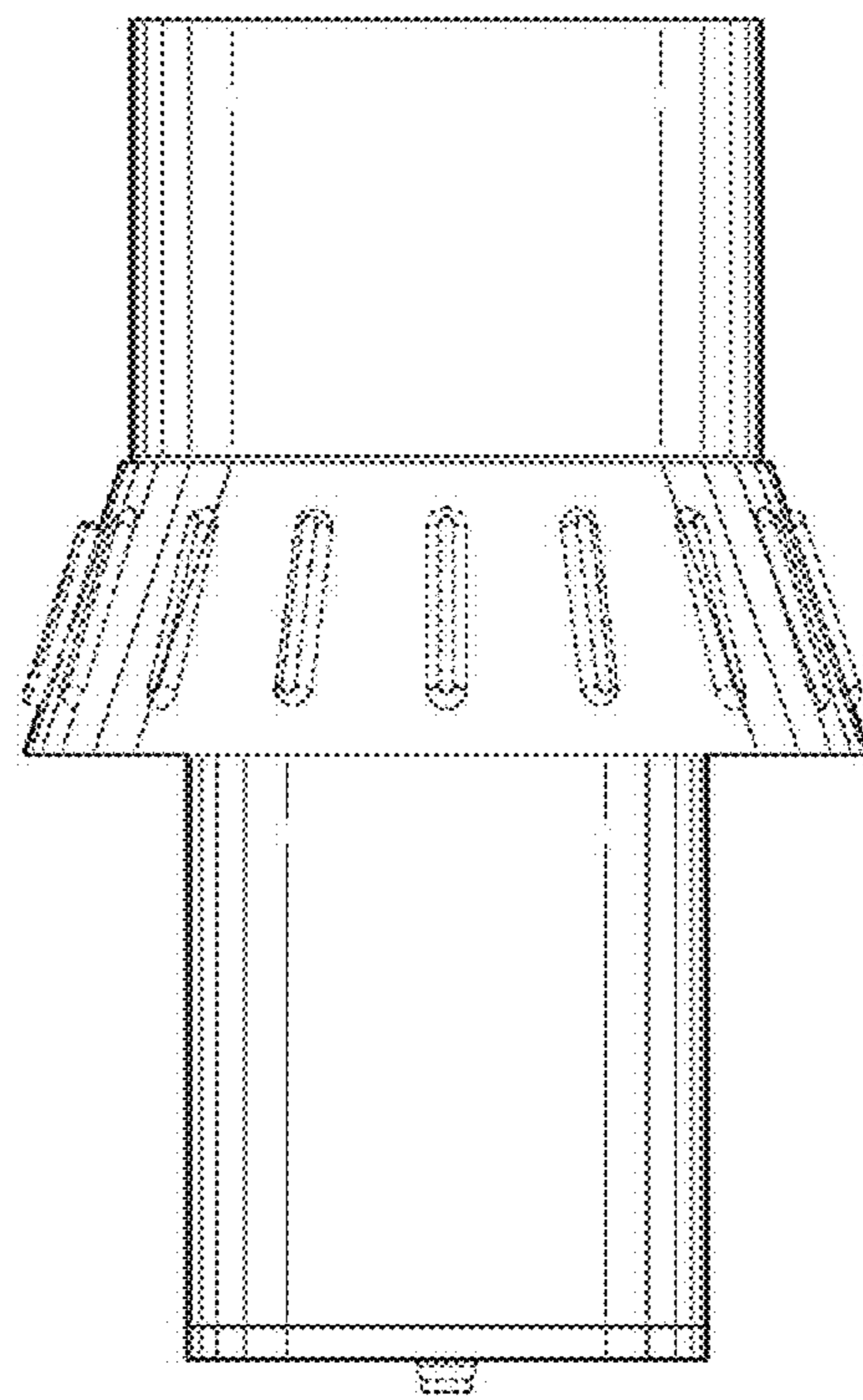


FIG. 5

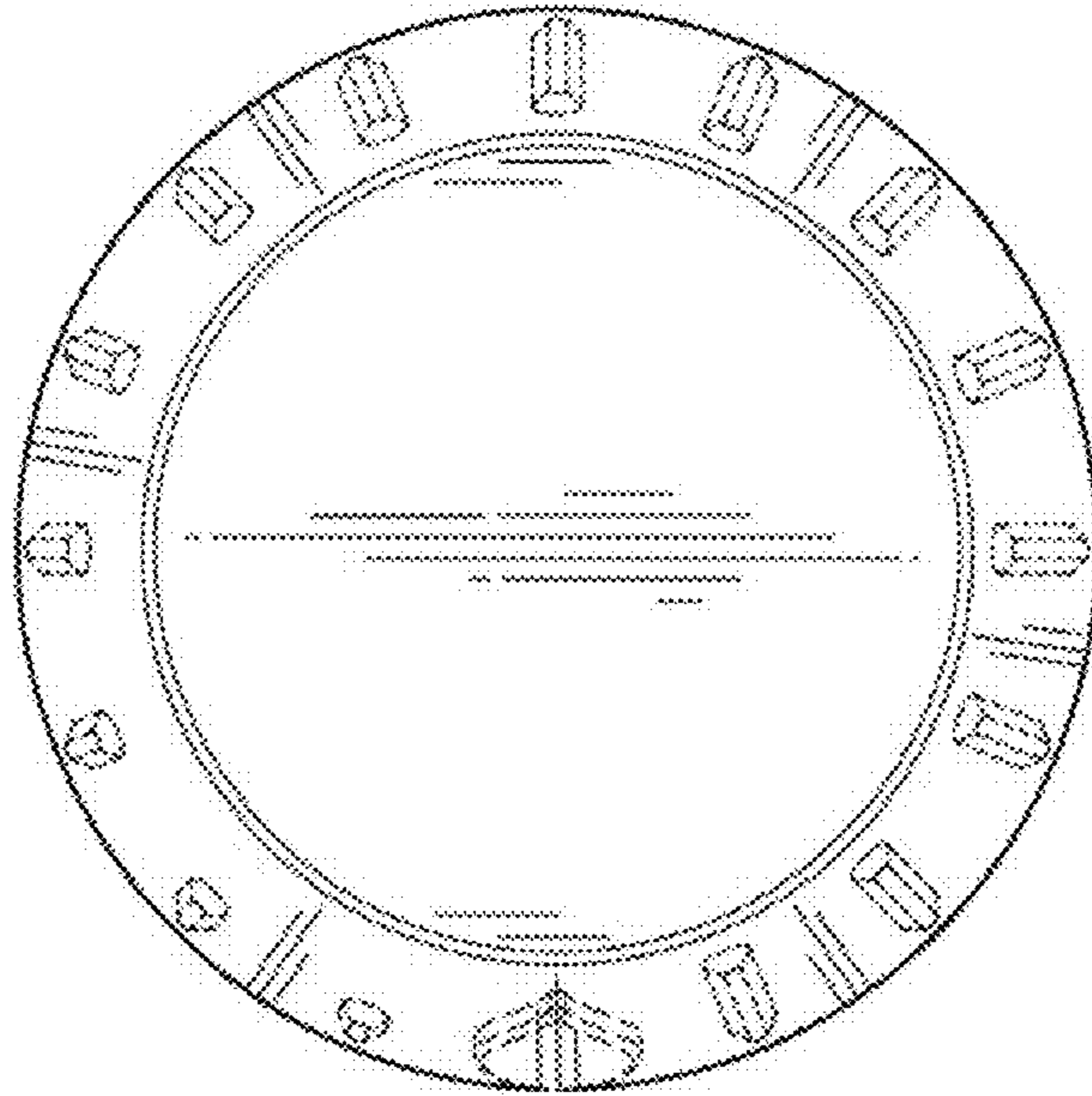


FIG. 6

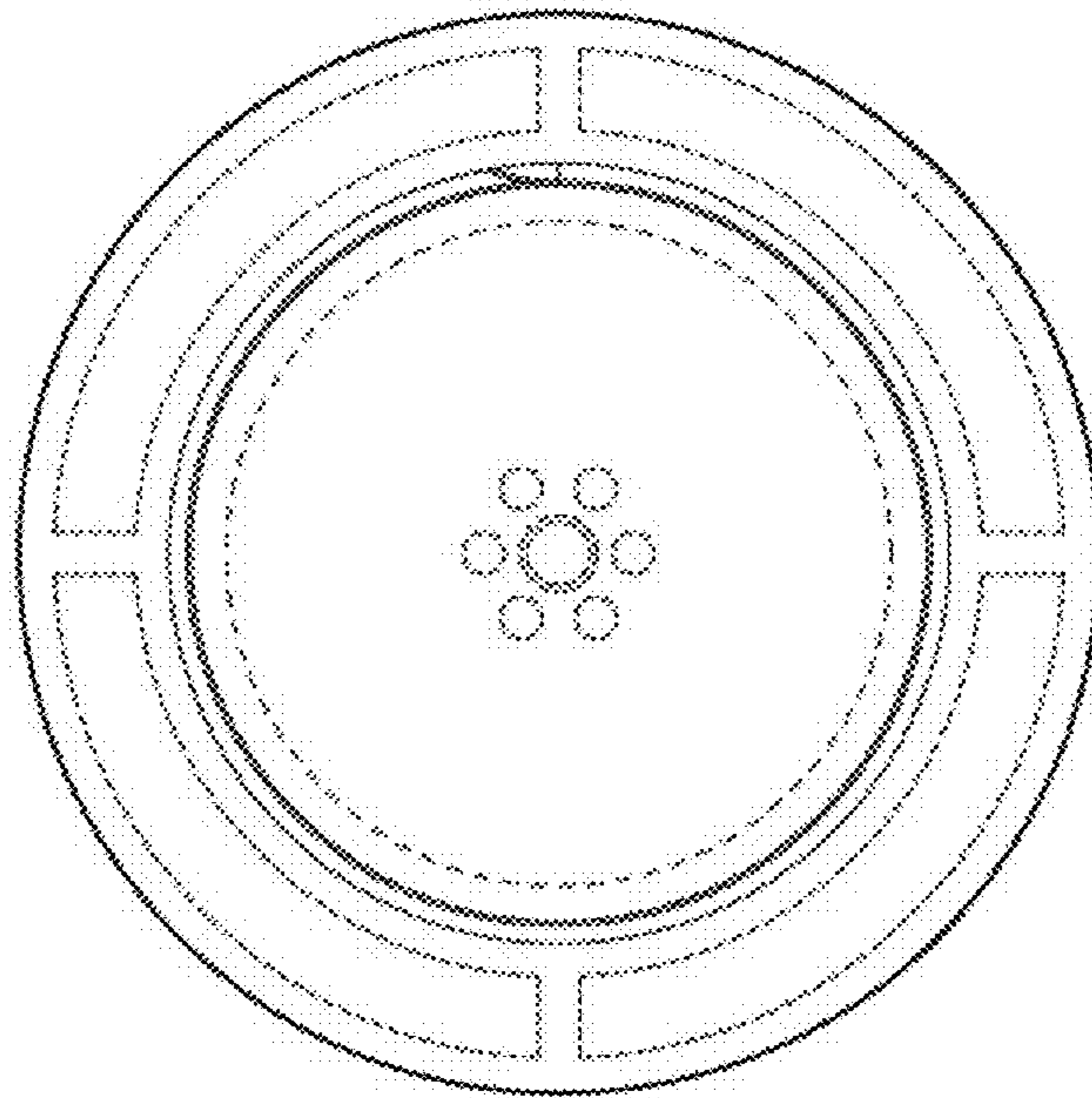


FIG. 7