

US00D770887S

(12) **United States Design Patent** (10) **Patent No.:** **US D770,887 S**  
**Sudol et al.** (45) **Date of Patent:** **\*\* Nov. 8, 2016**

- (54) **RETENTION CLIP**
- (71) Applicants: **George Sudol**, Kenvil, NJ (US);  
**Michael Hollis**, Flanders, NJ (US);  
**Peter Strong**, Morristown, NJ (US)
- (72) Inventors: **George Sudol**, Kenvil, NJ (US);  
**Michael Hollis**, Flanders, NJ (US);  
**Peter Strong**, Morristown, NJ (US)
- (73) Assignee: **The United States of America as**  
**Represented by the Secretary of the**  
**Army**, Washington, DC (US)
- (\*\*) Term: **14 Years**
- (21) Appl. No.: **29/489,176**
- (22) Filed: **Apr. 28, 2014**
- (51) **LOC (10) Cl.** ..... **08-08**
- (52) **U.S. Cl.**  
USPC ..... **D8/395**; D8/396
- (58) **Field of Classification Search**  
USPC ..... D8/394-396, 72; D19/56, 65;  
D32/60-64; D28/40; 24/67.3  
CPC ..... D06F 55/00; A44D 2203/00; A61B  
17/0664; A61B 17/04; A61B 17/1265;  
A43D 79/00; A41B 3/08; A41F 15/02;  
A62F 2/0063  
See application file for complete search history.

6,457,218	B1 *	10/2002	Lawrence	.....	B42F 1/10 24/3.12
D470,937	S *	2/2003	Gary	.....	D24/138
D478,630	S *	8/2003	Riggins	.....	D19/78
D485,162	S *	1/2004	Wadsworth	.....	D34/10
D551,713	S *	9/2007	Schmidt	.....	D19/189
D552,463	S *	10/2007	French	.....	D8/395
D566,539	S *	4/2008	Hicks	.....	D8/395
D584,599	S *	1/2009	Chavez	.....	D8/356
D597,827	S *	8/2009	Brassard	.....	D8/395
D606,848	S *	12/2009	Jimenez	.....	D8/395
D609,558	S *	2/2010	Pilarski	.....	D8/395
D644,504	S *	9/2011	Rieder	.....	D8/395
D663,357	S *	7/2012	Bookhamer	.....	D19/81
D671,826	S *	12/2012	Adams, IV	.....	D8/395
D686,910	S *	7/2013	Towell, Jr.	.....	D8/395
D695,098	S *	12/2013	Hobson	.....	D8/395
D704,542	S *	5/2014	Sudell	.....	D8/356
D759,474	S *	6/2016	Pittman	.....	D8/395
2010/0254123	A1 *	10/2010	Brown	.....	A42B 1/24 362/191

\* cited by examiner

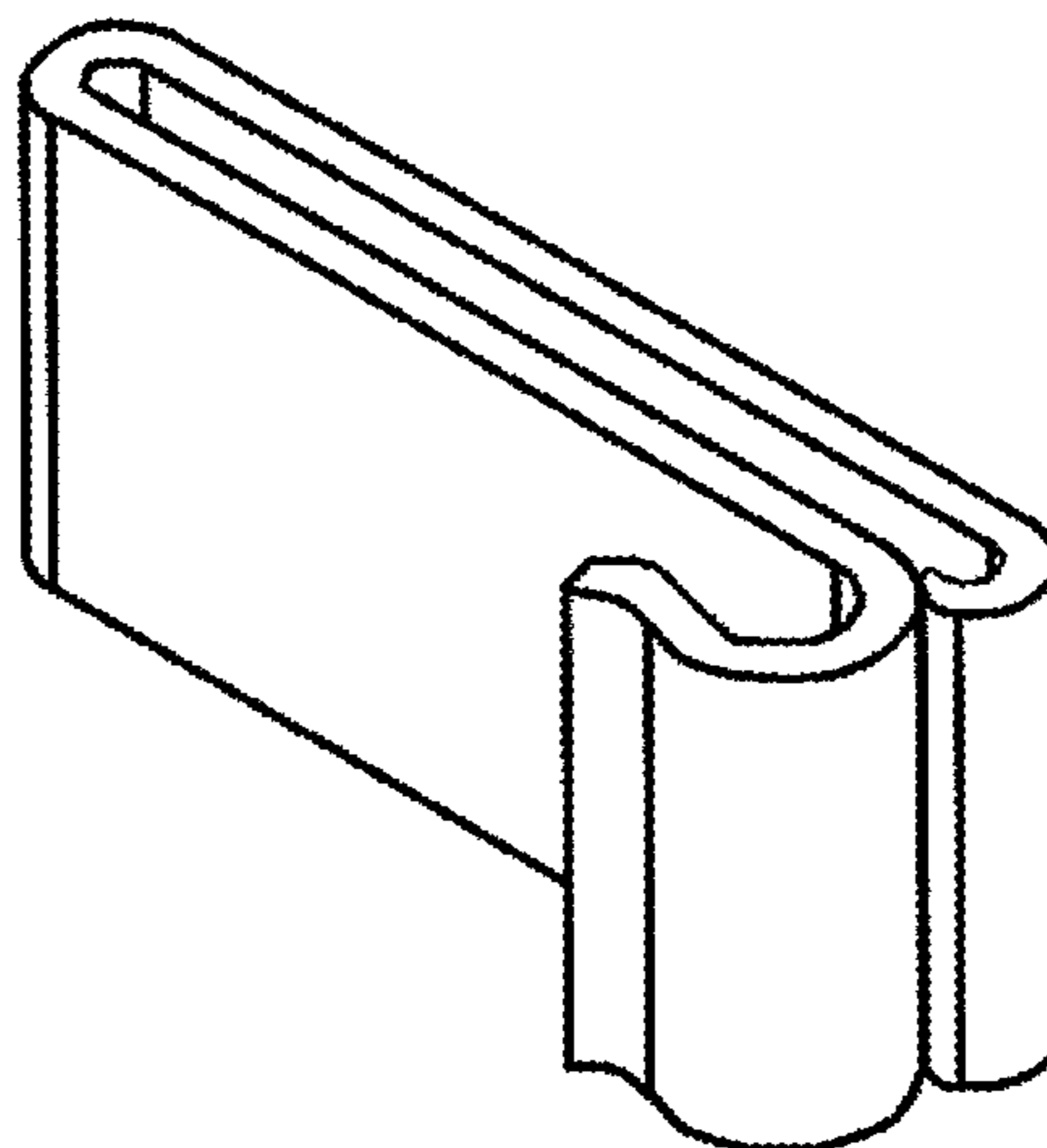
*Primary Examiner* — John Windmuller  
(74) *Attorney, Agent, or Firm* — Henry S. Goldfine

(57) **CLAIM**  
The ornamental design for a retention clip, as shown and described herein.

**DESCRIPTION**

The invention described and claimed herein may be manufactured, used, and licensed by or for the U.S. Government for U.S. Government purposes.  
FIG. 1 is a perspective view of a retention clip of our new design;  
FIG. 2 is a forward view thereof;  
FIG. 3 is a top view thereof, the bottom view (180 degrees opposed thereto) is a mirror image thereof;  
FIG. 4 is a left side view thereof;  
FIG. 5 is a right side view thereof; and,  
FIG. 6 is a back view thereof.

**1 Claim, 3 Drawing Sheets**



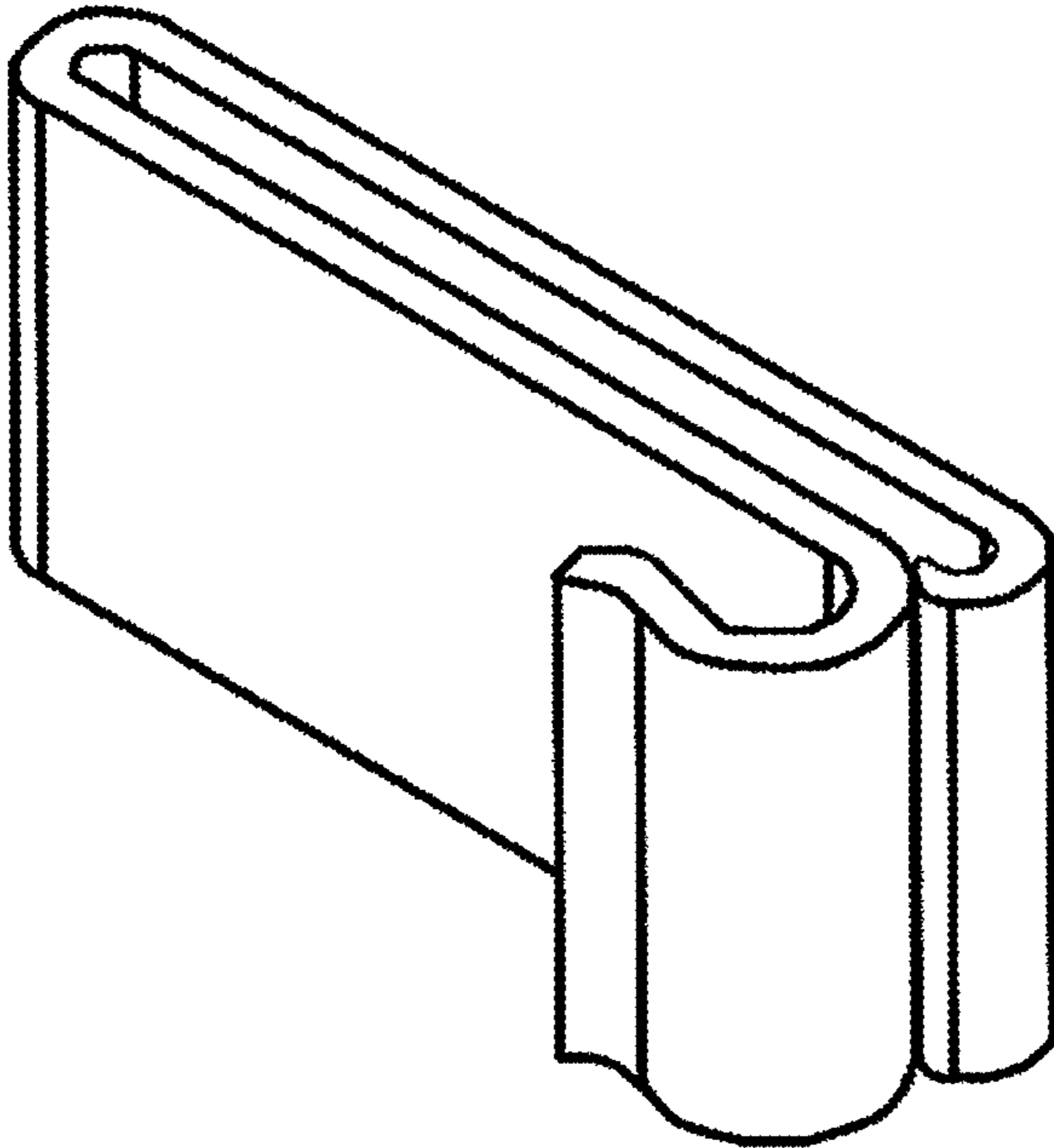


Fig. 1

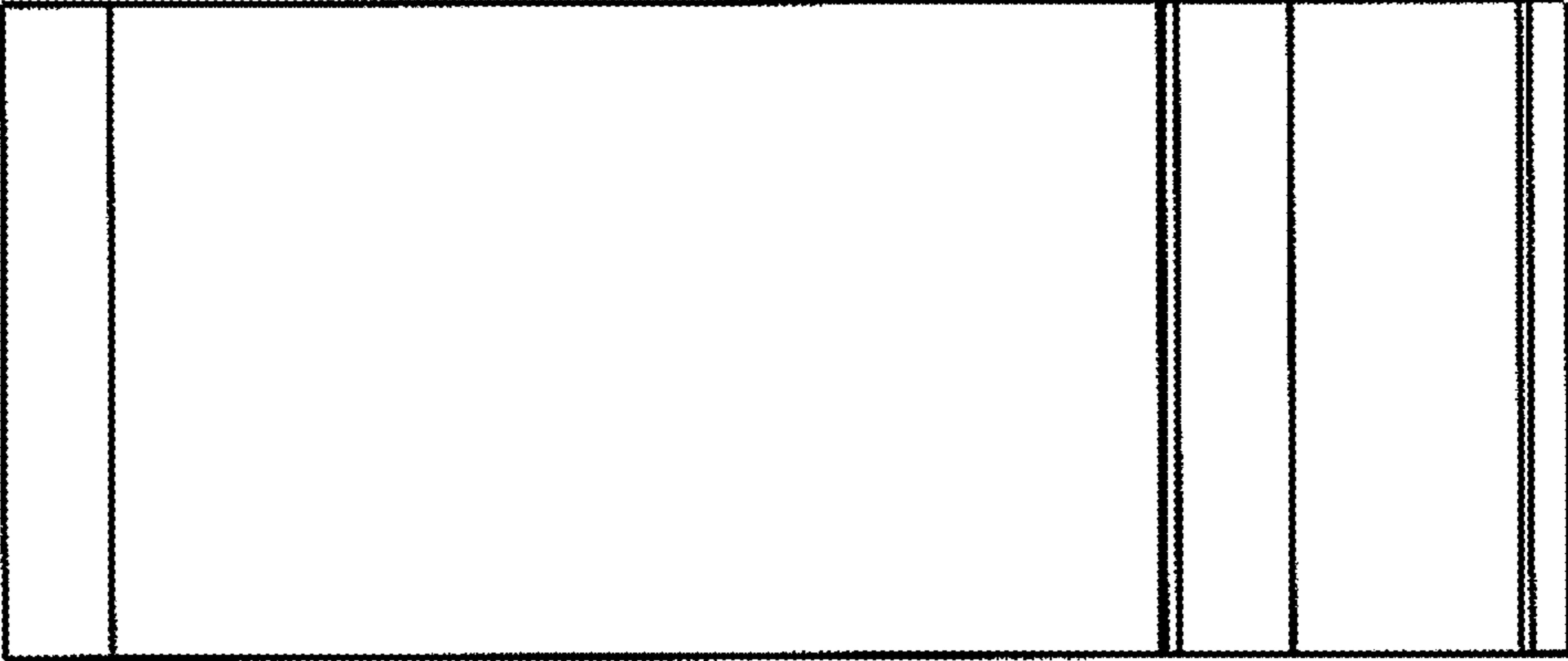


Fig. 2

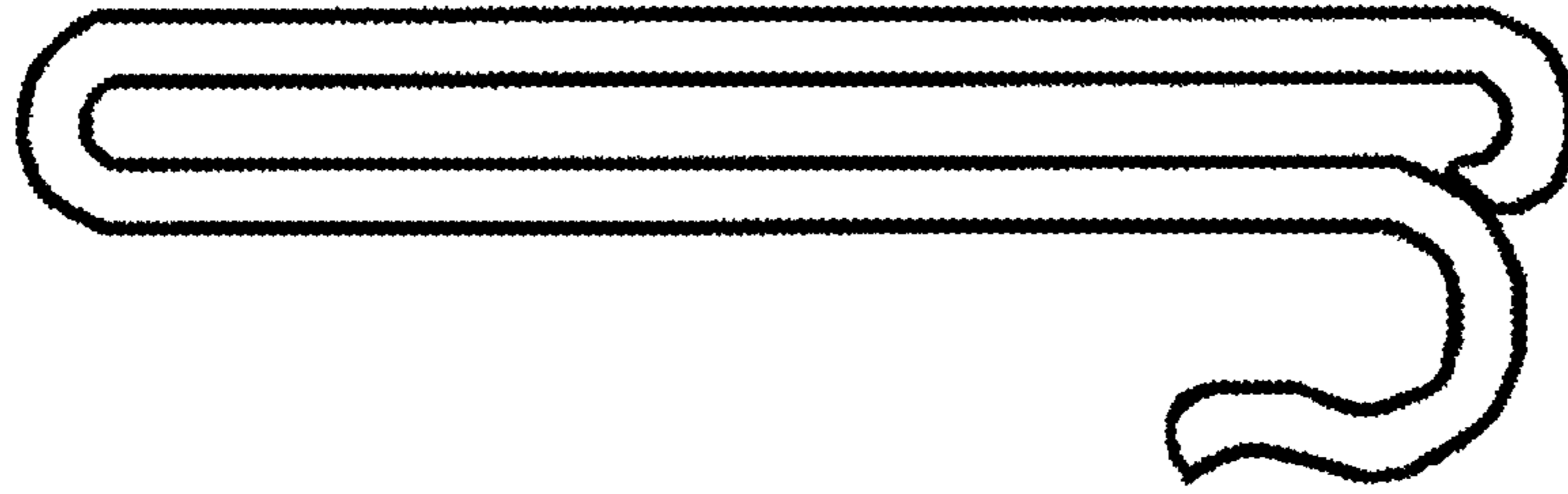


Fig. 3

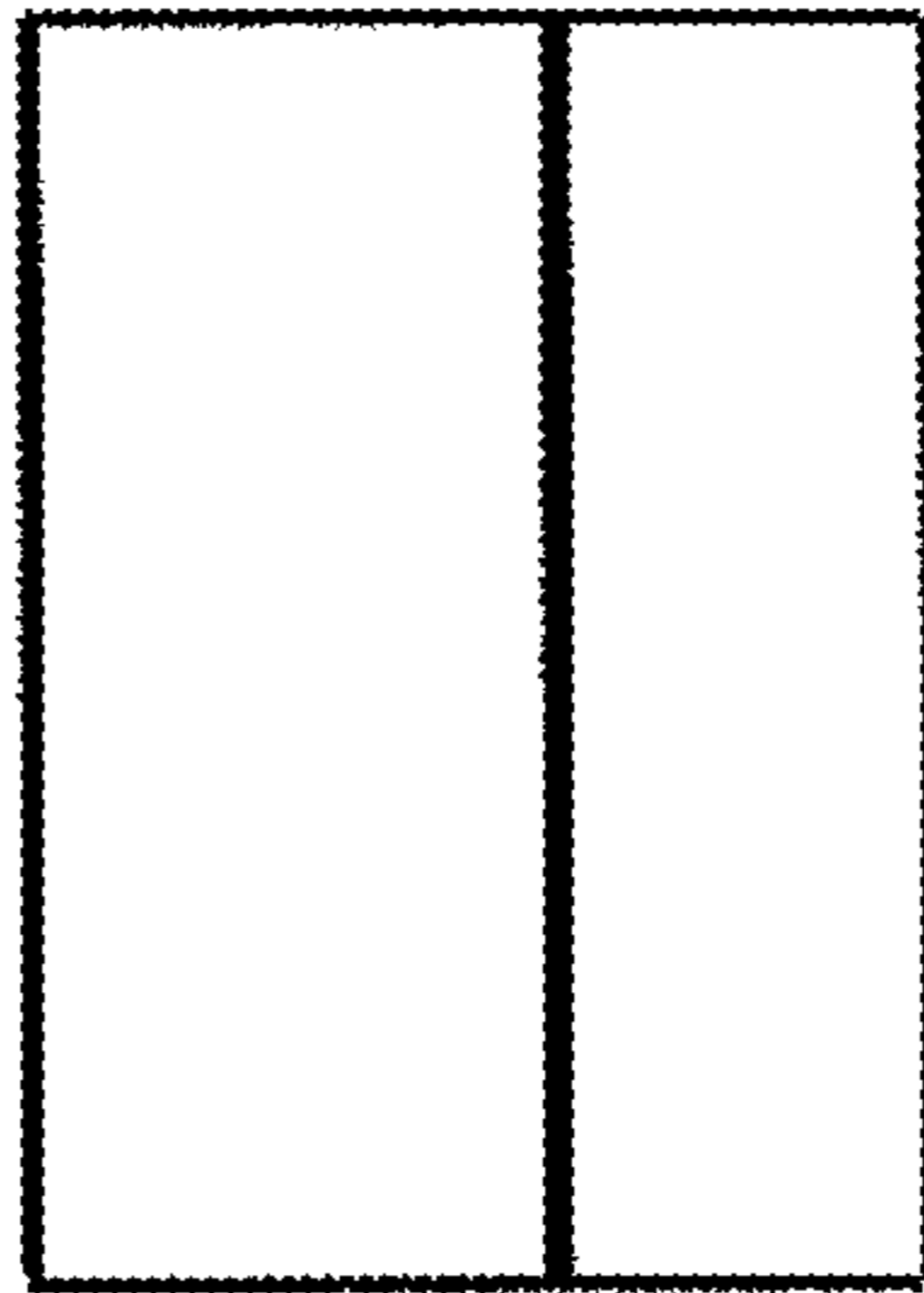


Fig. 4

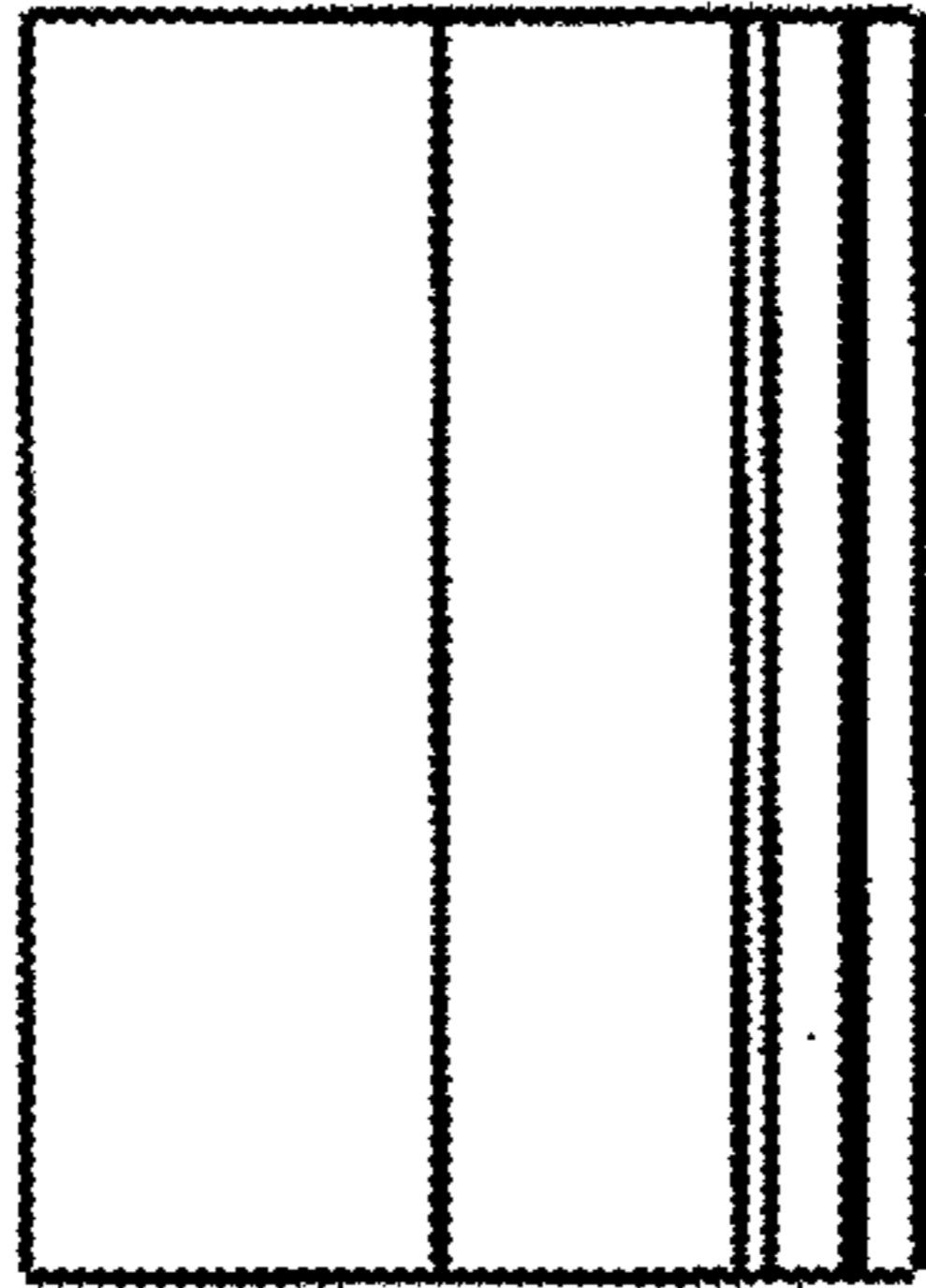


Fig. 5

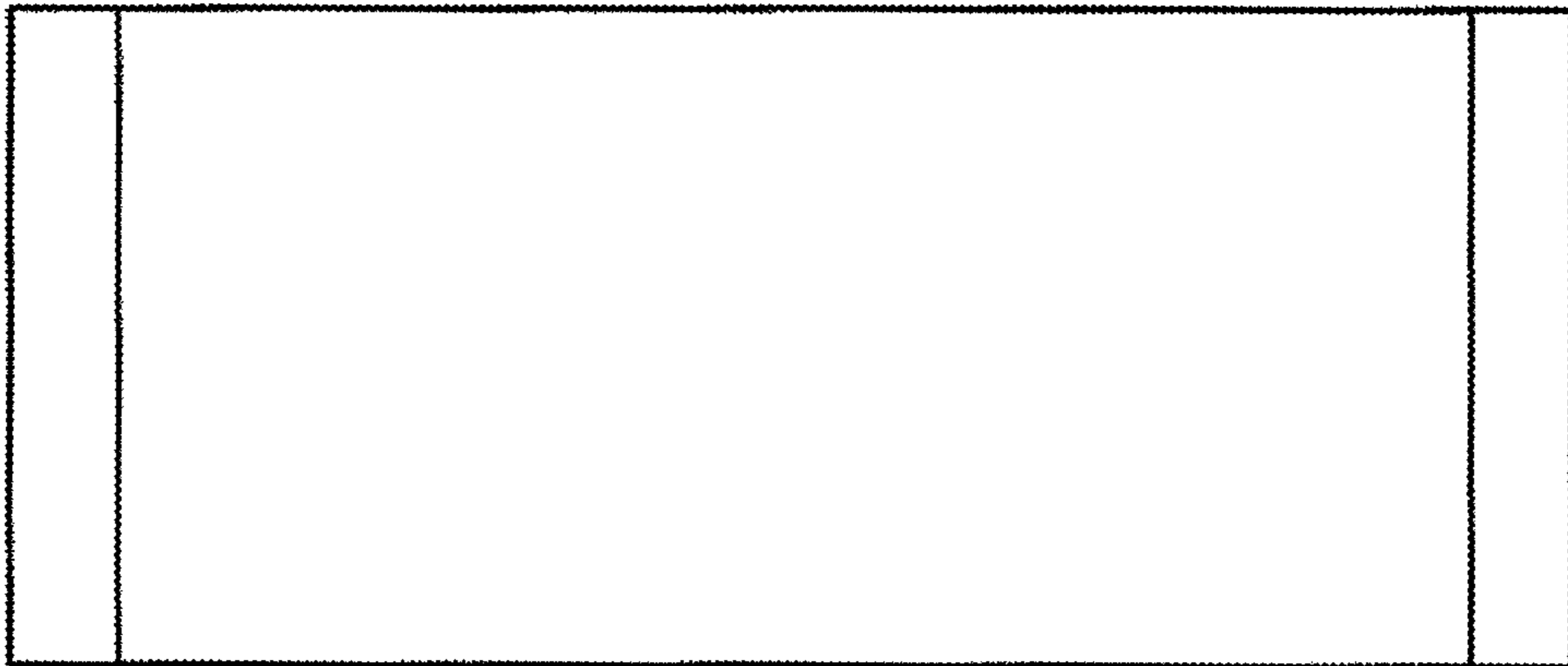


Fig. 6