



US00D770886S

(12) **United States Design Patent**  
**Whitaker**

(10) **Patent No.:** **US D770,886 S**  
(45) **Date of Patent:** **\*\* Nov. 8, 2016**

(54) **TUBING CLAMP**

(71) Applicant: **Nordson Corporation**, Westlake, OH (US)  
(72) Inventor: **Carl T. Whitaker**, Berthoud, CO (US)  
(73) Assignee: **Nordson Corporation**, Westlake, OH (US)

(\*\*) Term: **15 Years**

(21) Appl. No.: **29/530,220**

(22) Filed: **Jun. 15, 2015**

(51) **LOC (10) Cl.** ..... **08-08**

(52) **U.S. Cl.**  
USPC ..... **D8/394**

(58) **Field of Classification Search**

USPC ..... D8/356, 354, 367, 349, 394, 382;  
D11/12, 56; 1/1; D13/152, 139.1;  
381/74; 24/115 R; D24/143  
CPC ..... A63B 27/00; A63B 1/00; H04R 1/1033;  
H04R 13/506; H04R 13/5833; H04R 31/06;  
A61M 39/1011; H02G 3/0658; A44B 99/00  
See application file for complete search history.

(56) **References Cited**

**U.S. PATENT DOCUMENTS**

3,147,508 A \* 9/1964 Glynn ..... B60S 1/4006  
15/250.32  
3,896,527 A \* 7/1975 Miller ..... A44B 99/00  
16/DIG. 13

(Continued)

**FOREIGN PATENT DOCUMENTS**

JP 1532292 8/2015

**OTHER PUBLICATIONS**

Japanese Application No. 2015-027941: Notification dated Mar. 18, 2016, p. 1.

*Primary Examiner* — Cynthia Underwood  
(74) *Attorney, Agent, or Firm* — Baker & Hostetler LLP

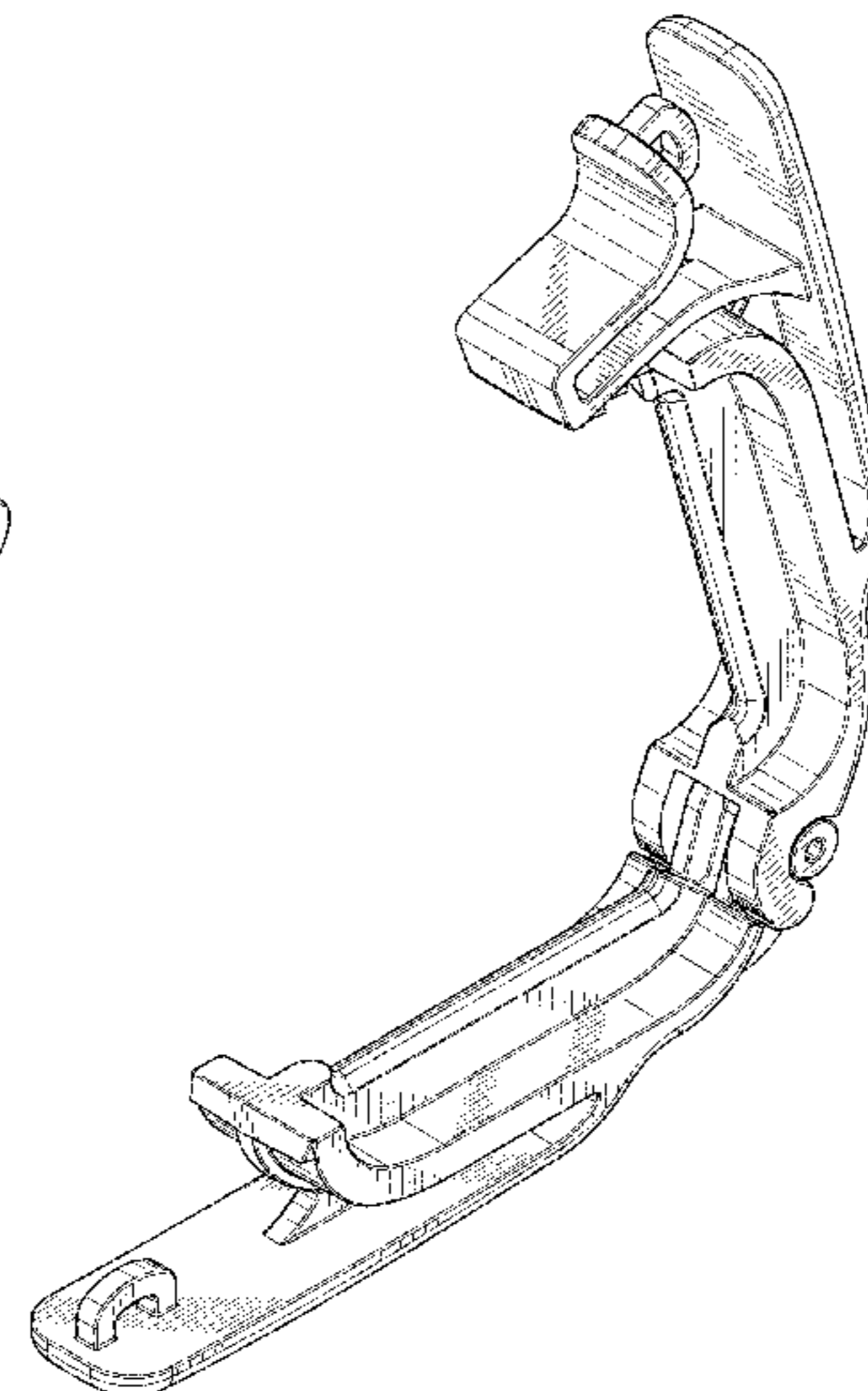
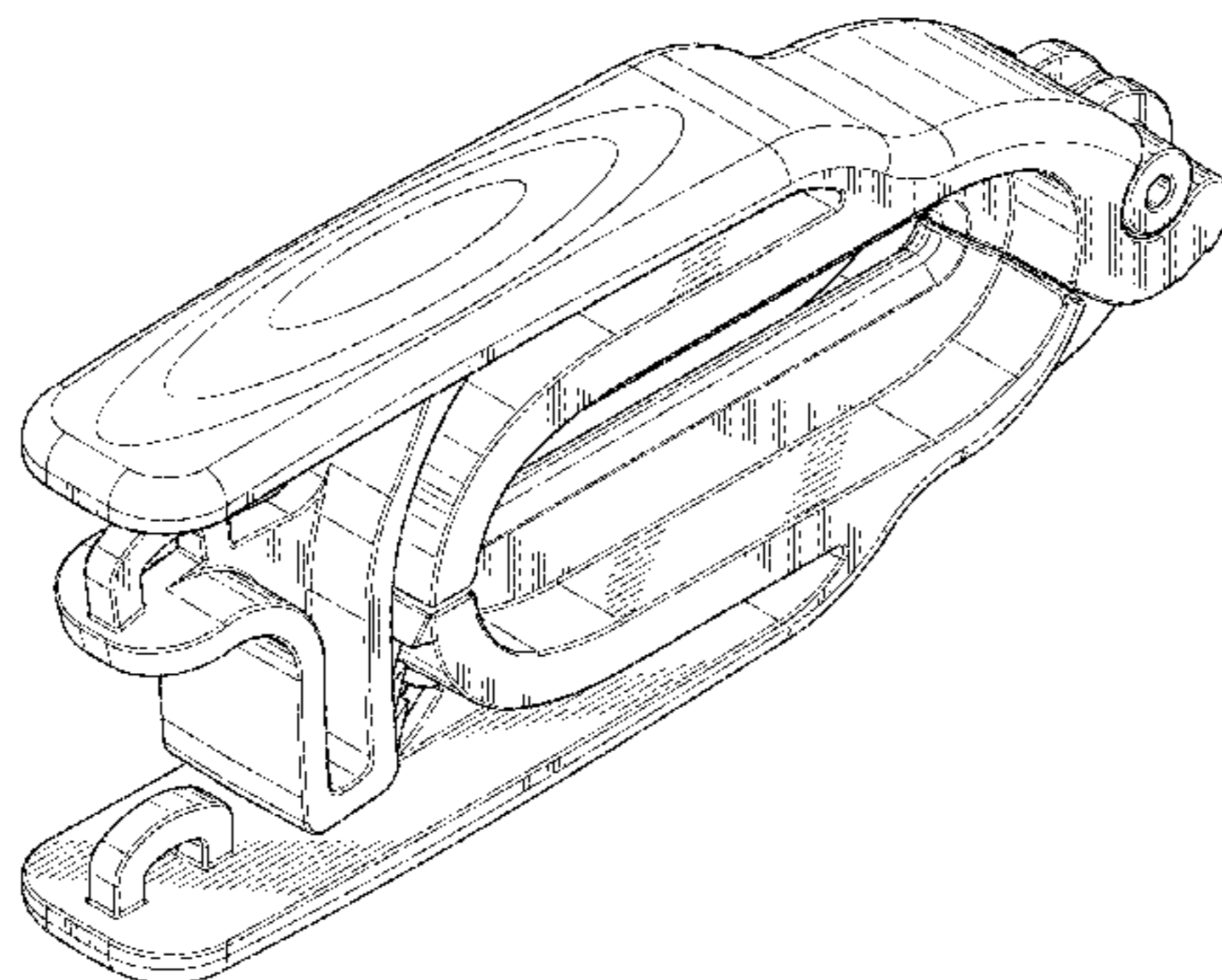
(57) **CLAIM**

The ornamental design for a tubing clamp, as shown and described.

**DESCRIPTION**

FIG. 1 is a front isometric view of the tubing clamp illustrated in a closed position.  
FIG. 2 is a rear isometric view of the tubing clamp illustrated in the closed position.  
FIG. 3 is a front view of the tubing clamp illustrated in the closed position.  
FIG. 4 is a rear view of the tubing clamp illustrated in the closed position.  
FIG. 5 is a right side view of the tubing clamp illustrated in the closed position, with the left side view being a mirror image thereof.  
FIG. 6 is a top view of the tubing clamp illustrated in the closed position.  
FIG. 7 is a bottom view of the tubing clamp illustrated in the closed position.  
FIG. 8 is a front isometric view of the tubing clamp illustrated in an open position.  
FIG. 9 is a rear isometric view of the tubing clamp illustrated in the open position.  
FIG. 10 is a front view of the tubing clamp illustrated in the open position.  
FIG. 11 is a rear view of the tubing clamp illustrated in the open position.  
FIG. 12 is a right side view of the tubing clamp illustrated in the open position, with the left side view being a mirror image thereof.  
FIG. 13 is a top view of the tubing clamp illustrated in the open position; and,  
FIG. 14 is a bottom view of the tubing clamp illustrated in the open position.  
The dash-dot lines are for environmental purposes and form no part of the claimed invention.

**1 Claim, 10 Drawing Sheets**



(56)

**References Cited**

U.S. PATENT DOCUMENTS

D431,650 S *	10/2000	Guala .....	D24/129	D710,190 S *	8/2014	Weger .....	D8/396
D569,718 S *	5/2008	Nakamura .....	D8/394	D741,701 S *	10/2015	McNeil .....	D8/356
D604,143 S *	11/2009	Shnayder .....	D8/349	D749,835 S	2/2016	Whitaker	
D619,711 S *	7/2010	Lombardo .....	D24/128	D761,100 S *	7/2016	Divers .....	D8/396
D649,641 S *	11/2011	Guttulrsud .....	D24/143	2008/0179469 A1 *	7/2008	Leone .....	H02G 3/0658 248/56
D695,100 S *	12/2013	Whitaker .....	D8/396	2012/0227221 A1 *	9/2012	Whitaker .....	A61M 39/1011 24/459
D700,835 S *	3/2014	Langlois .....	D8/396	2015/0164206 A1 *	6/2015	Reed .....	A45F 5/021 24/3.12

\* cited by examiner

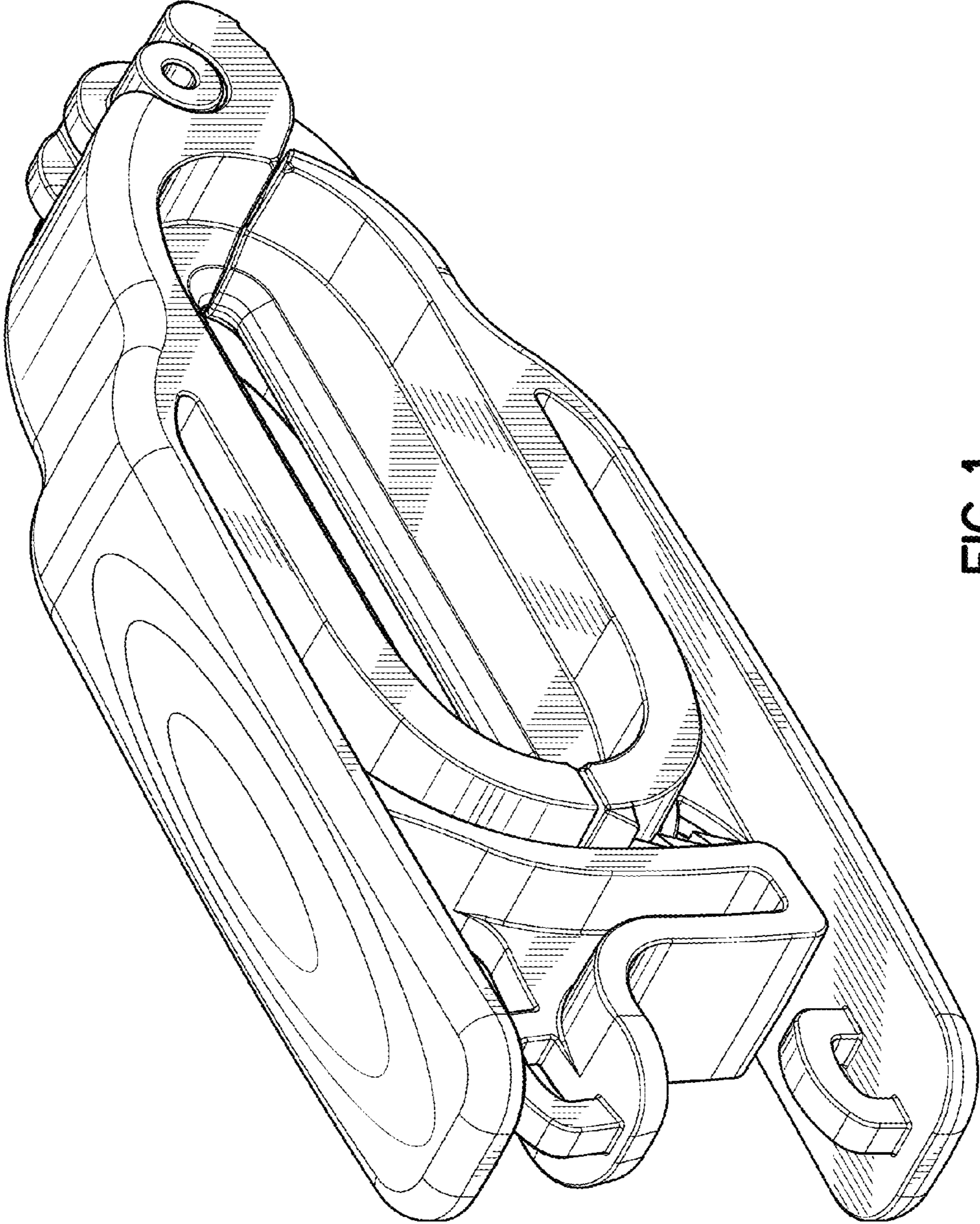


FIG. 1

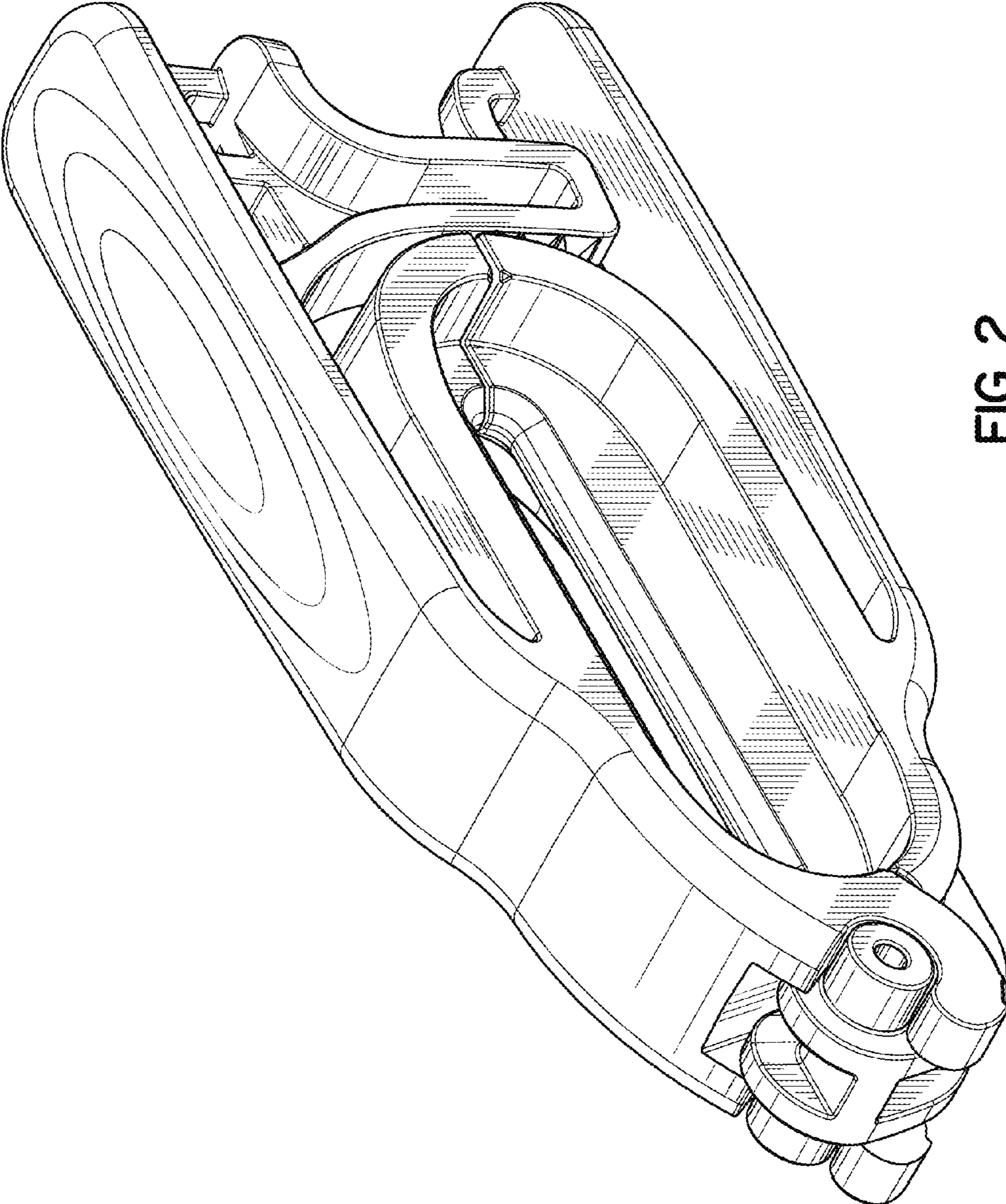


FIG. 2

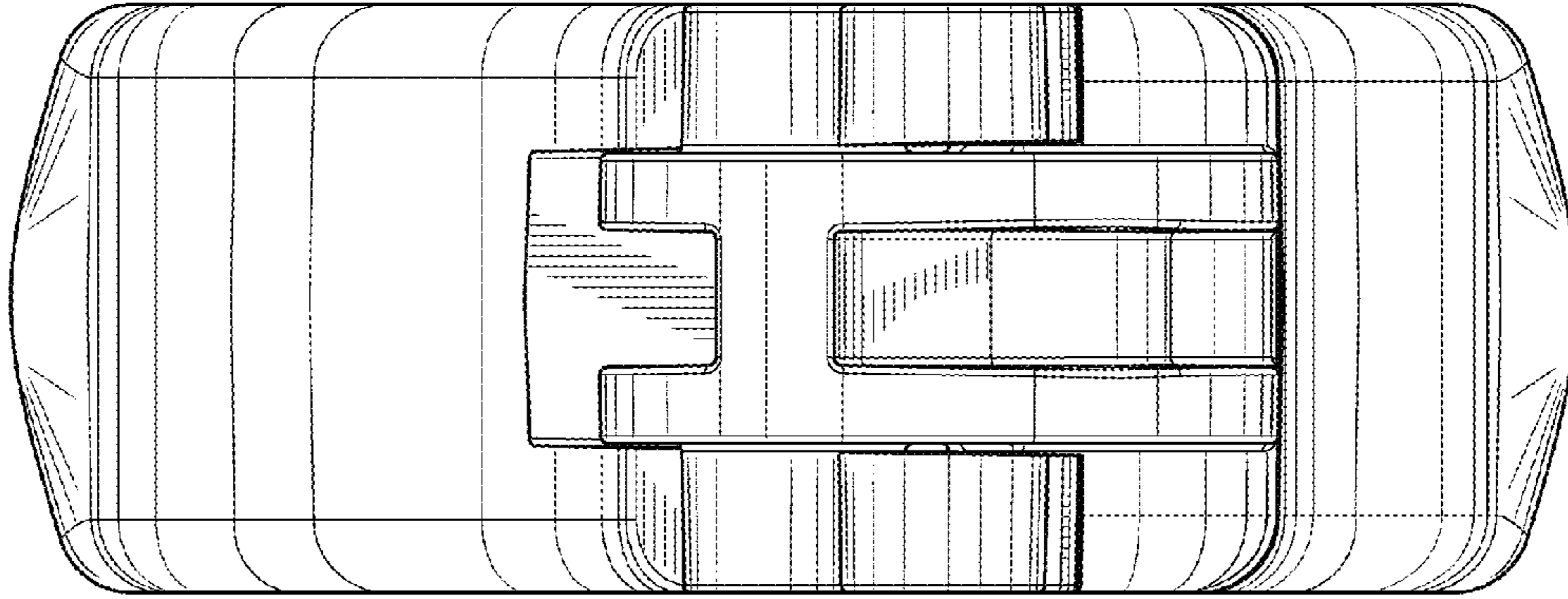


FIG. 4

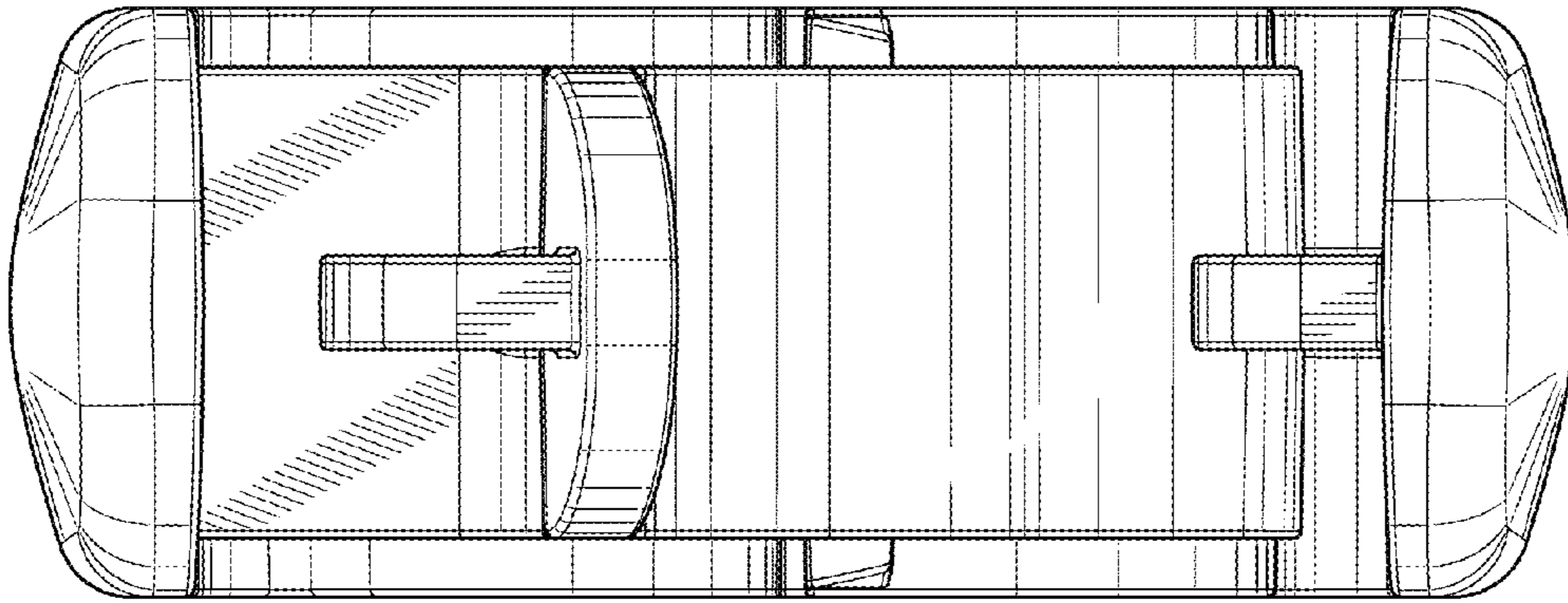


FIG. 3

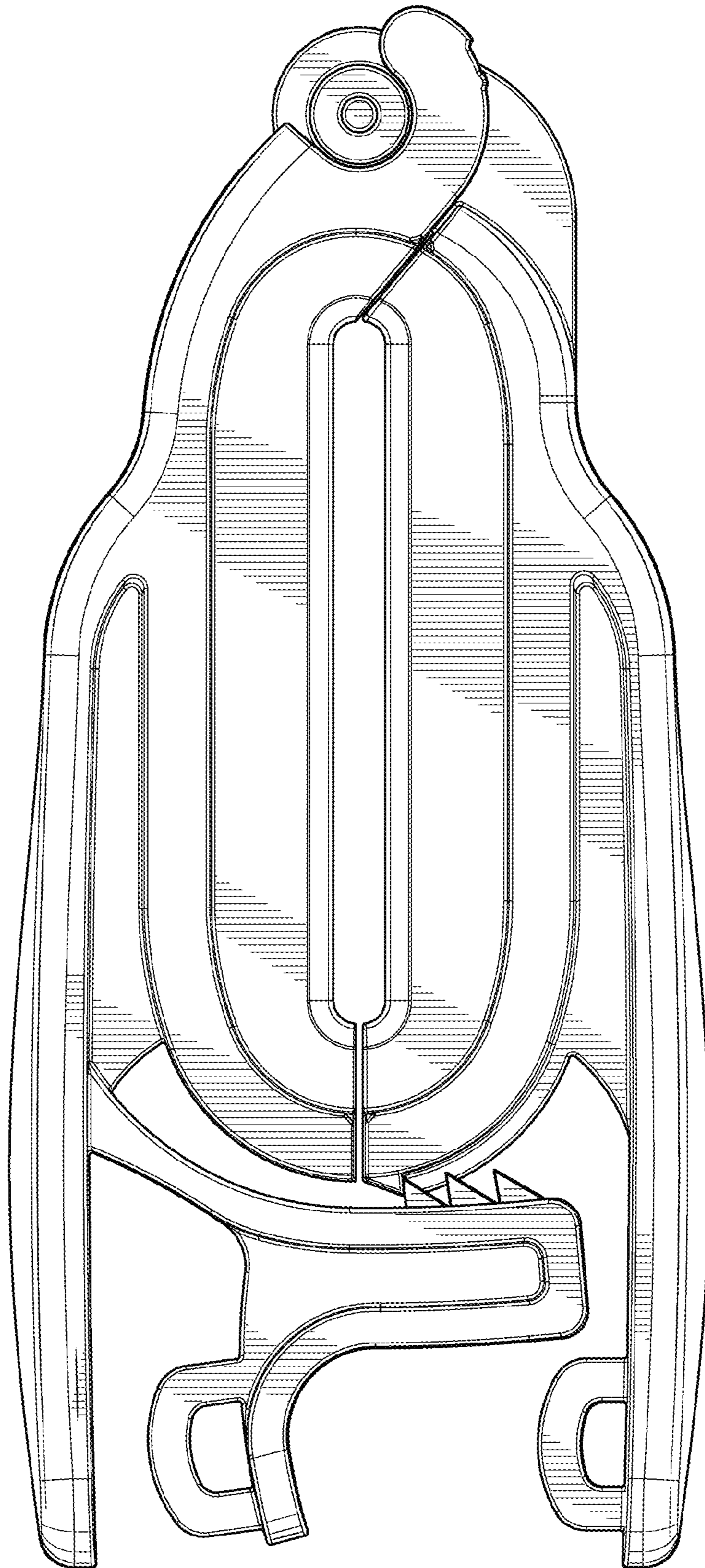


FIG. 5

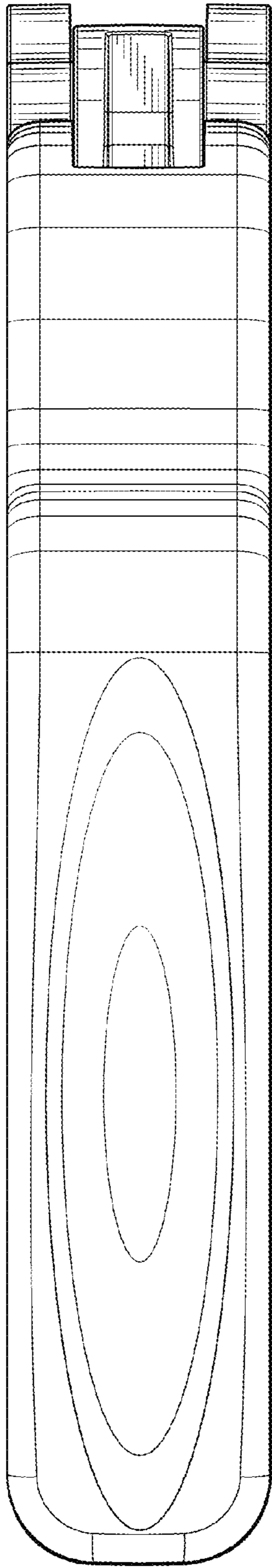


FIG. 6

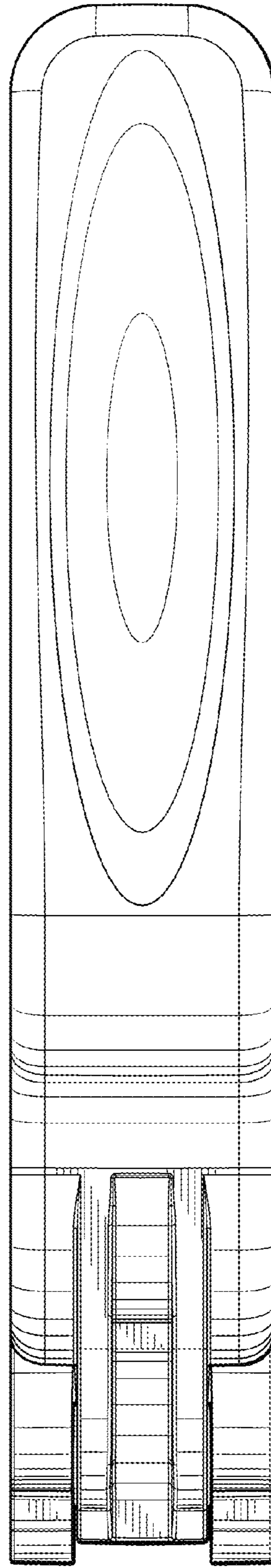


FIG. 7

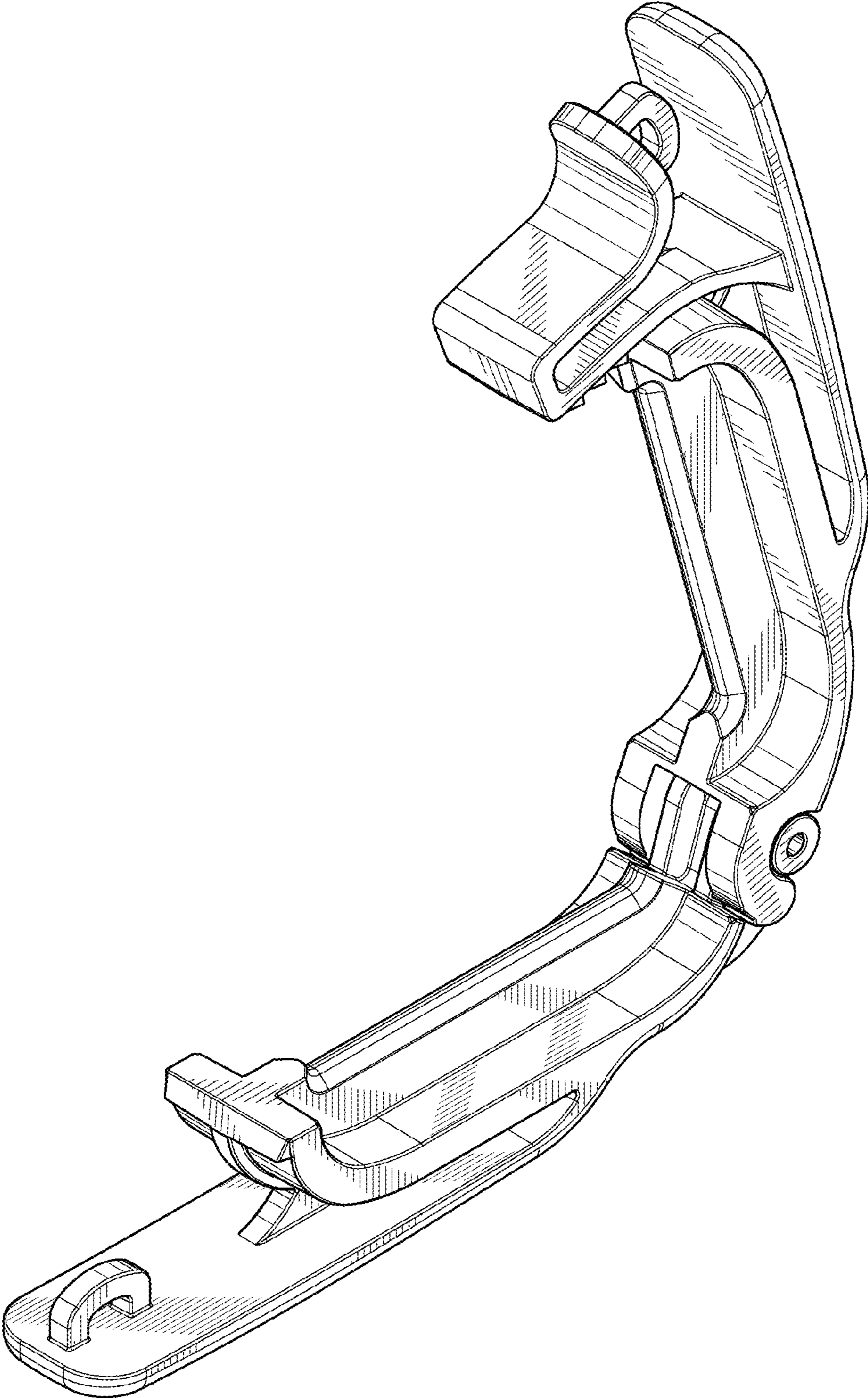


FIG. 8



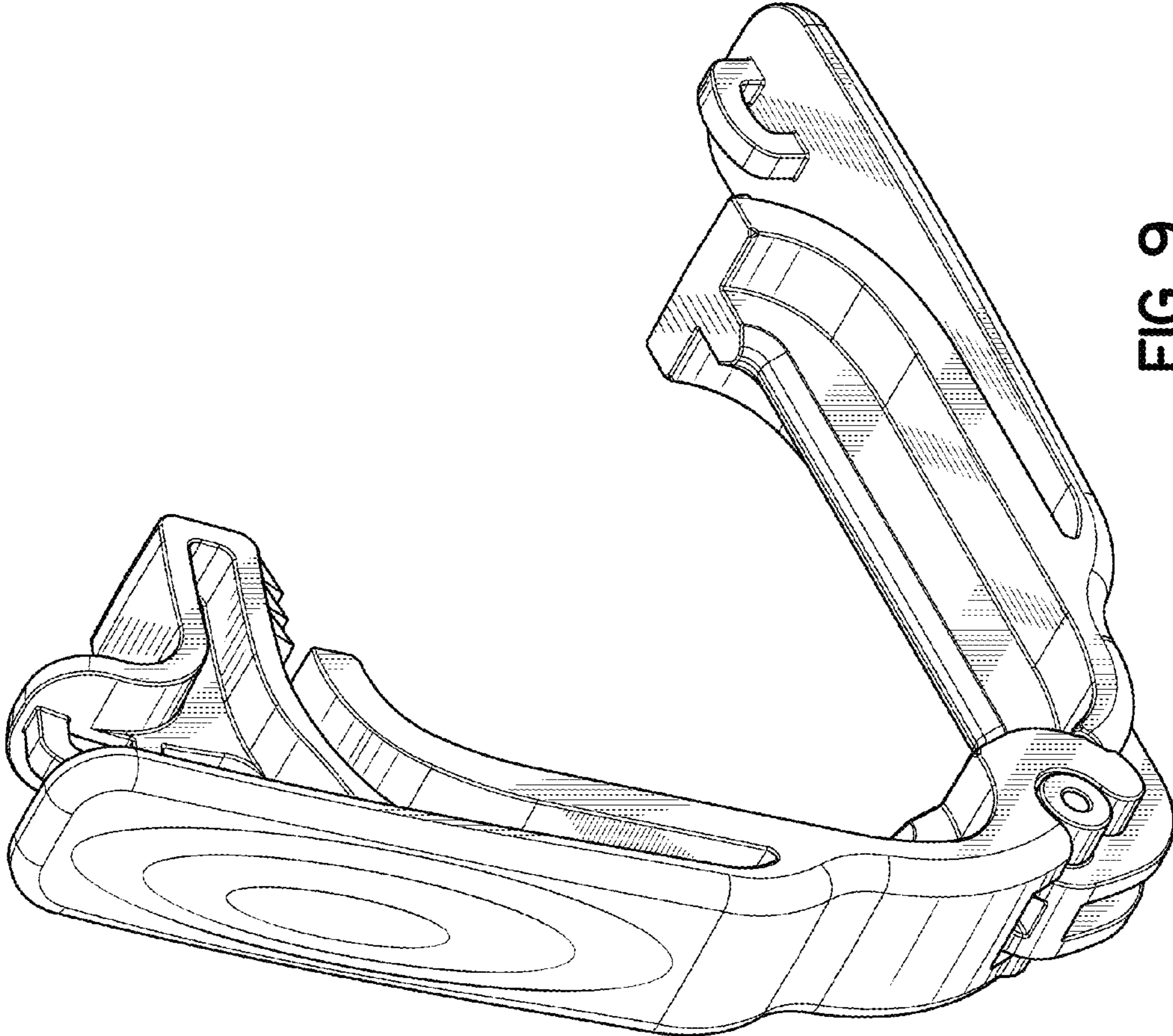


FIG. 9

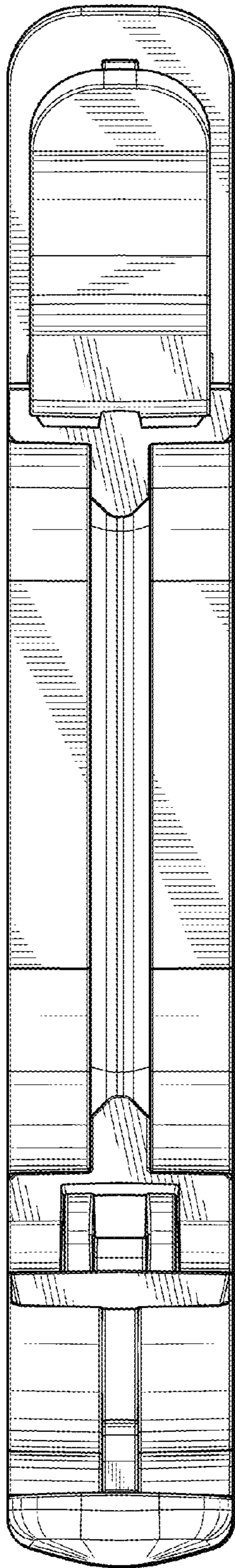


FIG. 10

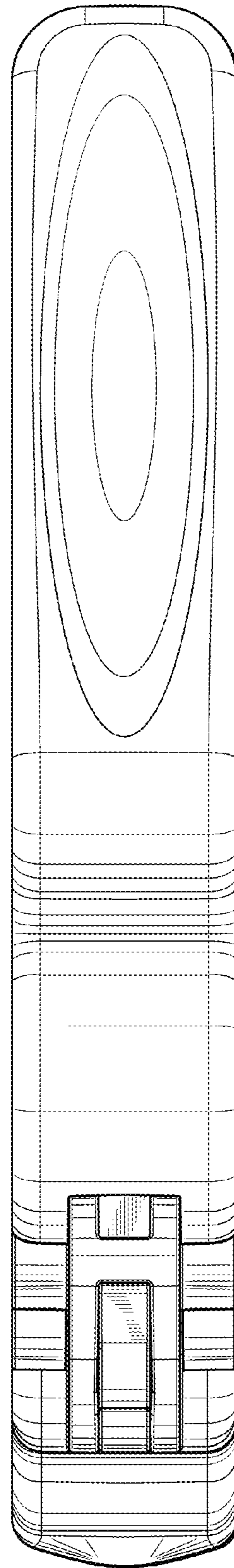


FIG. 11

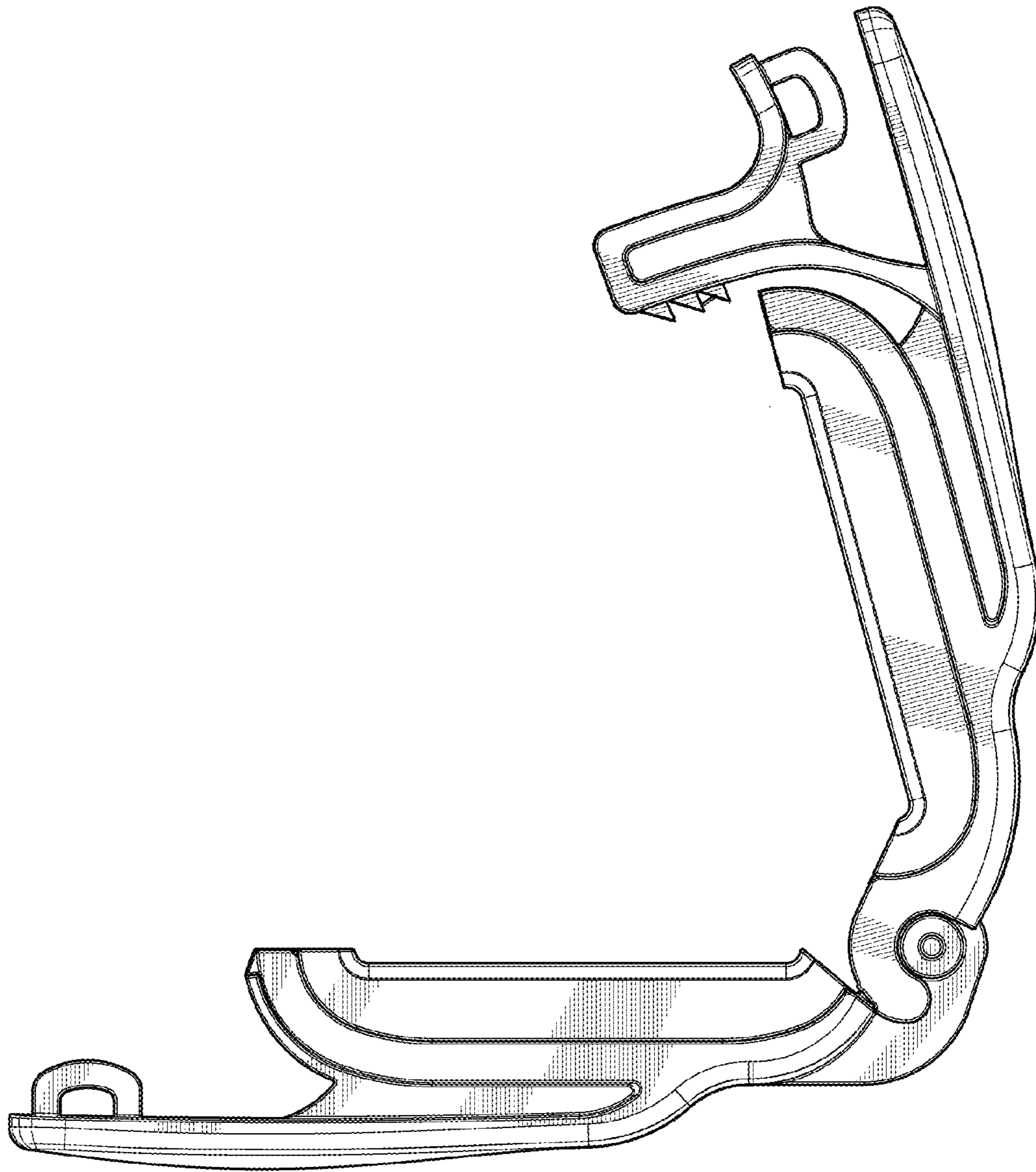


FIG. 12

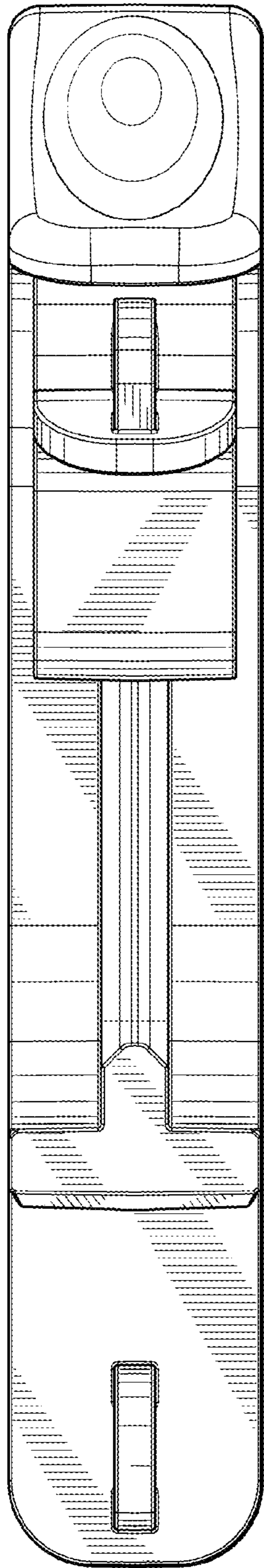


FIG. 13

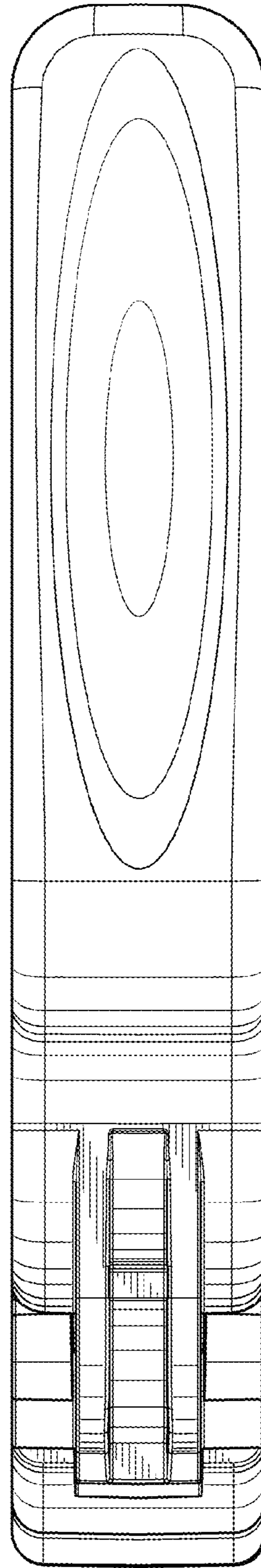


FIG. 14