

US00D770885S

(12) **United States Design Patent**
Miros et al.

(10) **Patent No.:** **US D770,885 S**

(45) **Date of Patent:** **** Nov. 8, 2016**

(54) **CLIP**
(71) Applicant: **3rd Stone Design Inc.**, San Rafael, CA (US)
(72) Inventors: **Robert H. J. Miros**, Fairfax, CA (US); **Jaquelyn Miyatake**, San Rafael, CA (US); **Jocelyn Brown**, Berkeley, CA (US)

(73) Assignee: **3rd Stone Design Inc.**, San Rafael, CA (US)

(**) Term: **15 Years**

(21) Appl. No.: **29/538,050**

(22) Filed: **Aug. 31, 2015**

(51) **LOC (10) Cl.** **08-08**

(52) **U.S. Cl.**
USPC **D8/382**

(58) **Field of Classification Search**
USPC D8/71, 349, 354, 356, 382, 394, 395, D8/396, 499; D6/552, 554, 572
CPC F16L 3/00; F16L 3/01; F16L 3/08; F16L 3/10; F16L 3/1207; Y10T 24/3916; Y10T 24/3918; Y10T 24/39; Y10T 24/44769; Y10T 24/44778; F16G 11/10; F16G 11/105; F16G 11/106; H02G 3/30
See application file for complete search history.

(56) **References Cited**

U.S. PATENT DOCUMENTS

D209,330 S * 11/1967 Coderre D8/372
D253,992 S * 1/1980 Nelson D8/356
D354,677 S * 1/1995 Troyer D26/138

5,524,327 A * 6/1996 Mickel F16L 3/00 24/115 A
D405,828 S * 2/1999 Richter D19/65
D408,269 S * 4/1999 Ross D8/356
D410,374 S * 6/1999 Meurer D8/349
6,134,754 A * 10/2000 Hansson A61M 25/02 24/115 R
D474,156 S * 5/2003 Vournou D13/154
D709,355 S * 7/2014 Berger D8/356
9,248,260 B2 * 2/2016 Khalaj A61M 25/02

* cited by examiner

Primary Examiner — Sandra Snapp

Assistant Examiner — Ieisha Price

(74) *Attorney, Agent, or Firm* — Levine Bagade Han LLP

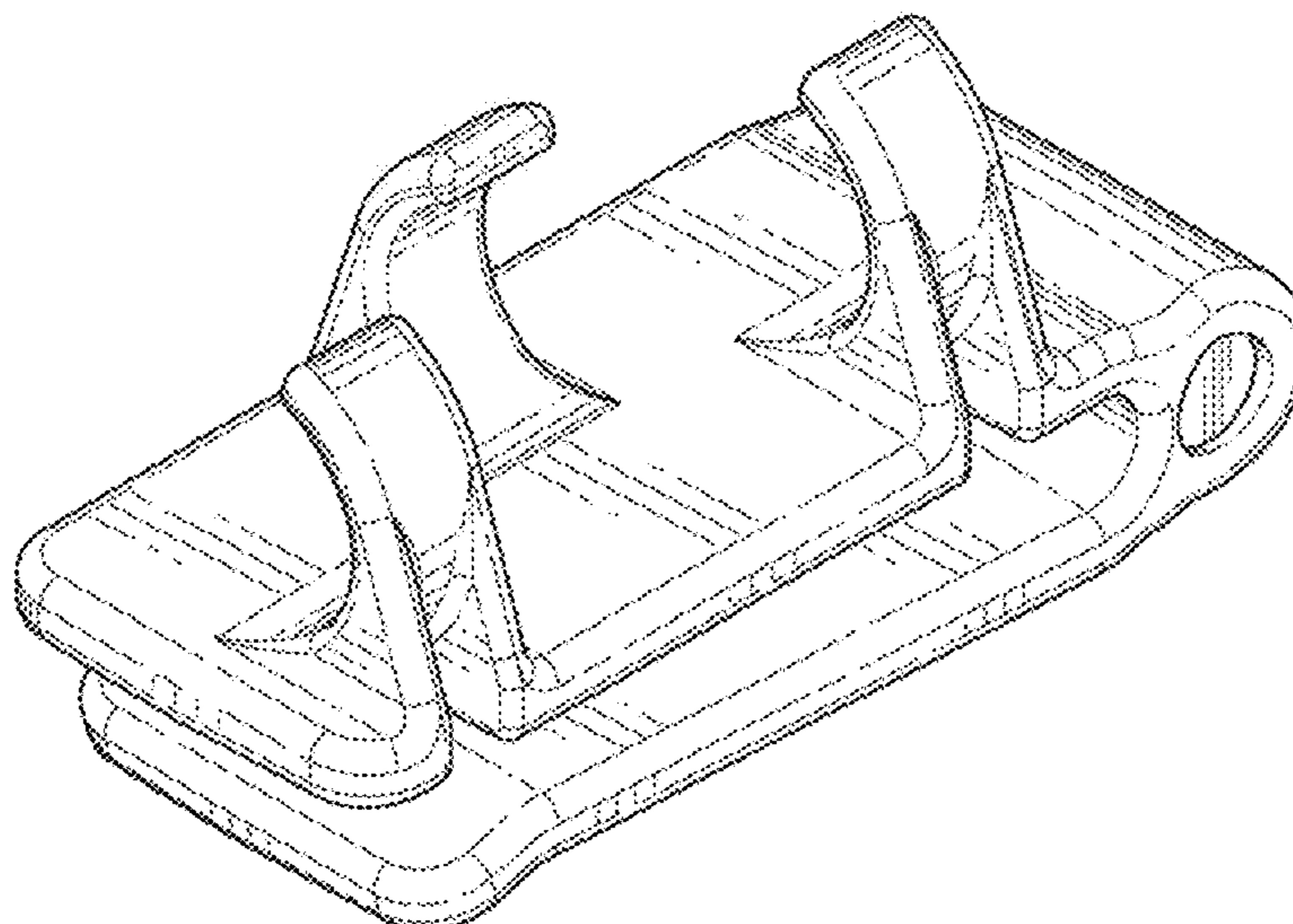
(57) **CLAIM**

The ornamental design for a clip, as shown and described.

DESCRIPTION

FIG. 1 is a top perspective view of a clip;
FIG. 2 is a left side elevation view thereof;
FIG. 3 is a right side elevation view thereof;
FIG. 4 is a front elevation view thereof.
FIG. 5 is a rear elevation view thereof;
FIG. 6 is a top view thereof; and,
FIG. 7 is a bottom view thereof.

1 Claim, 7 Drawing Sheets



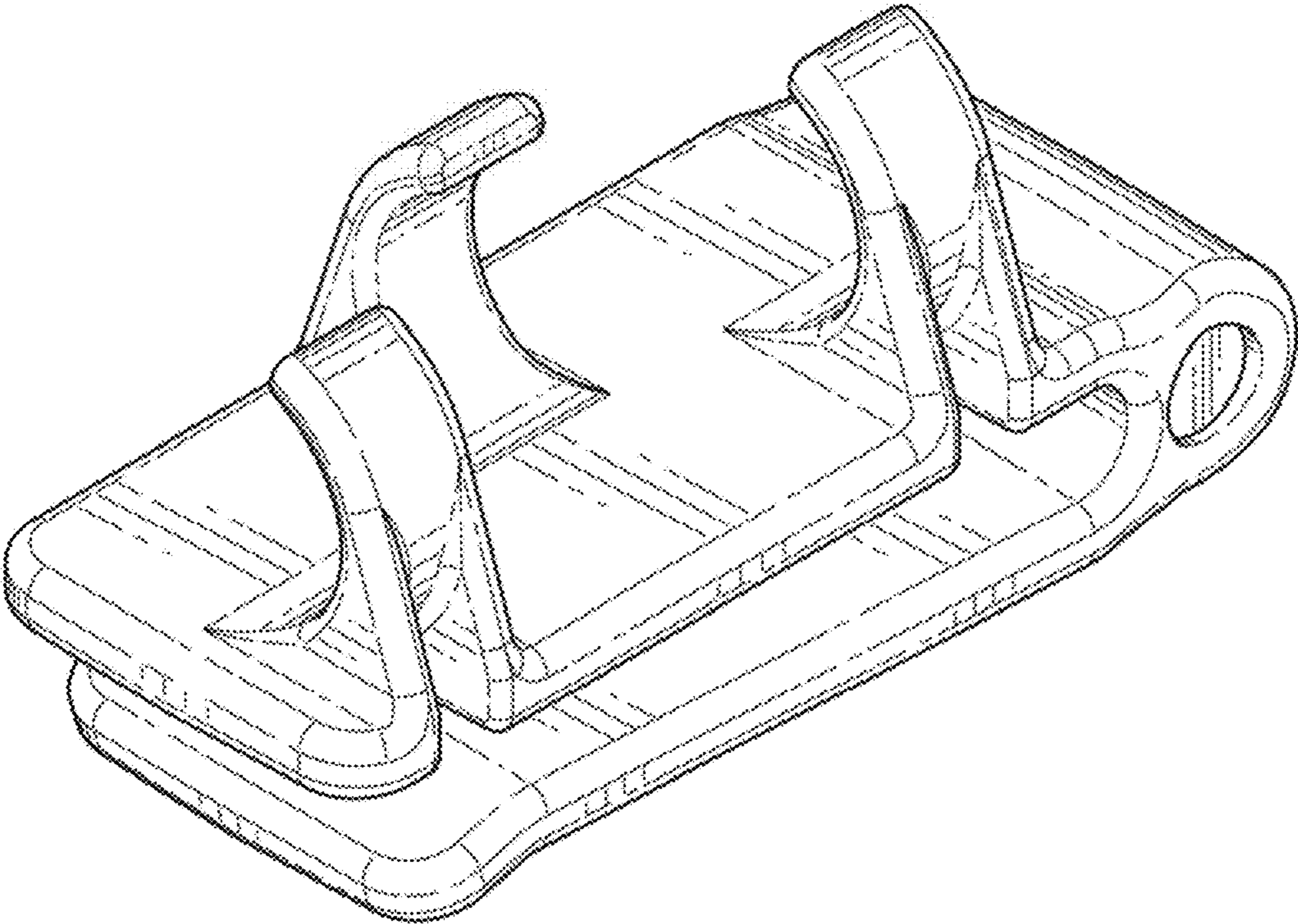


FIG. 1

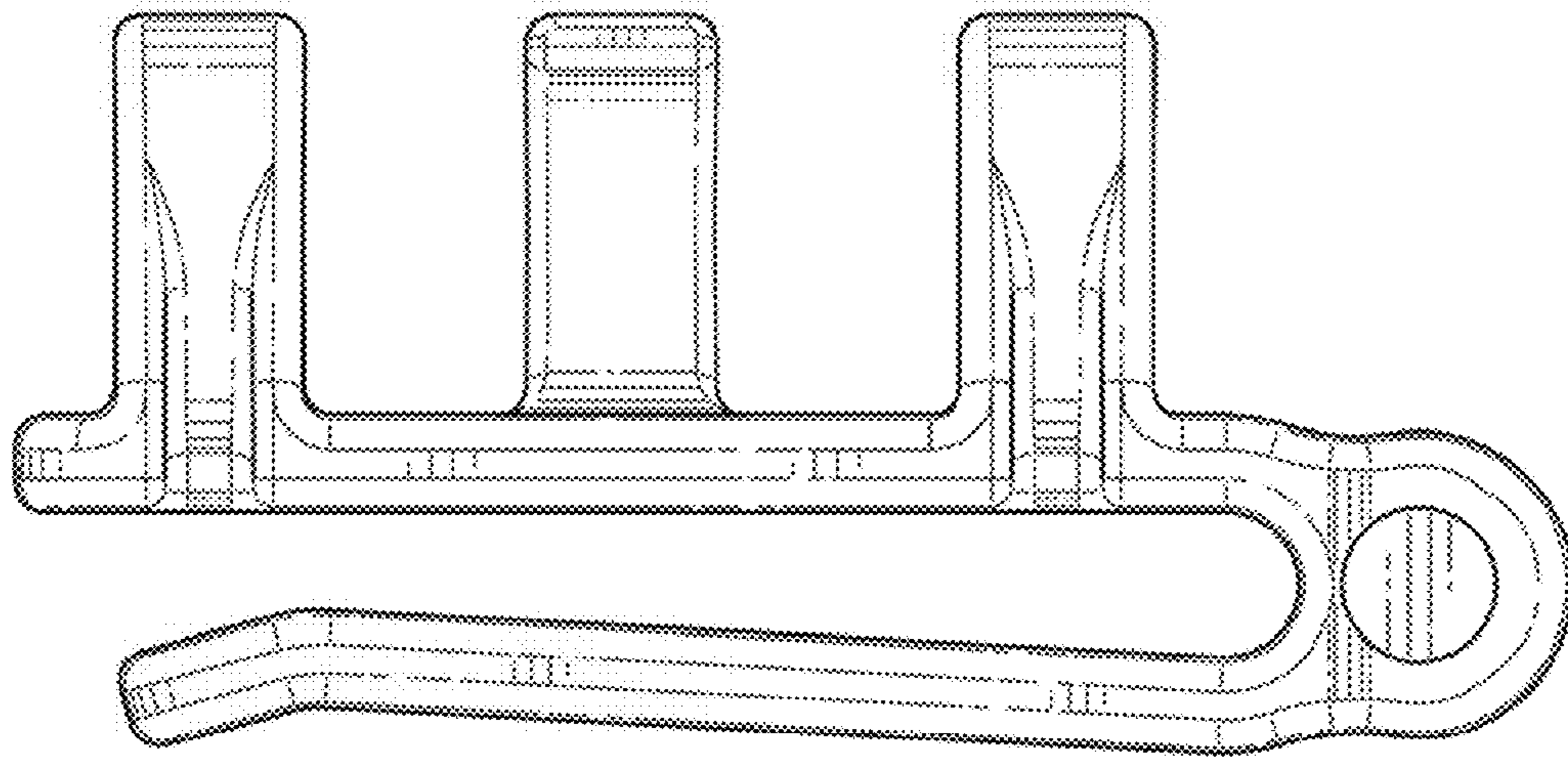


FIG. 2

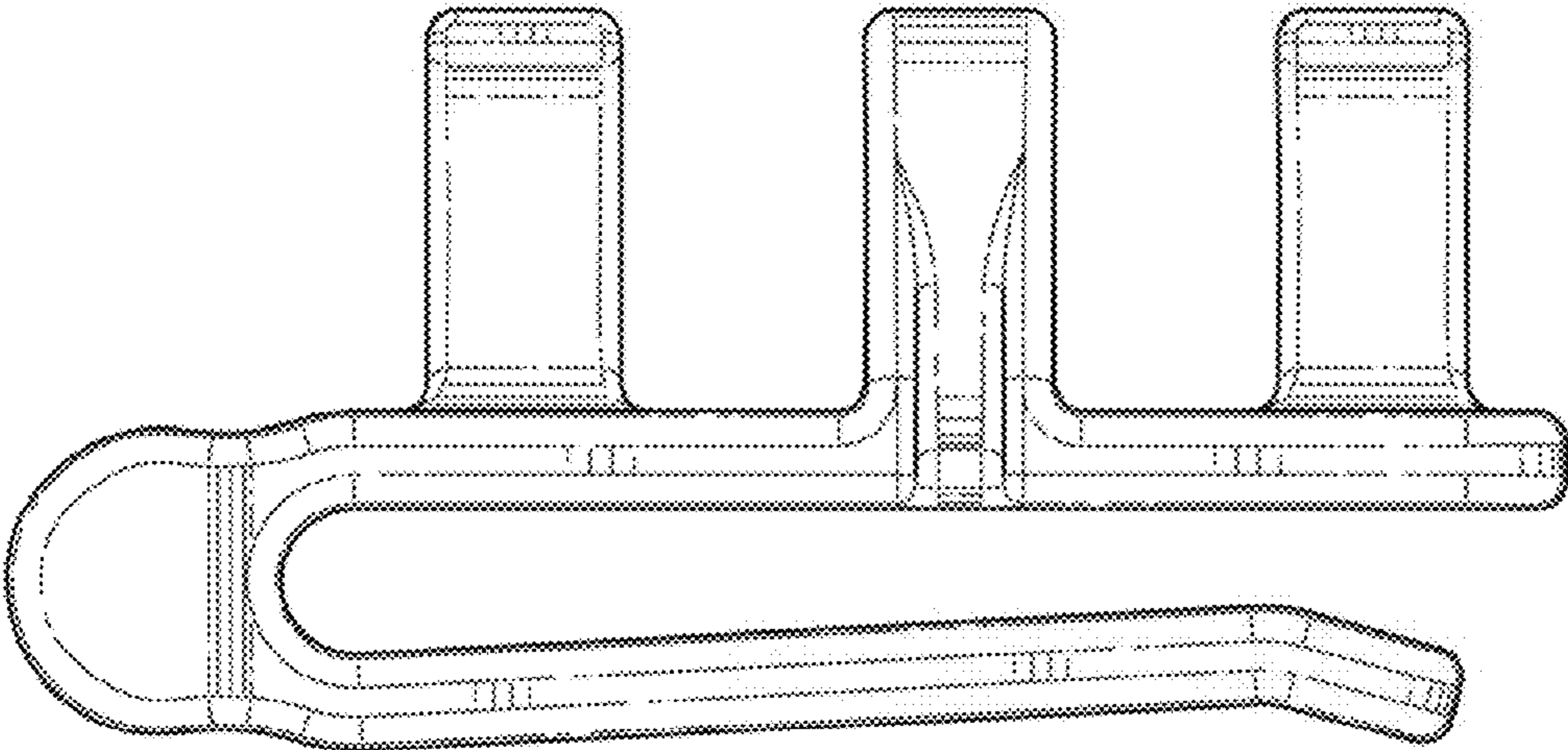


FIG. 3

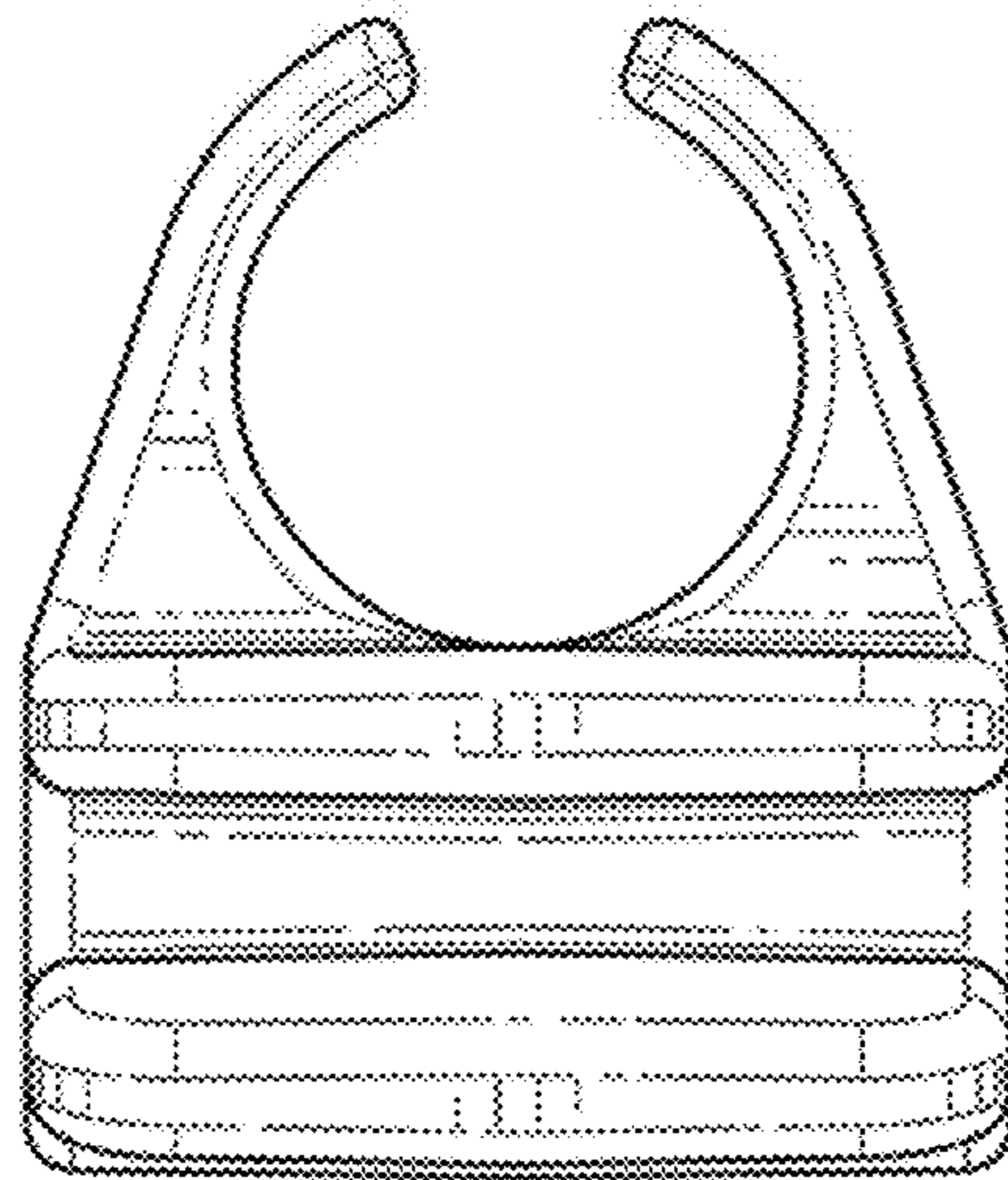


FIG. 4

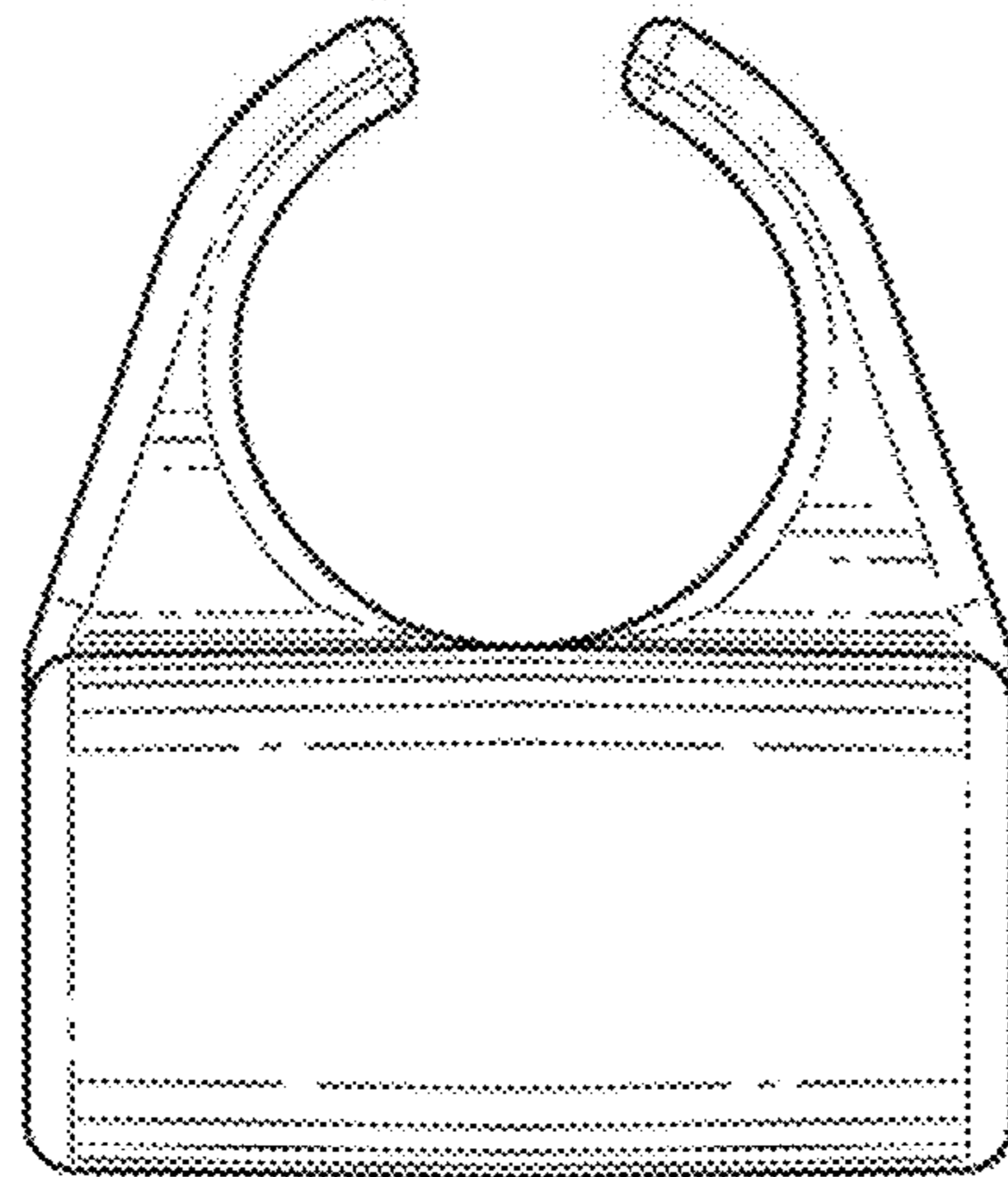


FIG. 5

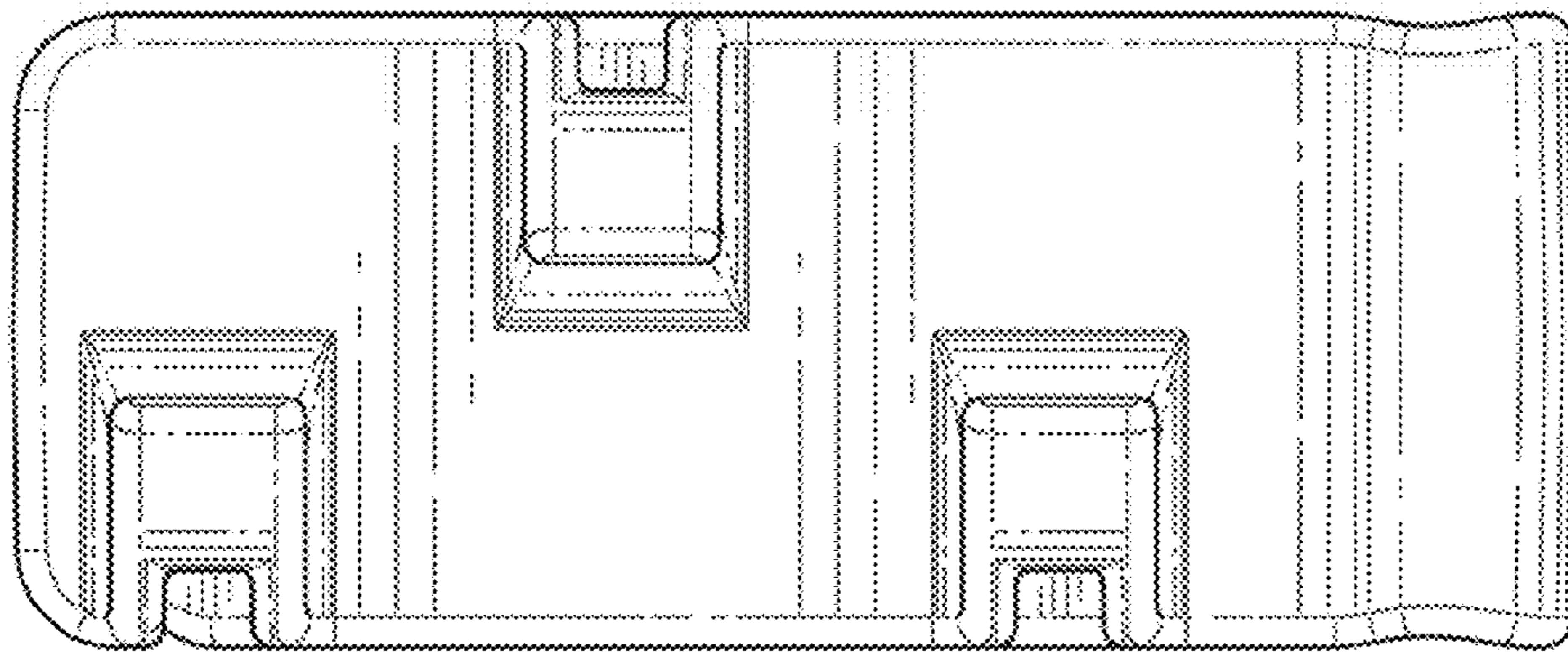


FIG. 6

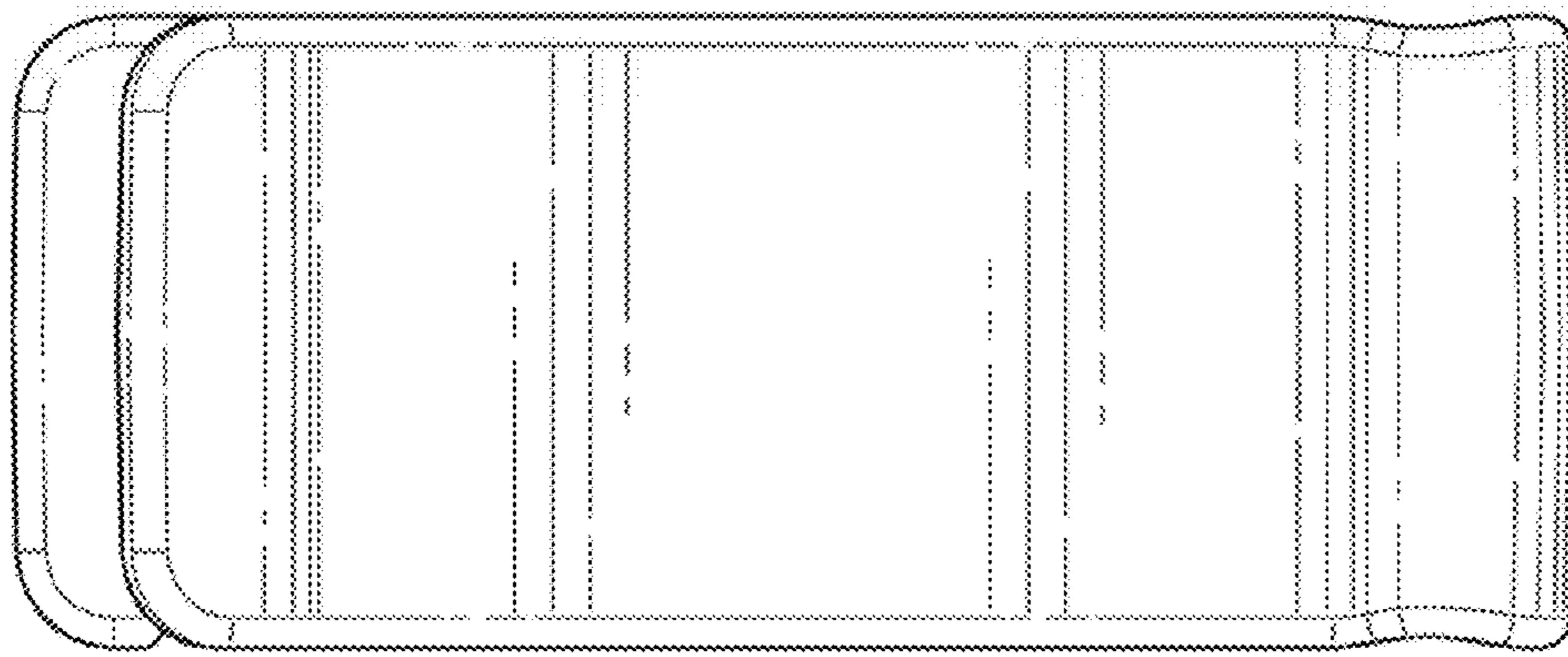


FIG. 7