



US00D770881S

(12) **United States Design Patent**
Gartner

(10) **Patent No.:** **US D770,881 S**

(45) **Date of Patent:** **** Nov. 8, 2016**

(54) **DUAL INPUT DIAL FOR ELECTRONIC AND MECHANICAL COMBINATION LOCK**

(71) Applicant: **Klaus W. Gartner**, Palos Verdes Estates, CA (US)

(72) Inventor: **Klaus W. Gartner**, Palos Verdes Estates, CA (US)

(73) Assignee: **MG TECH CENTER BV H.O.D.N. LOCK TECHNOLOGY**, Ulf (NL)

(**) Term: **14 Years**

(21) Appl. No.: **29/509,730**

(22) Filed: **Nov. 20, 2014**

(51) **LOC (10) Cl.** **08-07**

(52) **U.S. Cl.**
USPC **D8/334; D8/331**

(58) **Field of Classification Search**
USPC D8/330, 331, 333, 317, 335, 336, 337, D8/338, 341, 342, 348, 350, 352; 70/14, 70/20, 21, 24, 27, 32, 39, 41, 52-56, 86, 70/423, 57, DIG. 38, DIG. 39
CPC E05B 67/36; E05B 65/48; E05B 17/18; E05B 63/00; E05B 65/00
See application file for complete search history.

(56) **References Cited**

U.S. PATENT DOCUMENTS

5,127,244 A * 7/1992 Myers E05B 67/36
70/14
D336,030 S * 6/1993 Falk D8/331
5,251,464 A * 10/1993 Halter B62H 5/003
224/427

5,345,794 A * 9/1994 Jenks E05B 67/36
70/14
D395,814 S * 7/1998 Yang D8/334
6,854,303 B2 * 2/2005 Shiao E05B 67/38
70/2
D513,582 S * 1/2006 Osiecki D8/331
D561,001 S * 2/2008 Rohde D8/334
D594,311 S * 6/2009 Stevens D8/331
7,610,784 B2 * 11/2009 Rohde E05B 17/18
70/34
D618,081 S * 6/2010 Moyer D8/330
7,918,111 B2 * 4/2011 Uliano E05B 67/36
70/2
D649,012 S * 11/2011 Gartner D8/334

* cited by examiner

Primary Examiner — Prabhakar Deshmukh

(74) *Attorney, Agent, or Firm* — Fox Rothschild LLP

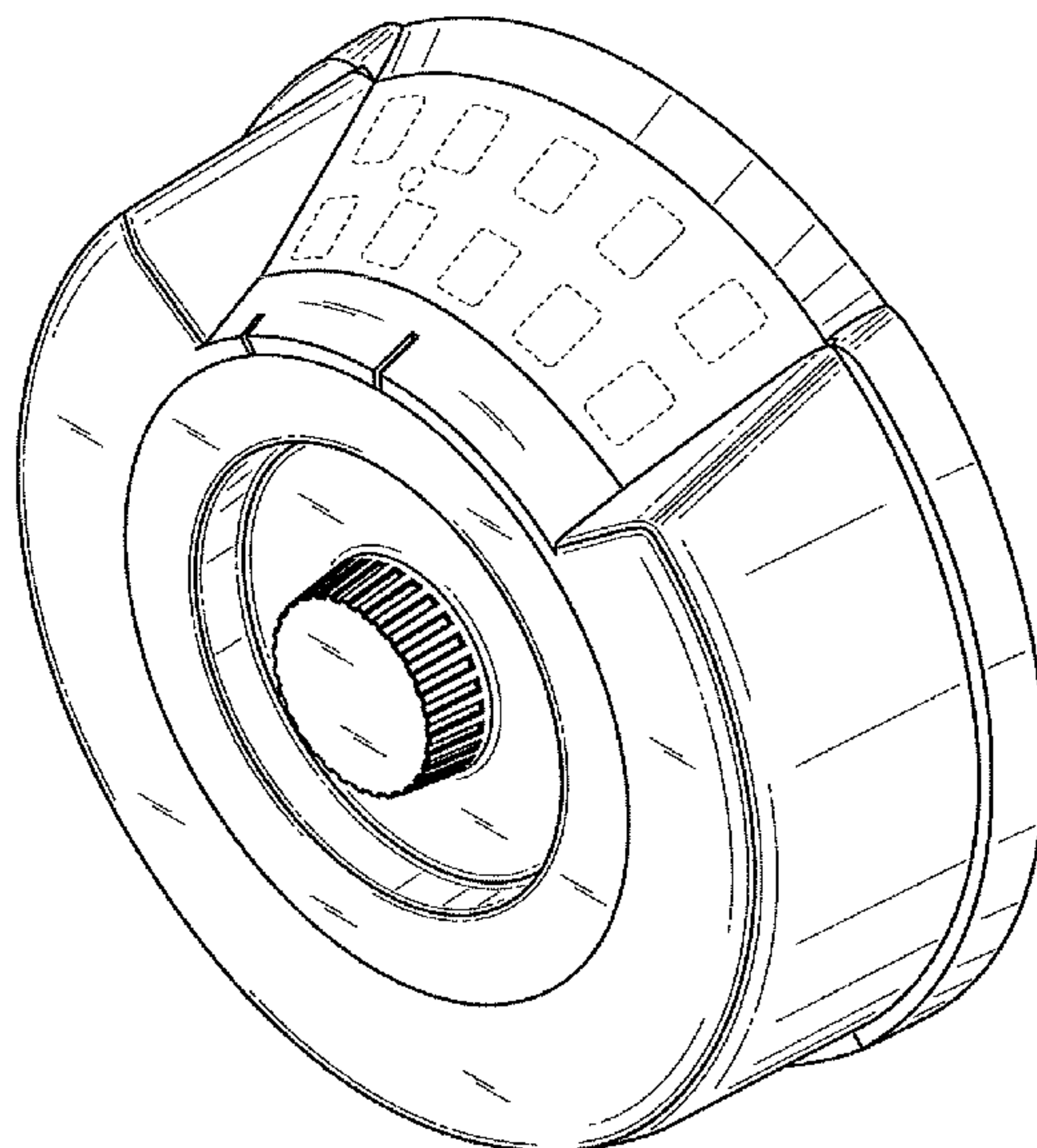
(57) **CLAIM**

The ornamental design for a dual input dial for electronic and mechanical combination lock, as shown and described.

DESCRIPTION

FIG. 1 is a perspective view of a dual input dial showing my new design;
FIG. 2 is a front elevational view thereof;
FIG. 3 is a rear elevational view thereof;
FIG. 4 is a right side elevational view thereof;
FIG. 5 is a left side elevational view thereof;
FIG. 6 is a top plan view thereof; and,
FIG. 7 is a bottom plan view thereof.
The broken lines environment is for illustrated purpose and forms no part of the claimed design.

1 Claim, 6 Drawing Sheets



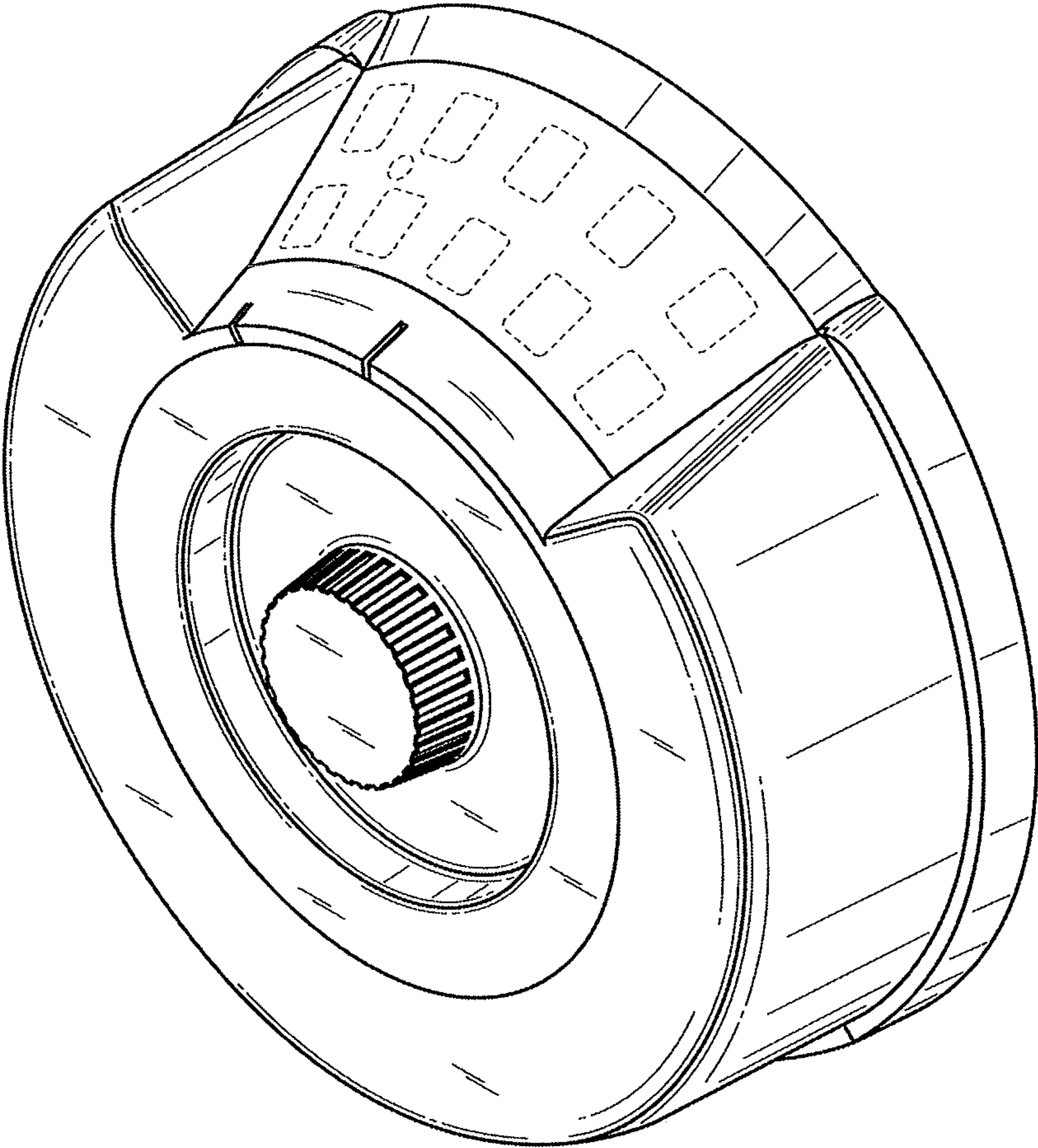


Fig. 1

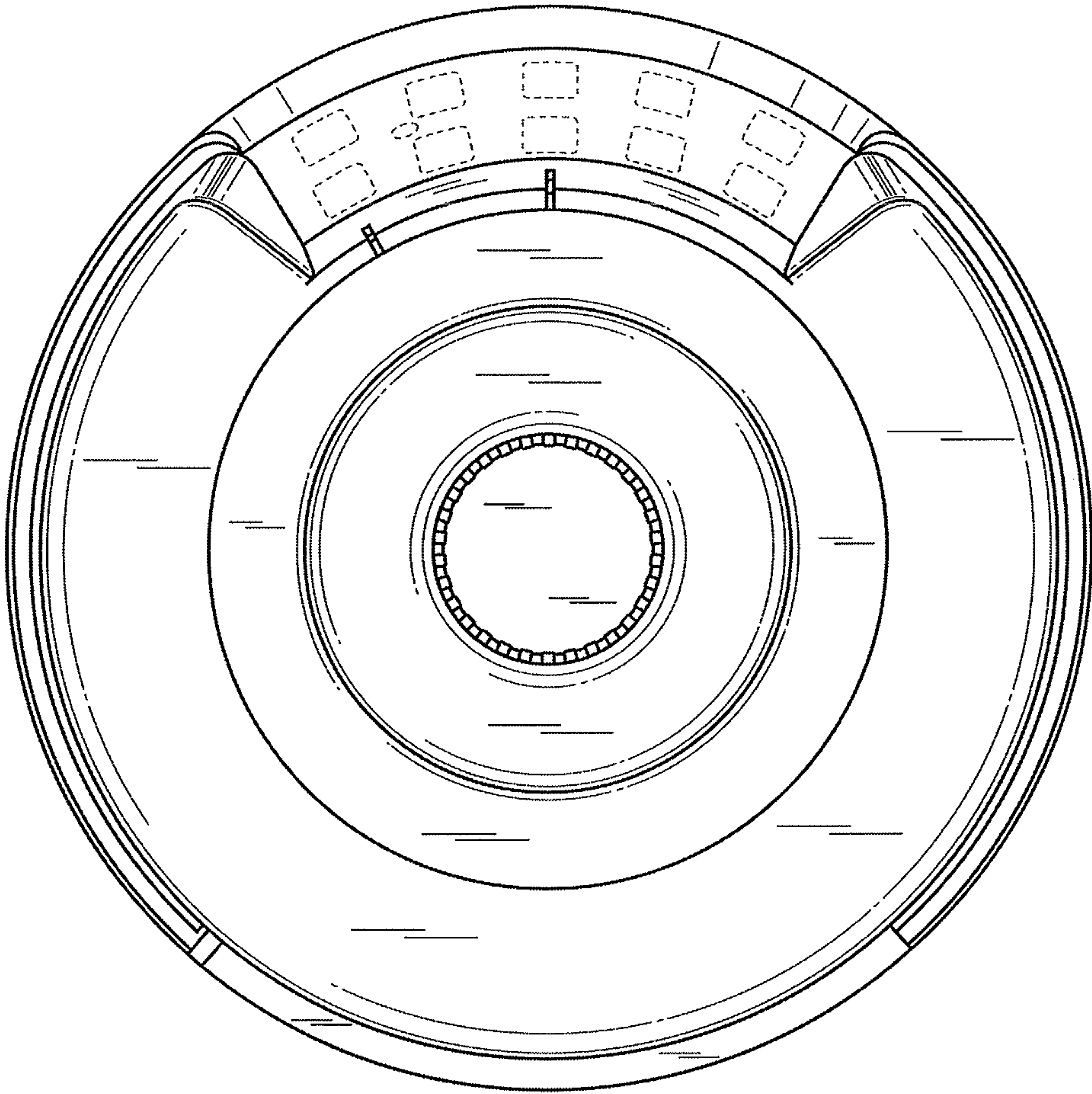


Fig. 2

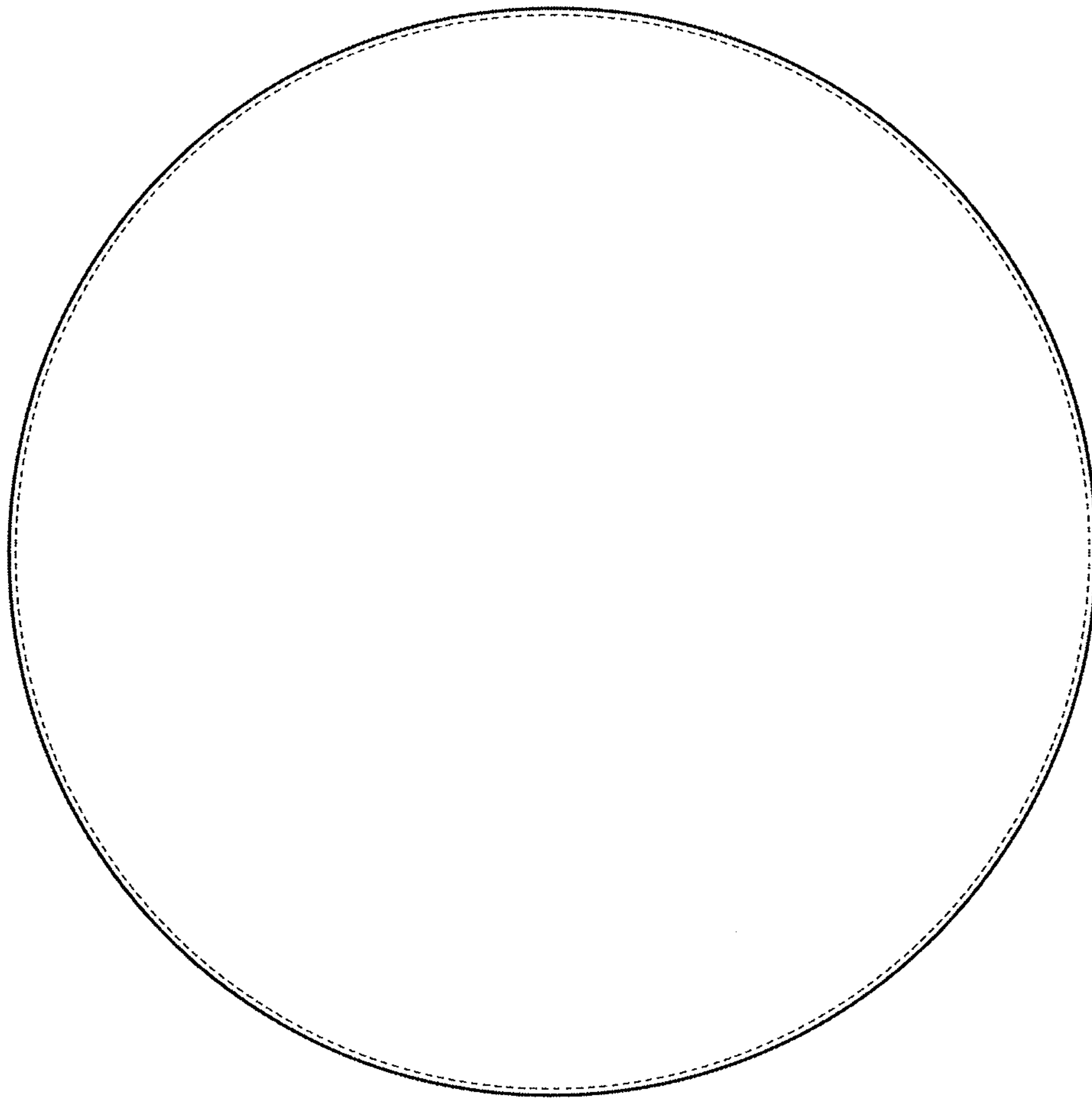


Fig. 3

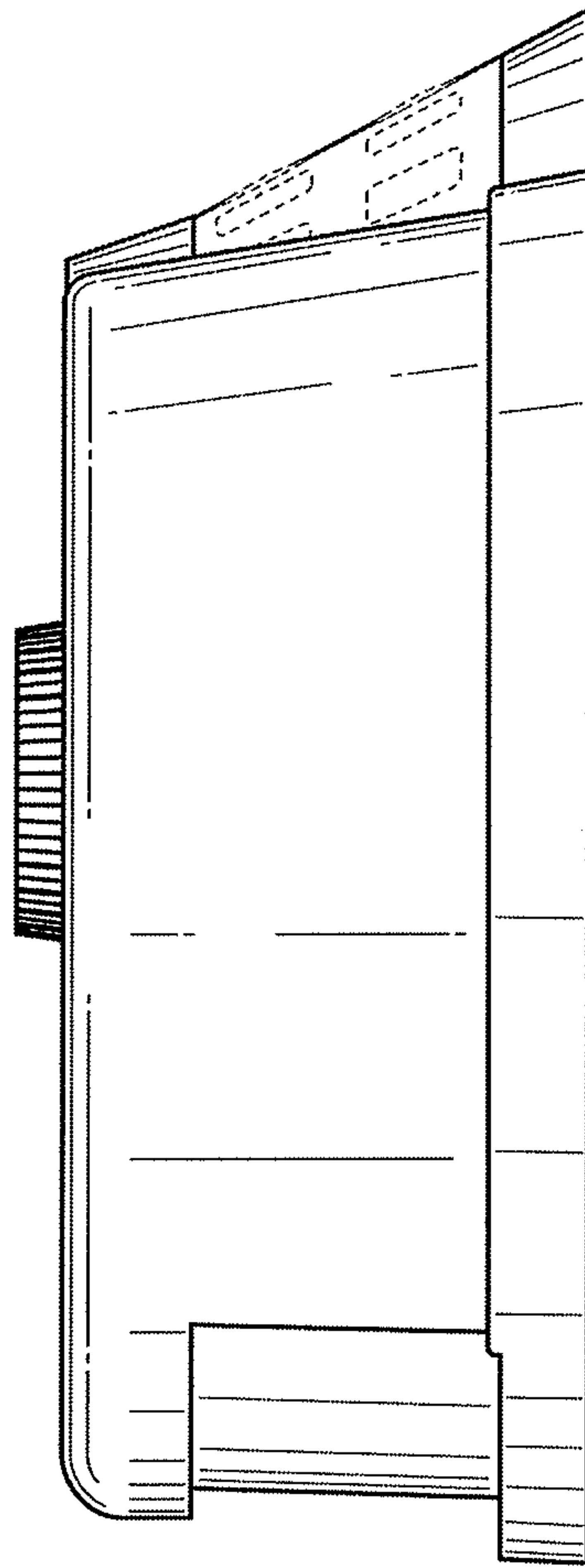


Fig. 4

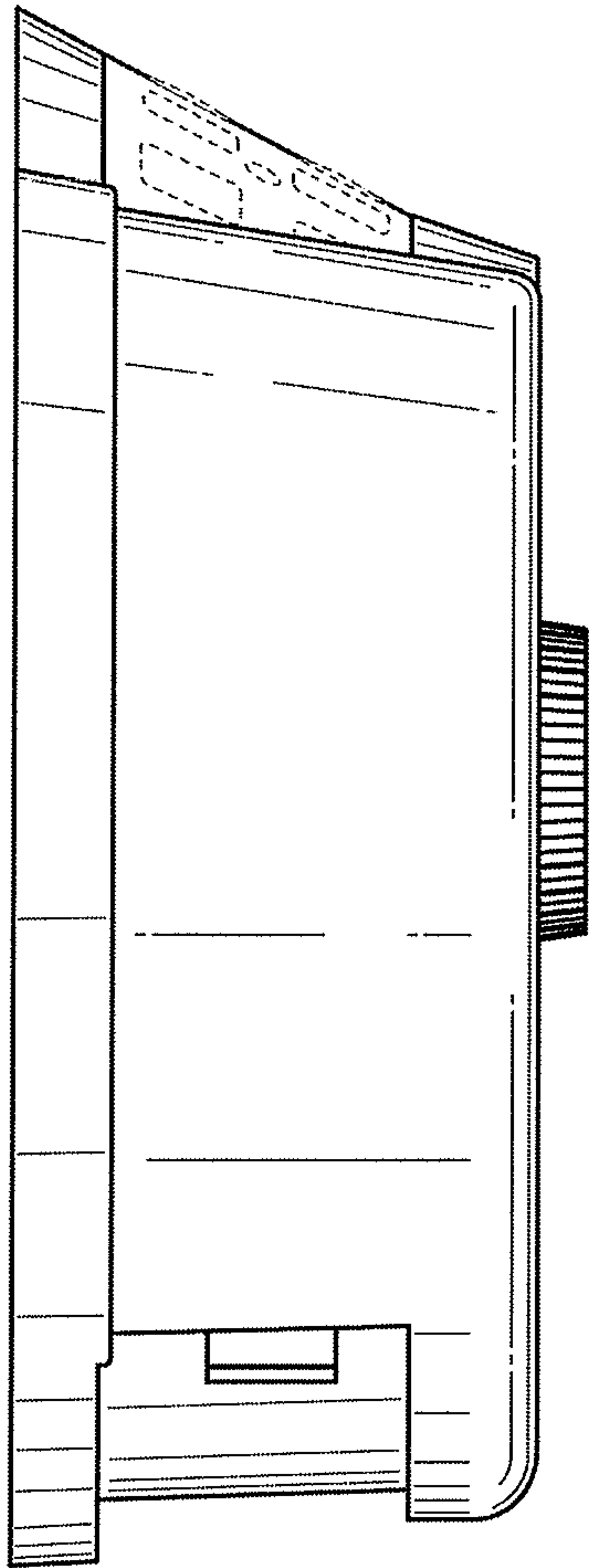


Fig. 5

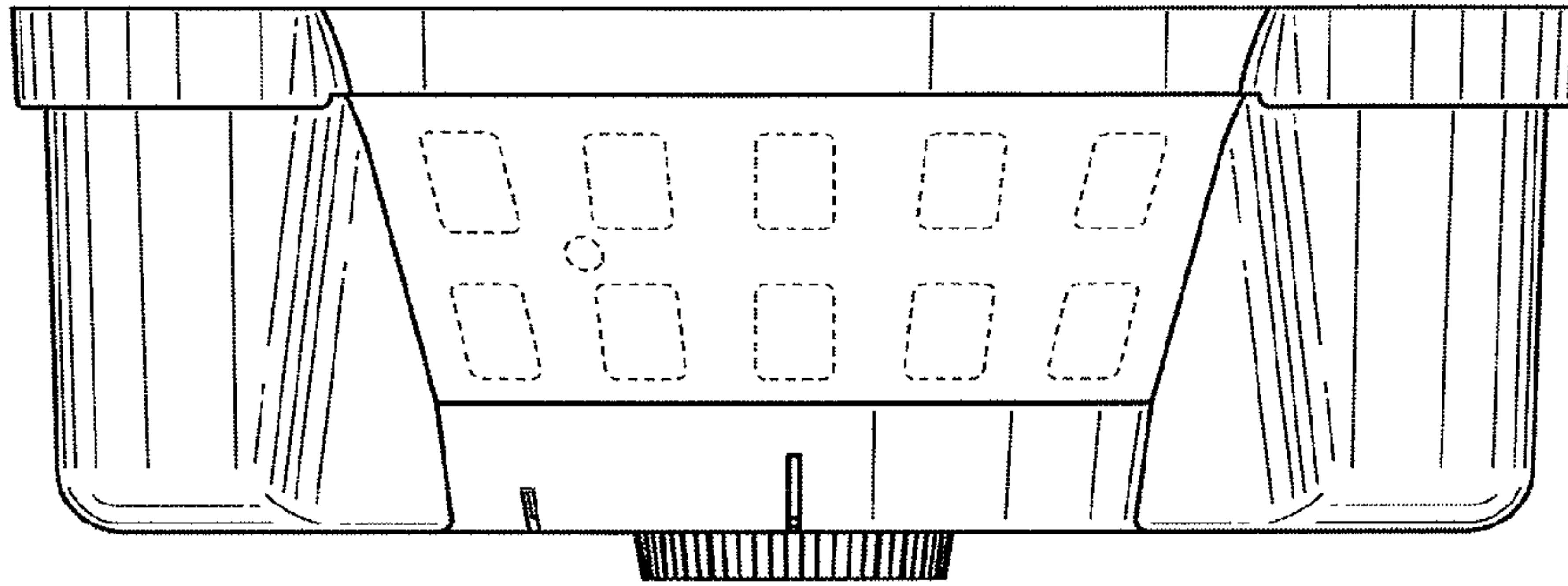


Fig. 6

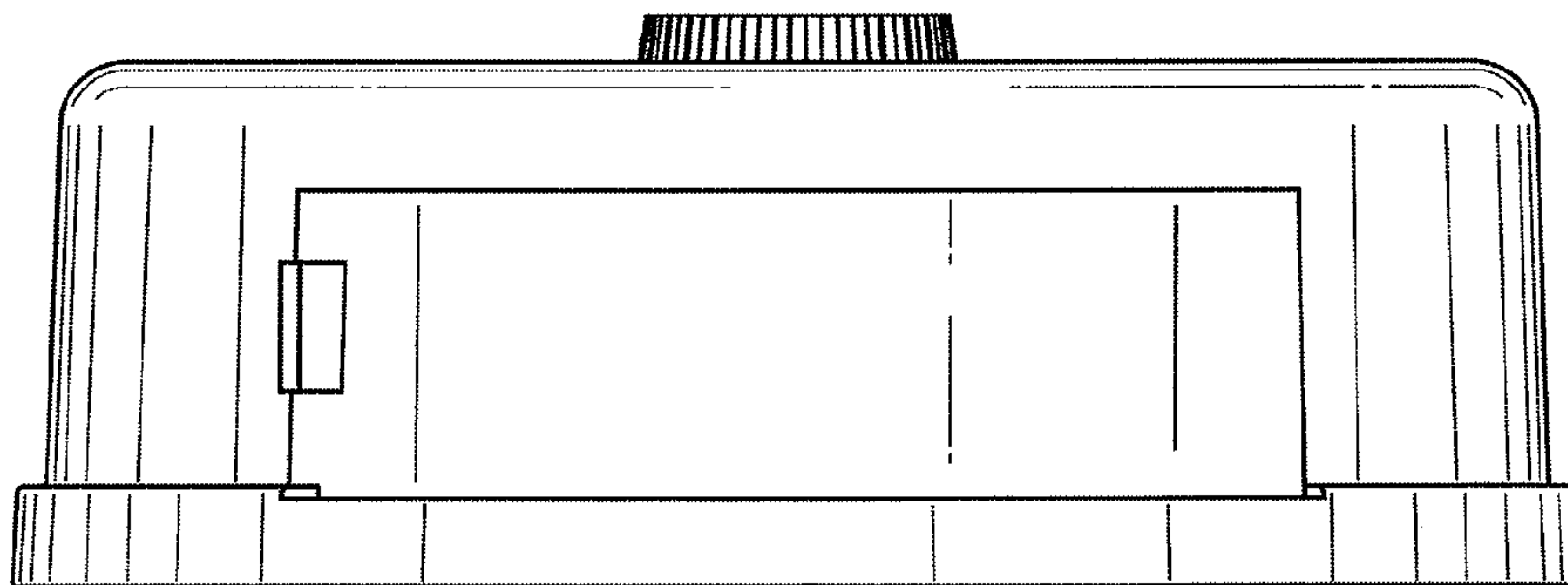


Fig. 7