



US00D770879S

(12) **United States Design Patent**
Quinn

(10) **Patent No.:** **US D770,879 S**

(45) **Date of Patent:** **** Nov. 8, 2016**

(54) **BRACKET**

(71) Applicant: **Thomas A. Quinn**, Carlsbad, CA (US)

(72) Inventor: **Thomas A. Quinn**, Carlsbad, CA (US)

(73) Assignee: **CLEVERMADE, LLC**, Carlsbad, CA (US)

(**) Term: **14 Years**

(21) Appl. No.: **29/516,702**

(22) Filed: **Feb. 5, 2015**

(51) **LOC (10) Cl.** **08-06**

(52) **U.S. Cl.**
USPC **D8/323**

(58) **Field of Classification Search**
USPC D8/330, 328, 381, 356, 323
CPC E05D 3/00
See application file for complete search history.

(56) **References Cited**

U.S. PATENT DOCUMENTS

D240,392 S * 7/1976 Gorton et al. D8/323
D392,175 S * 3/1998 Beck D16/334

D478,495 S * 8/2003 Votruba D8/323
D495,850 S * 9/2004 Washington D8/381
D520,337 S * 5/2006 Alvarado D8/323
D635,435 S * 4/2011 Yamaguchi D8/330
D659,513 S * 5/2012 Lin D8/349
D737,659 S * 9/2015 McMorris D8/330
D744,809 S * 12/2015 Lu D8/323
D745,363 S * 12/2015 Polo Friz D8/323
D758,163 S * 6/2016 Tosin D8/323

* cited by examiner

Primary Examiner — Cynthia Underwood

(74) *Attorney, Agent, or Firm* — Fish & Tsang LLP

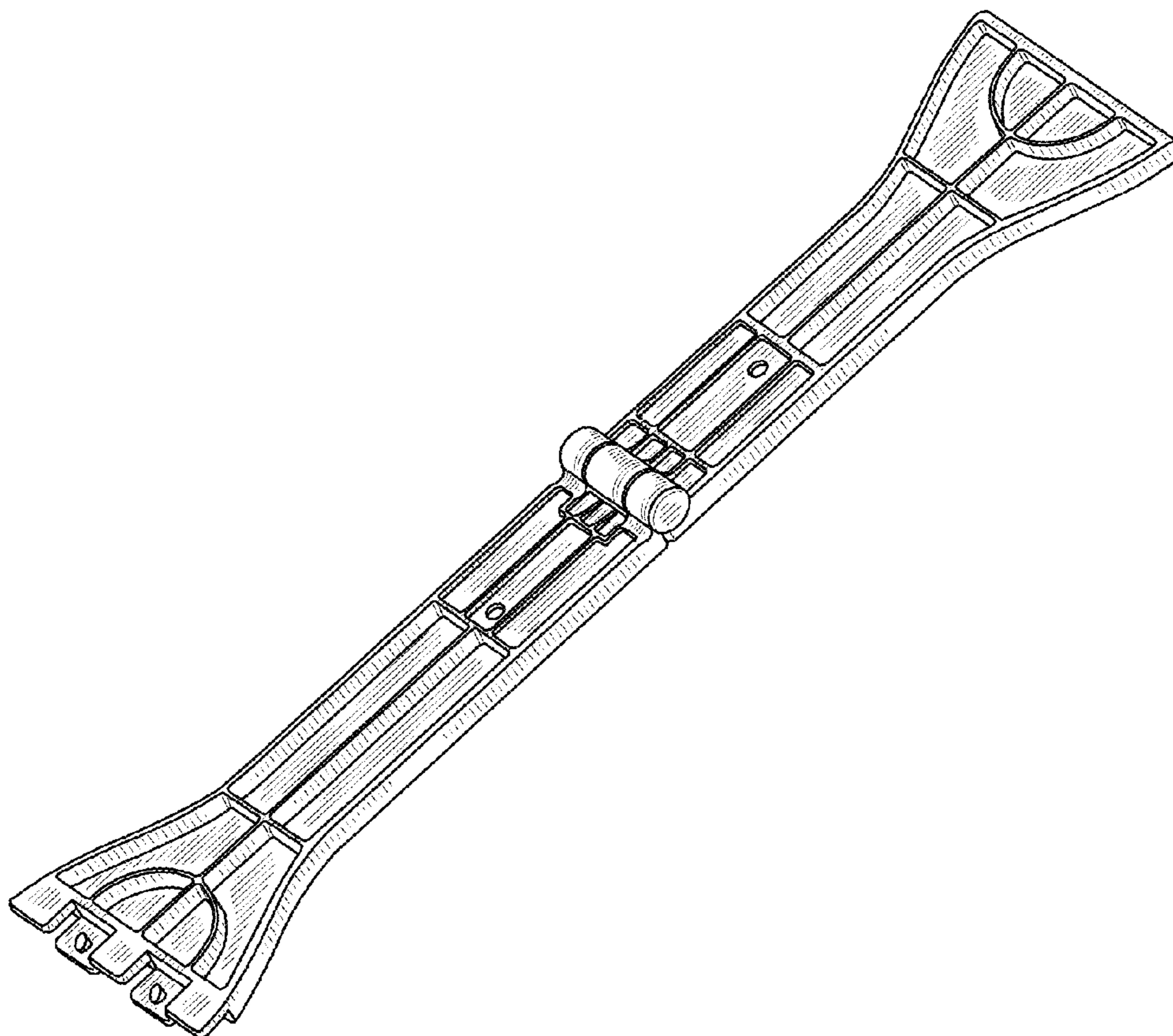
(57) **CLAIM**

The ornamental design for a bracket, as shown and described.

DESCRIPTION

FIG. 1 is a side perspective view of a bracket showing my new design;
FIG. 2 is a front view thereof;
FIG. 3 is a back view thereof;
FIG. 4 is a side view thereof;
FIG. 5 is an opposite side view thereof;
FIG. 6 is a top view thereof; and,
FIG. 7 is a bottom view thereof.

1 Claim, 4 Drawing Sheets



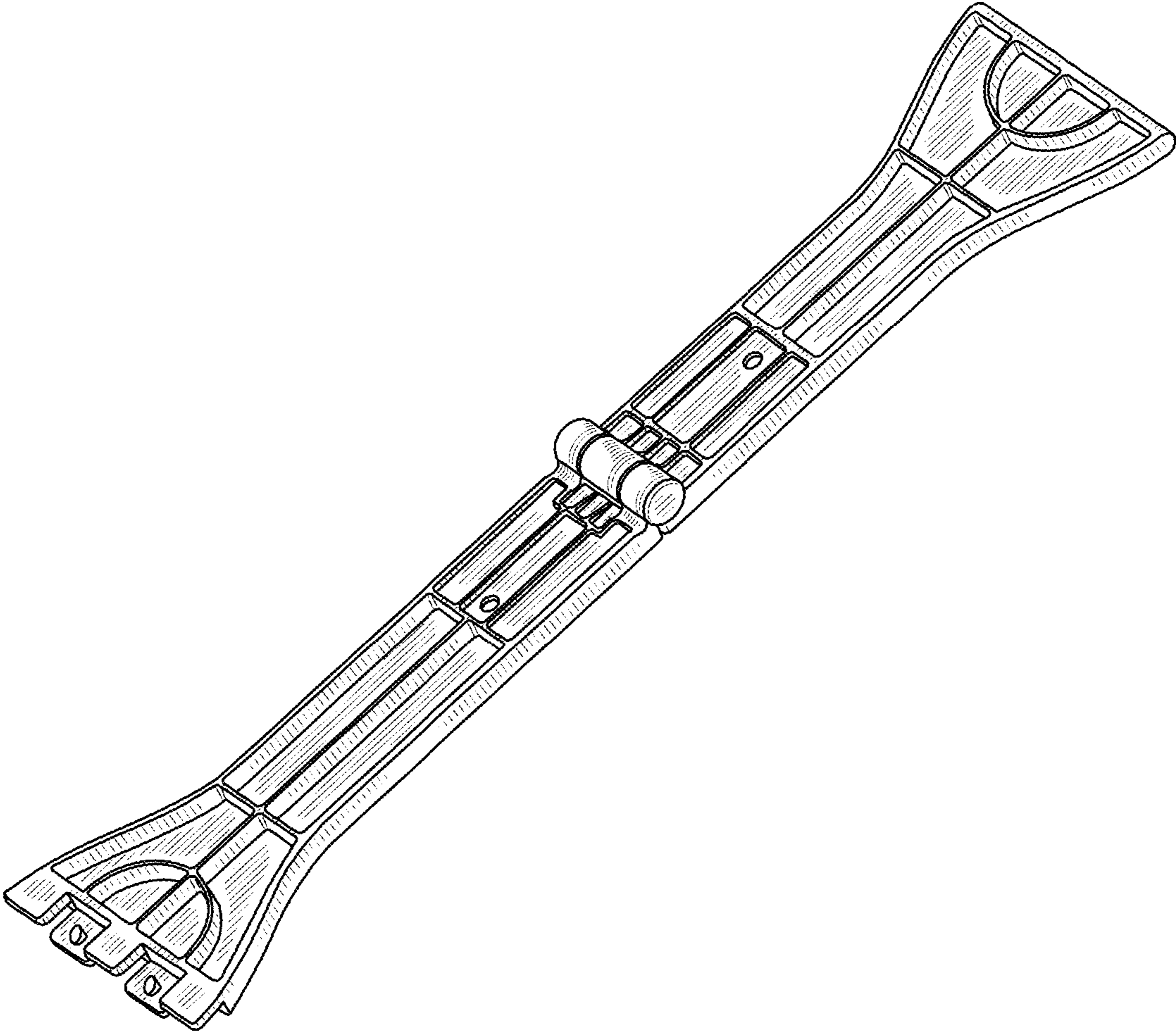


FIG. 1

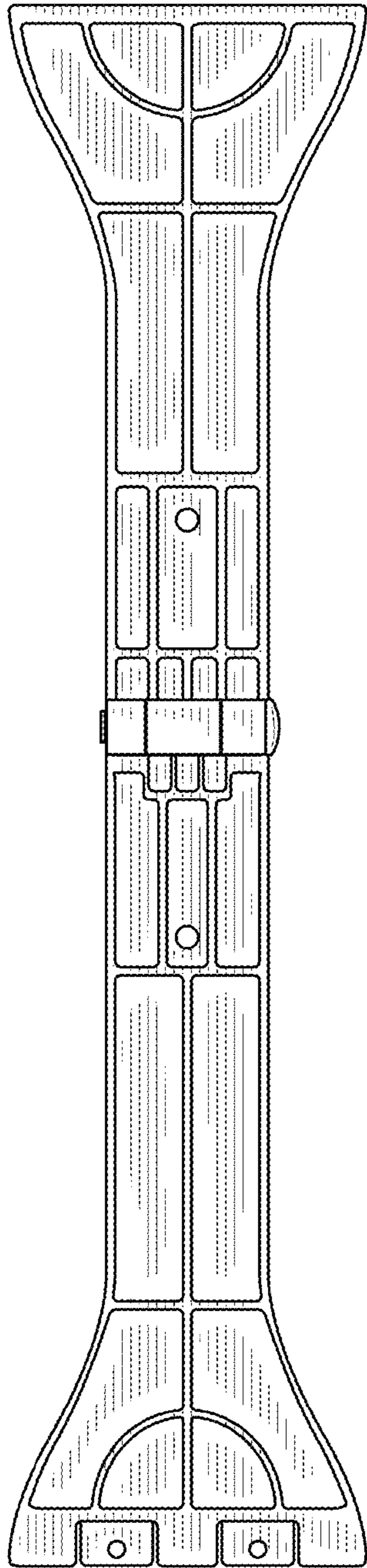


FIG. 2

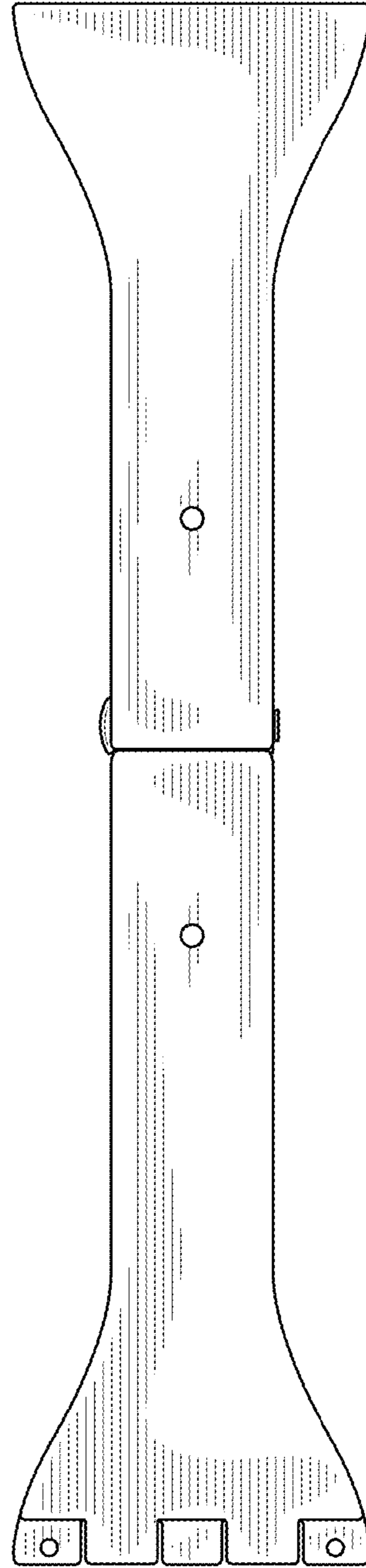


FIG. 3



FIG. 4

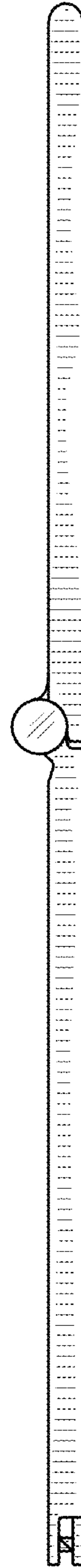


FIG. 5

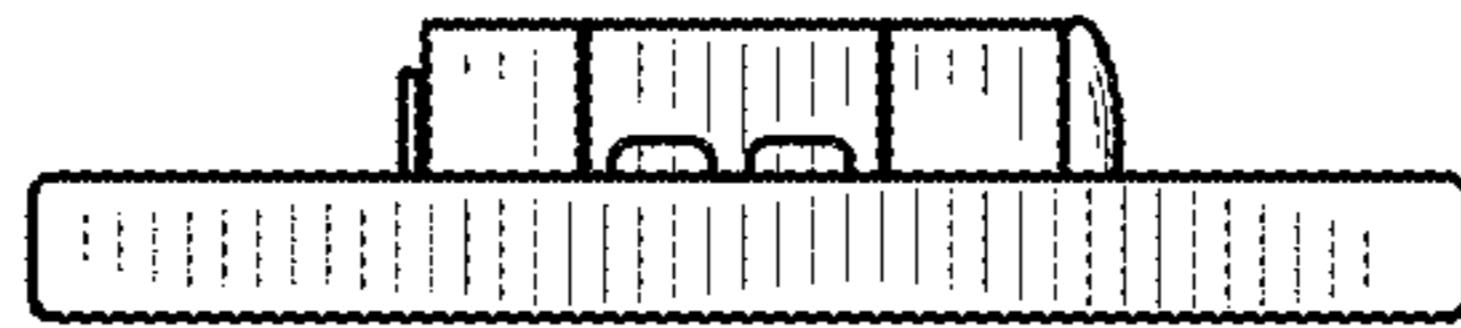


FIG. 6

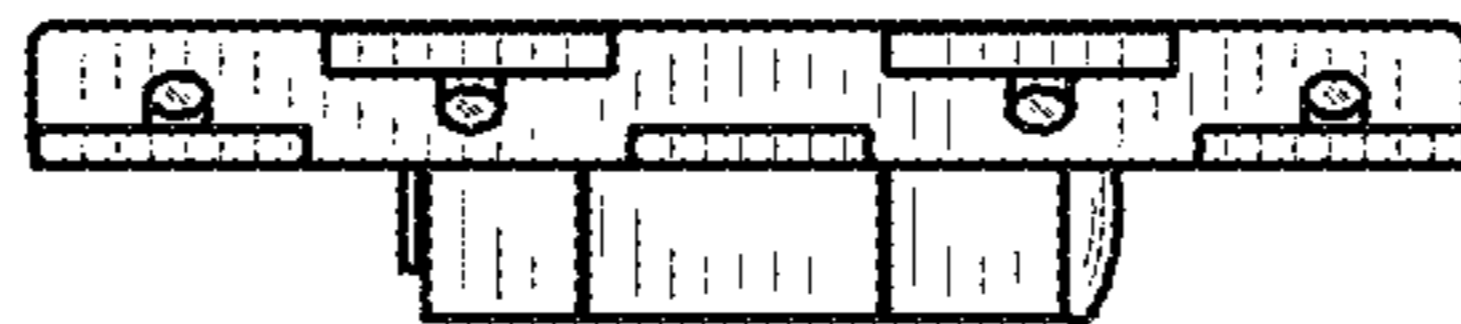


FIG. 7