



US00D770878S

(12) **United States Design Patent**  
**Smither**

(10) **Patent No.:** **US D770,878 S**

(45) **Date of Patent:** **\*\* Nov. 8, 2016**

(54) **SHAPED PROTECTIVE COVER FOR A PUSH BAR OF EXIT DOOR**

(71) Applicant: **Kevin S. Smither**, Boca Raton, FL (US)

(72) Inventor: **Kevin S. Smither**, Boca Raton, FL (US)

(73) Assignee: **ProTecBar, LLC**, Louisville, KY (US)

(\*\*) Term: **14 Years**

(21) Appl. No.: **29/497,454**

(22) Filed: **Jul. 24, 2014**

(51) **LOC (10) Cl.** ..... **08-06**

(52) **U.S. Cl.**  
USPC ..... **D8/322**

(58) **Field of Classification Search**  
USPC ..... D8/315-322, 343, 300, 301, 349,  
D8/DIG. 1; 16/412, 413, 422, 430, 436,  
16/902, 904; 49/460, 462; 52/717.01,  
52/716.1

CPC ..... A45C 13/22; A45C 13/28; A45C 13/26;  
E05B 1/0066; E05B 65/1059; B25G 1/10;  
B24B 29/06; E06B 7/285

See application file for complete search history.

(56) **References Cited**

**U.S. PATENT DOCUMENTS**

- 2,576,511 A \* 11/1951 Jewett ..... E05B 1/0015  
16/402
- 2,753,911 A \* 7/1956 Haslett ..... E05B 1/0061  
150/155
- 4,856,140 A \* 8/1989 Visco ..... E03D 9/00  
150/155
- D313,336 S \* 1/1991 Williams ..... D8/322

- D328,812 S \* 8/1992 Pritchett ..... D34/27
- D370,110 S \* 5/1996 Beam ..... D34/27
- 6,715,225 B1 \* 4/2004 Frolov ..... E05B 65/1053  
292/336.3
- D511,956 S \* 11/2005 Elwell ..... D8/305
- 6,966,101 B2 \* 11/2005 Chiang ..... E05B 1/0015  
16/412
- 7,219,394 B2 \* 5/2007 Wu ..... E05B 1/0015  
16/412
- 8,375,225 B1 \* 2/2013 Ybarra ..... G06F 21/60  
380/44
- D722,859 S \* 2/2015 Smither ..... D8/322
- 9,194,156 B2 \* 11/2015 Simon ..... E05B 1/0069

\* cited by examiner

*Primary Examiner* — Prabhakar Deshmukh

(74) *Attorney, Agent, or Firm* — Bingham Greenebaum  
Doll LLP; James C. Eaves, Jr.; Brian W. Chellgren

(57) **CLAIM**

The ornamental design for a shaped protective cover for a push bar of exit door, as shown and described.

**DESCRIPTION**

FIG. 1 is a bottom rear perspective view of a shaped protective cover for a push bar of exit door showing my new design;

FIG. 2 is a top front perspective view thereof;

FIG. 3 is a front elevational view thereof;

FIG. 4 is a rear elevational view thereof;

FIG. 5 is a top view of the shaped protective cover for a door fixture exit push bar of the present design;

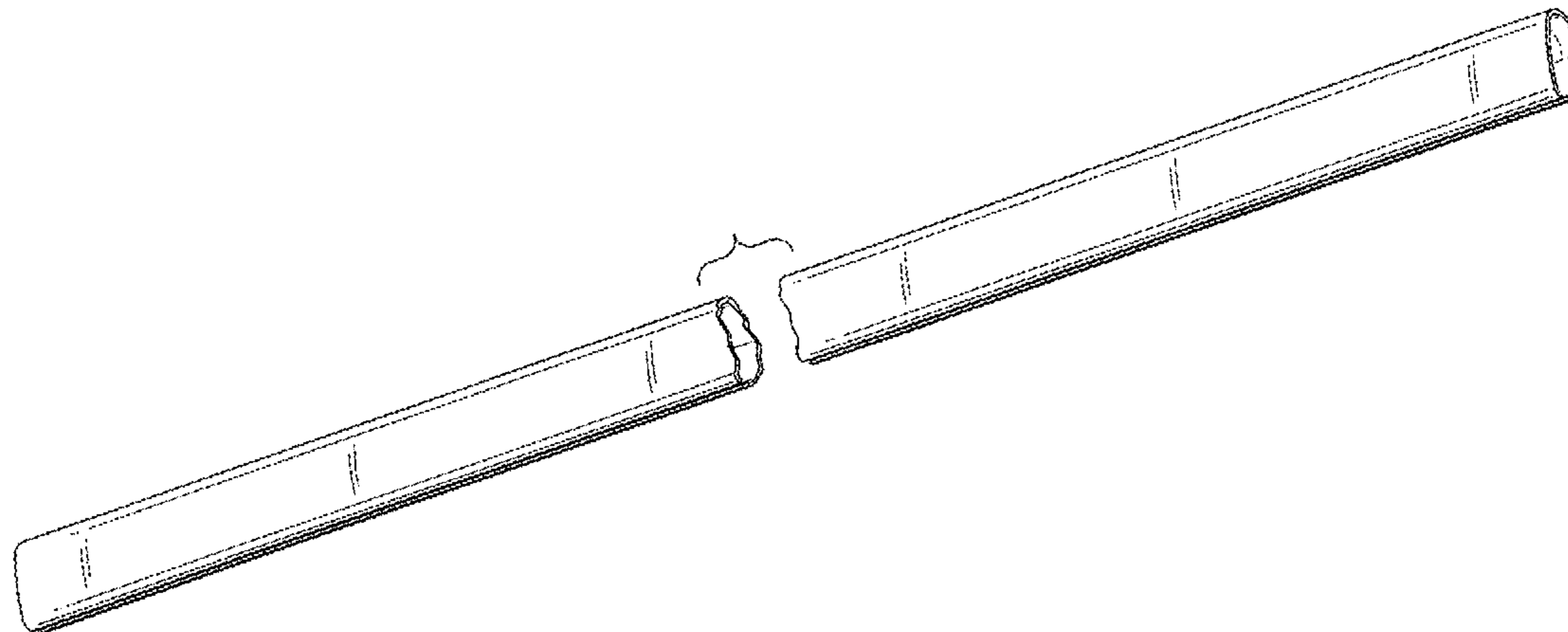
FIG. 6 is a top plan view thereof;

FIG. 7 is an enlarged left side elevational view thereof; and,

FIG. 8 is an enlarged right side elevational view thereof.

The break lines portions indicate indeterminate length. The portions between break lines form no part of the claimed design.

**1 Claim, 7 Drawing Sheets**



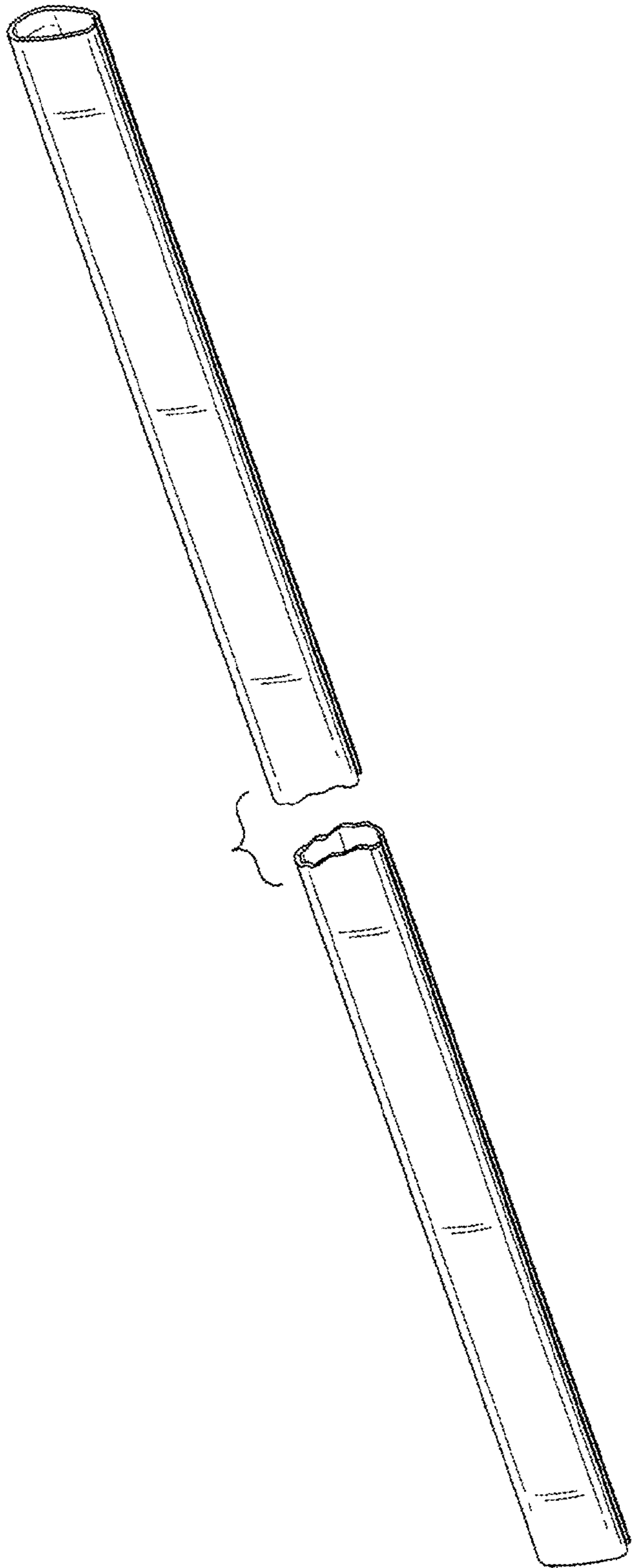


FIG. 1

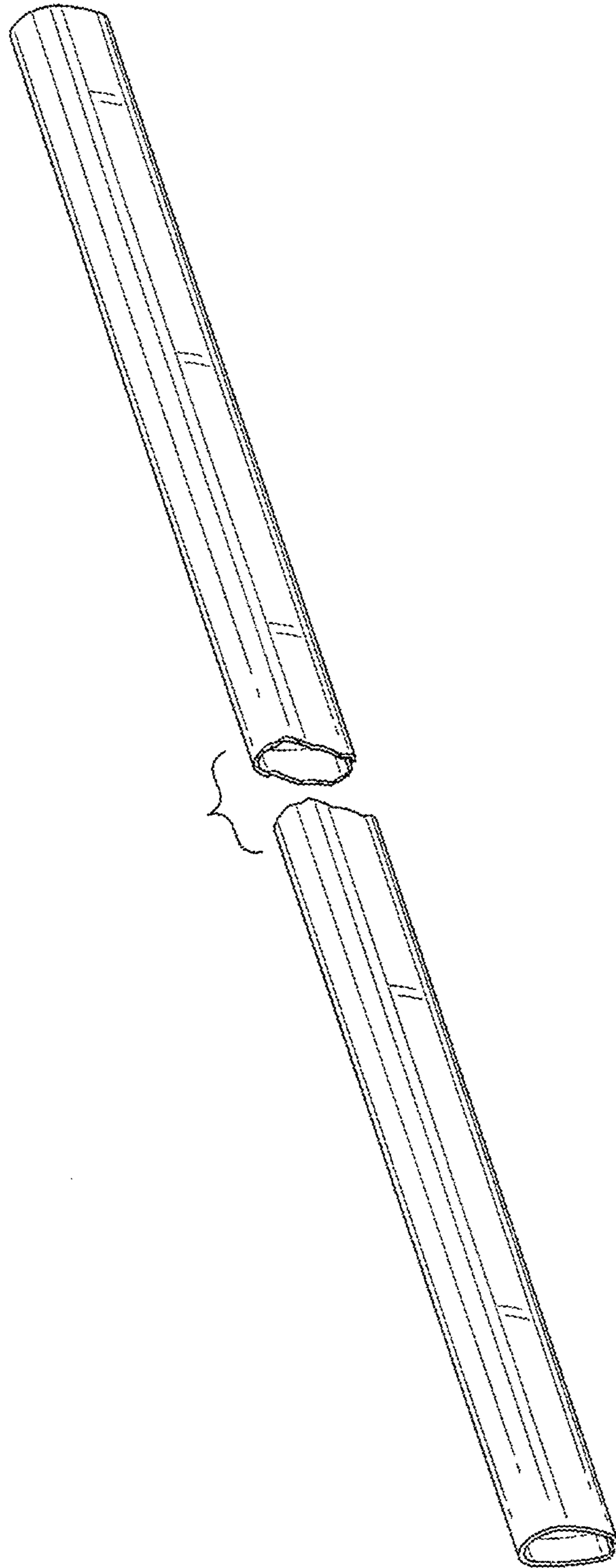


FIG. 2



FIG. 3



FIG. 4

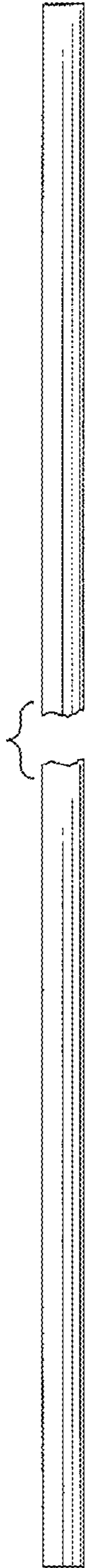


FIG. 5



FIG. 6

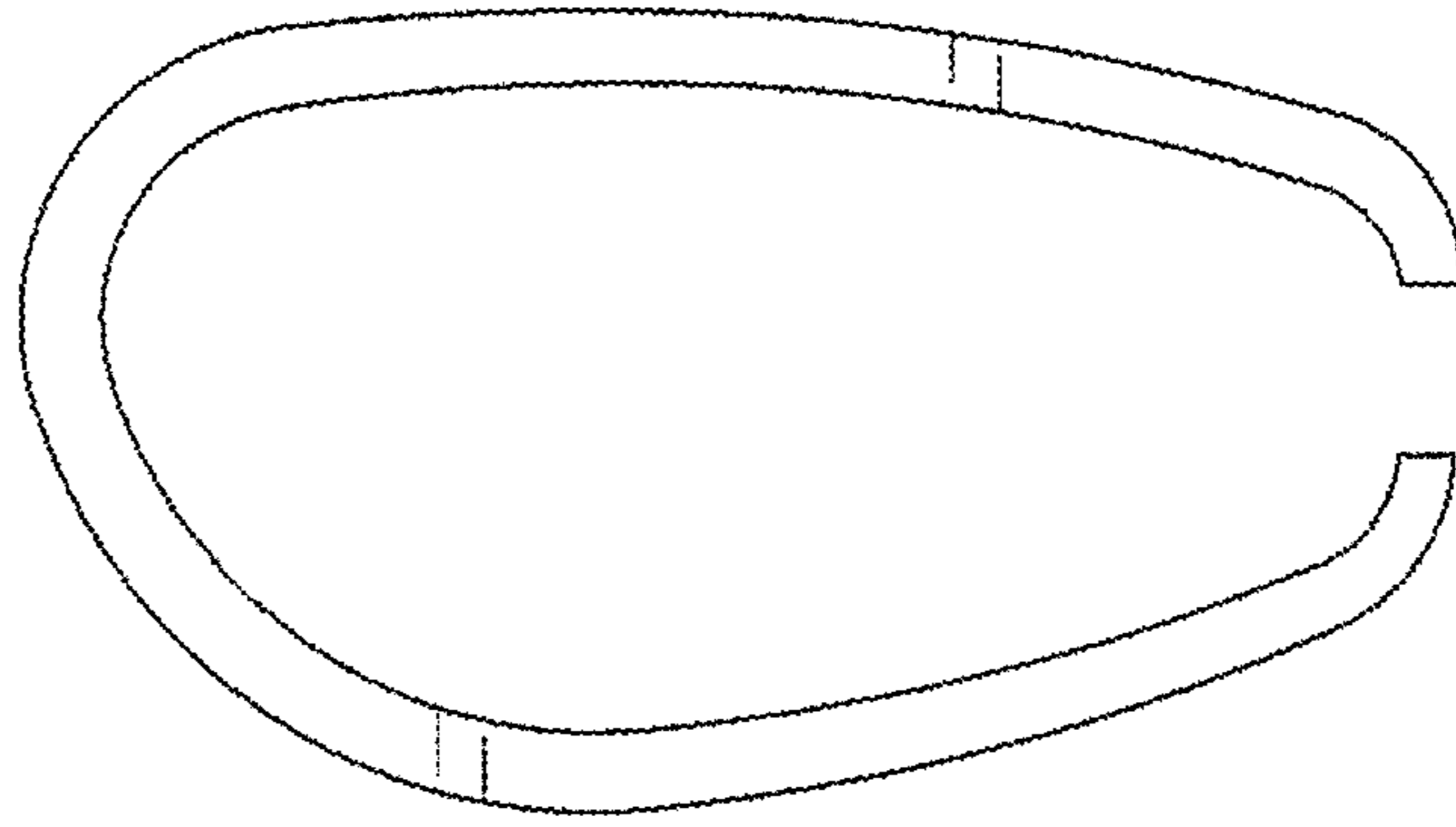


FIG. 8

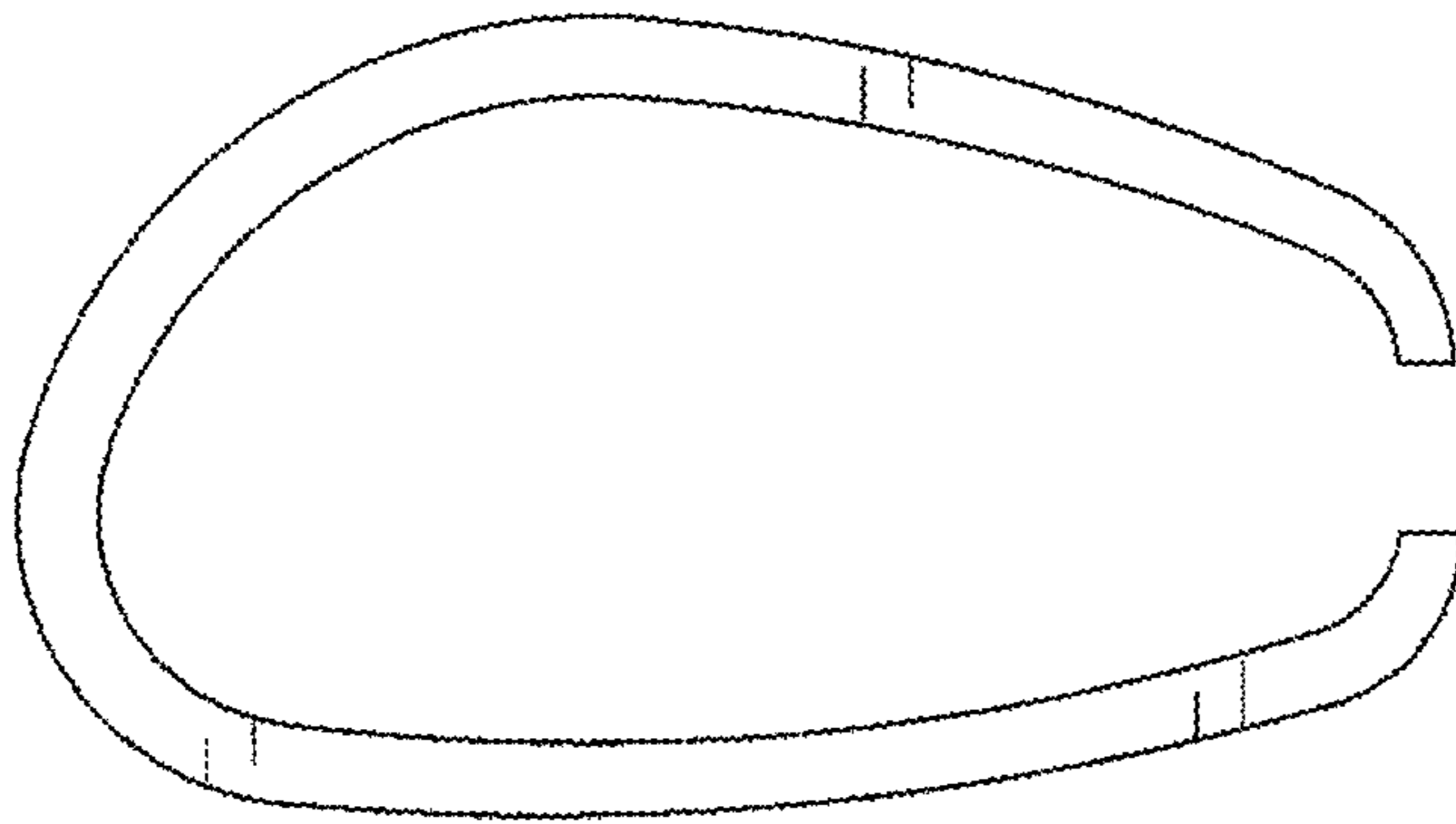


FIG. 7