



US00D770876S

(12) **United States Design Patent** (10) **Patent No.:** **US D770,876 S**
Chen (45) **Date of Patent:** **** Nov. 8, 2016**

(54) **SCREWDRIVER BIT**

(71) Applicant: **JEI MOU INDUSTRIAL CO., LTD.,**
Taichung (TW)

(72) Inventor: **Bo-Shen Chen,** Taichung County (TW)

(73) Assignee: **JeI Mou Industrial Co., Ltd.,** Taichung
(TW)

(**) Term: **15 Years**

(21) Appl. No.: **29/535,217**

(22) Filed: **Aug. 4, 2015**

(51) **LOC (10) Cl.** **08-04**

(52) **U.S. Cl.**
USPC **D8/86**

(58) **Field of Classification Search**
USPC D8/14, 21, 29, 85, 86, 70, 82, 83, 84,
D8/87; D19/183, 180, 115, 176
CPC B25B 23/021; B25B 23/0035; B25B
23/0007; B25B 23/0042; B25B 15/001
See application file for complete search history.

(56) **References Cited**

U.S. PATENT DOCUMENTS

D588,893 S * 3/2009 Radich D8/70
D644,903 S * 9/2011 Chen D8/86

D682,352 S * 5/2013 Levy D19/154
D695,584 S * 12/2013 Chen D8/70
D704,022 S * 5/2014 Hsu D8/86
D707,524 S * 6/2014 Chen D8/86
D711,719 S * 8/2014 DeBaker D8/86
D753,979 S * 4/2016 Liu D8/86

* cited by examiner

Primary Examiner — Phillip S Hyder

(74) *Attorney, Agent, or Firm* — Wang Law Firm, Inc.

(57) **CLAIM**

The ornamental design for a screwdriver bit, as shown.

DESCRIPTION

FIG. 1 is a perspective view of a screwdriver bit showing my new design;

FIG. 2 is a front view thereof;

FIG. 3 is a rear view thereof;

FIG. 4 is a left side view thereof;

FIG. 5 is a right side view thereof;

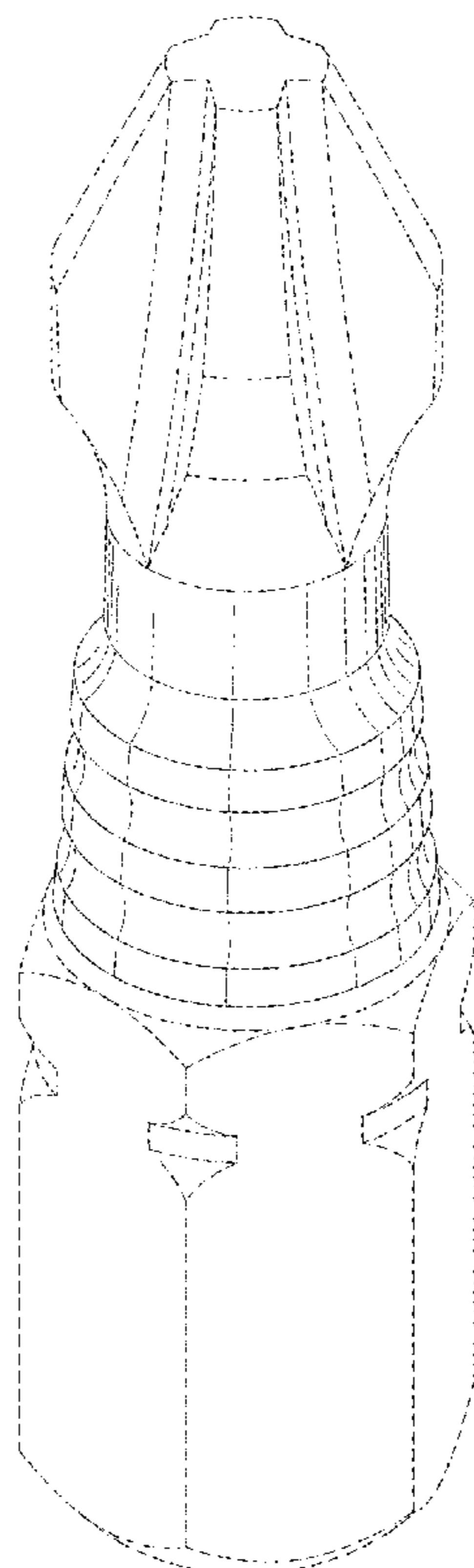
FIG. 6 is a top plan view thereof;

FIG. 7 is a bottom plan view thereof; and,

FIG. 8. is another perspective view thereof, wherein the broken line portions of the screwdriver bit differ from the bit depicted in FIGS. 1 through 7.

The broken lines depict portions of the screwdriver bit in which the design is embodied that are not considered part of the claimed design.

1 Claim, 7 Drawing Sheets



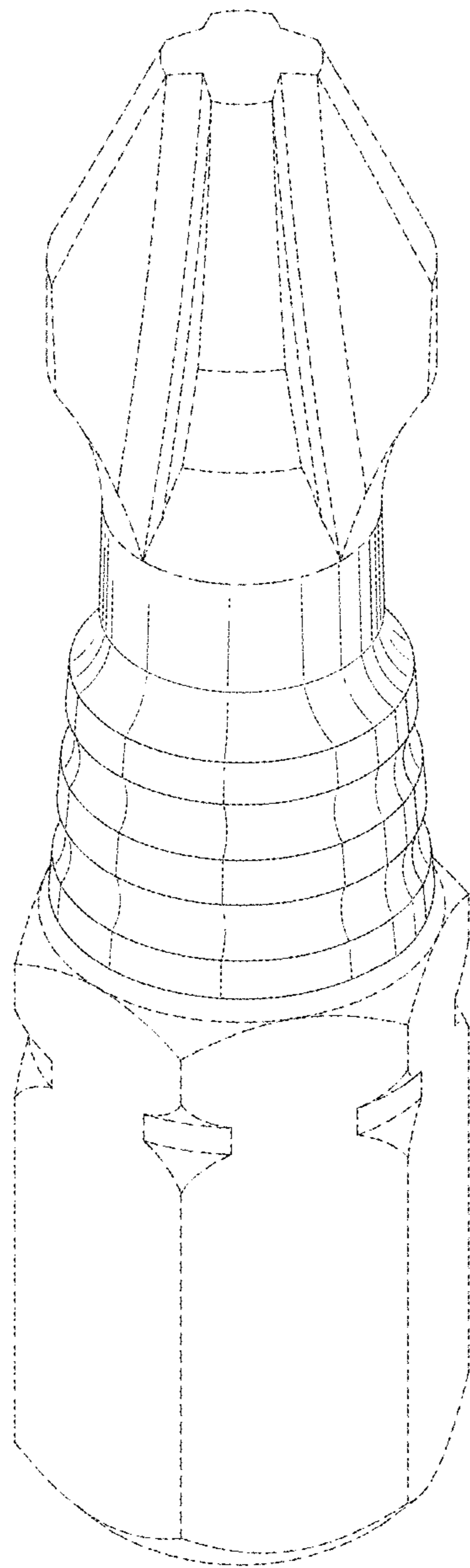


FIG.1

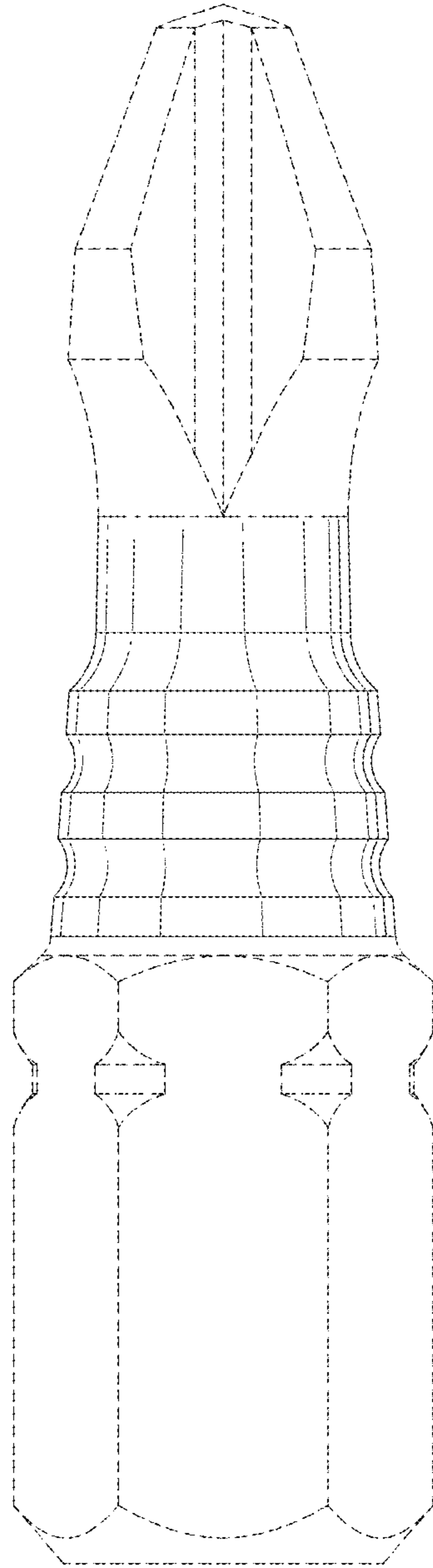


FIG.2

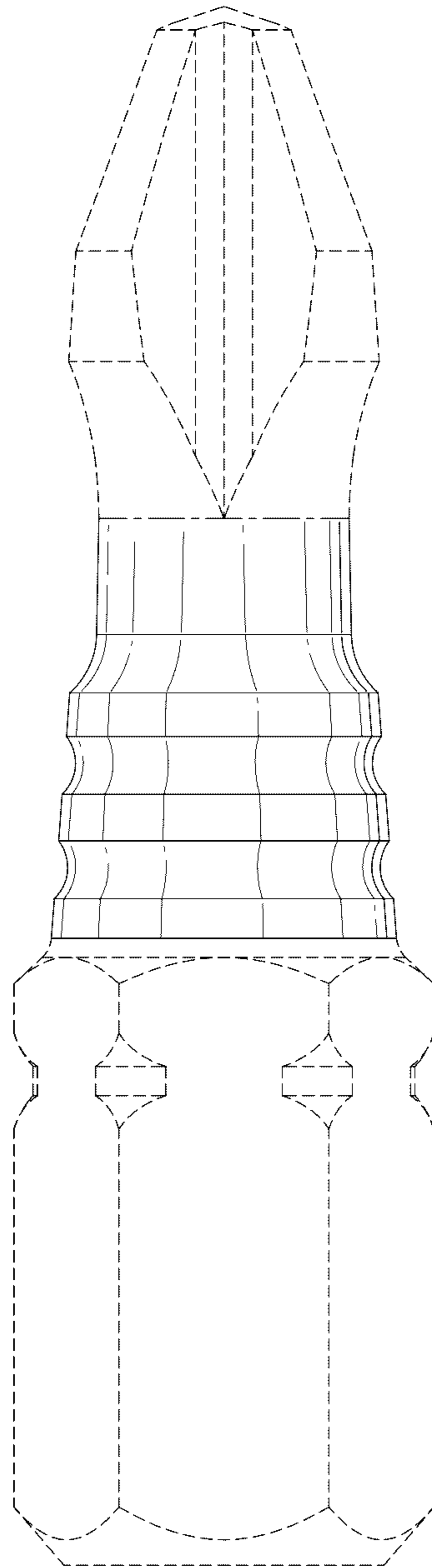


FIG.3

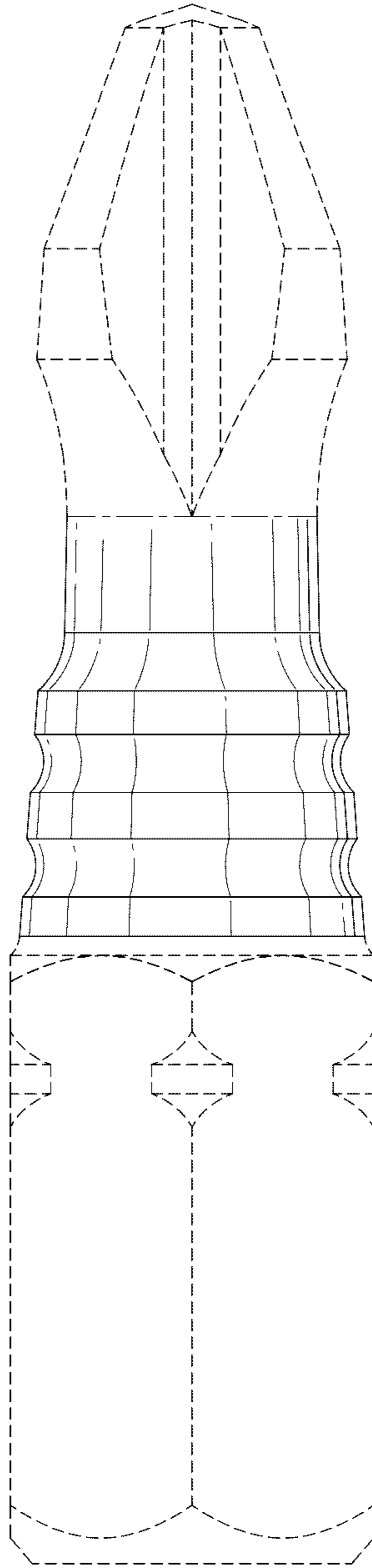


FIG.4

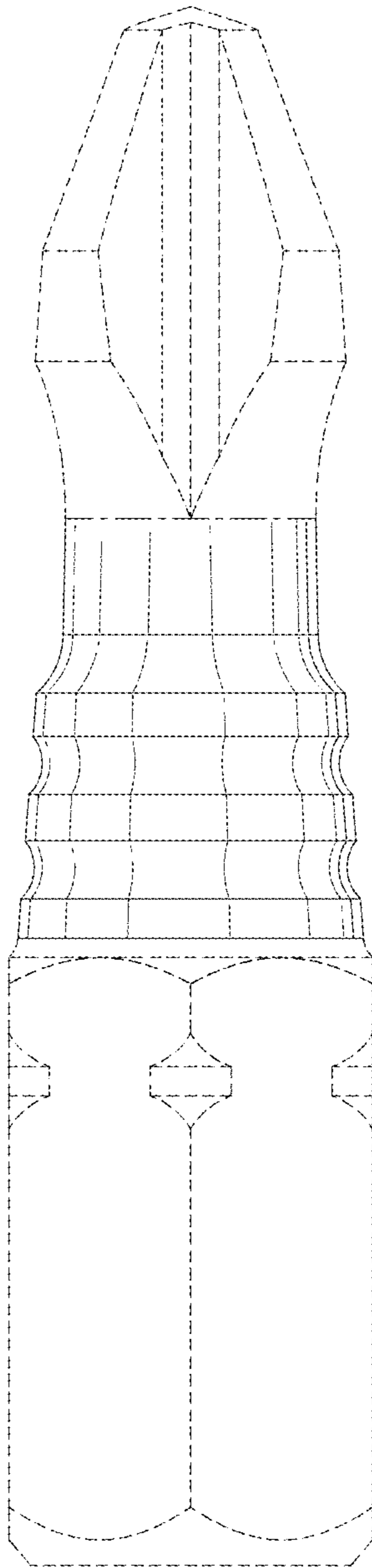


FIG.5

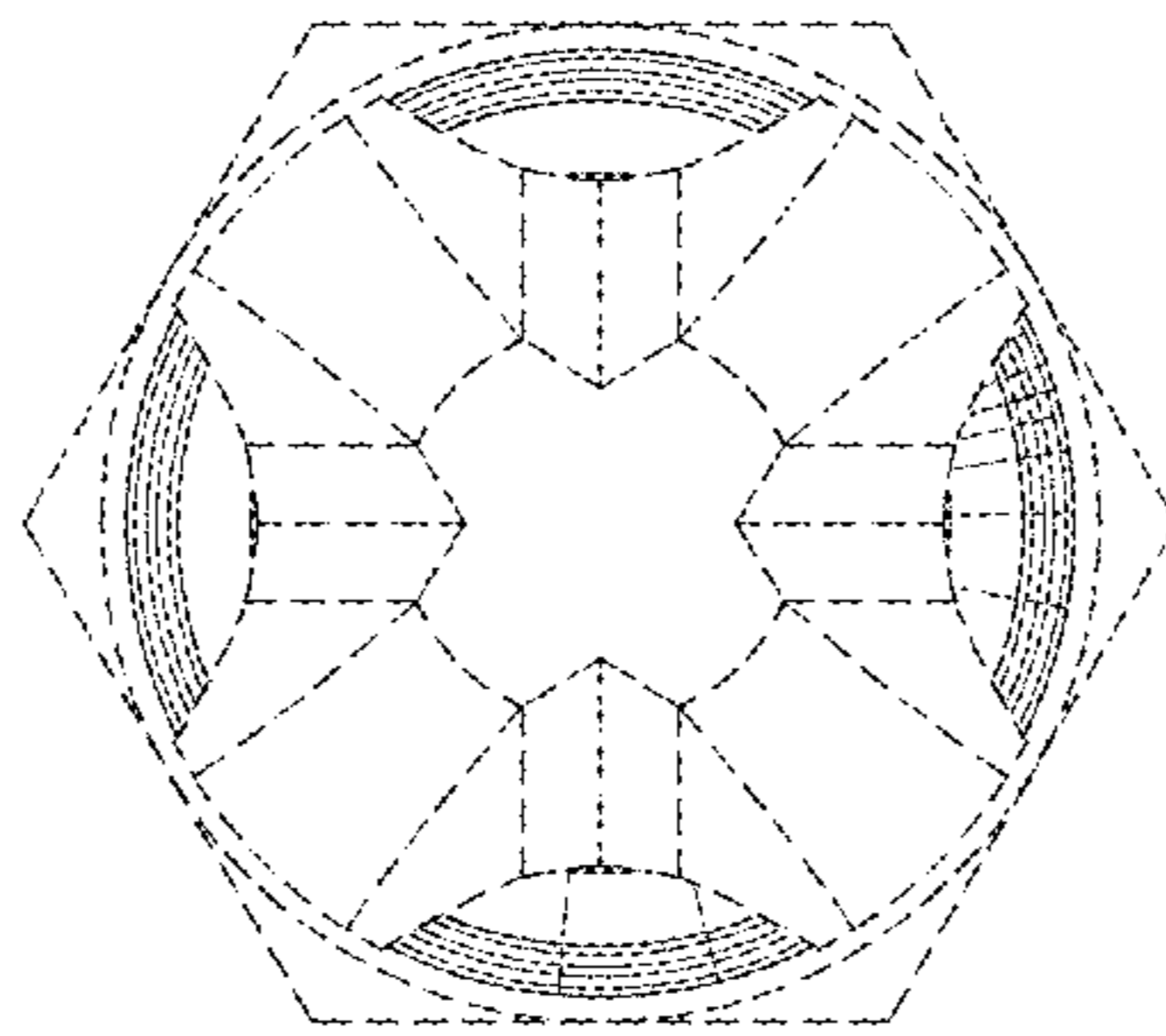


FIG. 6

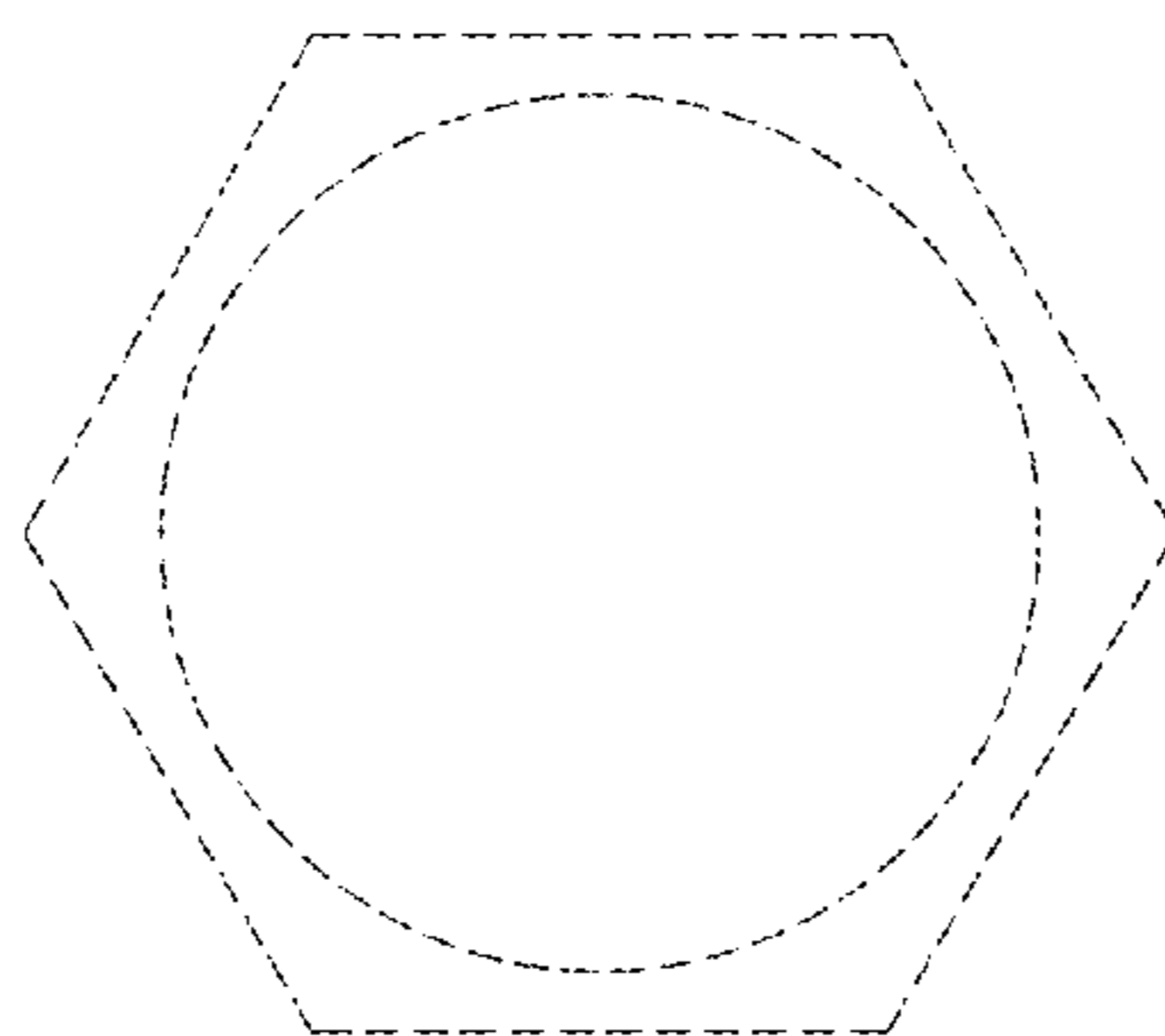


FIG. 7

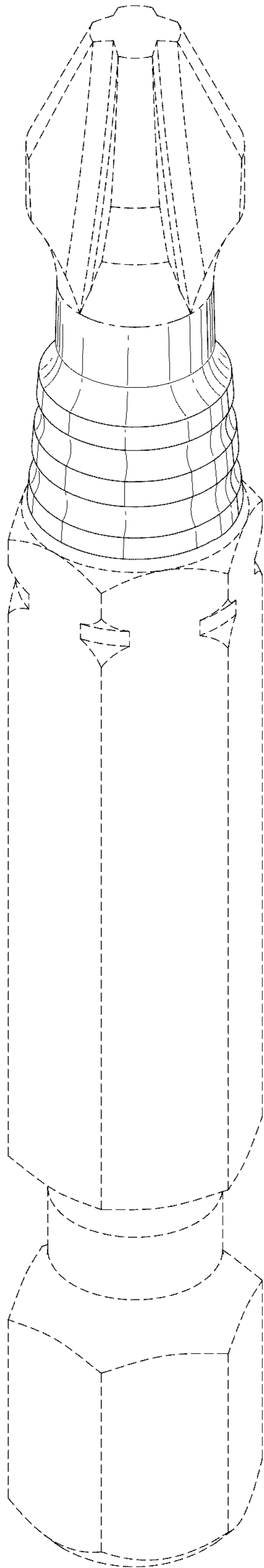


FIG.8