



US00D770872S

(12) **United States Design Patent** (10) **Patent No.:** **US D770,872 S**
Gledhill et al. (45) **Date of Patent:** **** Nov. 8, 2016**

(54) **DEMOUNT TOOL** 6,824,172 B1 * 11/2004 Komolro-
chanaporn F16L 37/0925
285/105
(71) Applicant: **Reliance Worldwide Corporation,**
Cullman, AL (US) D535,727 S * 1/2007 Joseph D23/259
D571,195 S * 6/2008 Larsen D8/394
D574,228 S * 8/2008 Johansson D8/396
(72) Inventors: **Jeremy A. Gledhill,** Eltham (AU);
Peter D. Graham, Wakefield (GB) D607,313 S * 1/2010 Larocque D8/394
8,029,341 B2 * 10/2011 Belly B24B 13/01
451/259
(73) Assignee: **Reliance Worldwide Corporation,**
Cullman, AL (US) 8,322,755 B2 12/2012 Kluss et al.
D676,940 S 2/2013 Kluss et al.
D676,941 S 2/2013 Kluss et al.
D676,942 S 2/2013 Kluss et al.
D676,943 S 2/2013 Kluss et al.
(**) Term: **15 Years** D717,408 S * 11/2014 Malaker D23/262

(Continued)

(21) Appl. No.: **29/526,805**
(22) Filed: **May 13, 2015**
(51) **LOC (10) Cl.** **08-05**
(52) **U.S. Cl.**
USPC **D8/17**
(58) **Field of Classification Search**
USPC D8/394, 395, 396, 382, 72, 354, 356,
D8/355, 73, 371, 377, 17, 349, 386;
248/68.1, 74.3, 62; 285/377; D23/259,
D23/262, 266
CPC F16L 23/08; F16L 3/085; F16L 3/221;
F16L 3/137; F16L 3/08; E21F 17/02; Y10S
248/913; A44B 21/00
See application file for complete search history.

FOREIGN PATENT DOCUMENTS

AU 360660 3/2015
AU 360661 3/2015

(Continued)

Primary Examiner — Ralf Seifert
(74) *Attorney, Agent, or Firm* — Bush Intellectual
Property Law; Kenneth M. Bush

(57) **CLAIM**

We claim the ornamental design for a demount tool, as shown and described.

DESCRIPTION

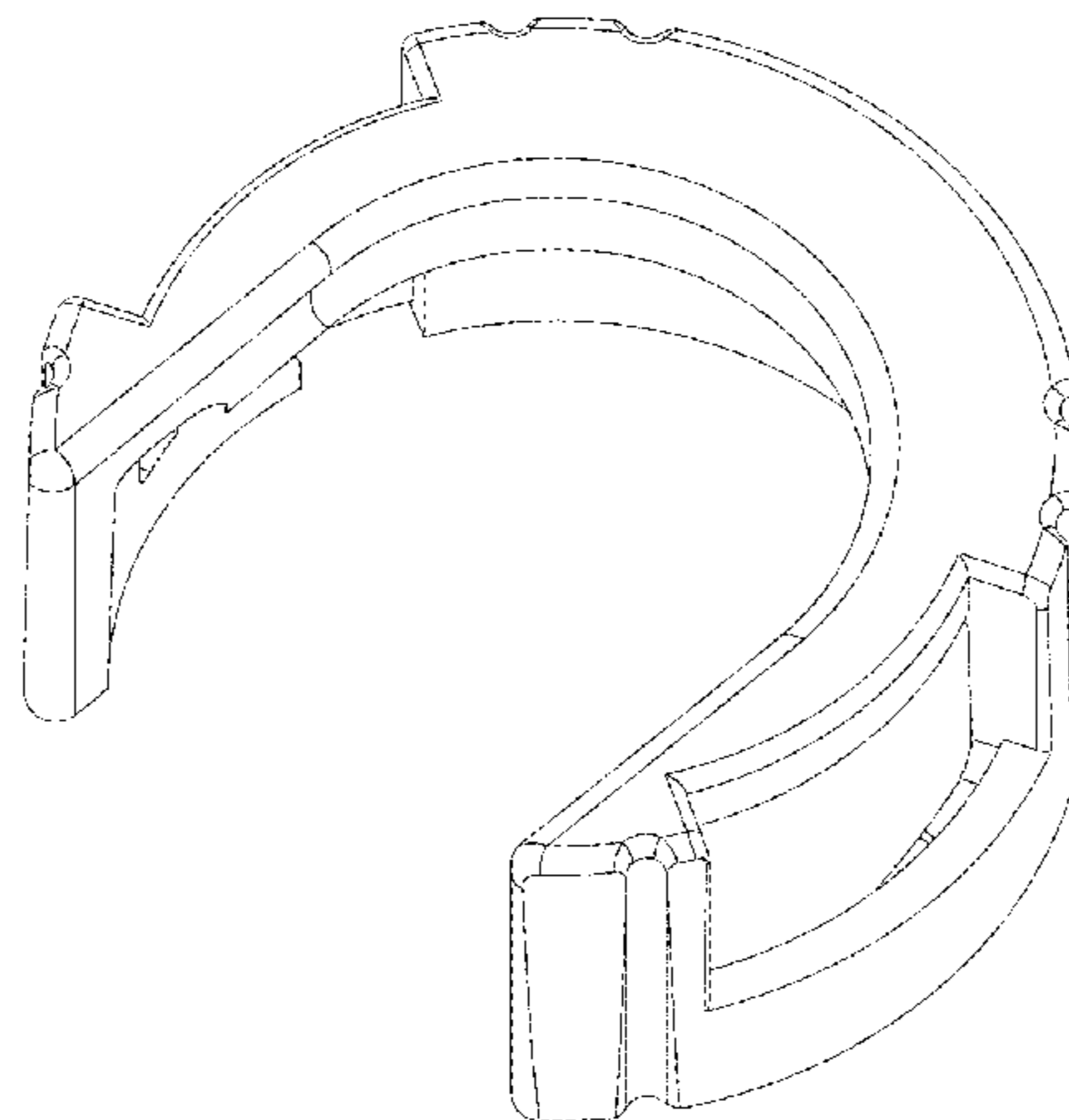
FIG. 1 is a top front right perspective view of a demount tool showing our new design;
FIG. 2 is a top rear left perspective view thereof;
FIG. 3 is a bottom front left perspective view thereof;
FIG. 4 is a bottom rear right perspective view thereof;
FIG. 5 is a front elevation view thereof;
FIG. 6 is a rear elevation view thereof;
FIG. 7 is a top plan view thereof;
FIG. 8 is a bottom plan view thereof;
FIG. 9 is a left side elevation view thereof; and,
FIG. 10 is a right side elevation view thereof.
The ornamental design for a demount tool for uncoupling a water pipe from a water pipe coupling.

1 Claim, 5 Drawing Sheets

(56) **References Cited**

U.S. PATENT DOCUMENTS

D252,246 S * 7/1979 Christian D8/349
D263,992 S * 4/1982 Ebert D23/262
4,373,235 A * 2/1983 Korgaonkar F16L 23/04
24/282
4,568,115 A * 2/1986 Zimmerly F16L 23/10
24/285
D344,449 S * 2/1994 Ward D8/395
D412,336 S * 7/1999 Bakoleidis D15/143
D448,280 S * 9/2001 Bourgerie D8/382
D448,657 S * 10/2001 Calvert D8/394
D484,592 S * 12/2003 Ryhman D24/128
D484,783 S * 1/2004 Woodhall D8/356



(56)

References Cited

D748,016 S * 1/2016 Wang D12/114

U.S. PATENT DOCUMENTS

FOREIGN PATENT DOCUMENTS

D717,693 S * 11/2014 Waitz D11/215
D722,362 S 2/2015 Kluss et al.
D722,363 S 2/2015 Kluss et al.
D724,398 S * 3/2015 Streets D8/17
D745,382 S * 12/2015 Faria D8/396
D747,444 S * 1/2016 Gledhill D23/262

EP 0897082 A1 2/1999
EP 001428197-0001 4/2015
EP 001428197-0002 4/2015

* cited by examiner

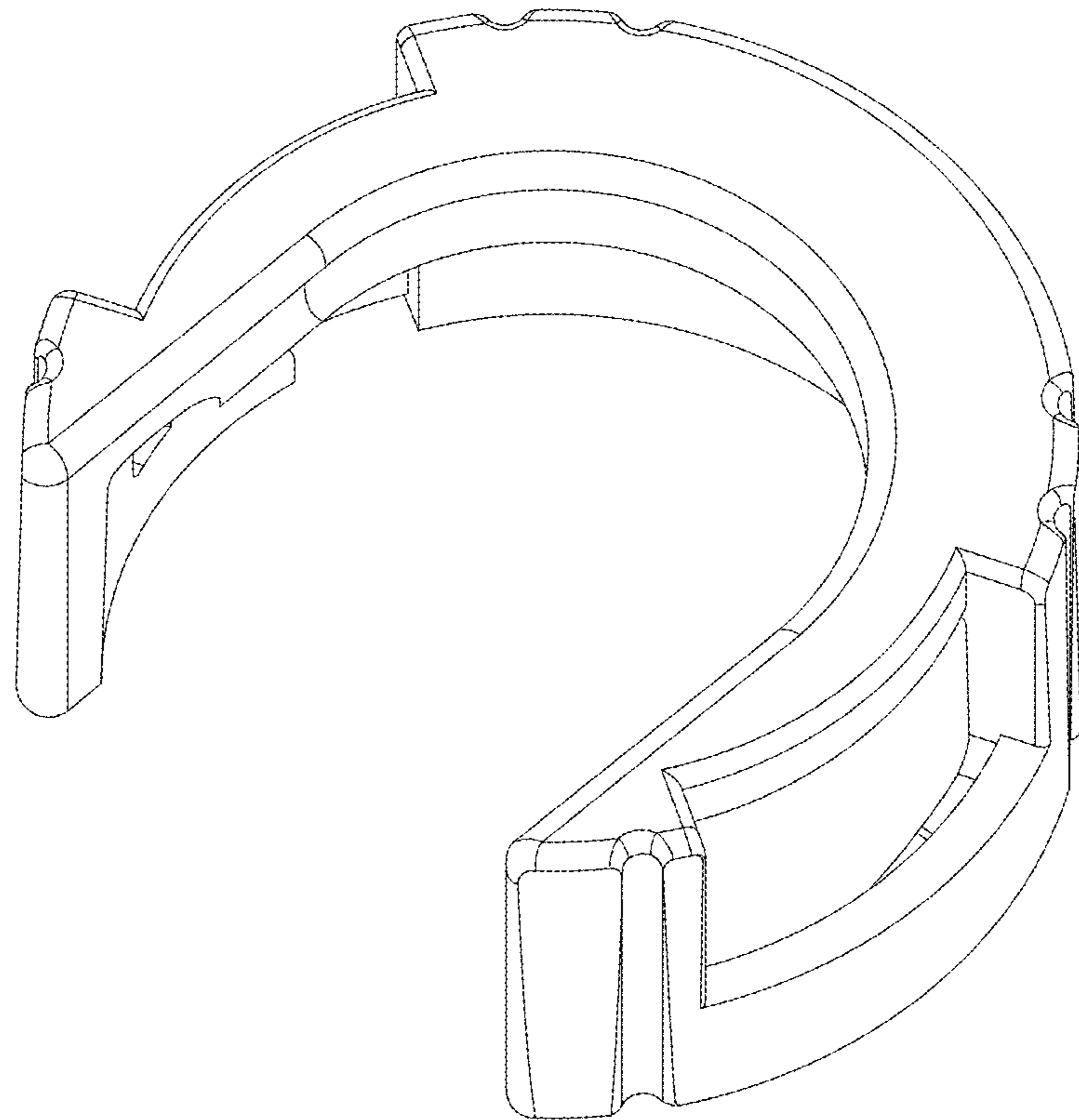


FIG. 1

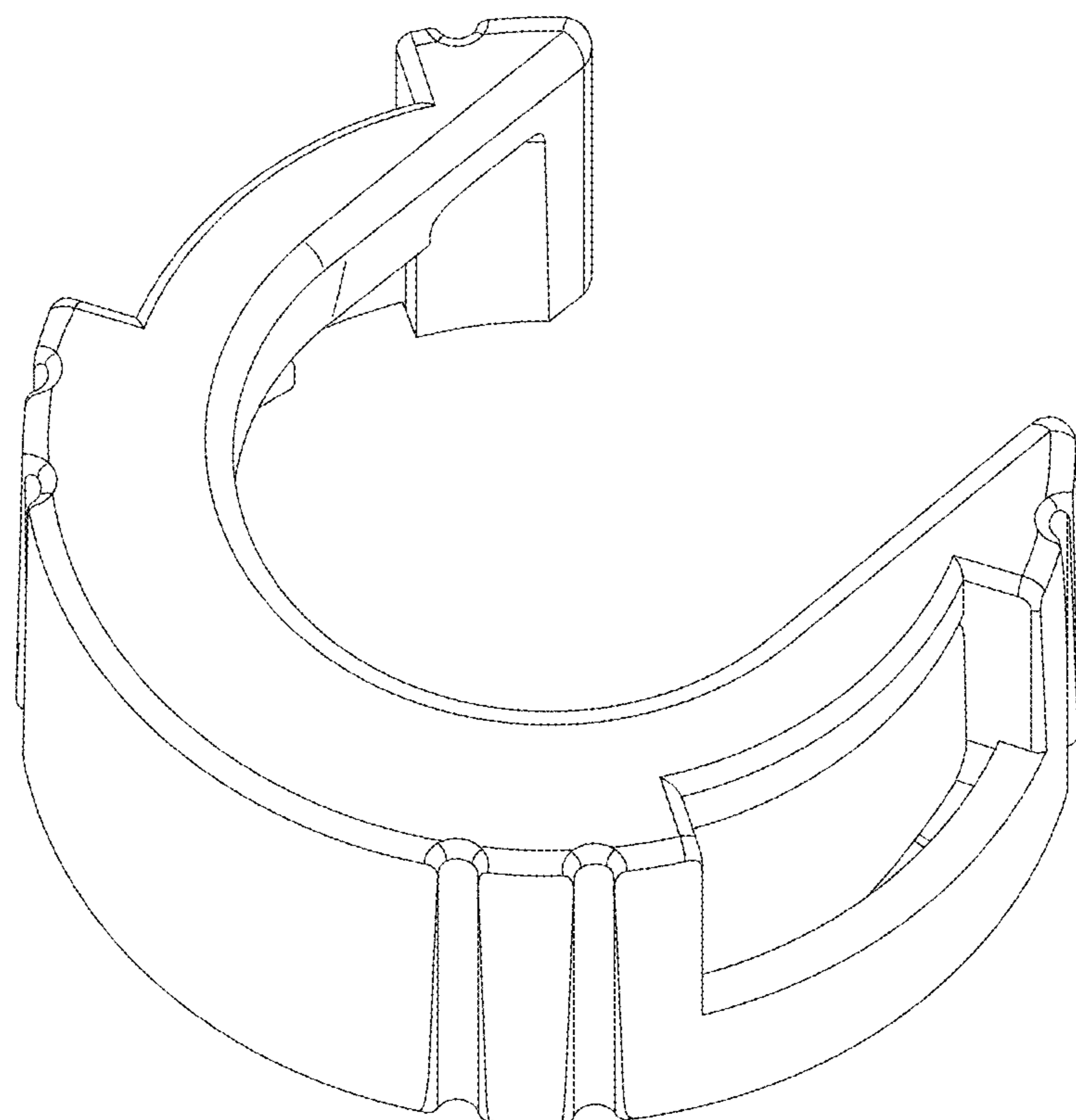


FIG. 2

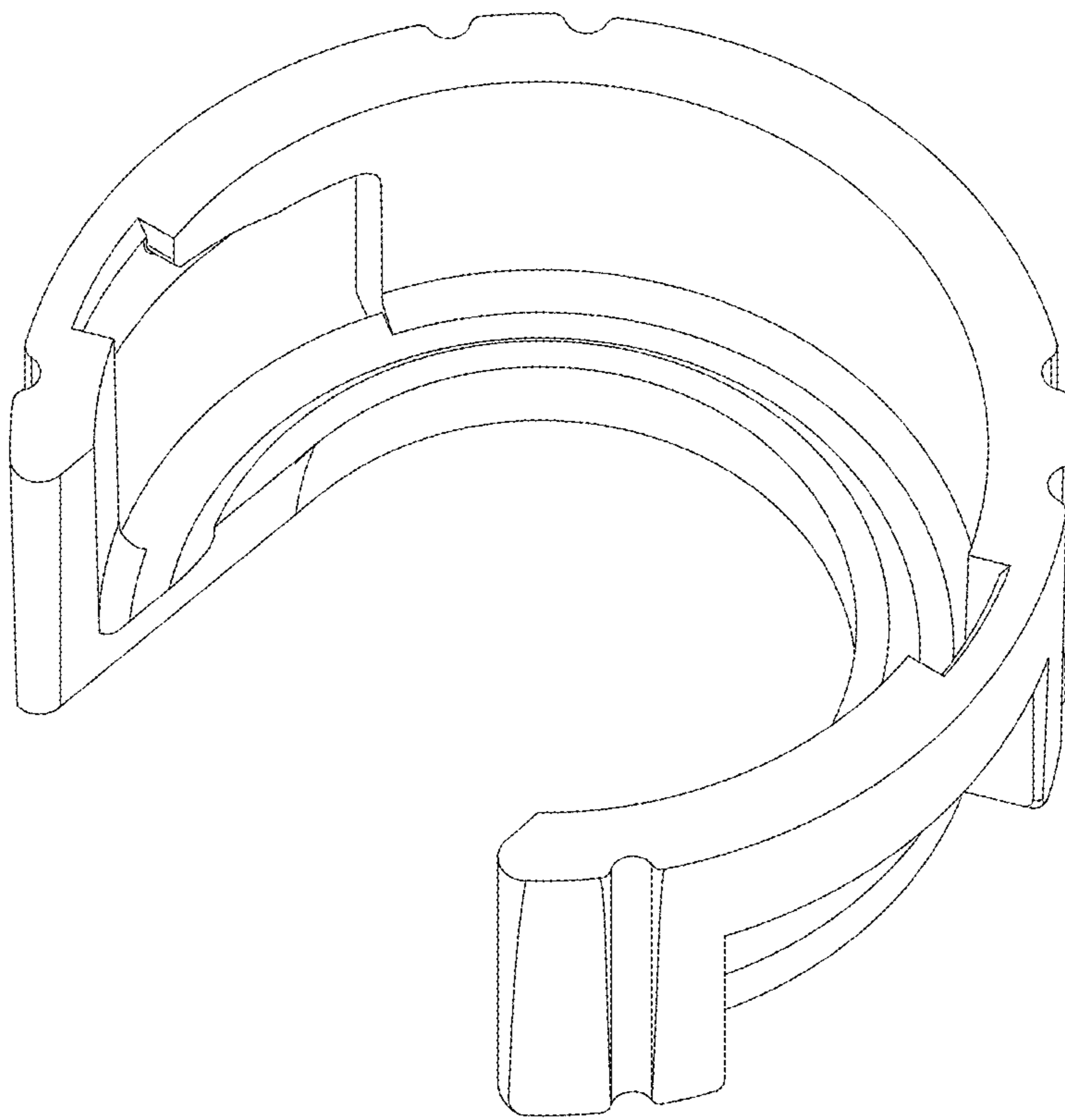


FIG. 3

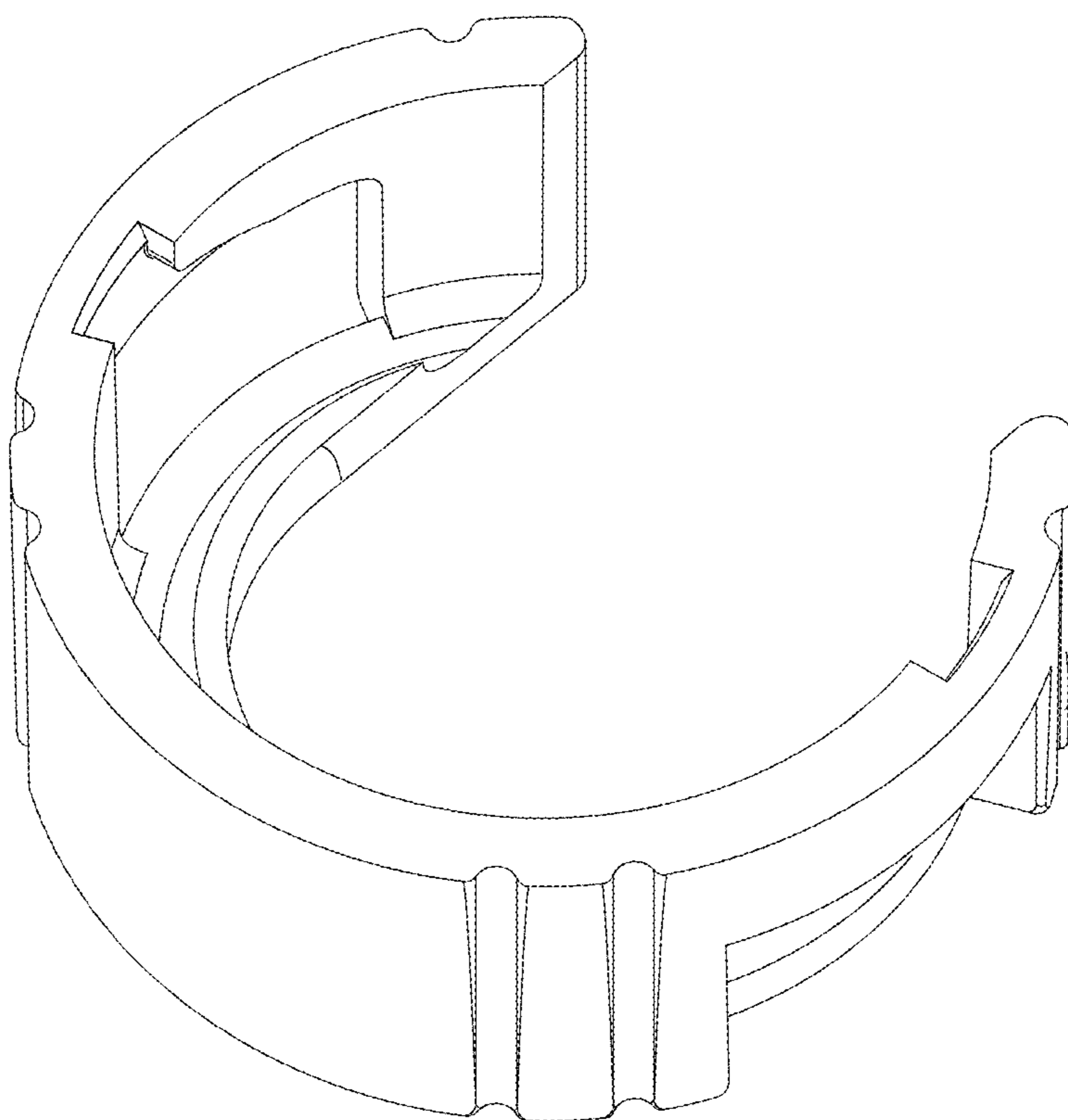


FIG. 4



FIG. 5



FIG. 6

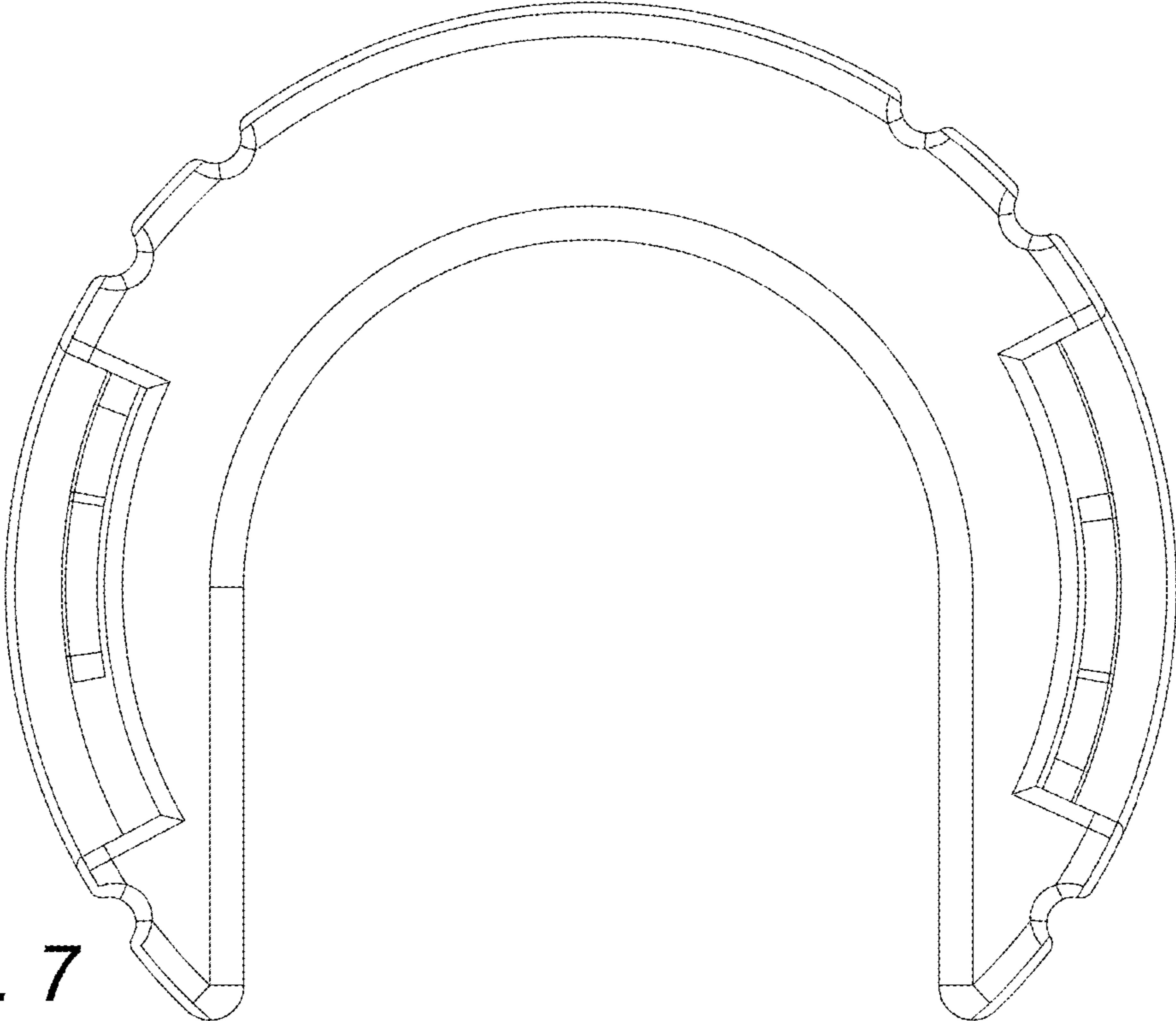


FIG. 7

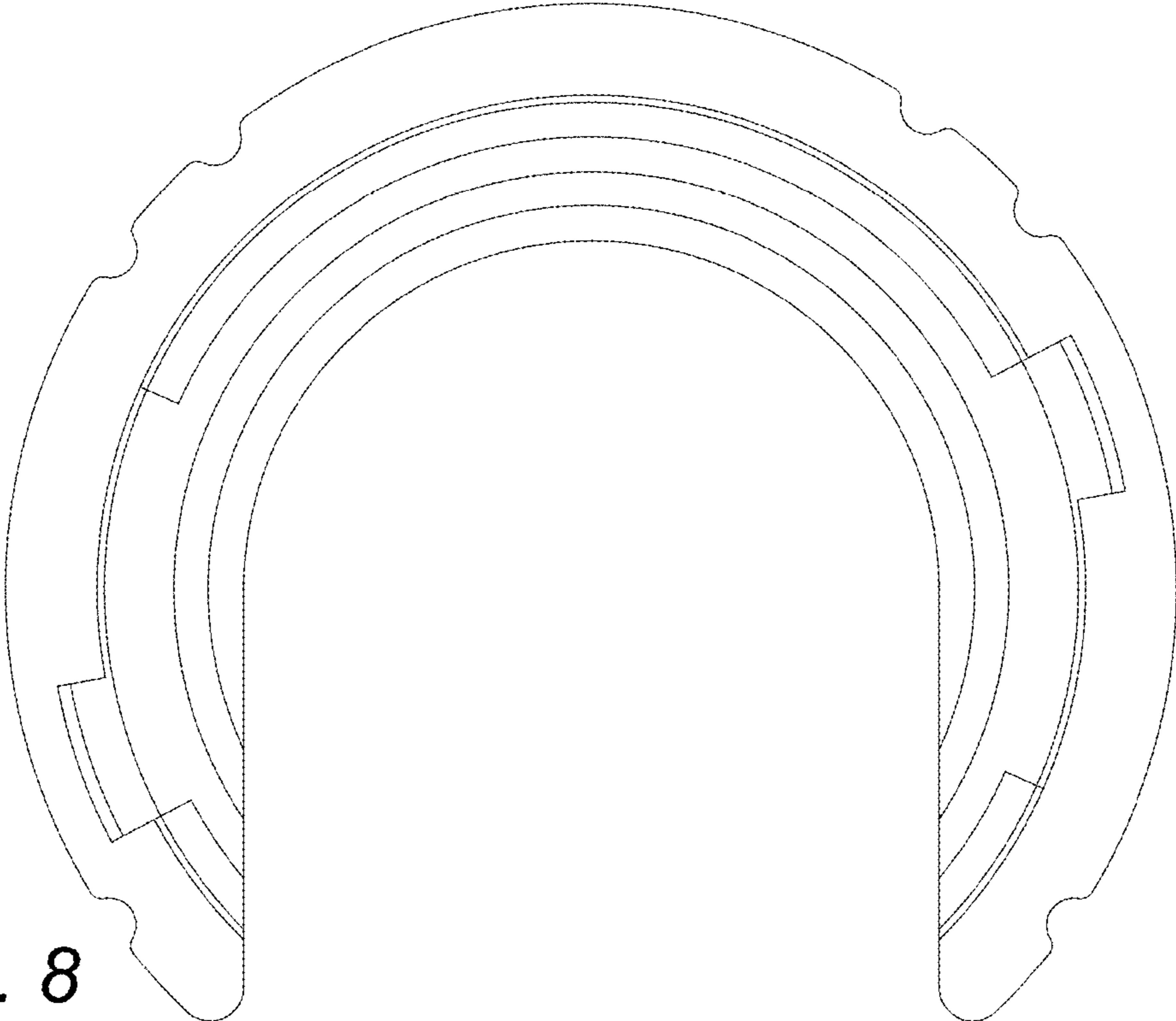


FIG. 8

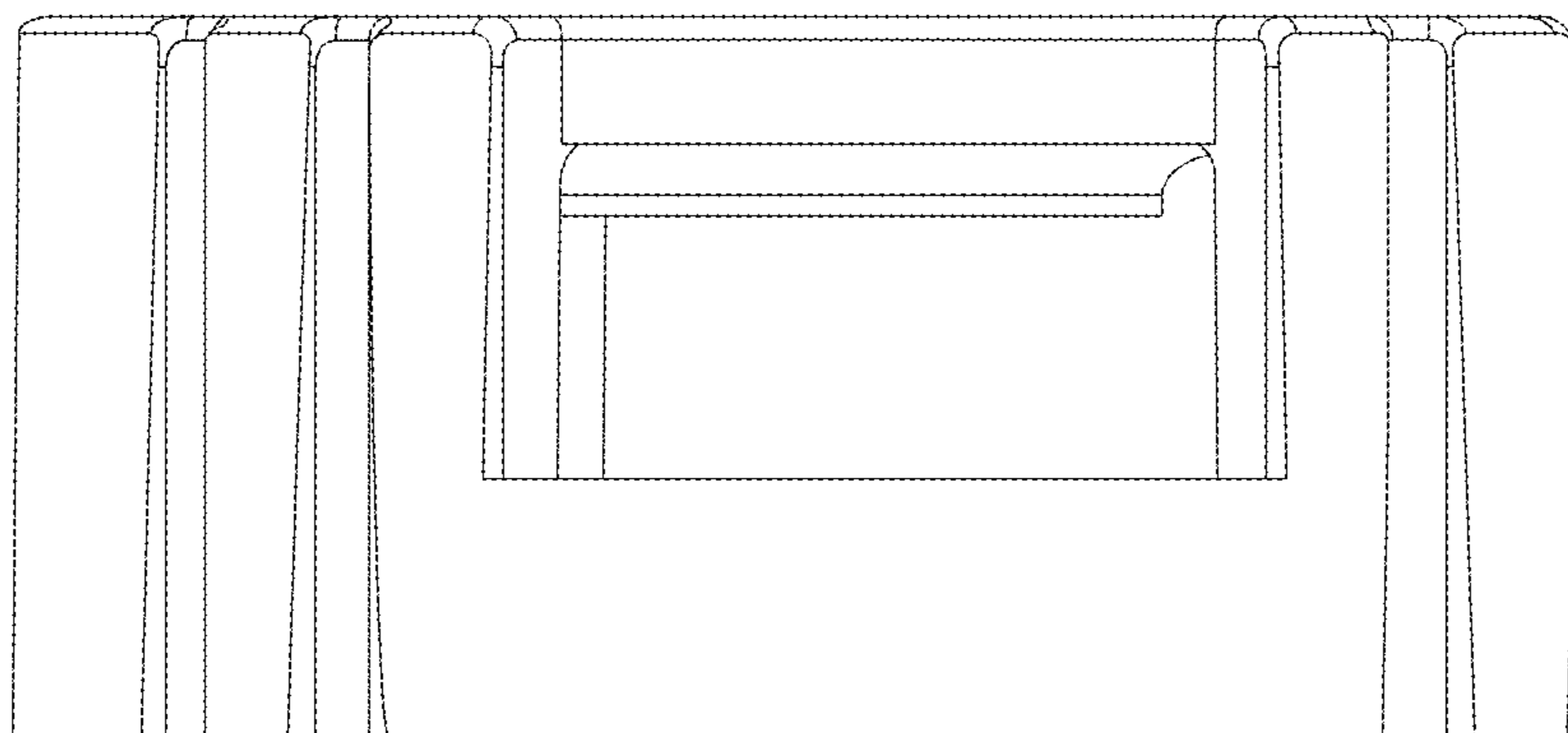


FIG. 9

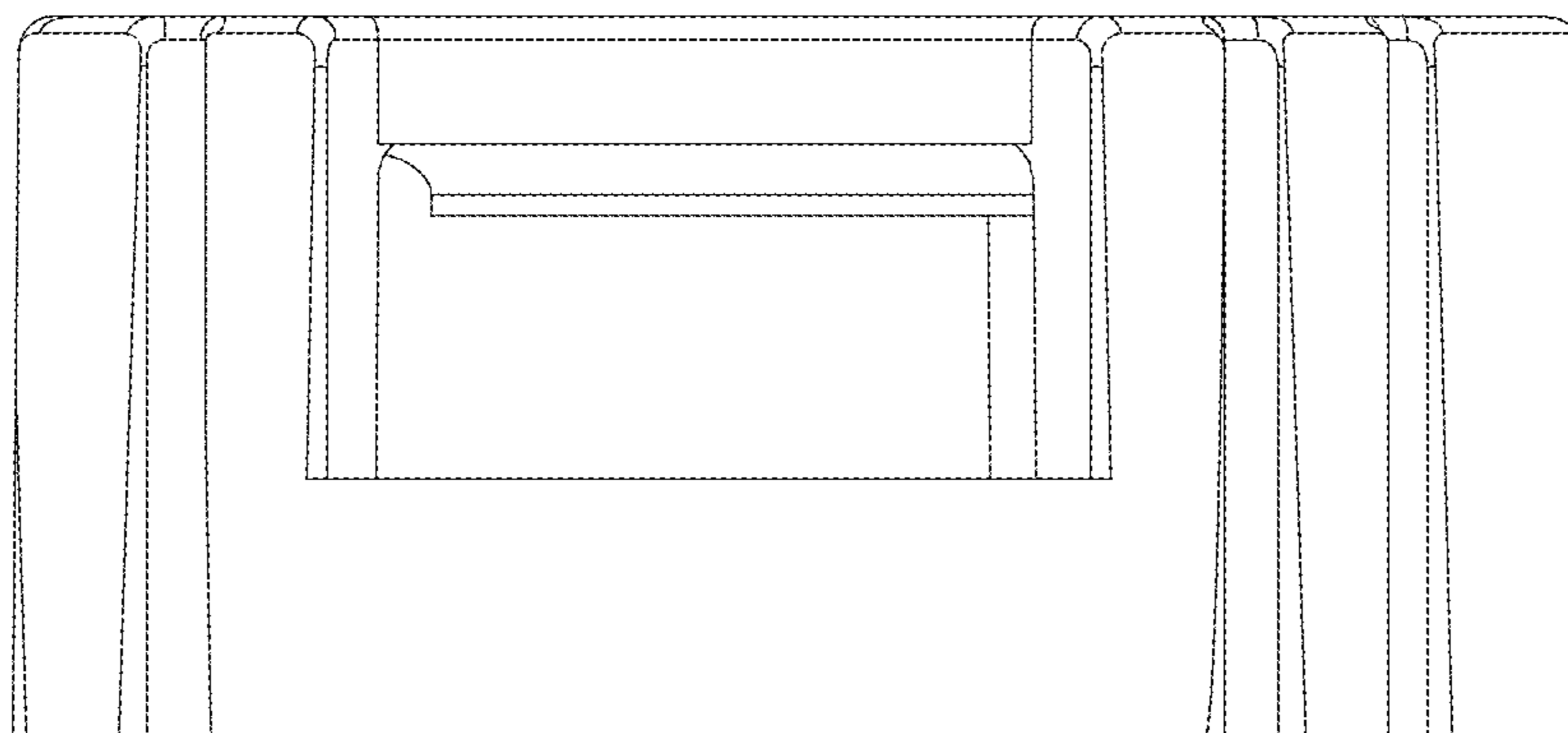


FIG. 10