



US00D770871S

(12) **United States Design Patent** (10) **Patent No.:** **US D770,871 S**
Soo (45) **Date of Patent:** **** Nov. 8, 2016**

(54) **GARDEN HOE**
(71) Applicant: **Unison Ridge Limited**, Fo Tan, Shatin, New Territories (HK)
(72) Inventor: **Kim Jang Soo**, Shatin (HK)
(73) Assignee: **UNISON RIDGE LIMITED**, Fo Tan, Shatin, New Territories (HK)
(**) Term: **15 Years**
(21) Appl. No.: **29/536,976**
(22) Filed: **Aug. 21, 2015**
(51) **LOC (10) Cl.** **08-01**
(52) **U.S. Cl.**
USPC **D8/11**
(58) **Field of Classification Search**
USPC D8/7, 9, 10, 11, 12; D21/532
CPC A01B 1/06; A01B 1/12; A01B 1/14;
A01B 1/16; A01B 1/22; A01B 1/222; A01B
1/225; A01B 1/227
See application file for complete search history.

(56) **References Cited**
U.S. PATENT DOCUMENTS
718,534 A * 1/1903 Shedd A01B 1/06
172/372
2,117,461 A * 5/1938 Stemman A01B 1/22
172/720
2,169,557 A * 8/1939 Curtiss A01B 1/22
172/372
2,240,705 A * 5/1941 Klopfenstein A01B 1/06
172/372

2,291,015 A * 7/1942 Anderson B44D 3/162
15/236.05
D197,241 S * 12/1963 Grant D8/9
3,643,744 A * 2/1972 Turnquist A01B 1/12
172/372
D308,004 S * 5/1990 Dawley D8/11
D344,221 S * 2/1994 Allbright D8/11
D379,141 S * 5/1997 Cleghorn D8/9
D383,951 S * 9/1997 Dutchak D8/11
6,311,783 B1 * 11/2001 Harpell A01B 1/08
172/371
6,412,569 B1 * 7/2002 Webb A01B 1/08
172/16
D496,841 S * 10/2004 Baynard D8/11
D621,235 S * 8/2010 Pearson D8/10
D739,693 S * 9/2015 Cooper D8/11
2003/0230419 A1 * 12/2003 Eubanks A01B 1/00
172/371

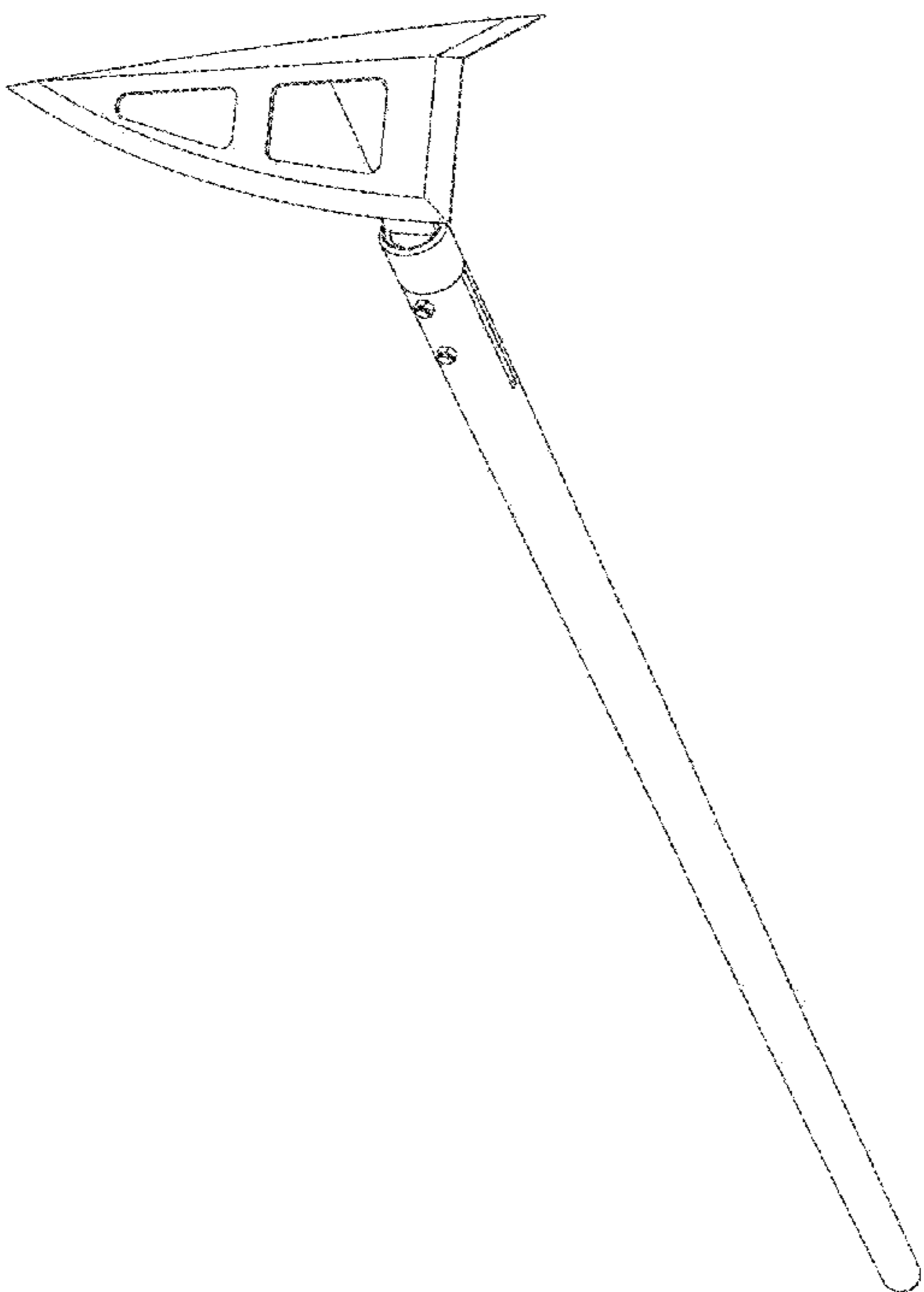
* cited by examiner
Primary Examiner — Sheryl Lane
Assistant Examiner — Ieisha Price
(74) *Attorney, Agent, or Firm* — Mark M. Friedman

(57) **CLAIM**
The ornamental design for a garden hoe, as shown.

DESCRIPTION

FIG. 1 is a back view of a garden hoe;
FIG. 2 is a bottom view thereof;
FIG. 3 is a front view thereof;
FIG. 4 is a left view thereof;
FIG. 5 is a perspective view thereof;
FIG. 6 is a right view thereof; and,
FIG. 7 is a top view thereof.

1 Claim, 7 Drawing Sheets



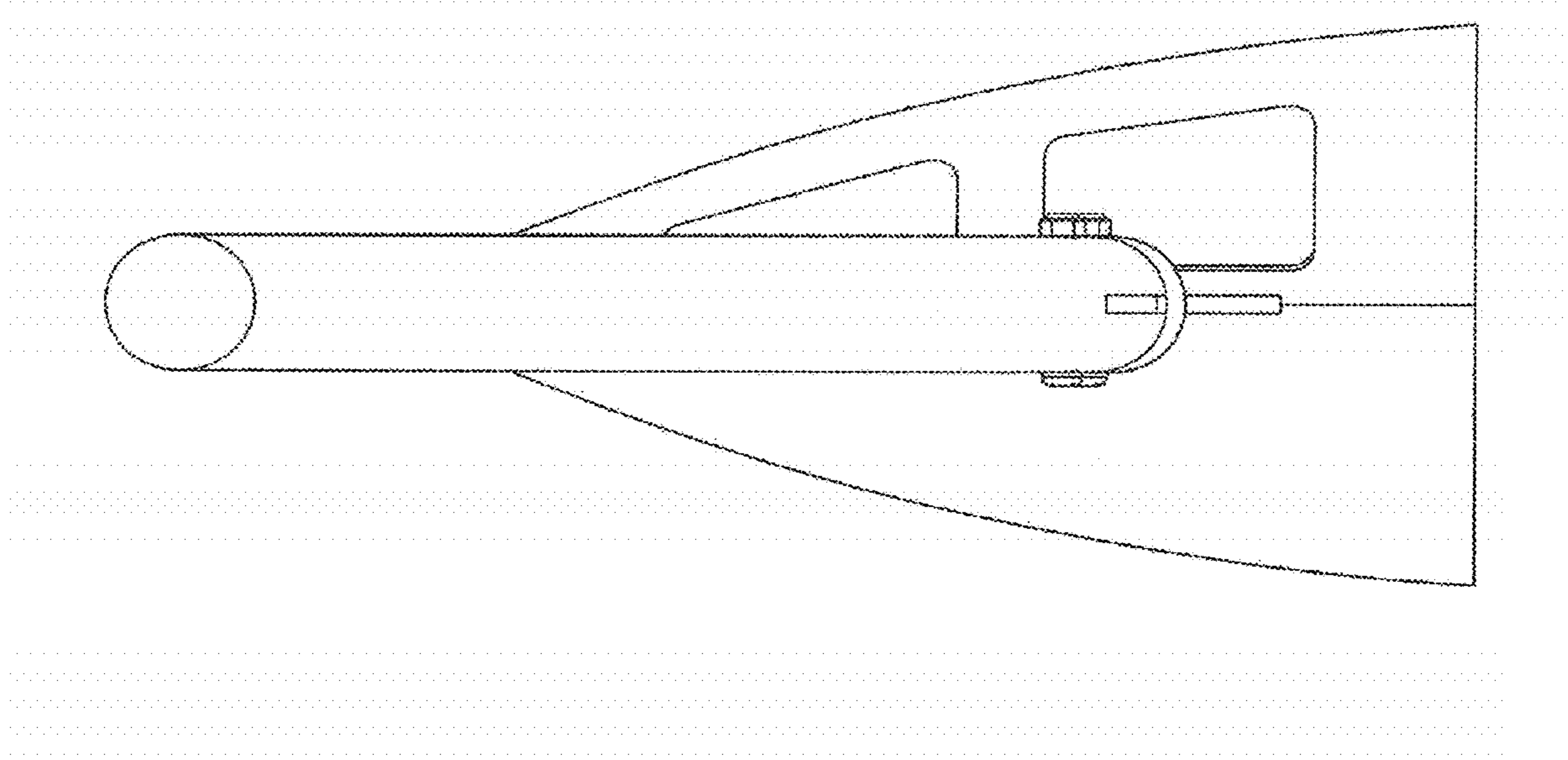


Fig. 1

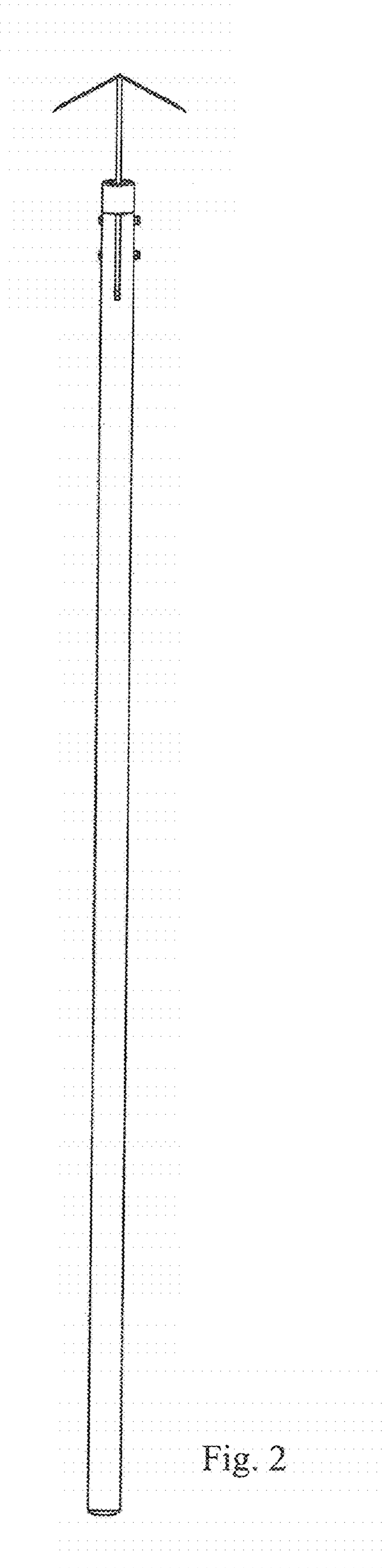


Fig. 2

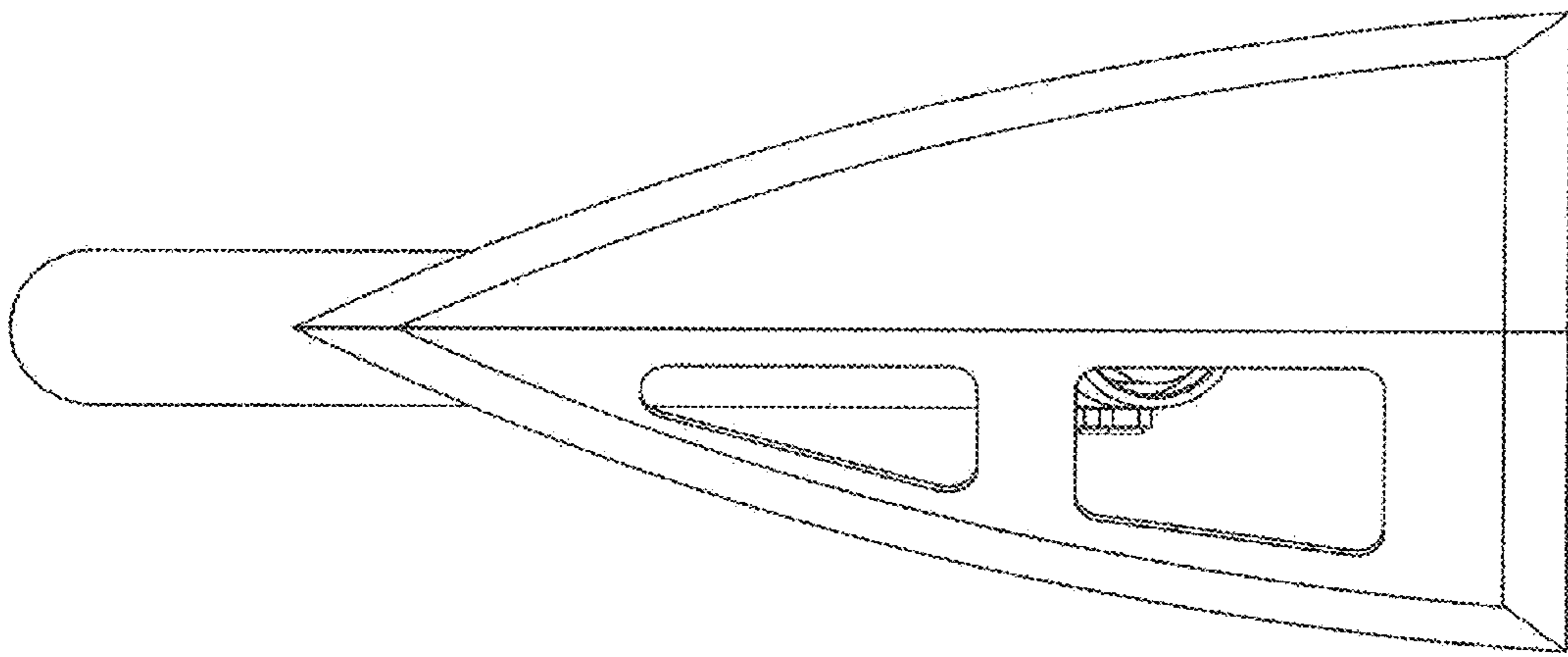


Fig. 3

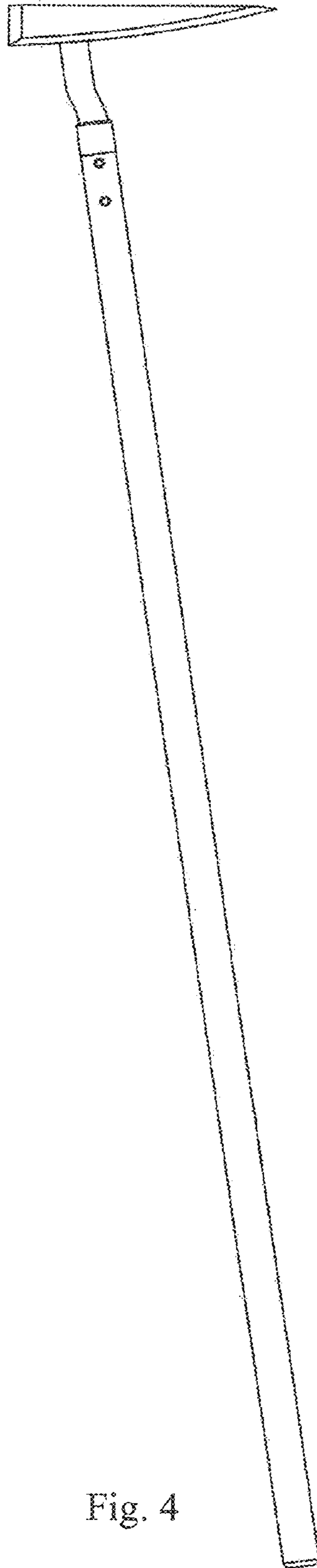


Fig. 4

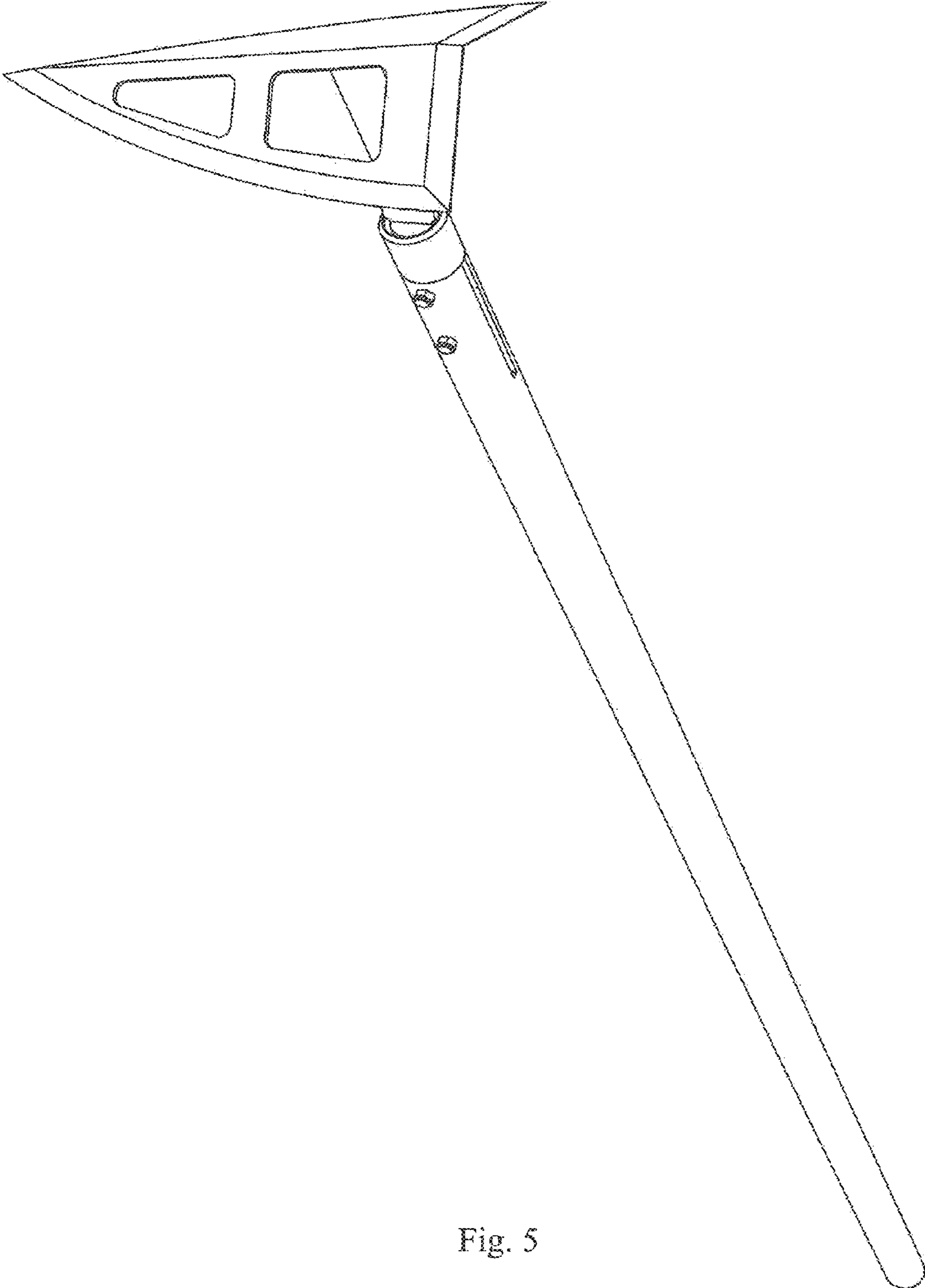


Fig. 5

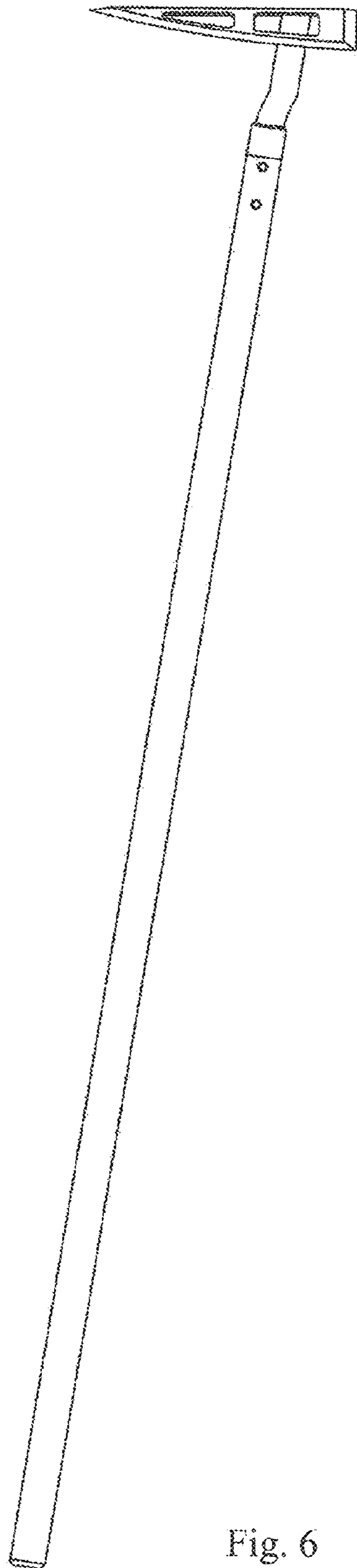


Fig. 6

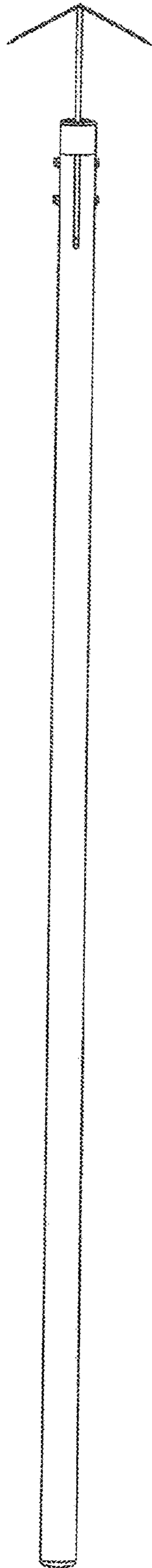


Fig. 7