



US00D770870S

(12) **United States Design Patent** (10) **Patent No.:** **US D770,870 S**
Nash et al. (45) **Date of Patent:** **** Nov. 8, 2016**

(54) **BEVERAGE HOLDER** 3,908,877 A * 9/1975 Kosisky A47G 23/0208
206/459.5

(71) Applicants: **Kimberly Nash**, Acton (CA); **Jason Duncan**, Acton (CA) D292,161 S * 10/1987 Spolter D7/553.6
D317,998 S * 7/1991 Sanford D7/701
D320,722 S * 10/1991 Sanford D7/701
D342,421 S * 12/1993 DuBow D7/708

(72) Inventors: **Kimberly Nash**, Acton (CA); **Jason Duncan**, Acton (CA) 6,131,732 A 10/2000 Schneider
6,371,322 B1 4/2002 Bryant
6,964,443 B1 11/2005 Newton
D563,726 S * 3/2008 Fraser D7/553.1
8,272,512 B2 9/2012 Joseph et al.

(**) Term: **15 Years** 2005/0017134 A1* 1/2005 Hooper A47G 23/0241
248/103
2015/0182054 A1* 7/2015 Shames A47G 23/0641
206/217

(21) Appl. No.: **29/528,540**

(22) Filed: **May 29, 2015**

(51) **LOC (10) Cl.** **07-06** * cited by examiner

(52) **U.S. Cl.** *Primary Examiner* — Terry Wallace
USPC **D7/702**; D7/551.1 (74) *Attorney, Agent, or Firm* — Robert C. Montgomery;
Montgomery Patent & Design LP

(58) **Field of Classification Search** (57) **CLAIM**
USPC D7/701–708, 619.1–625, 550.1, 551.1, D7/551.2, 553.1 The ornamental design for a beverage holder, as shown and described.
CPC A47G 23/0625; A47G 23/0641;
A47G 23/0208; A47G 23/065
See application file for complete search history.

(56) **References Cited**

U.S. PATENT DOCUMENTS

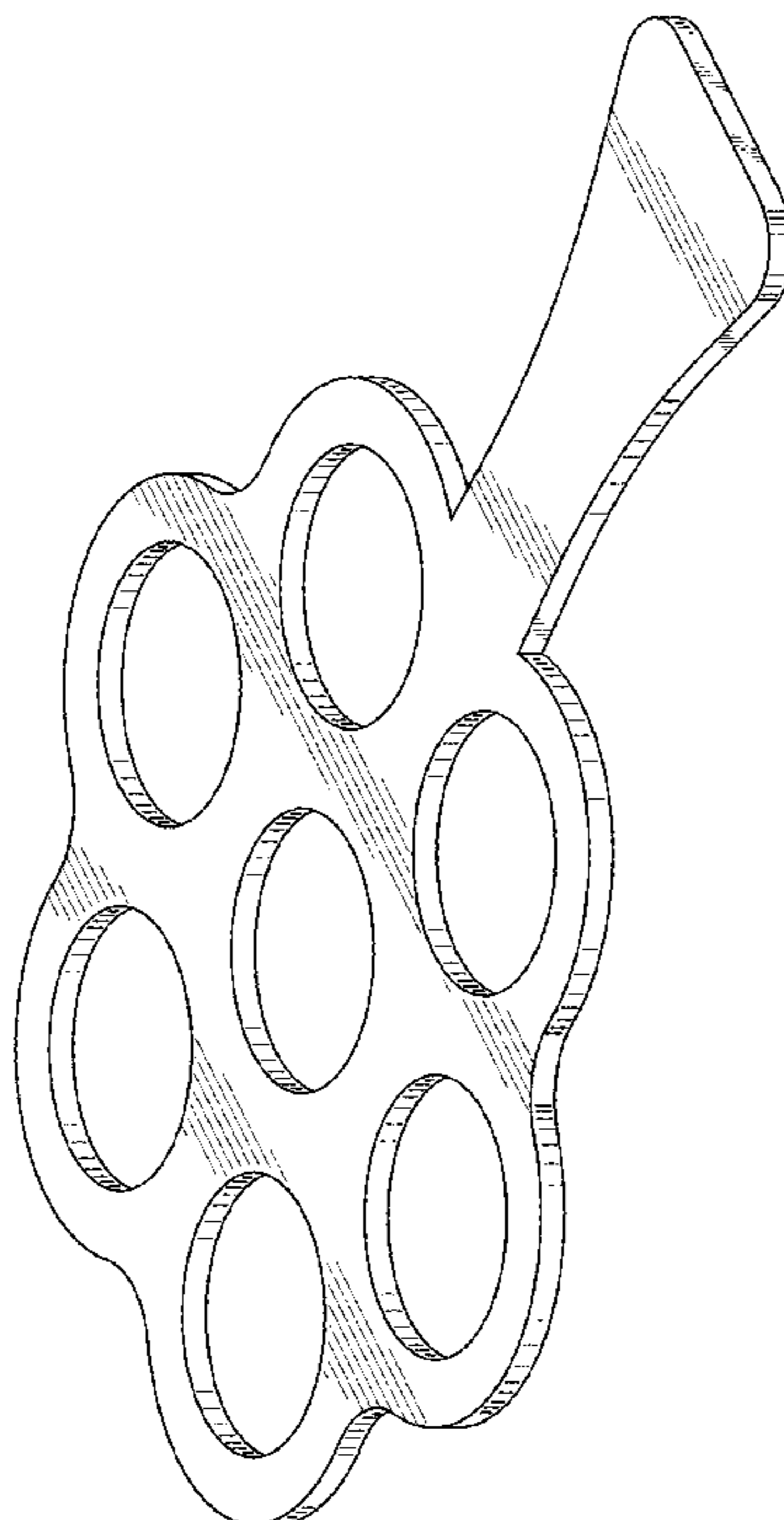
1,540,792 A * 6/1925 McLaren A47G 19/30
108/11
1,659,344 A * 2/1928 Wissman A47G 23/065
294/143
1,778,425 A * 10/1930 Maddocks A47G 23/065
294/159
3,142,425 A * 7/1964 Cobb A47G 23/0208
229/400

D227,851 S 7/1973 Nowland et al.
3,768,710 A 10/1973 Eggers

DESCRIPTION

FIG. 1 is a perspective front view of the beverage holder, showing our new design;
FIG. 2 is a front side view thereof;
FIG. 3 is a back side view thereof;
FIG. 4 is a left side view with the right side view being a mirror image thereof; and,
FIG. 5 is a top side view with the bottom side view being a mirror image thereof.

1 Claim, 4 Drawing Sheets



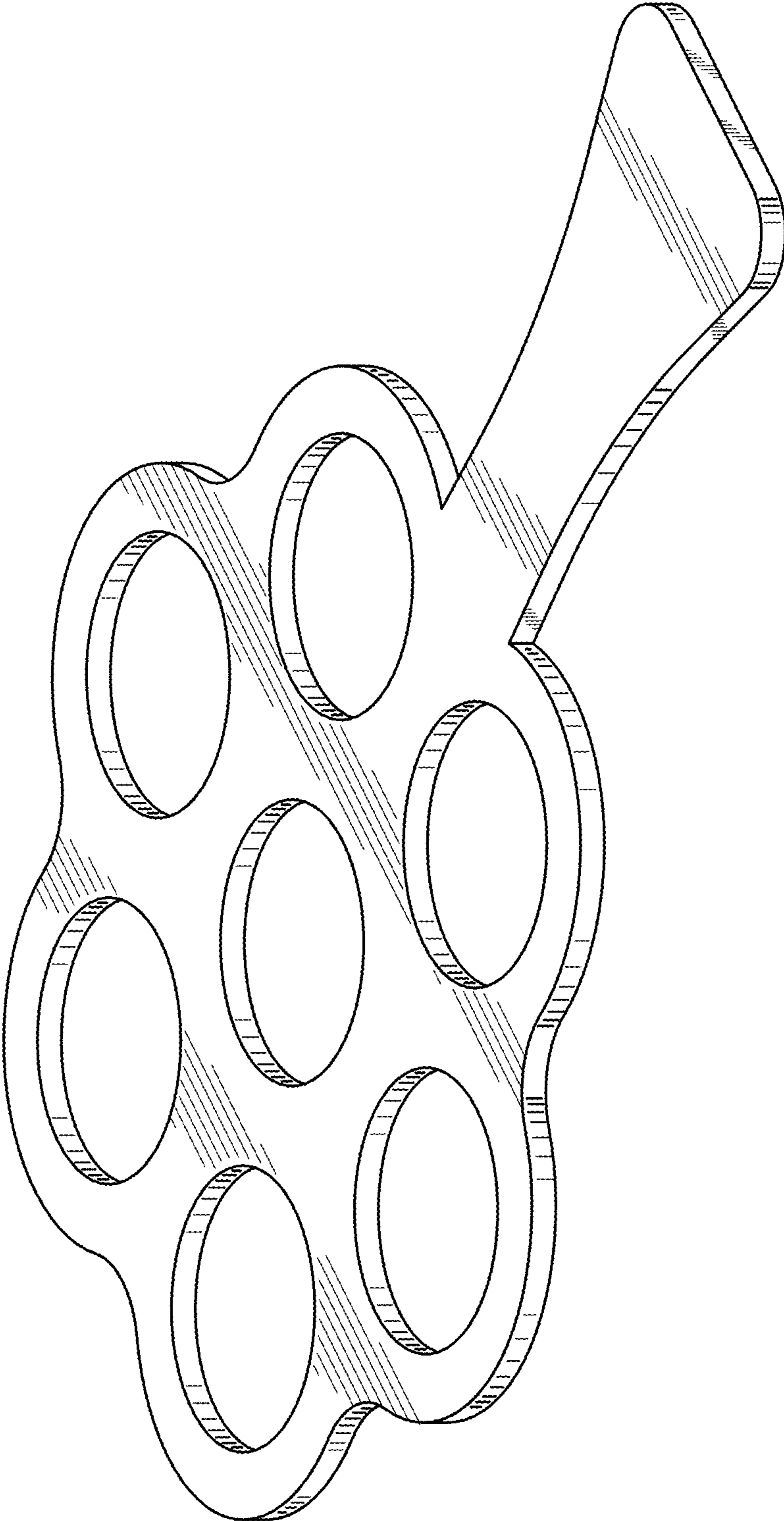


FIG. 1



FIG. 2

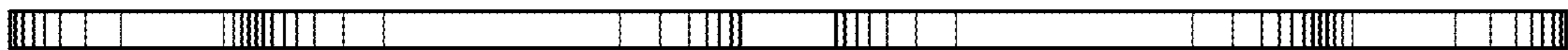


FIG. 3



FIG. 4

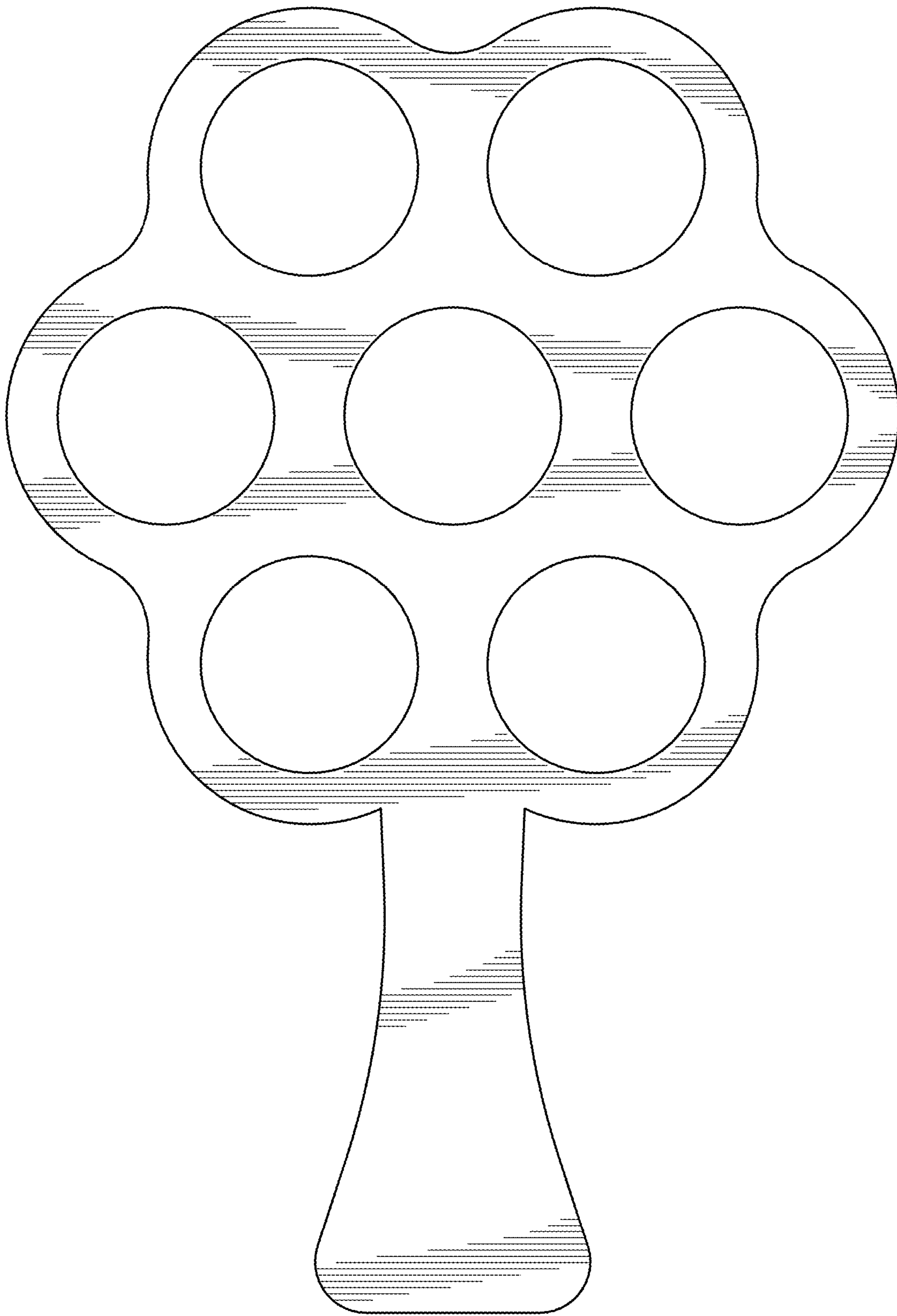


FIG. 5