



US00D770869S

(12) **United States Design Patent**
Stahl

(10) **Patent No.:** **US D770,869 S**

(45) **Date of Patent:** **** Nov. 8, 2016**

(54) **BREAD STAMPING TOOL**

(71) Applicant: **Gary Stahl**, Oceanside, NY (US)

(72) Inventor: **Gary Stahl**, Oceanside, NY (US)

(**) Term: **15 Years**

(21) Appl. No.: **29/527,676**

(22) Filed: **May 21, 2015**

(51) **LOC (10) Cl.** **07-04**

(52) **U.S. Cl.**
USPC **D7/672; D7/368**

(58) **Field of Classification Search**
USPC D7/368, 669, 672, 677
CPC A21C 11/02; A21C 11/08; A21C 11/106;
A21C 9/068
See application file for complete search history.

(56) **References Cited**

U.S. PATENT DOCUMENTS

- 2,008,725 A * 7/1935 Parker A22C 7/0076
249/155
- D204,554 S * 4/1966 Benz D18/15

- D260,128 S * 8/1981 Sommerfeld D7/675
- 4,362,497 A * 12/1982 Lifshitz A21C 11/106
249/119
- D274,592 S * 7/1984 Bever 426/87
- 4,818,207 A * 4/1989 Heron A21C 11/106
249/103
- D337,703 S * 7/1993 Fox, Sr. D7/675

* cited by examiner

Primary Examiner — Terry Wallace

(74) *Attorney, Agent, or Firm* — Gary E. Lambert; David J. Connaughton, Jr.; Lambert & Associates

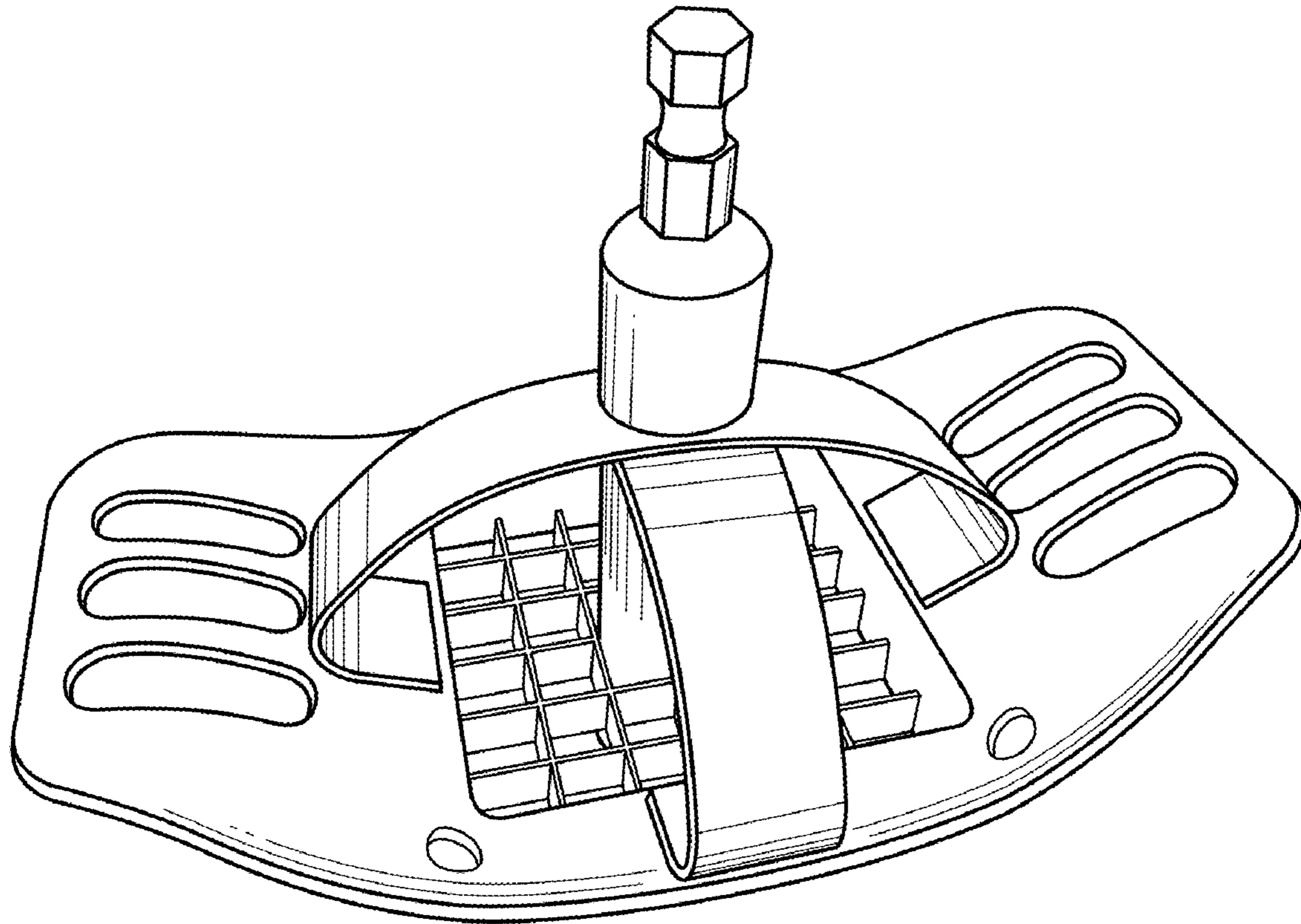
(57) **CLAIM**

The ornamental design for a bread stamping tool, as shown and described.

DESCRIPTION

FIG. 1 is an isometric view of the bread stamping tool, which embodies my design;
FIG. 2 is a top plane view of the bread stamping tool;
FIG. 3 is a bottom plane view of the bread stamping tool;
FIG. 4 is a right side view of the bread stamping tool;
FIG. 5 is a front side view of the bread stamping tool; and,
FIG. 6 is an exploded isometric view of the bread stamping tool.

1 Claim, 4 Drawing Sheets



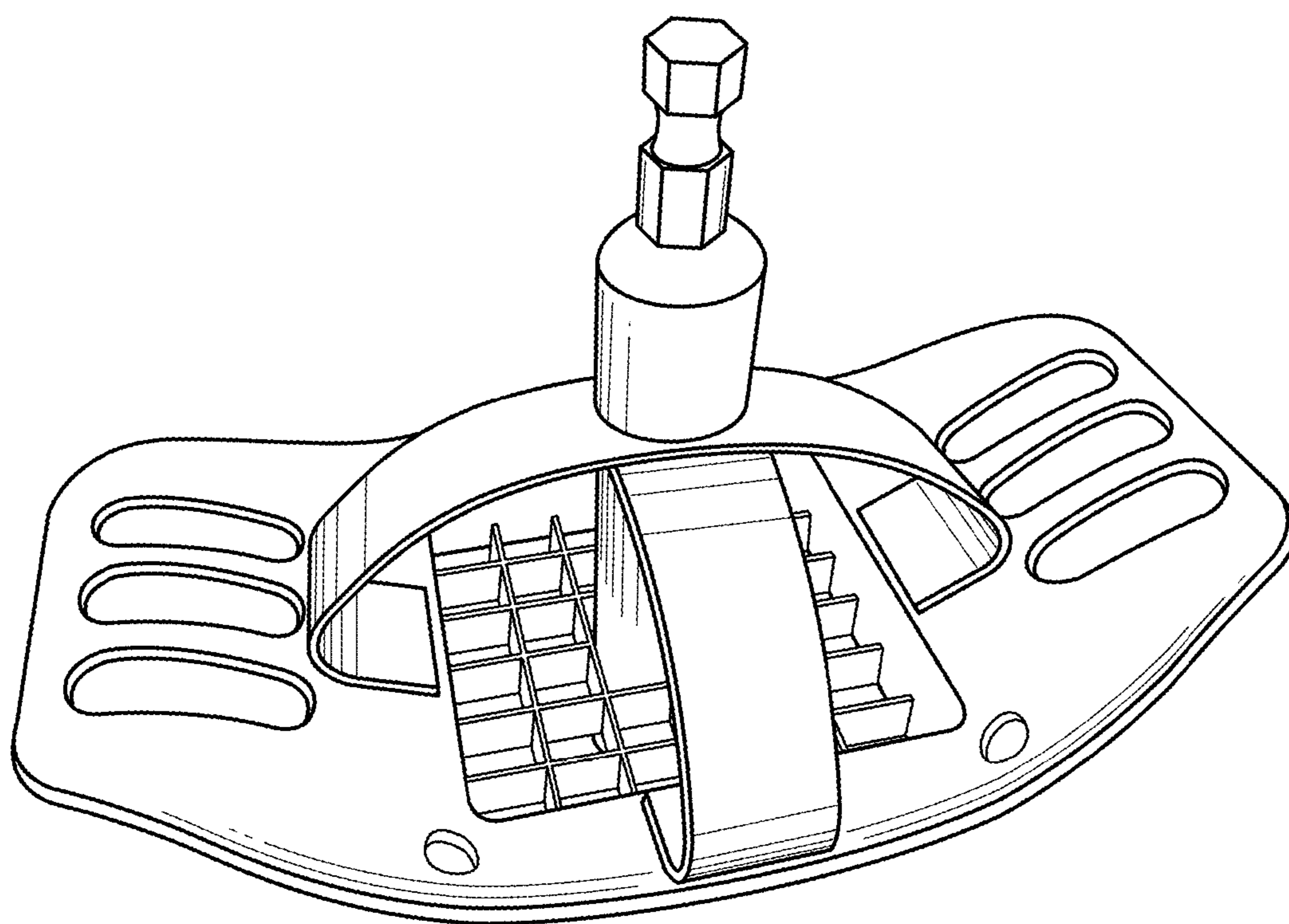


Fig. 1

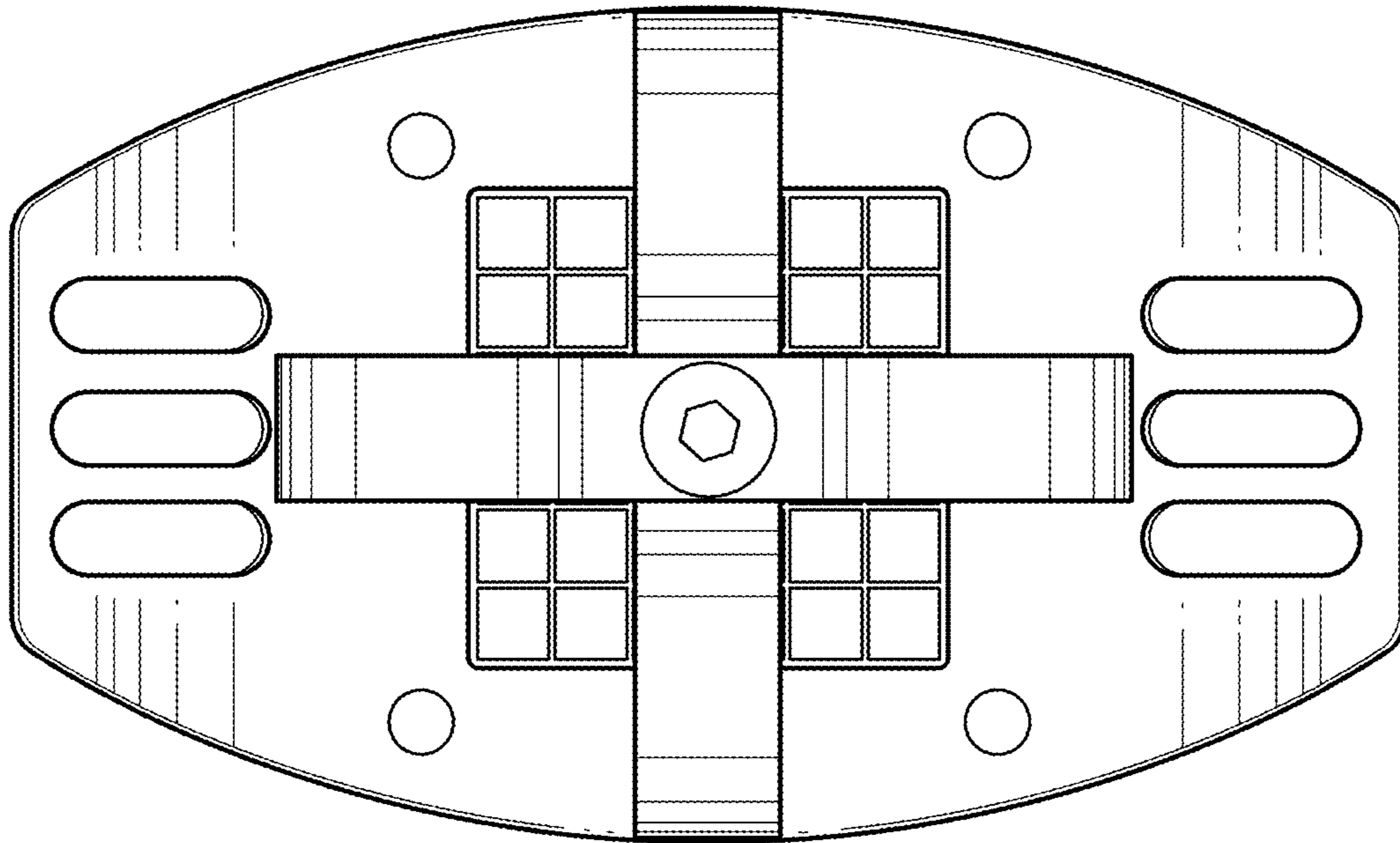


Fig. 2

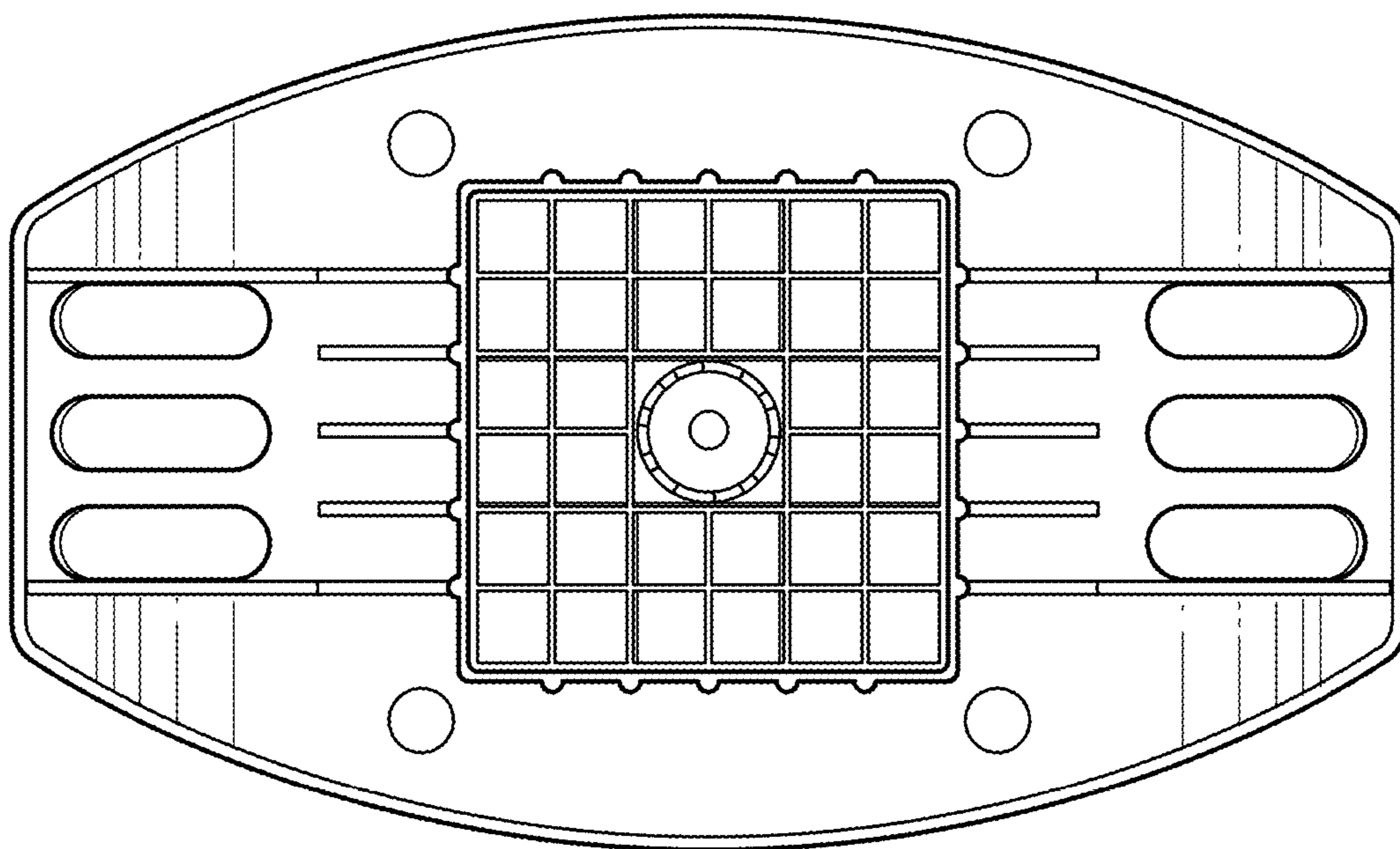


Fig. 3

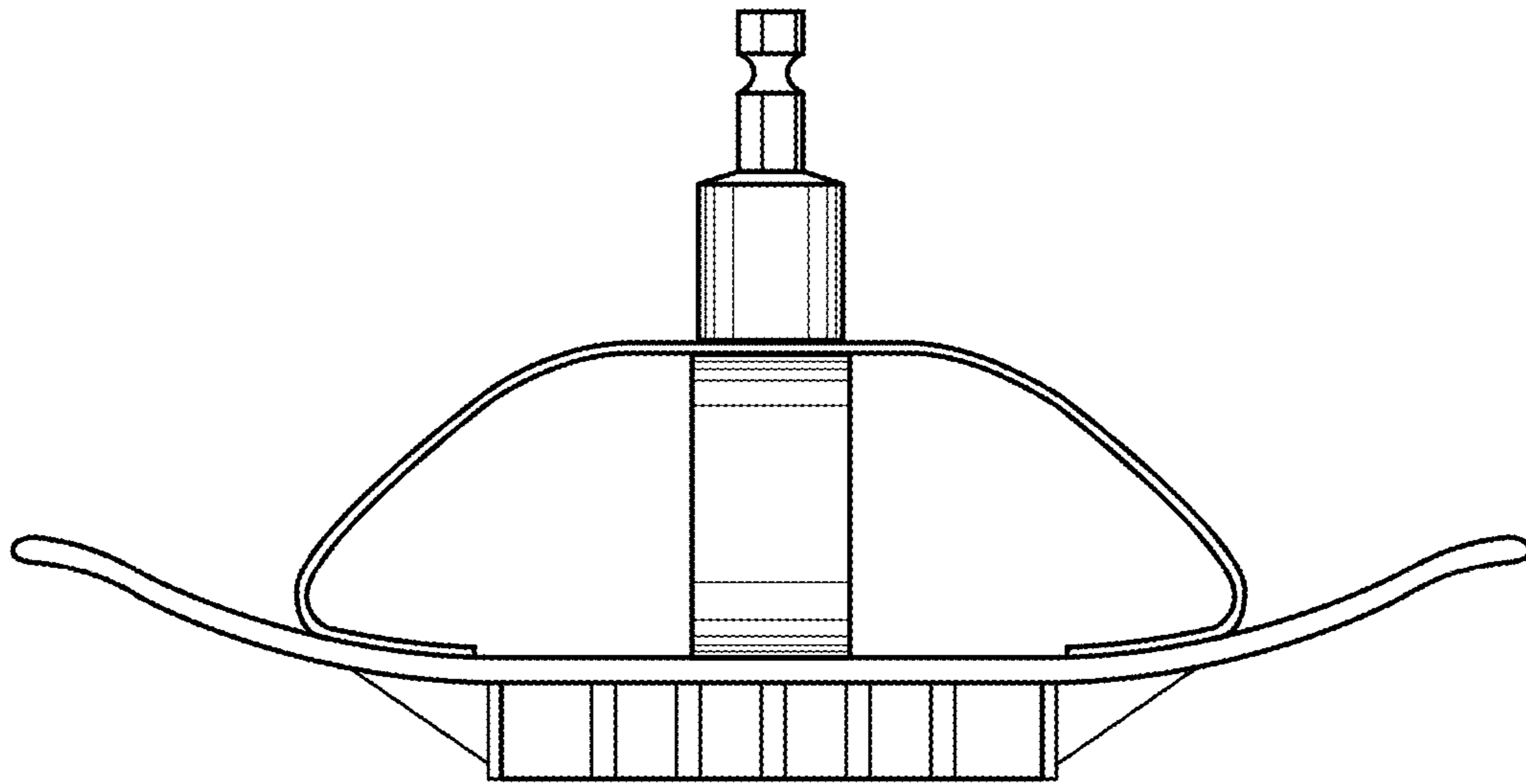


Fig. 4

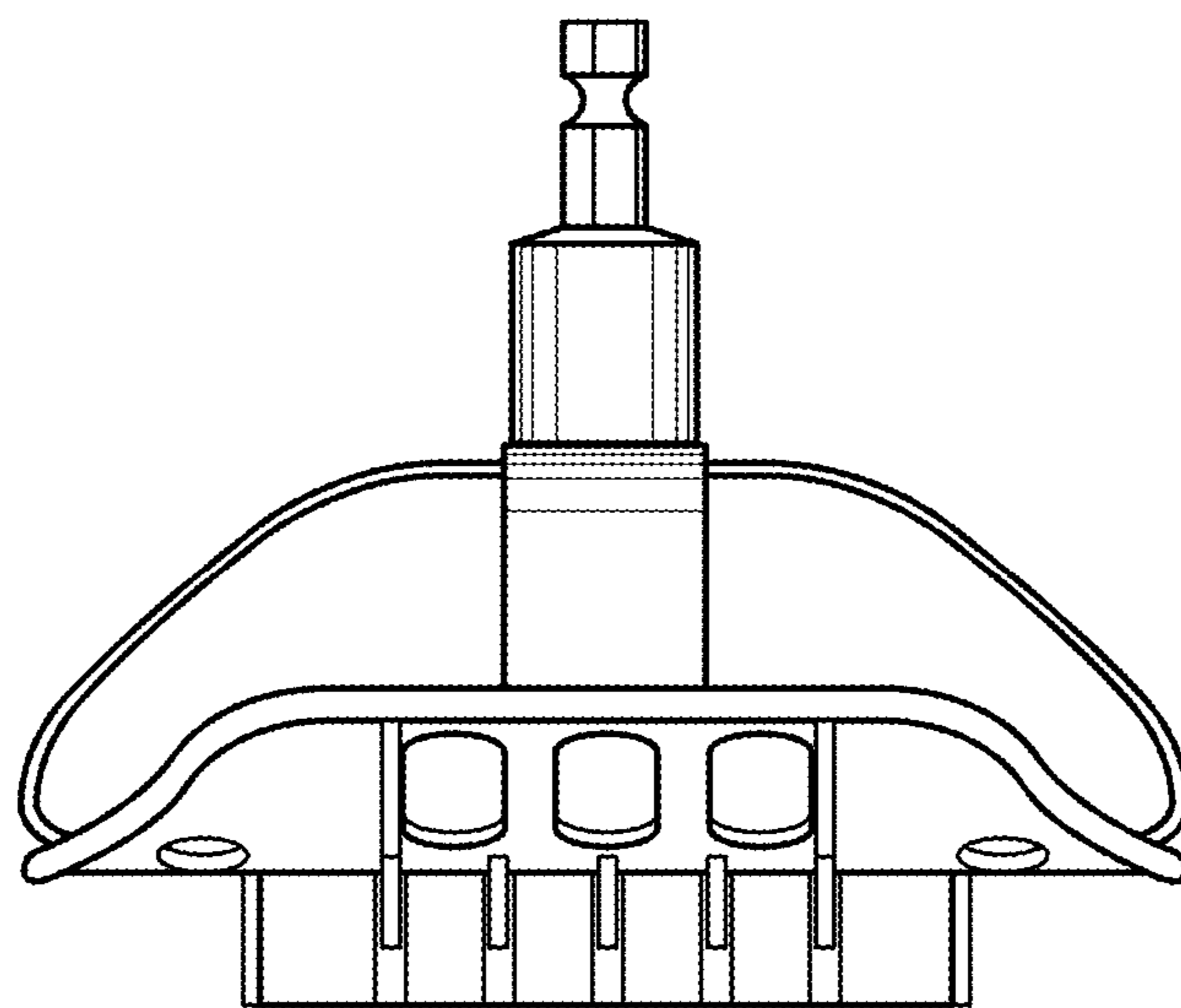


Fig. 5

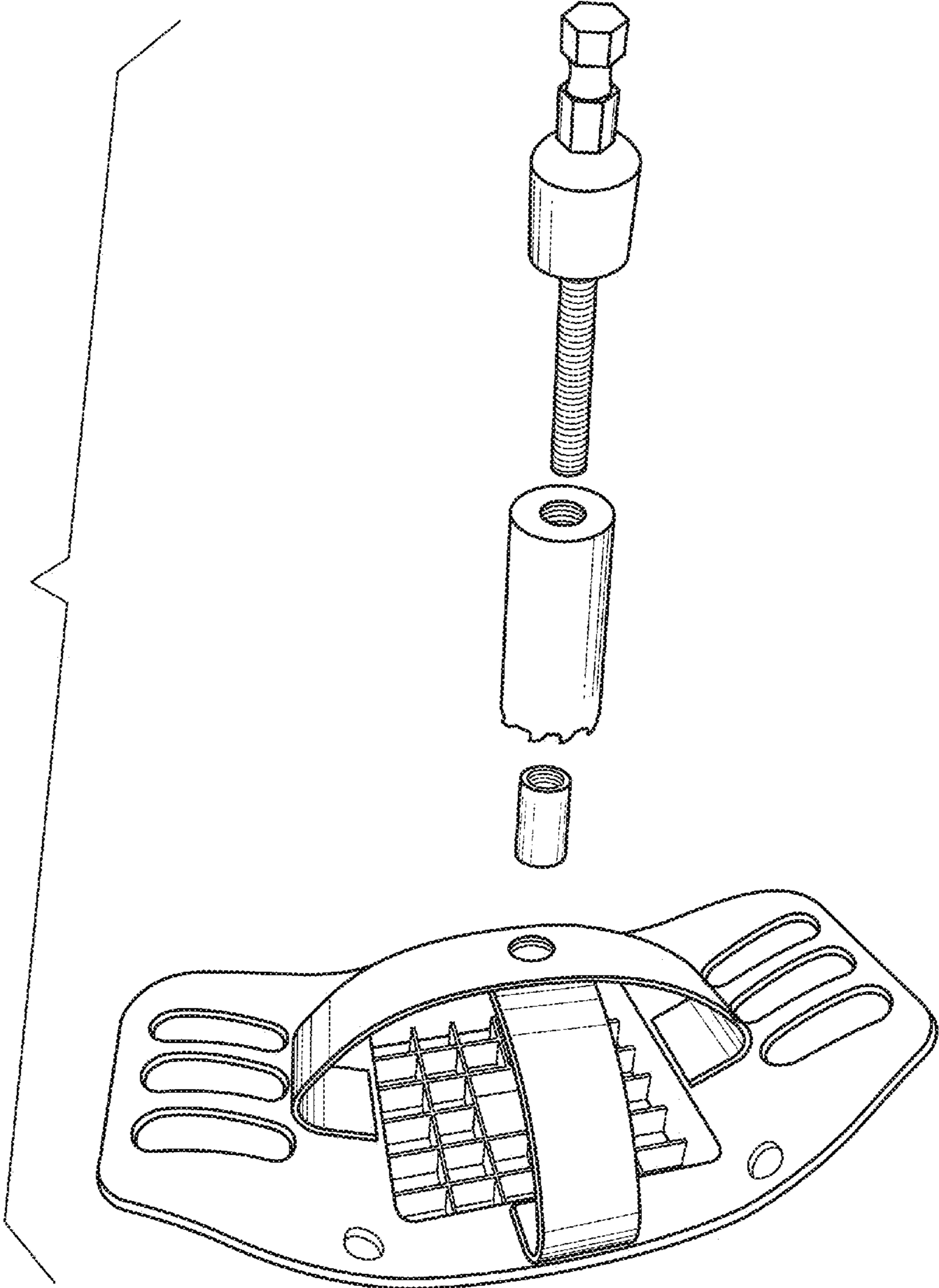


Fig. 6