

US00D770868S

(12) **United States Design Patent** (10) **Patent No.:** **US D770,868 S**
Repac (45) **Date of Patent:** **** Nov. 8, 2016**

(54) **FOOD SLICER PART**

(71) Applicant: **Genius GmbH**, Limburg (DE)

(72) Inventor: **Cedomir Repac**, Brechen (DE)

(73) Assignee: **GENIUS GMBH**, Limburg (DE)

(**) Term: **14 Years**

(21) Appl. No.: **29/526,047**

(22) Filed: **May 6, 2015**

Related U.S. Application Data

(63) Continuation of application No. 29/504,618, filed on Oct. 8, 2014.

(30) **Foreign Application Priority Data**

- Apr. 8, 2014 (EM) 002442400-0001
- Apr. 8, 2014 (EM) 002442400-0002
- Apr. 8, 2014 (EM) 002442400-0003
- Apr. 8, 2014 (EM) 002442400-0004
- Apr. 8, 2014 (EM) 002442400-0005
- Apr. 8, 2014 (EM) 002442400-0006
- Apr. 8, 2014 (EM) 002442400-0007
- Apr. 8, 2014 (EM) 002442400-0008
- Apr. 8, 2014 (EM) 002442400-0009
- Apr. 8, 2014 (EM) 002442400-0010
- Apr. 8, 2014 (EM) 002442400-0011
- Apr. 8, 2014 (EM) 002442400-0012
- Apr. 8, 2014 (EM) 002442400-0013
- Apr. 8, 2014 (EM) 002442400-0014
- Apr. 8, 2014 (EM) 002442400-0015
- Apr. 8, 2014 (EM) 002442400-0016
- Apr. 8, 2014 (EM) 002442400-0017
- Apr. 8, 2014 (EM) 002442400-0018
- Apr. 8, 2014 (EM) 002442400-0019
- Apr. 8, 2014 (EM) 002442400-0020
- Apr. 8, 2014 (EM) 002442400-0021

(51) **LOC (10) Cl.** **07-04**

(52) **U.S. Cl.**
USPC **D7/672**

(58) **Field of Classification Search**

USPC D7/672-678, 693; 30/403; 83/425.3, 83/656, 698.11

CPC A47J 43/25; A47J 43/00; B26D 7/01; B26D 7/06; B26D 1/00

See application file for complete search history.

(56) **References Cited**

U.S. PATENT DOCUMENTS

- D326,388 S * 5/1992 Boerner D7/673
- D354,886 S * 1/1995 Diefenbach D7/678

(Continued)

OTHER PUBLICATIONS

U.S. Appl. No. 29/524,045, filed Apr. 16, 2015.

(Continued)

Primary Examiner — Rosemary K Tarcza

Assistant Examiner — James Thorn, Sr.

(74) *Attorney, Agent, or Firm* — Leydig, Voit & Mayer, Ltd.

(57) **CLAIM**

The ornamental design for a food slicer part, as shown and described.

DESCRIPTION

FIG. 1 is a top front left perspective view of a food slicer part showing my new design;

FIG. 2 is a left side elevational view thereof;

FIG. 3 is a top plan top view thereof;

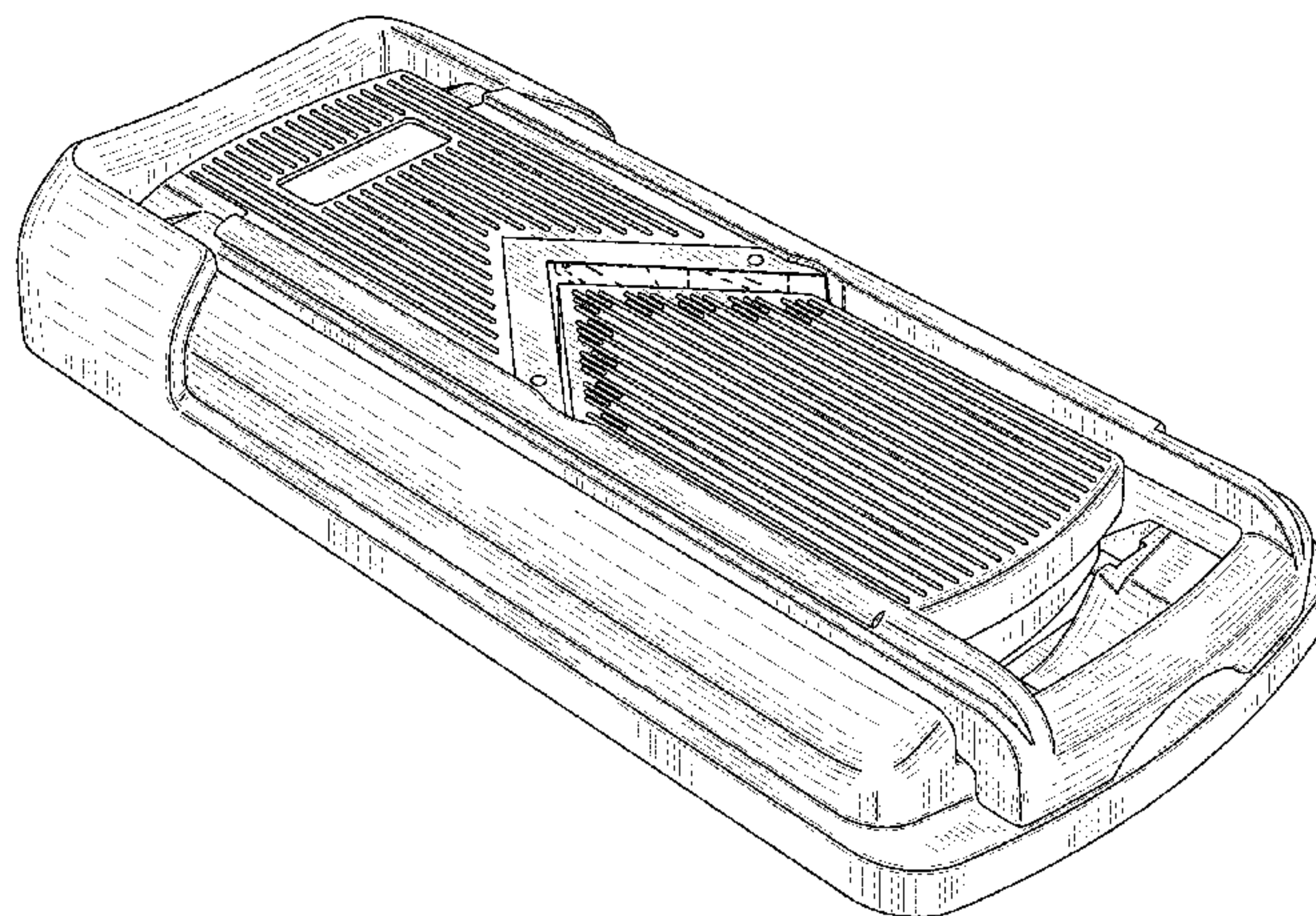
FIG. 4 is a right side elevational view thereof;

FIG. 5 is a front elevational view thereof; and,

FIG. 6 is a rear elevational view thereof.

Any broken lines in the drawings indicate unclaimed subject matter and/or environment and form no part of the claimed design.

1 Claim, 3 Drawing Sheets



(56)

References Cited

U.S. PATENT DOCUMENTS

5,692,424 A * 12/1997 Wallace A47J 36/00
83/167
5,711,491 A * 1/1998 Molo A47J 43/25
241/100
D393,576 S * 4/1998 Wong D7/678
D498,650 S * 11/2004 Boilen D7/678
D505,301 S * 5/2005 Wong D7/673
D512,609 S * 12/2005 Kaposi D7/672
7,066,071 B2 * 6/2006 Zeder B26D 3/283
30/278
D535,160 S * 1/2007 Ishii D7/673
D535,161 S * 1/2007 So D7/673
D548,547 S * 8/2007 Kaposi D7/672
D569,200 S * 5/2008 Chalfant D7/672
D574,675 S * 8/2008 Debuyer D7/673
D576,844 S * 9/2008 Sawhey D7/673
D577,266 S * 9/2008 Sawhney D7/673
D578,359 S * 10/2008 Sawhey D7/673
D578,836 S * 10/2008 Hood B26D 3/283
83/699.61
D579,737 S * 11/2008 Sawhey D7/673
D580,234 S * 11/2008 Hood D7/673
D581,220 S * 11/2008 Boerner D7/673
D596,467 S * 7/2009 de Buyer D7/673
7,621,207 B2 * 11/2009 Botsai B26D 3/283
83/648
D610,414 S * 2/2010 Boerner B26D 7/00
30/278
7,694,615 B2 * 4/2010 DiPietro B26D 3/283
D7/673
D618,517 S * 6/2010 Wong D7/672
D625,567 S * 10/2010 Wong D7/673
D625,568 S * 10/2010 Wong D7/673
D635,410 S * 4/2011 Repac D7/384
D642,875 S * 8/2011 Mah D7/673
7,992,476 B2 * 8/2011 Kaposi B26B 5/008
30/124
D650,642 S * 12/2011 Fung D7/673

D651,483 S * 1/2012 Bagley D7/673
D690,564 S * 10/2013 Tetreault D7/673
D708,917 S * 7/2014 Wong D7/672
D729,594 S * 5/2015 Stewart D7/673
D730,704 S * 6/2015 Repac D7/672
D744,294 S * 12/2015 Linder D7/629
D744,295 S * 12/2015 Linder D7/629
D744,793 S * 12/2015 Lipscomb D7/673
2004/0217219 A1 * 11/2004 Bitonto A47J 43/255
241/95
2006/0090352 A1 * 5/2006 Kaposi B26B 5/008
30/299
2006/0123639 A1 * 6/2006 Boerner B26D 3/283
30/404
2007/0062349 A1 * 3/2007 Ishii B26D 3/283
83/13
2007/0089577 A1 * 4/2007 Wong B26D 3/283
83/13
2008/0257128 A1 * 10/2008 Reimann D7/673
2009/0078100 A1 * 3/2009 Repac B26D 1/553
83/425.3
2009/0255391 A1 * 10/2009 Hood B26D 3/283
D7/693
2010/0031830 A1 * 2/2010 Engdahl B26D 1/553
99/538
2010/0037471 A1 * 2/2010 Repac B26D 3/283
30/279.6
2010/0116153 A1 * 5/2010 Chen B26D 3/283
30/278
2010/0122465 A1 * 5/2010 Holmes A47J 43/25
30/275.4

OTHER PUBLICATIONS

U.S. Appl. No. 29/524,642, filed Apr. 22, 2015.
U.S. Appl. No. 29/526,739, filed May 13, 2015.
U.S. Appl. No. 29/526,743, filed May 13, 2015.
U.S. Appl. No. 29/526,041, filed May 6, 2015.
U.S. Appl. No. 29/526,744, filed May 13, 2015.
U.S. Appl. No. 29/504,618, filed Oct. 8, 2014.

* cited by examiner

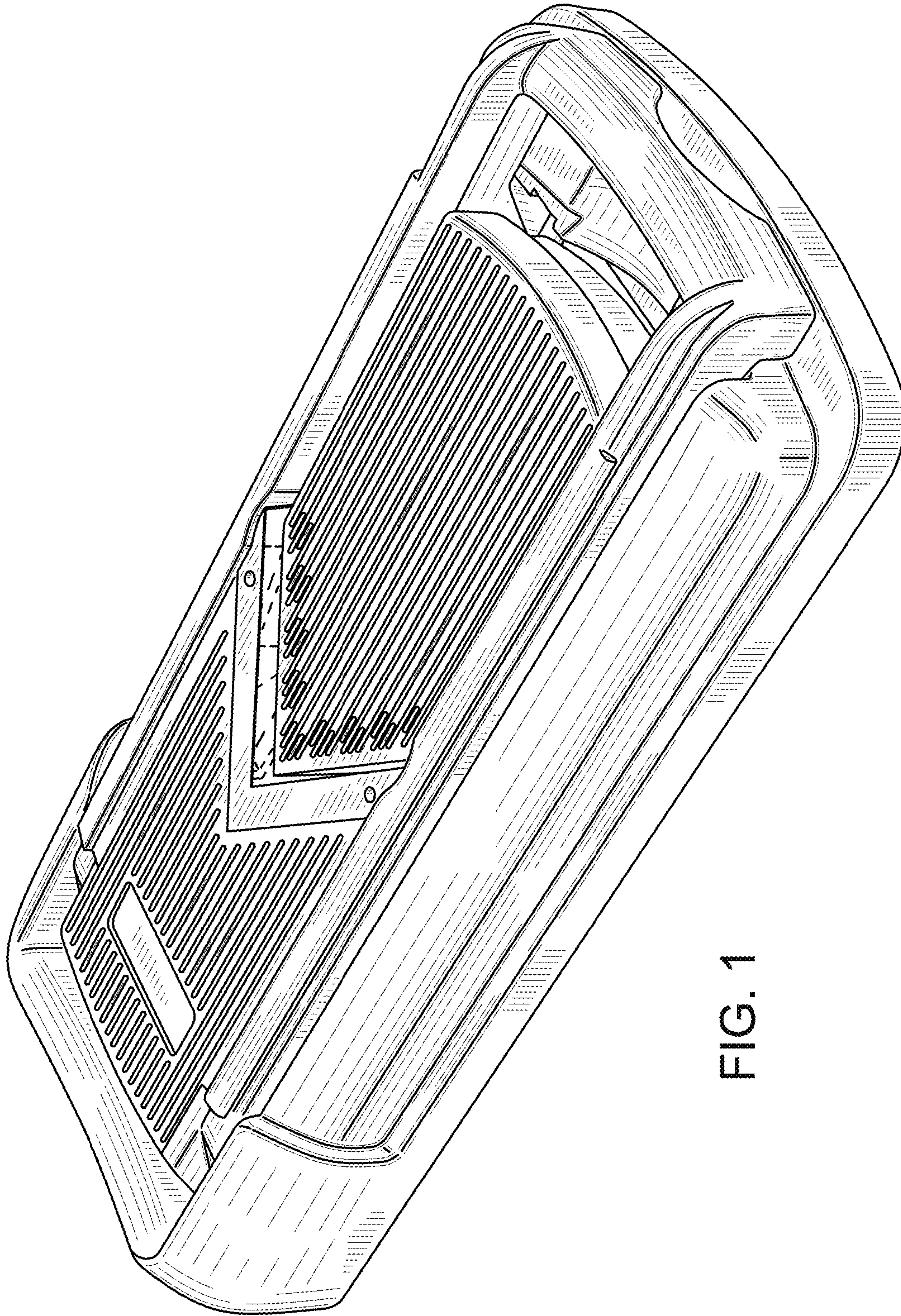


FIG. 1

FIG. 2

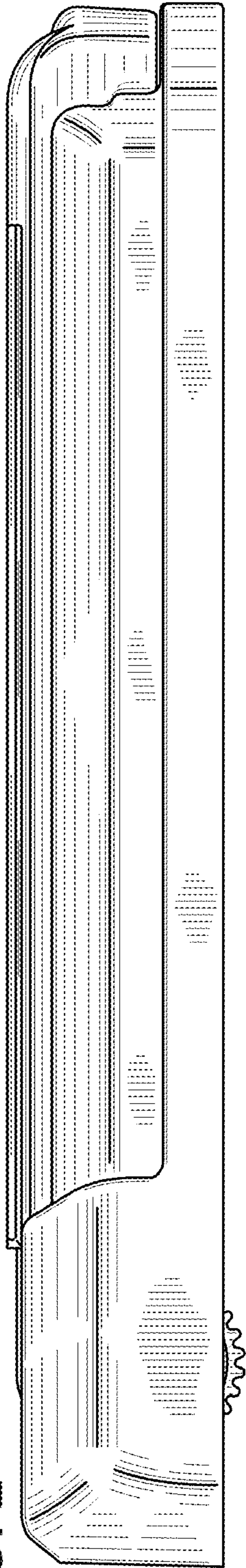
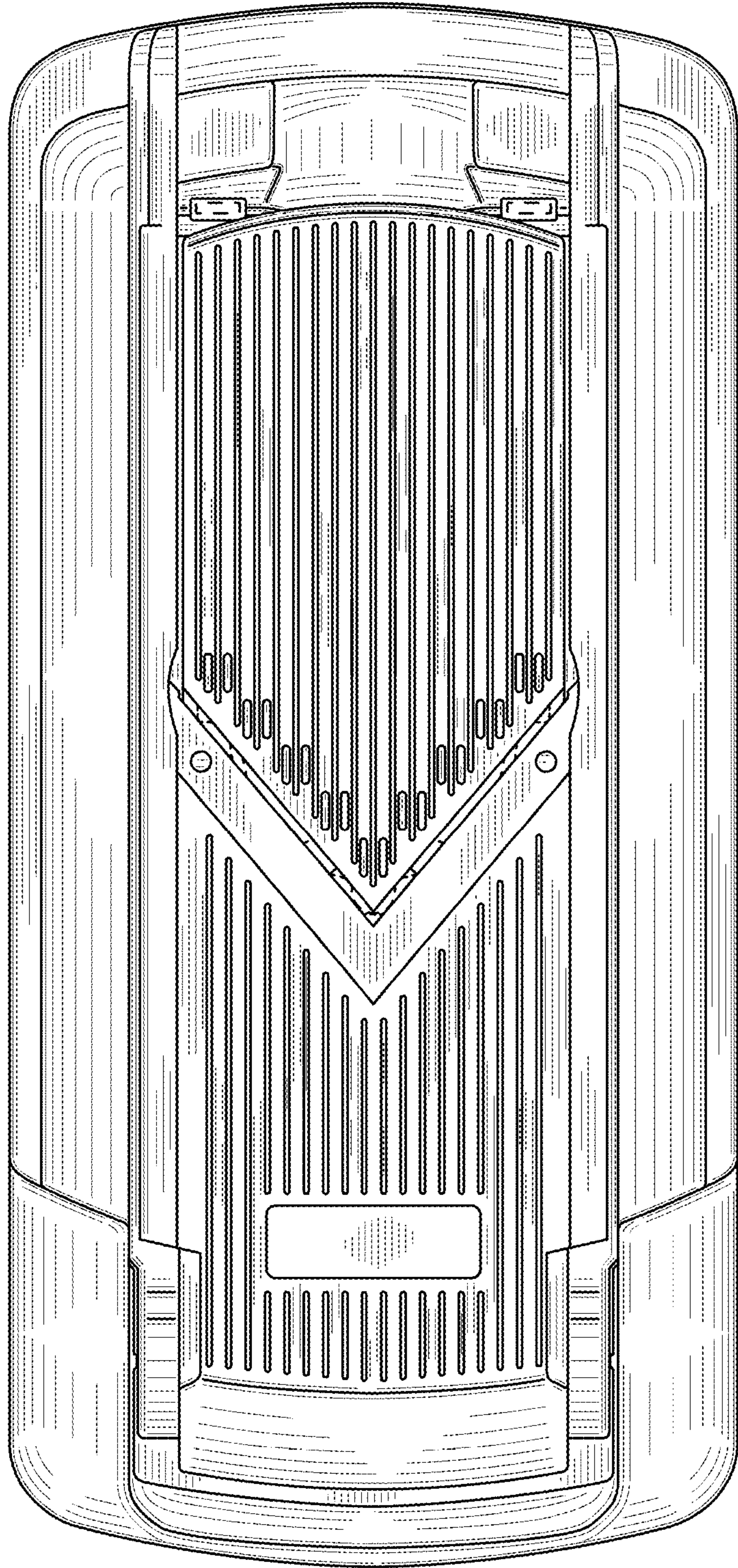


FIG. 3



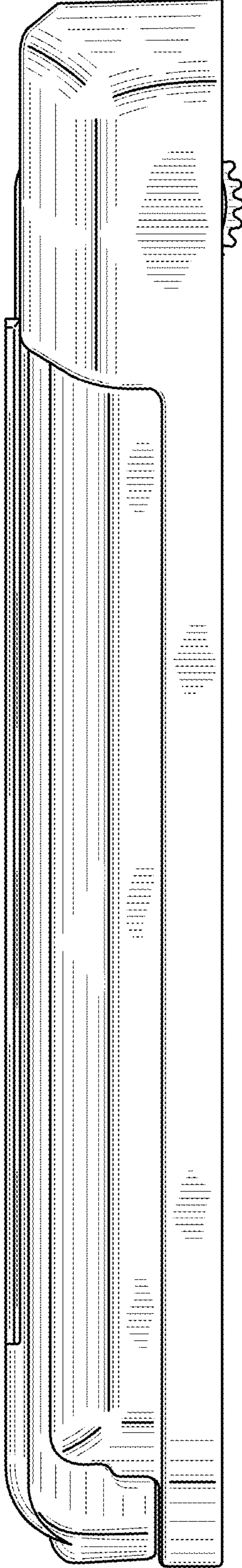


FIG. 4

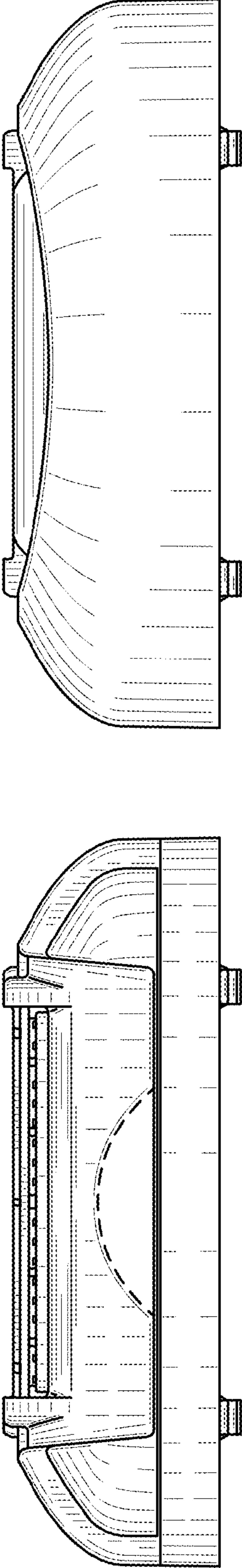


FIG. 5

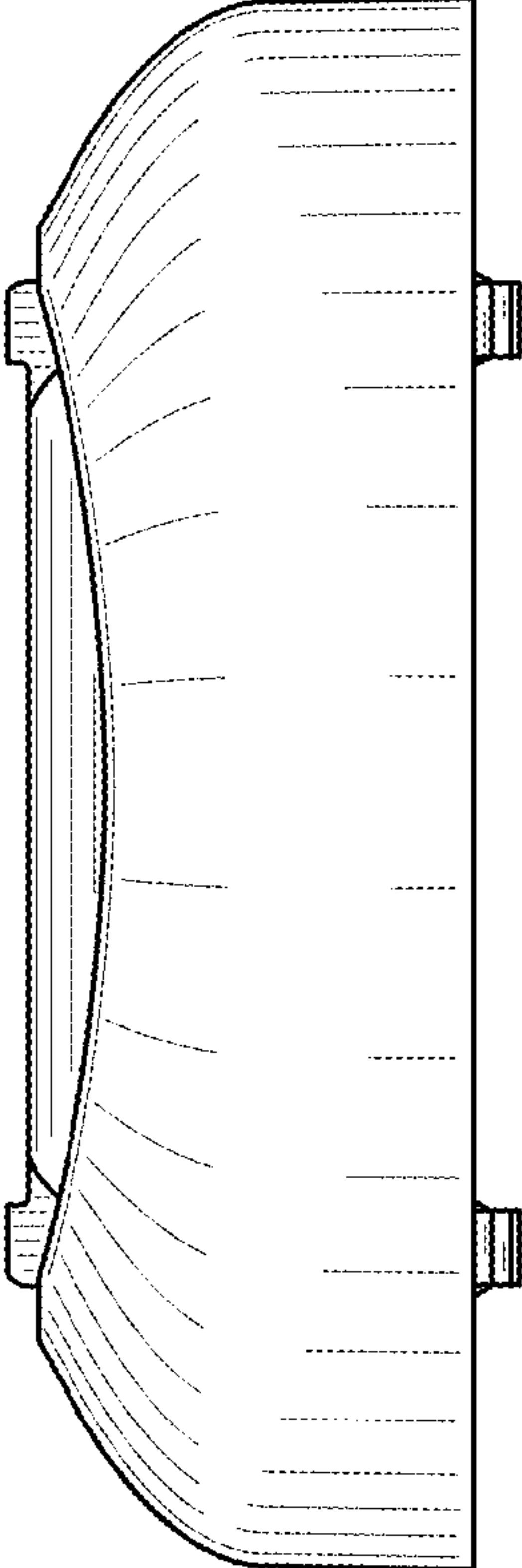


FIG. 6